

HOW TO USE MICROFICHE PARTS CATALOGUE

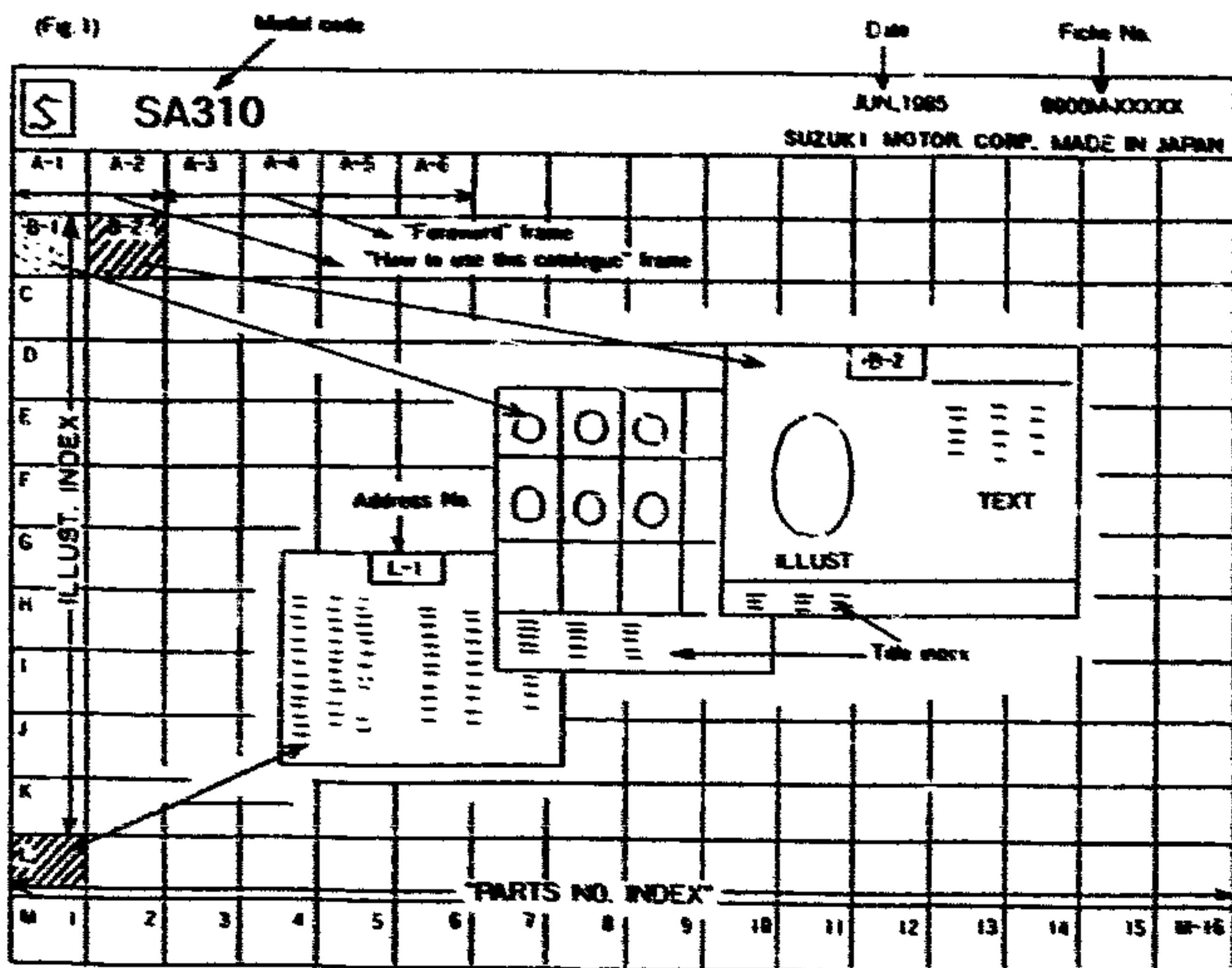
The microfiche parts catalogue we have newly prepared (hereinafter referred to as MICROCATALOGUES) have the same contents as those contained in the usual book-type parts catalogues.

If you have a microfiche reader (hereinafter referred to as READERS), you can read the information contained on the microfiche film you have, but you will still be faced with the problem of how to find the wanted film CATALOGUES, the contents are arranged according to a certain rule, and if you learn this rule by heart, any frame of the microfiche film, containing the wanted information, can be found quickly, with the use of the index plate which is attached to the READER.

It is important that you always use the index plate when looking for a certain frame in the microfiche film.

A. Composition of the MICROCATALOGUES

Now, you are going to learn the arranging "rule" of information in the MICROCATALOGUES, the "rule" determining which kinds of information are located at which parts of the microfiche films in the MICROCATALOGUES with the help of the drawing below



Let us explain Fig. 1

- 1) Our MICROCATALOGUES consist of microfiche films each having 208 frames arranged in 13 horizontal rows (columns A through M) by 16 vertical columns (row 1 through 16).
- 2) The top space above the horizontal row A is the title space where the model code, catalogue date, and other information are printed.
- 3) File Number  
Since each microfiche film contains only up to 416 pages of the book catalogues, two, three or more films are sometimes required to contain a complete catalogue. In these cases, each microfiche film composing a certain MICROCATALOGUE is identified by a consecutive file number printed at the upper right hand corner.
- 4) Date  
The date on which the MICROCATALOGUE is prepared is indicated.
- 5) "How to use this catalogue"  
The frames identified by the address Nos. A-1, A-2 and A-3 contains the explanation on how to use the MICROCATALOGUE.
- 6) Foreword  
The frames identified by the address Nos. A-4 and A-5 contain the same foreword as contained in the book-form catalogues.
- 7) Illust. index  
All the frames in the leftmost vertical column except the top one (B-1 through K-1) contain illustration indexes. Each index contains all the illustrations belonging to the respective blocks such as the engine block, electric block, and frame block, in reduced forms extracted from the MICROCATALOGUE proper, with the relevant titles and address Nos. shown.
- 8) Title index  
In the space below the array of reduced illustration pages in each of the illustration index frames, the titles and the related address Nos. of all the reduced illustration pages shown in the upper space of that frame are listed to serve as title indices. The same title indices are also listed in the lower space of each of the illustrated text frames.
- 9) Parts No. index  
All the frames in the bottom horizontal column (M-1 through M-16, or both of L & M in case of two microfiches existed) are for parts No. indices. All the parts Nos. contained in the MICROCATALOGUE are arranged orderly together with the respective address Nos.

## B. Indexing system

Along with information contained in microfiche films, the indexing system is a major factor. In our MICROCATALOGUES, the following three indexing systems are utilized:

### B-1 Indexing systems

#### 1) Illust. index

The illust. indices are for finding parts of which the shapes are known.

NOTE: Sometimes, small parts are difficult to indentify in the illustrations by their shapes. For these parts, you should look for some larger parts to which the parts in question are attached.

#### 2) Title index

This index system is for finding parts when the name of the principal parts to which they are related is known.

NOTE:1 For the titles of the illustration pages, only the name of the most representative piece in the page is adopted (for example, the name of an asssembly part).

This means that the names of most small parts cannot be found in the parts name index list. You must always look for a major part to which the wanted parts belong, when looking for these parts, using the part name index list.

NOTE:2 When there are more titles than the title index space of one frame can accept in one catalogue, the titles are divided into several blocks (ex., engine block, frame block, etc.).

#### 3) Parts No. Index

This index system is for finding parts when the part Nos. are known.

### B-2 Indexing procedures

Now, let us explain the procedure for finding wanted frames with the help of the three indexing systems.

#### a. Finding wanted parts in the MICROCATALOGUE

##### a-1 How to find the parts Nos. of parts of which the shapes are known.

##### Procedure 1

Shift the fiche carrier until the B-1 square on the index plate is brought directly under the carrier needle.

##### Procedure 2

Now, the illust. index printed in the frame B-1 is projected on to the screen. Try to find an illustration in which the wanted part is shown, among the array of reduced illustrations projected.

##### Procedure 3

If you found an illustration in which the wanted part is shown, go on to Procedure 4. If the wanted part is not found in any of the illustrations in the frame B-1, shift the fiche carrier to C-1 and try to find an illustration in which the wanted part is shown among the arrayed reduced illustrations. If the wanted part is not found in any of the reduced illustrations, shift the fiche carrier to D-1, then to E-1 and so on to K-1.

##### Procedure 4

Make a note of the address No. of the illustration in which the wanted part is shown.

##### Procedure 5

Shift the fiche carrier until the square corresponding to the address No. found in the procedure 4 or 9 is brought under the carrier needle.

##### Procedure 6

Check the address No. of the projected square.

##### Procedure 7

Look for the wanted part in the illustration on the left half of the screen, and read the identification number of this part.

##### Procedure 8

Look for the obtained identification number in the text page in the right of the screen, and read the relevant information. This is how one part is found with the help of the illust. index system.

a-2 To find another part proceed as follows:

- 1) If the shape of the next wanted part is known, again project the frame B-1 and go through the procedures 2 through 9.
- 2) If the name of the next wanted part is known, try to find the address No. in the title index list shown in the lower portion of the screen, and carry out the procedures 5. (Title index)
- 3) If the part No. of the next wanted part is known, project the L-1 or M-1 frame and read the address No. corresponding to the known part No. Then, carry out the procedures 5. (Part No. index)

Make full use of the three index systems in each case as explained above.

NOTE: After reading the required information, you should switch off the READER and put the microfiche back in the file.

**PREFACE**

When it becomes necessary to replace parts on SUZUKI MOTORCYCLES, always use SUZUKI GENUINE PARTS which have passed a strict inspection which guarantees quality and performance.

This parts catalogue covers the list of all service parts for SUZUKI GSX-R1100M, GSX-R1100N.

**INSTRUCTIONS FOR QUOTING THE CATALOGUE**

**1. DIMENSIONS**

Dimensions of the parts in this catalogue are indicated in unit millimeters.

**2. ABBREVIATIONS**

Abbreviations used in this catalogue are as follows:

AR	: As required	NT	: Number of teeth
ASSY	: Assembly	OPT	: Optional
E.No.	: Engine number	OS	: Over size
F.No.	: Frame number	STD	: Standard
d	: Diameter of material	T	: Thickness
ID	: Inside diameter	US	: Under size
OD	: Outside diameter	W	: Width

- L : Length
- LH : Left hand side
- RH : Right hand side

-100045 : Up to F.No.GV73A-100045

100046~ : From F.No.GV73A-100046

12 x 34 x 5.6 ..... Figures in the description column show the dimensions of parts.

ID    OD    T(or W,L)

**3. INNER PARTS OF ASSEMBLY**

Part name with a dot (.) in front as shown in the description column indicates the component of the assembly also available individually.

**4. MODIFICATION NOTICE**

A parts bulletin will be sent to you on all occasions when changes in parts occur, including interchangeable modifications between new parts and old ones.

**5. NOTE**

- 5-1. There are some different parts from those of production models among spare parts for the administrative reasons and common use of them with other models.
- 5-2. In respect of rubber hoses and vinyl tubes, please be sure to use them by cutting off according to the length mentioned on parts catalogue or what is actually required on the vehicle.
- 5-3. Note that the drawings on the illustration page are for ready reference of spare parts number, not to be used as an assembly manual. When assembling, use "SUZUKI SERVICE MANUAL".

**6. SERIAL FRAME NUMBER**

GSX-R1100M : JS1GV73A M2100001-

GSX-R1100N : JS1GV73A N2100001-

PREFACE

Quand il devient nécessaire de remplacer des pièces sur SUZUKI MOTOCYCLETTES toujours utiliser les PIÈCES D'ORIGINE SUZUKI qui ont été soumises à des contrôles de qualité sévères leur garantissant qualité et performance impeccables.

Ce catalogue de pièces détachées couvre la liste de toutes les pièces de rechange pour SUZUKI GSX-R1100M, GSX-R1100N.

INSTRUCTIONS POUR UTILISER LE CATALOGUE

1. DIMENSIONS

Les dimensions des pièces dans ce catalogue sont indiquées en unités de millimètres.

2. ABREVIATIONS

Les abréviations utilisées dans ce catalogue sont les suivantes:

AR	: Comme requis	NT	: Nombre de dents
ASSY	: Assemblage	OPT	: Sur option
E.No.	: Numéro du moteur	OS	: Sur-dimensionné
F.No.	: Numéro du châssis	T	: Epaisseur
ID	: Diamètre intérieur	US	: Sous-dimensionné
OD	: Diamètre extérieur	W	: Largeur

L : Longueur  
 LH : Côté gauche  
 RH : Côté droit

-100045 : Jusqu'à F.No.GV73A-100045

100046- : Depuis F.No.GV73A-100046

$\frac{12}{|}$  x  $\frac{34}{|}$  x  $\frac{5.6}{|}$  ..... Les chiffres dans la colonne  
 remarques montrent les dimensions  
 des pièces comme suit.

ID    OD    T(or W,L)

3. PIECES INTERNES DE L'ASSEMBLAGE

Les numéros de pièces qui comportent un point (.) avant la désignation de pièce détachée indique la pièce interne se rapportant à l'assemblage.

4. AVIS DE MODIFICATION

Un bulletin de pièces détachées vous sera envoyé à tout moment opportun quand des changements de pièces ont lieu, y compris les modifications de pièces interchangeables entre les nouvelles et anciennes pièces.

5. A NOTER

- 5-1. Il existe certaines pièces différentes de celles de rechange pour les modèles de production vu des raisons administratives et dont l'usage est commun avec celles d'autres modèles.
- 5-2. Concernant les durites en caoutchouc et les tuyaux en vinyle, ne pas manquer de les couper à la bonne longueur comme indiqué dans le catalogue des pièces détachées ou selon ce qui est utile pour le véhicule affecté.
- 5-3. Noter que les dessins à la page d'illustration servent à titre de référence pour les numéros de pièces détachées, et non pas comme référence pour l'assemblage. Pour cette dernière opération, se reporter au "MANUEL D'ENTRETIEN SUZUKI".

6. NUMERO DE SERIE DU CADRE

GSX-R1100M : JS1GV73A N2100001-

GSX-R1100N : JS1GV73A N2100001-

**COLOR CHART**  
**TABLEAU DES COULEURS**  
**CUADRO DE COLORS**  
**FARBTABELLE**

COLOR NO. NO DE COULEUR NO.DE COLOR FARBCODE	COLOR DESCRIPTION DESCRIPTION DE COULEUR DESCRIPCIÓN DE COLOR FARBESCHREIBUNG	COLOR NO. NO DE COULEUR NO.DE COLOR FARBCODE	COLOR DESCRIPTION DESCRIPTION DE COULEUR DESCRIPCIÓN DE COLOR FARBESCHREIBUNG
C11	ONE.0PP.0JW	OPR	T.SPARKLE BLACK
C69	0FP.0PR.33J	OYX	PRL STILL WHITE
E88	33J.24K	019	BLACK
E95	ONE.28V.0JW	1DR	MB.ATOM PURPLE
F75	28V.0FP	1GT	T.OFF SIDE BLUE
H03	33J.28V.0FP	1LE	PRL SUZUKI MEDIUM BLUE
H38	0JW.0MA	1LF	PRL SUZUKI DEEP BLUE
L99	0JW.1LF	1LW	T. OFF SIDE BLUE NO.2
M07	0JW.1LF.764	1MA	GRADATION 750R NO.2
M08	33J.39J.764	1MD	GRADATION 750R NO.5
M09	33J.0FP.764	1MF	GRADATION 1100R NO.1
M11	1LF.1GT.764	1MG	GRADATION 1100R NO.2
M12	39J.0FP.764	1MH	GRADATION 1100R NO.3
M13	1LE.764	1MJ	SPECTRUM BLUE M/T
M14	39J.764	1MM	GRADATION 1100R NO.4
M15	0FP.1LW	1MN	GRADATION 1100R NO.5
0FP	TRADITIONAL SILVER METALLIC	1MP	GRADATION 1100R NO.6
0JW	PEARL STILL WHITE	12R	TIGHT SILVER METALLIC
0MA	STILLWHITE	13L	BRIGHT SILVER METALLIC
ONE	PARSECBLUE.NO.2	24K	LIGHT CHARCOAL METALLIC
ONG	EUROPEANBLUE.NO.2	28V	MARBLE ITALIAN RED
OPP	T.SPARKLE RED	28W	SPECIAL WHITE

**COLOR CHART**  
**TABLEAU DES COULEURS**  
**CUADRO DE COLORS**  
**FARBTABELLE**

COLOR NO. NO DE COULEUR NO.DE COLOR FARBCODE	COLOR DESCRIPTION DESCRIPTION DE COULEUR DESCRIPCIÓN DE COLOR FARBESCHREIBUNG	COLOR NO. NO DE COULEUR NO.DE COLOR FARBCODE	COLOR DESCRIPTION DESCRIPTION DE COULEUR DESCRIPCIÓN DE COLOR FARBESCHREIBUNG
291	BLACK (SEMI-GLOSS)		
3EE	33J.28V		
3SL	0JW.ONG		
3SR	ONE.ONG		
3WC	0FP.33J		
33J	PEARL NOVELTY BLACK		
36X	PEARL NOVELTY BLACK		
39J	MARBLE ROUGE RED		
58R	BLACK		
764	GOLD (TAPE)		
84N	019.291		

**MILLIMETER → INCH CONVERSION CHART**  
**TABLEAU DE CONVERSION DE MILLIMETRES → POUCES**  
**CUADRO DE CONVERSION A UNIDAD DE MILIMETRO → PULGADA**  
**MILLIMETER → ZOLL UMRECHNUNGSTABELLE**

	0	1	2	3	4	5	6	7	8	9
00	.000	.039	.079	.118	.157	.197	.236	.276	.315	.354
10	.394	.433	.472	.512	.551	.591	.630	.669	.709	.748
20	.787	.827	.866	.906	.945	.984	1.024	1.063	1.102	1.142
30	1.181	1.220	1.260	1.299	1.339	1.378	1.417	1.457	1.496	1.535
40	1.575	1.614	1.654	1.693	1.732	1.772	1.811	1.850	1.890	1.929
50	1.969	2.008	2.047	2.087	2.126	2.165	2.205	2.214	2.283	2.323
60	2.362	2.402	2.441	2.480	2.520	2.559	2.598	2.638	2.677	2.717
70	2.756	2.795	2.835	2.874	2.913	2.953	2.992	3.031	3.071	3.110
80	3.150	3.189	3.228	3.268	3.307	3.346	3.386	3.425	3.465	3.504
90	3.543	3.583	3.622	3.661	3.701	3.740	3.780	3.819	3.858	3.898

How to read  
 Mode de lecture  
 Modo de leer  
 Anleitung

	0	1	2	3	4
00	---	---	---	---	---
10	---	---	---	---	---
20	---	---	---	0.906	---
30	---	---	---	---	---

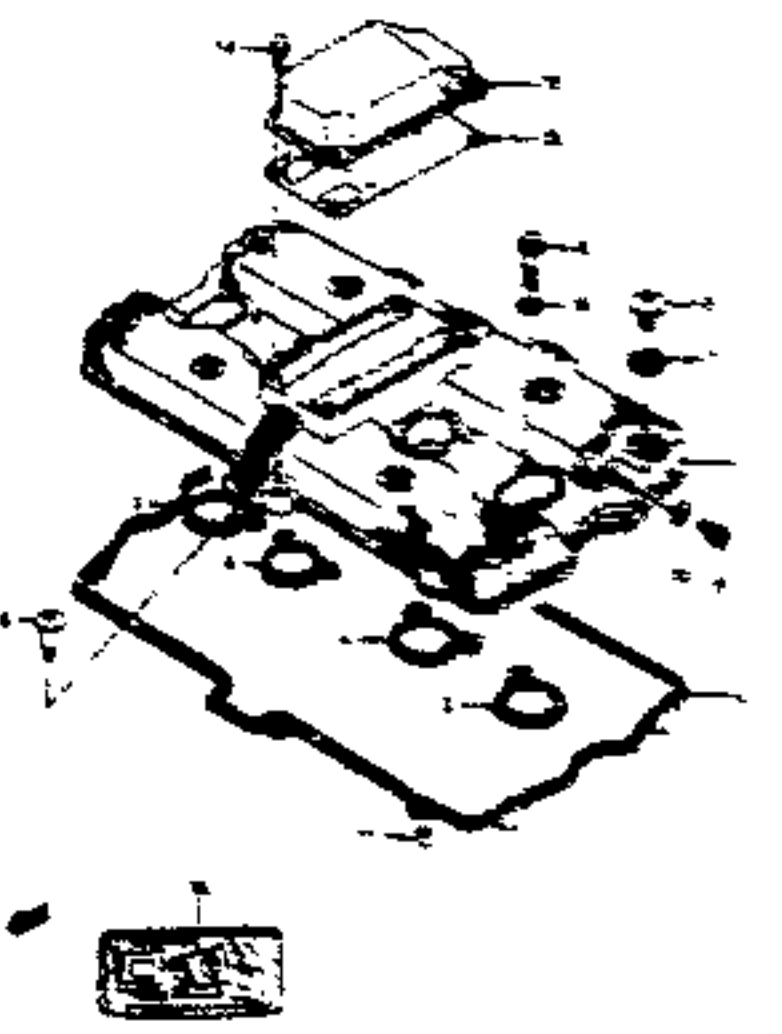

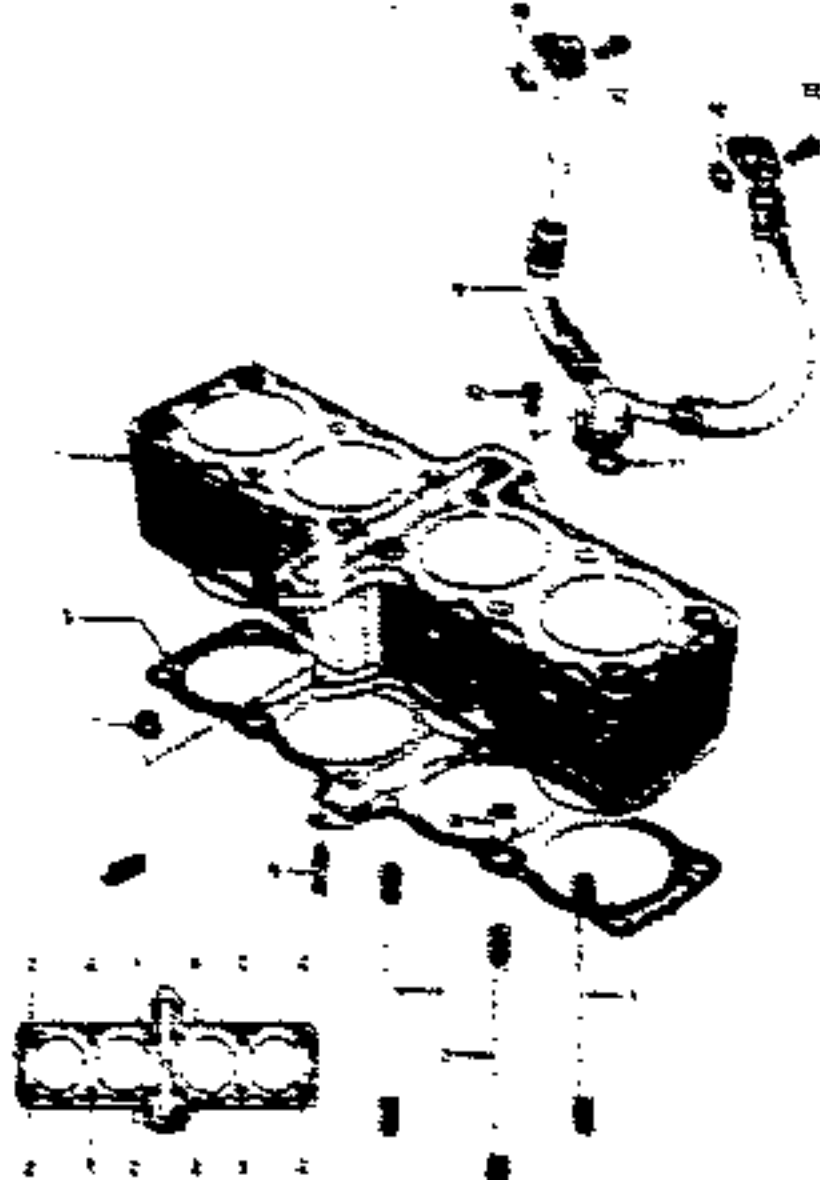
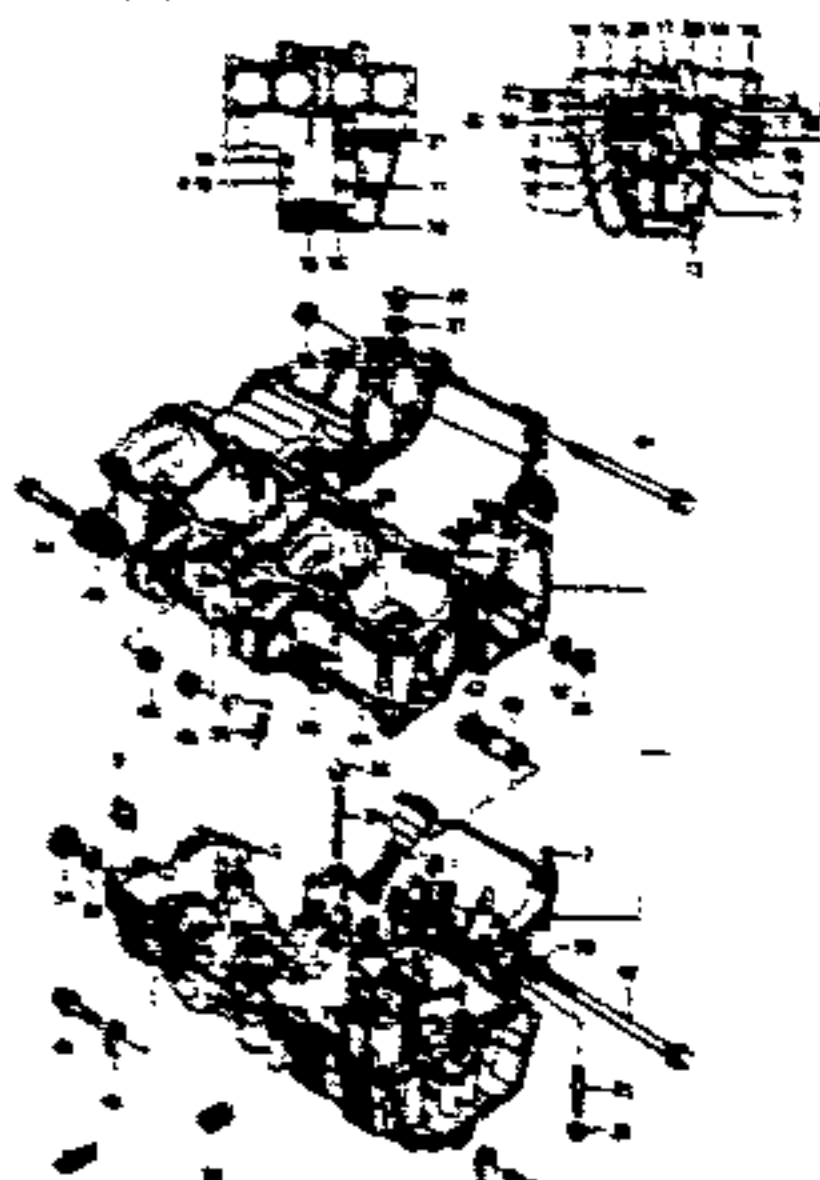

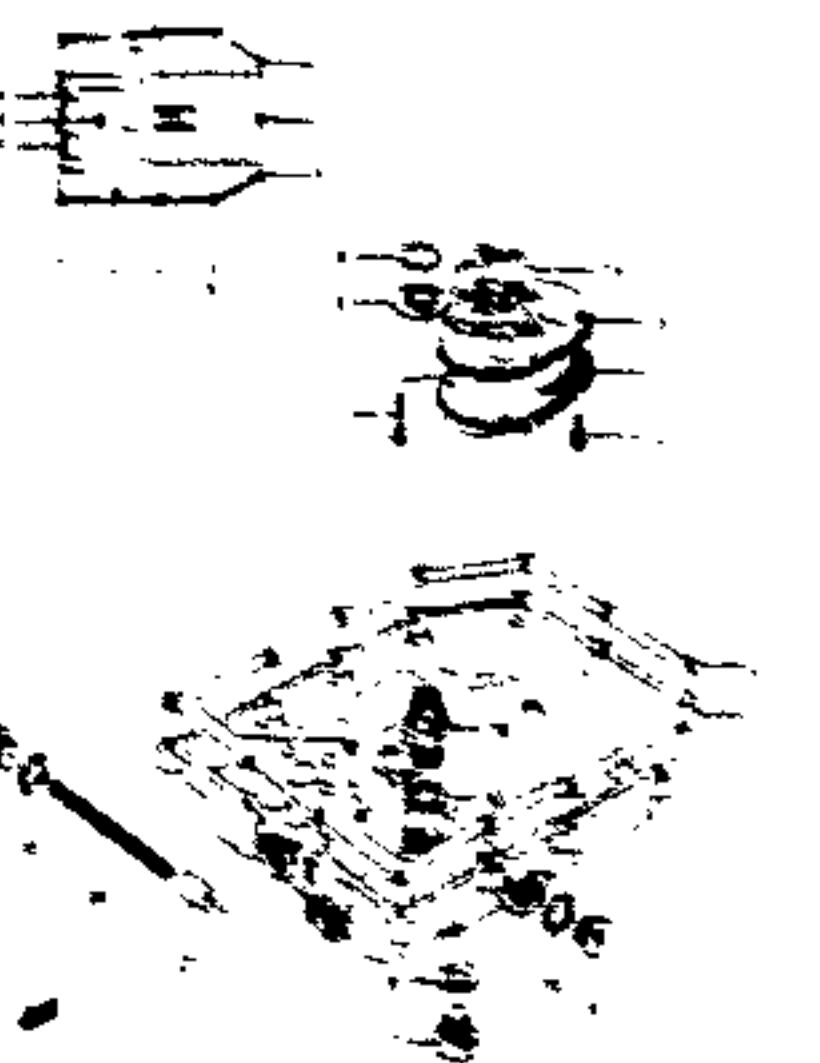

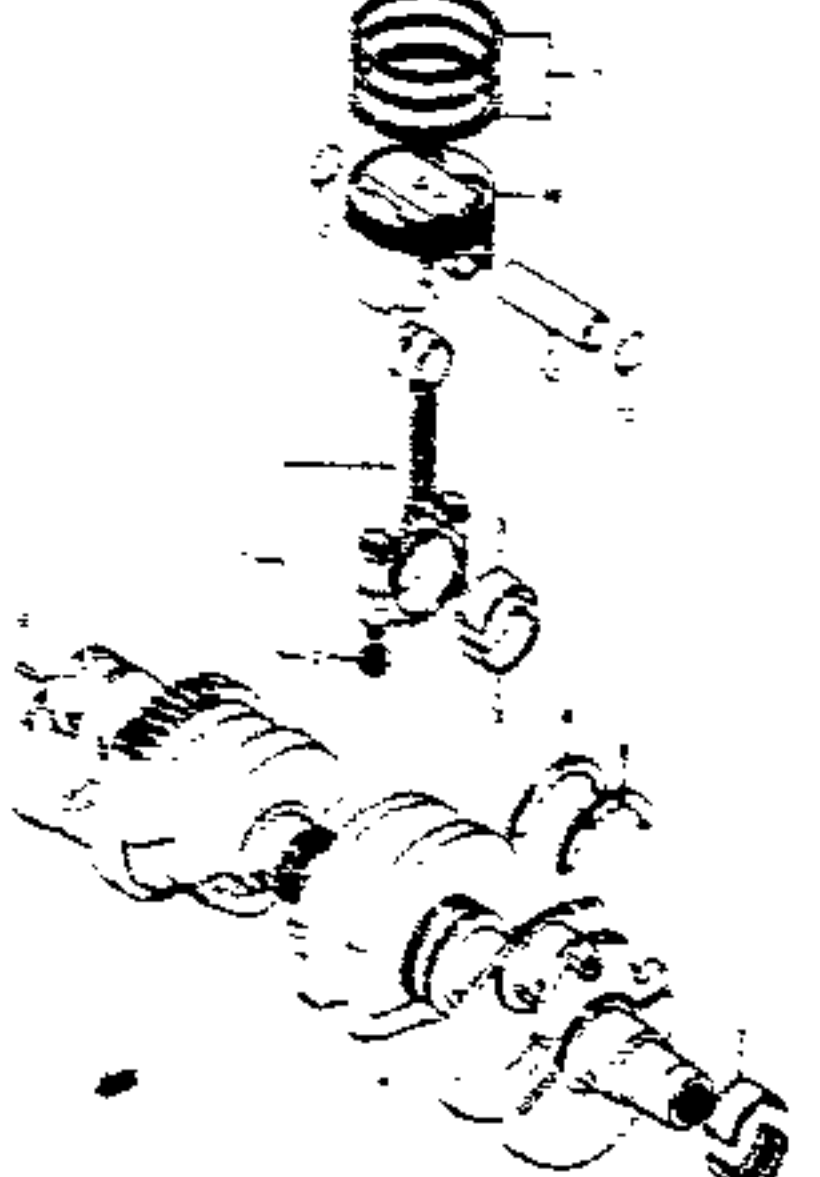

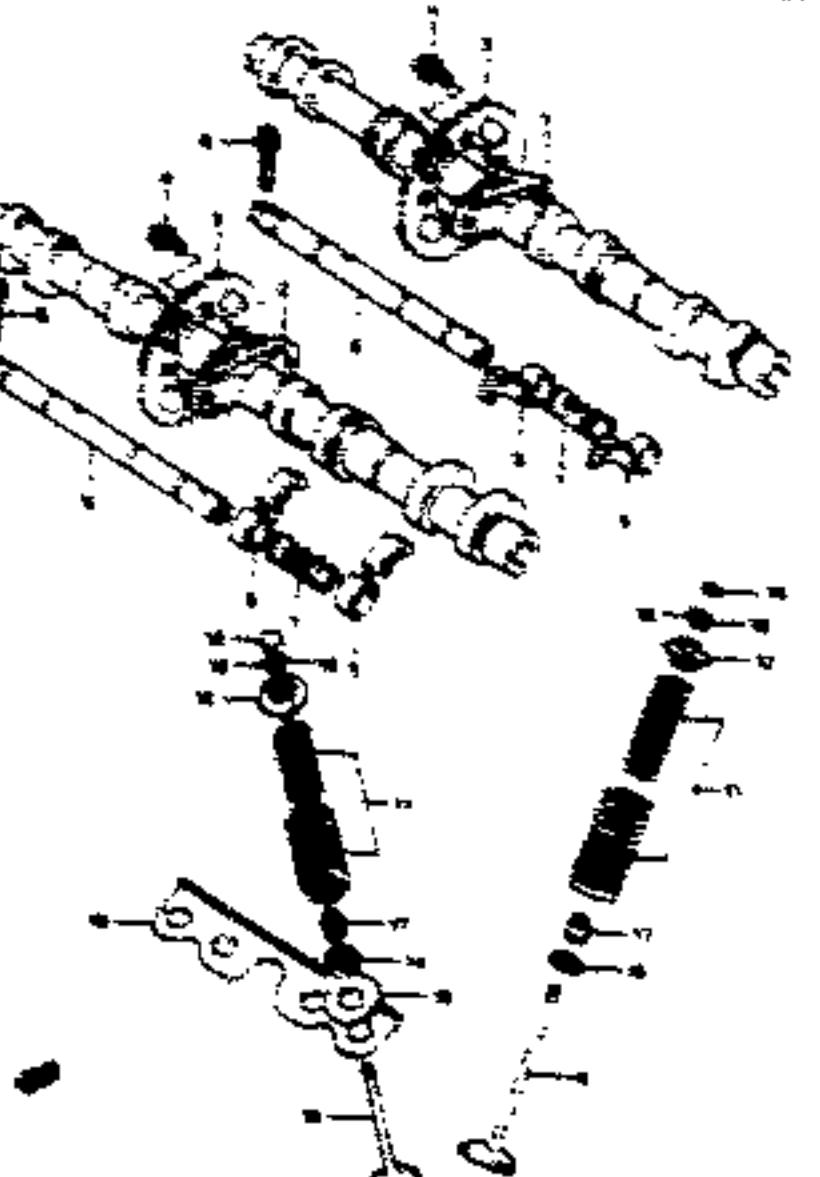

23 millimeters equal 0.906 inch  
 23 millimètres égalent 0.906 pouce  
 23 milímetros = 0.906 pulgada  
 23 millimeter entspricht 0.906 zoll

Contents are subject to change without notice or obligation.

Les matières traitées sont susceptibles d'être modifiées sans préavis obligation de notre part.

El contenido está sujeto a modificaciones sin previo aviso.

Änderungen vorbehalten.

<p>CYLINDER HEAD COVER B-2</p> 	<p>CYLINDER HEAD B-3</p> 	<p>CYLINDER B-4</p> 	<p>CRANKCASE B-5</p> 	<p>CRANKCASE COVER B-7</p> 	<p>OIL PAN B-8</p> 
<p>OIL PUMP B-9</p> 	<p>CRANKSHAFT B-10</p> 	<p>STARTER CLUTCH B-11</p> 	<p>CAM SHAFT / VALVE B-12</p> 	<p>CAM CHAIN B-14</p> 	

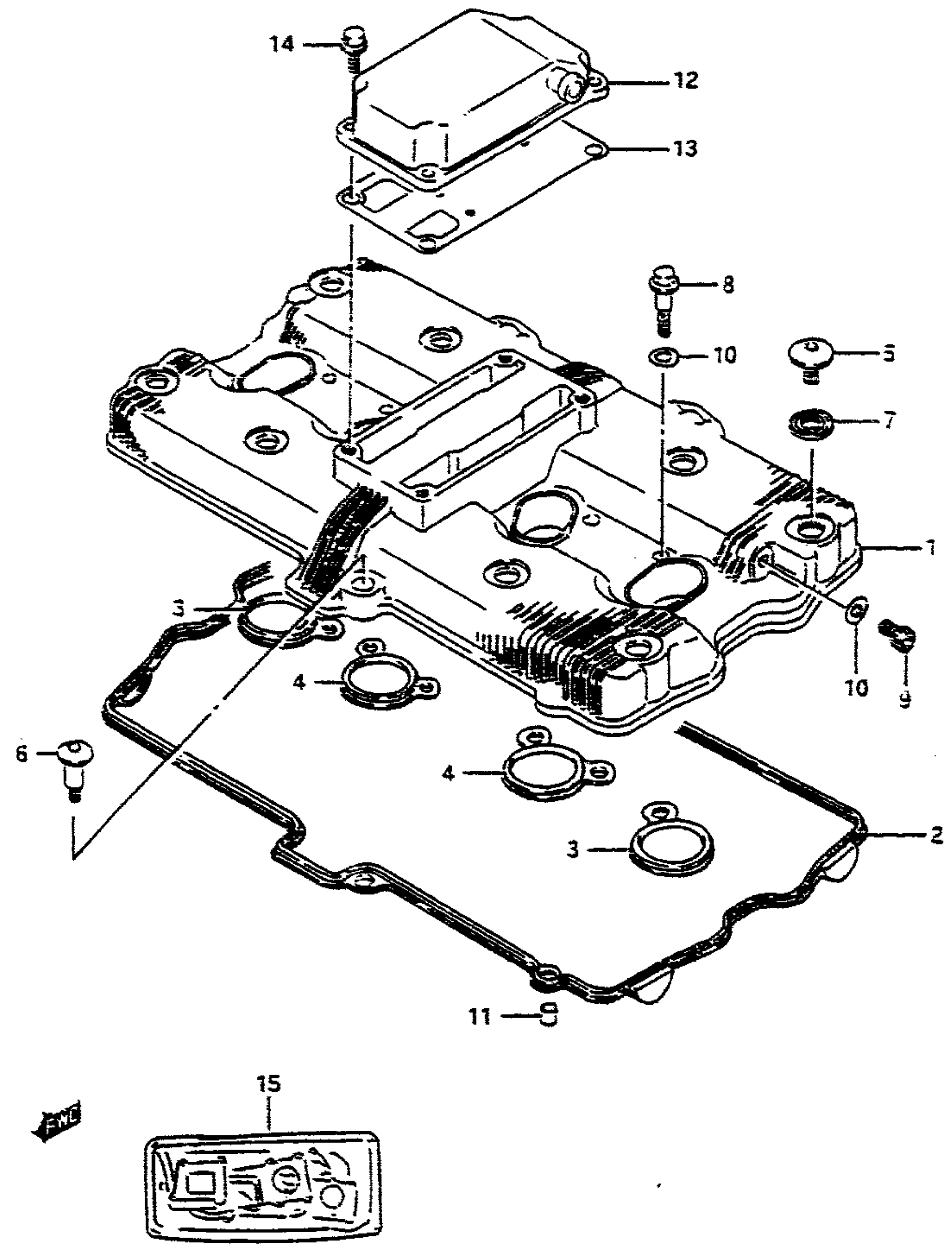
AIR CLEANER.....C-5	CLUTCH MASTER CYL.....G-12	CYL HEAD COVER.....B-2	FR FENDER.....G-5	HEADLAMP.....E-8	RR FENDER.....H-4	STARTER CLUTCH.....B-11
ALTERNATOR.....E-3	COSLING BODY.....H-8	ELECTRICAL.....E-6	FR MASTER CYL.....G-11	MUFFLER.....C-6	RR MASTER CYL.....H-7	STARTING MOTOR.....E-2
BATTERY.....E-5	COMING FIT SET.....H-12	FOOTREST.....F-4	FR WHEEL.....G-6	OIL COOLER.....C-7	RR SWINGING ARM.....H-2	STEERING DAMPER.....G-4
CAM CHAIN.....B-14	CRANKCASE.....B-5	FRAME.....F-2	FUEL COCK.....F-7	OIL PAN.....B-8	RR WHEEL.....H-5	STEERING STEM.....G-3
CAM SHAFT.....B-12	CRANKCASE COVER.....B-7	FRAME COVER.....F-10	FUEL TANK.....F-5	OIL PUMP.....B-9	SEAT.....F-8	TAIL LAMP.....E-10
CARBURETOR.....C-2	CRANKSHAFT.....B-10	FR BRAKE HOSE.....G-10	GEAR SHIFTING.....D-5	OPTIONAL.....H-14	SIGNAL GENERATOR.....E-4	TRANSMISSION.....D-3
CARBURETOR FIT.....C-4	CYLINDER.....B-4	FR CALIPERS.....G-9	HANDLE SWITCH.....G-8	REAR CALIPER.....H-6	SPEEDOMETER.....E-7	TURNSIGNAL LAMP.....E-9
CLUTCH.....D-2	CYLINDER HEAD.....B-3	FR DAMPER.....G-2	HANDLEBAR.....G-7	RR CUSHION LEVER.....H-3	STAND.....F-3	WIRING HARNESS.....E-11

FIG.1

**B - 2**

FIG.1 ( B- 2) CYLINDER HEAD COVER

REF.NO.	PART NO.	DESCRIPTION	Q'TY	REMARKS
1	11171-17C00	COVER, cylinder head	1	
2	11173-06B02	GASKET, head cover No.1	1	
3	11178-27A01	GASKET, head cover No.2	2	
4	11179-27A02	GASKET, head cover No.3	2	
5	09106-07009	BOLT (L:5.5)	8	
6	09106-07010	BOLT (L:19)	2	
7	09161-11008	WASHER	8	
8	09360-08009	BOLT, union	4	
9	07110-08125	PLUG, head cover	2	
10	09168-08008	GASKET (6x25)	6	
11	04221-08129	PIN	2	
12	11176-26000	COVER, breather	1	
13	11177-26000	GASKET, breather cover	1	
14	01517-06254	BOLT	4	
15	11400-26860	GASKET SET	1	OPT



GSX-R1100N E28

GSX-R1100N E28

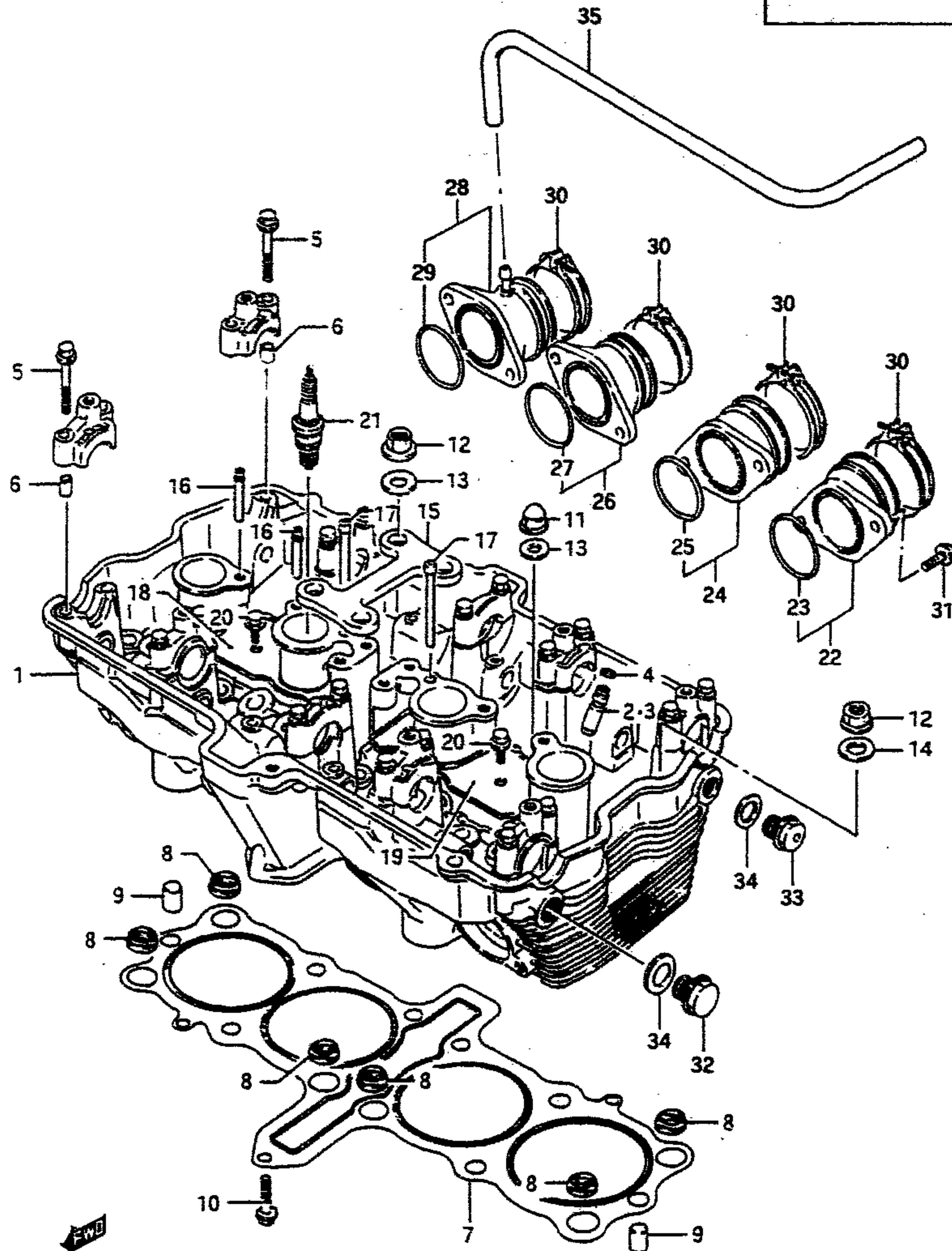
AIR CLEANER...C-5	CLUTCH MASTER CYL...G-12	CYL HEAD COVER...B-2	FR FENDER...G-5	HEADLAMP...E-8	RR FENDER...H-4	STARTER CLUTCH...B-11
ALTERNATOR...E-3	COSLING BODY...H-8	ELECTRICAL...E-6	FR MASTER CYL...G-11	MUFFLER...C-6	RR MASTER CYL...H-7	STARTING MOTOR...E-2
BATTERY...E-5	COWLING FIT SET...H-12	FOOTREST...F-4	FR WHEEL...G-6	OIL COOLER...C-7	RR SWINGING ARM...H-2	STEERING DAMPER...G-4
CAM CHAIN...B-14	CRANKCASE...B-5	FRAME...F-2	FUEL COCK...F-7	OIL PAN...B-8	RR WHEEL...H-5	STEERING STEM...G-3
CAM SHAFT...B-12	CRANKCASE COVER...B-7	FRAME COVER...F-10	FUEL TANK...F-5	OIL PUMP...B-9	SEAT...F-8	TAIL LAMP...E-10
CARBURETOR...C-2	CRANKSHAFT...B-10	FR BRAKE HOSE...G-10	GEAR SHIFTING...D-5	OPTIONAL...H-14	SIGNAL GENERATOR...E-4	TRANSMISSION...D-3
CARBURETOR FIT...C-4	CYLINDER...B-4	FR CALIPERS...G-9	HANDLE SWITCH...G-8	REAR CALIPER...H-6	SPEEDOMETER...E-7	URNSIGNAL LAMP...E-9
CLUTCH...D-2	CYLINDER HEAD...B-3	FR DAMPER...G-2	HANDLEBAR...G-7	RR CUSHION LEVER...H-3	STAND...F-3	WIRING HARNESS...E-11



FIG.2

B - 3

FIG.2 ( B-3) CYLINDER HEAD



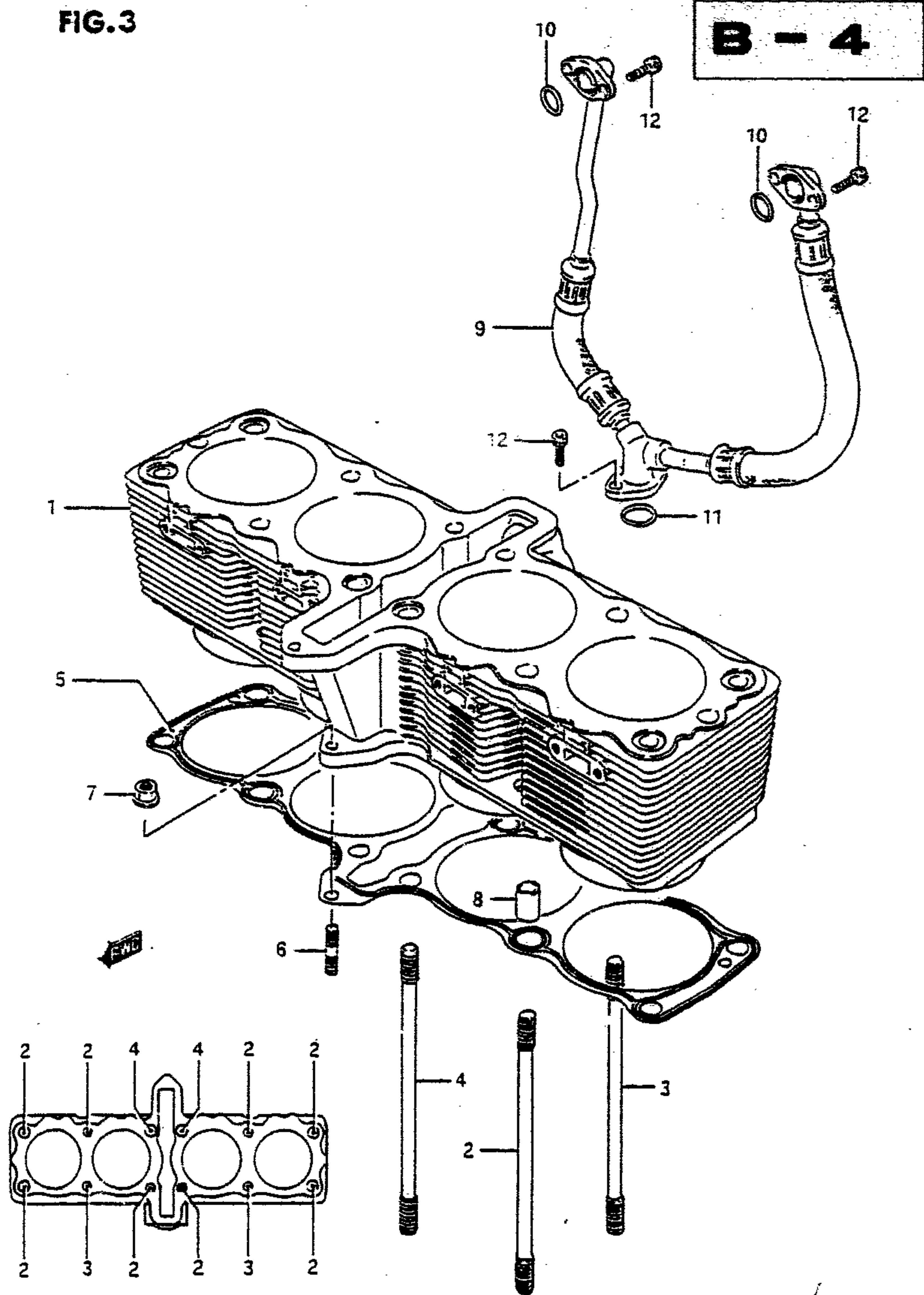
REF.NO.	PART NO.	DESCRIPTION	Q'TY	REMARKS
1	11100-41C00	HEAD ASSY, cylinder	1	
2	11116-06B70	.GUIDE, valve, IN	8	
3	11116-06B70	.GUIDE, valve, EX	8	
4	09381-10004	.RING, valve guide	16	
5	09103-06026	.BOLT	20	
6	09206-08001	.PIN	20	
7	11141-48B21	GASKET, cylinder head	1	+11141-48B20
8	11143-48B01	O RING	6	
9	09209-11007	PIN	2	
10-1	01517-06254	BOLT (6x25)	1	-E.No.113391
10-2	01517-06305	BOLT (6x30)	1	E.No.113392-
11	09159-10069	NUT	4	
12	08316-16106	NUT	8	
13	09168-10031	GASKET	8	
14	09160-10060	WASHER	4	
15	11138-40C10	PLATE, head reinforcement	1	
16	11131-27A00	PIPE, oil No.1,2	4	
17	11133-27A00	PIPE, oil No.3	2	
18	11135-27A02	PLATE, oil pipe RH	1	
19	11136-27A02	PLATE, oil pipe LH	1	
20	01517-06128	BOLT	4	
21-1	09482-00389	SPARK PLUG (NGK, JR9B)	4	
21-2	09482-00391	SPARK PLUG (NGK, JR10B)	4	OPT
22	13101-41C00	PIPE, intake LH	1	
23	09280-40010	.O RING	1	
24	13102-41C00	PIPE, intake ML	1	
25	09280-40010	.O RING	1	
26	13103-41C00	PIPE, intake MR	1	
27	09280-40010	.O RING	1	
28	13104-41C00	PIPE, intake RH	1	
29	09280-40010	.O RING	1	
30	09402-56208	CLAMP	4	
31	02152-06165	SCREW	8	
32	09247-14034	PLUG, cylinder head EX	2	
33	09247-14032	PLUG, cylinder head IN	2	
34	09168-14004	GASKET	4	
35	09352-50823-300	HOSE, vacuum	1	L:300-230

GSX-R1100N E28

GSX-R1100N E28

AIR CLEANER.....C-5	CLUTCH MASTER CYL.....G-12	CYL HEAD COVER.....B-2	FR FENDER.....G-5	HEADLAMP.....E-8	RR FENDER.....H-4	STARTER CLUTCH.....B-11
ALTERNATOR.....E-3	COSLING BODY.....H-8	ELECTRICAL.....E-6	FR MASTER CYL.....G-11	MUFFLER.....C-6	RR MASTER CYL.....H-7	STARTING MOTOR.....E-2
BATTERY.....E-5	COWLING FIT SET.....H-12	FOOTREST.....F-4	FR WHEEL.....G-6	OIL COOLER.....C-7	RR SWINGING ARM.....H-2	STEERING DAMPER.....G-4
CAM CHAIN.....B-14	CRANKCASE.....B-5	FRAME.....F-2	FUEL COCK.....F-7	OIL PAN.....B-8	RR WHEEL.....H-5	STEERING STEM.....G-3
CAM SHAFT.....B-12	CRANKCASE COVER.....B-7	FRAME COVER.....F-10	FUEL TANK.....F-5	OIL PUMP.....B-9	SEAT.....F-8	TAIL LAMP.....E-10
CARBURETOR.....C-2	CRANKSHAFT.....B-10	FR BRAKE HOSE.....G-10	GEAR SHIFTING.....D-5	OPTIONAL.....H-14	SIGNAL GENERATOR.....E-4	TRANSMISSION.....D-3
CARBURETOR FIT.....C-4	CYLINDER.....B-4	FR CALIPERS.....G-9	HANDLE SWITCH.....G-8	REAR CALIPER.....H-6	SPEEDOMETER.....E-7	TURN SIGNAL LAMP.....E-9
CLUTCH.....D-2	CYLINDER HEAD.....B-3	FR DAMPER.....G-2	HANDLEBAR.....G-7	RR CUSHION LEVER.....H-3	STAND.....F-3	WIRING HARNESS.....E-11

FIG.3



**B - 4**

FIG.3 ( B- 4) CYLINDER

REF.NO.	PART NO.	DESCRIPTION	Q'TY	REMARKS
1-1	11210-40C01	CYLINDER	1	-E.No.113391
1-2	11210-40C02	CYLINDER	1	E.No.113392-
2	09108-10081	STUD BOLT (10x164)	8	
3	09108-10099	STUD BOLT (10x157)	2	
4	09108-10108	STUD BOLT (10x168)	2	
5	11241-48B00	GASKET, cylinder	1	
6	01421-06205	STUD BOLT	1	
7	08316-16064	NUT	1	
8	09206-13006	PIN	2	
9	11328-48B02	HOSE, oil head cooler	1	
10	09280-14011	O RING	2	
11	09280-15007	O RING	1	
12	07110-06165	BOLT	6	

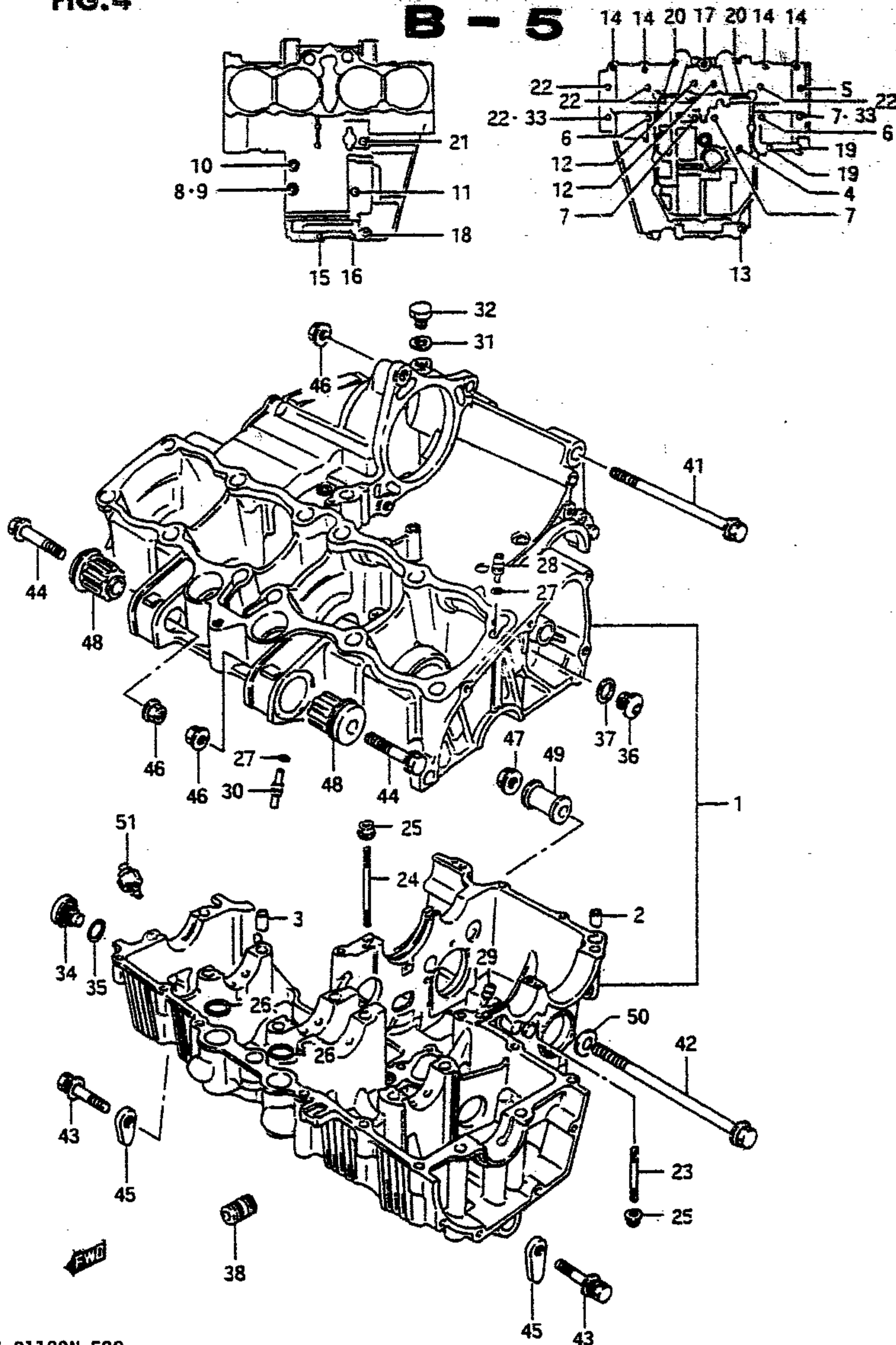
GSX-R1100N E28

GSX-R1100N E28

AIR CLEANER.....C-5	CLUTCH MASTER CYL.....G-12	CYL HEAD COVER.....B-2	FR FENDER.....G-5	HEADLAMP.....E-8	RR FENDER.....H-4	STARTER CLUTCH.....B-11
ALTERNATOR.....E-3	COSLING BODY.....H-8	ELECTRICAL.....E-6	FR MASTER CYL.....G-11	MUFFLER.....C-6	RR MASTER CYL.....H-7	STARTING MOTOR.....E-2
BATTERY.....E-5	COWLING FIT SET.....H-12	FOOTREST.....F-4	FR WHEEL.....G-6	OIL COOLER.....C-7	RR SWINGING ARM.....H-2	STEERING DAMPER.....G-4
CAM CHAIN.....B-14	CRANKCASE.....B-5	FRAME.....F-2	FUEL COCK.....F-7	OIL PAN.....B-8	RR WHEEL.....H-5	STEERING STEM.....G-3
CAM SHAFT.....B-12	CRANKCASE COVER.....B-7	FRAME COVER.....F-10	FUEL TANK.....F-5	OIL PUMP.....B-9	SEAT.....F-8	TAIL LAMP.....E-10
CARBURETOR.....C-2	CRANKSHAFT.....B-10	FR BRAKE HOSE.....G-10	GEAR SHIFTING.....D-5	OPTIONAL.....H-14	SIGNAL GENERATOR.....E-4	TRANSMISSION.....D-3
CARBURETOR FIT.....C-4	CYLINDER.....B-4	FR CALIPERS.....G-9	HANDLE SWITCH.....G-8	REAR CALIPER.....H-6	SPEEDOMETER.....E-7	TURNSIGNAL LAMP.....E-9
CLUTCH.....D-2	CYLINDER HEAD.....B-3	FR DAMPER.....G-2	HANDLEBAR.....G-7	RR CUSHION LEVER.....H-3	STAND.....F-3	WIRING HARNESS.....E-11

FIG. 4

B-5



GSX-R1100N E28

FIG. 4 ( B- 5) CRANKCASE

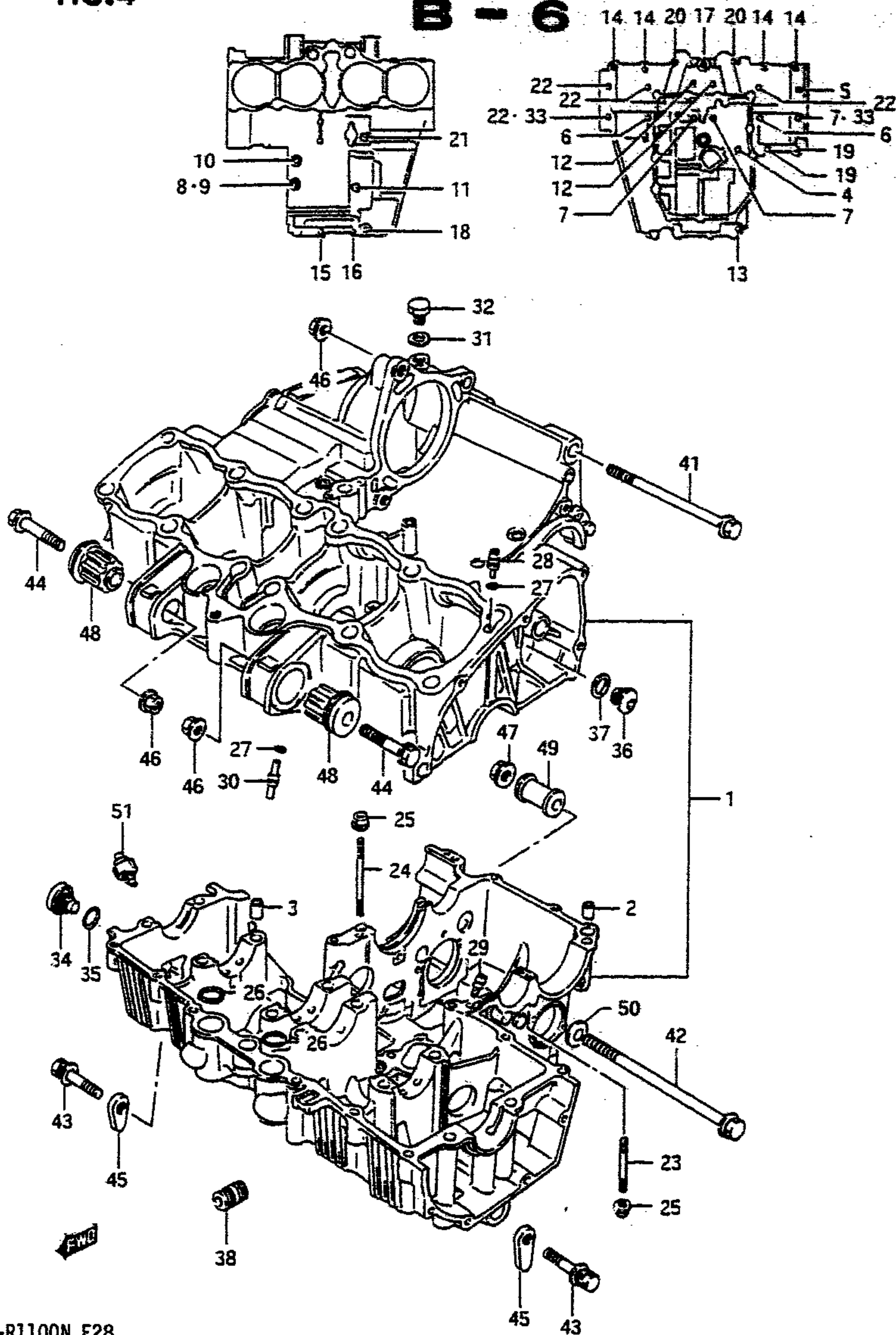
REF.NO.	PART NO.	DESCRIPTION	Q'TY	REMARKS
1-1	11301-40841	CRANKCASE SET	1	model M +11301-40840
1-2	11301-40850	CRANKCASE SET	1	model N
2	09206-13004	.PIN	2	
3	09206-11005	.PIN	2	
4	09103-06067	.BOLT (6x105)	1	
5	09103-08097	.BOLT (8x105)	1	
6	09103-08182	.BOLT (8x125)	2	
7	09103-08098	.BOLT (8x115)	3	
8	09106-06072	.BOLT (6x55)	1	
9	09168-06018	.GASKET	1	
10	07110-06405	.BOLT	1	
11	07110-06655	.BOLT	1	
12	07110-08655	.BOLT	2	
13	01517-08605	.BOLT	1	
14	01517-06354	.BOLT	4	
15	01517-06404	.BOLT	1	
16	01517-06408	.BOLT	1	
17	01517-06505	.BOLT	1	
18	01517-06605	.BOLT	1	
19	01517-06557	.BOLT	2	
20	01517-06705	.BOLT	2	
21	01517-06805	.BOLT	1	
22	09103-08105	.BOLT (8x95)	4	
23	01421-06408	.STUD BOLT	1	
24	01421-06608	.STUD BOLT	1	
25	09159-06017	.NUT	2	
26	09280-21008	.O RING, oil return	2	
27	09280-04004	.O RING	6	
28	09493-14002	.JET, oil GALV head	2	
29	09493-24010	.JET, oil GALV gear shift	2	
30	09493-80008	.JET, oil GALV piston	4	
31	09168-12002	.GASKET, hole plug	1	
32	09247-12103	.PLUG, hole	1	
33	09168-08021	.GASKET	2	

GSX-R1100N E28

AIR CLEANER...C-5	CLUTCH MASTER CYL...G-12	CYL HEAD COVER...B-2	FR FENDER...G-5	HEADLAMP...E-8	RR FENDER...H-4	STARTER CLUTCH...B-11
ALTERNATOR...E-3	COSLING BODY...H-8	ELECTRICAL...E-6	FR MASTER CYL...G-11	MUFFLER...C-6	RR MASTER CYL...H-7	STARTING MOTOR...E-2
BATTERY...E-5	COWLING FIT SET...H-12	FOOTREST...F-4	FR WHEEL...G-6	OIL COOLER...C-7	RR SWINGING ARM...H-2	STEERING DAMPER...G-4
CAM CHAIN...B-14	CRANKCASE...B-5	FRAME...F-2	FUEL COCK...F-7	OIL PAN...B-8	RR WHEEL...H-5	STEERING STEM...G-3
CAM SHAFT...B-12	CRANKCASE COVER...B-7	FRAME COVER...F-10	FUEL TANK...F-5	OIL PUMP...B-9	SEAT...F-8	TAIL LAMP...E-10
CARBURETOR...C-2	CRANKSHAFT...B-10	FR BRAKE HOSE...G-10	GEAR SHIFTING...D-5	OPTIONAL...H-14	SIGNAL GENERATOR...E-4	TRANSMISSION...D-3
CARBURETOR FIT...C-4	CYLINDER...B-4	FR CALIPERS...G-9	HANDLE SWITCH...G-8	REAR CALIPER...H-6	SPEEDOMETER...E-7	TURNSIGNAL LAMP...E-9
CLUTCH...D-2	CYLINDER HEAD...B-3	FR DAMPER...G-2	HANDLEBAR...G-7	RR CUSHION LEVER...H-3	STAND...F-3	WIRING HARNESS...E-11

FIG.4

B-6



GSX-R1100N E28

FIG.4 ( B-6) CRANKCASE

REF.NO.	PART NO.	DESCRIPTION	Q'TY	REMARKS
34	09248-16003	.PLUG, oil gallery	1	
35	09280-17002	.O RING	1	
36	09248-14005	.PLUG, oil gallery	1	
37	09168-14004	.GASKET	1	
38	16591-06800	.UNION, oil filter stand	1	
39	12228-48800-OEO	.BEARING, thrust RH (Green)	1	SEE ILLUSTRATION ON FIG.8 (B-10)
40-1	12228-48800-ODC	.BEARING, thrust LH (Red)	1	SEE ILLUSTRATION ON FIG.8 (B-10)
40-2	12228-48800-OED	.BEARING, thrust LH (Green)	1	
40-3	12228-48800-OEO	.BEARING, thrust LH (Black)	1	
41	09103-10139	BOLT (10x150)	1	
42	09100-12060	BOLT (12x178)	1	
43	09118-10060	BOLT (10x60)	2	
44	01517-10558	BOLT	2	
45	09159-10020	NUT	2	
46	09159-10058	NUT	3	
47	08319-31128	NUT	1	
48	11681-27A00	BUSH	2	
49	11611-40C01	SPACER (L:27)	1	
50	08322-11128	WASHER	1	
51	37820-33200	SWITCH, oil pressure	1	

GSX-R1100N E28

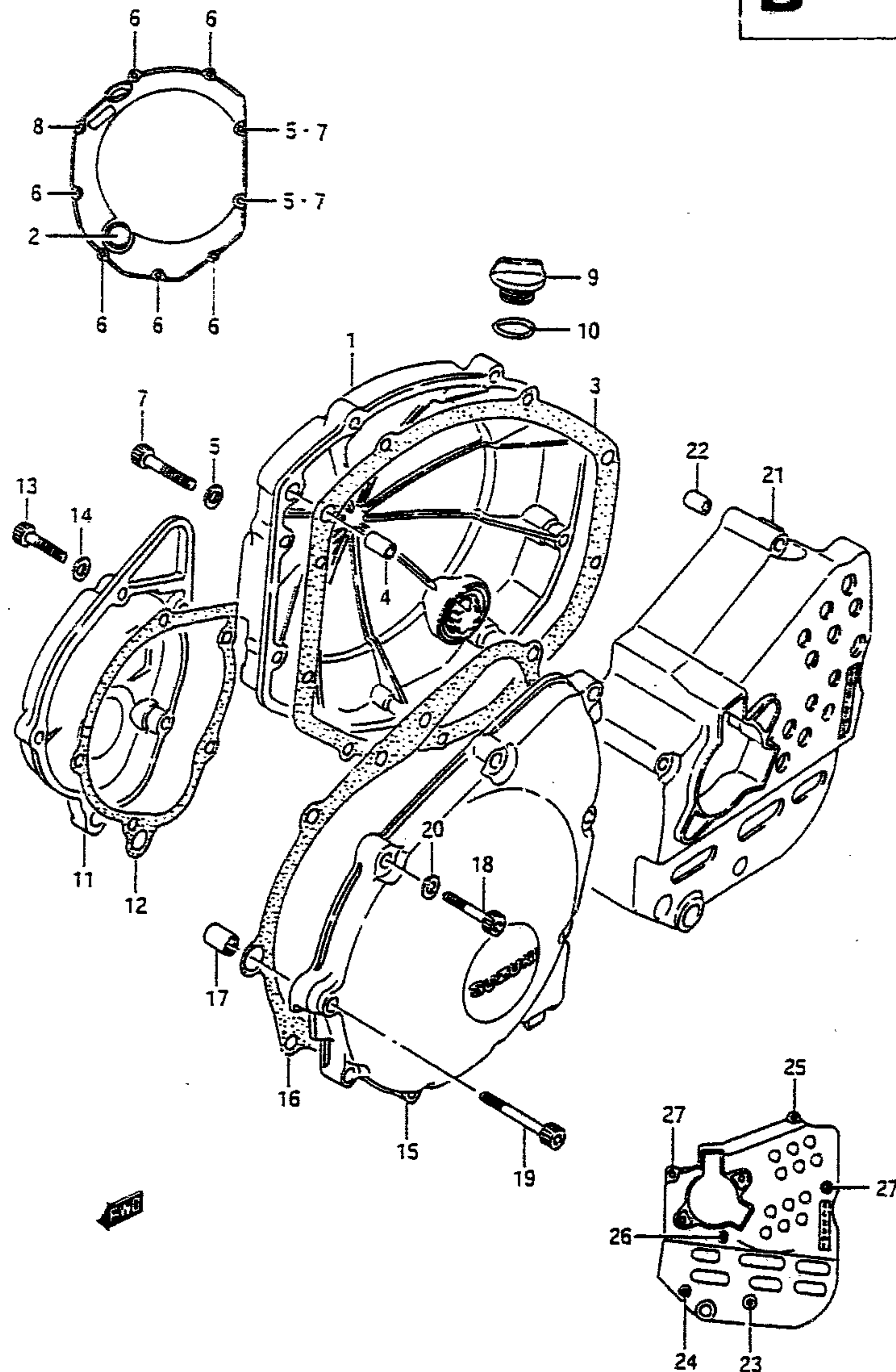
AIR CLEANER.....C-5	CLUTCH MASTER CYL..G-12	CYL HEAD COVER..B-2	FR FENDER.....G-5	HEADLAMP.....E-8	RR FENDER.....H-4	STARTER CLUTCH..B-11
ALTERNATOR.....E-3	COSLING BODY.....H-8	ELECTRICAL.....E-6	FR MASTER CYL..G-11	MUFFLER.....C-6	RR MASTER CYL..H-7	STARTING MOTOR..E-2
BATTERY.....E-5	COWLING FIT SET..H-12	FOOTREST.....F-4	FR WHEEL.....G-6	OIL COOLER.....C-7	RR SWINGING ARM..H-2	STEERING DAMPER..G-4
CAM CHAIN.....B-14	CRANKCASE.....B-5	FRAME.....F-2	FUEL COCK.....F-7	OIL PAN.....B-8	RR WHEEL.....H-5	STEERING STEM...G-3
CAM SHAFT.....B-12	CRANKCASE COVER..B-7	FRAME COVER...F-10	FUEL TANK.....F-5	OIL PUMP.....B-9	SEAT.....F-8	TAIL LAMP.....E-10
CARBURETOR.....C-2	CRANKSHAFT.....B-10	FR BRAKE HOSE..G-10	GEAR SHIFTING..D-5	OPTIONAL.....H-14	SIGNAL GENERATOR..E-4	TRANSMISSION...D-3
CARBURETOR FIT..C-4	CYLINDER.....B-4	FR CALIPERS...G-9	HANDLE SWITCH..G-8	REAR CALIPER...H-6	SPEEDOMETER.....E-7	TURNSIGNAL LAMP..E-9
CLUTCH.....D-2	CYLINDER HEAD...B-3	FR DAMPER.....G-2	HANDLEBAR.....G-7	RR CUSHION LEVER..H-3	STAND.....F-3	WIRING HARNESS..E-11

FIG.5

B - 7

6

FIG.5 ( B-7) CRANKCASE COVER



REF.NO.	PART NO.	DESCRIPTION	Q'TY	REMARKS
1	11340-40C00	COVER, clutch	1	
2	11971-33210	.LENS, oil level	1	
3	11482-27A10	GASKET, clutch cover	1	
4	04211-09189	PIN	2	
5	09168-06024	GASKET	2	
6	07110-06255	BOLT	6	
7	07110-06305	BOLT	2	
8	07110-06355	BOLT	1	
9	09259-20012	PLUG, engine oil filler	1	
10	09280-17003	O RINGS	1	
11	11381-27A01	COVER, signal generator	1	
12	11491-27A10	GASKET, signal generator cover	1	
13	09106-06059	BOLT (6x23)	5	
14	09168-06024	GASKET	1	
15	11351-40C00	COVER, starter gear	1	
16	11483-48B10	GASKET, starter gear cover	1	
17	09206-11005	PIN	1	
18	07110-06255	BOLT	8	
19	07110-06405	BOLT	1	
20	09168-06024	GASKET	1	
21	11361-40C10	COVER, engine sprocket	1	
22	04211-09129	PIN	2	
23	07110-06455	BOLT	1	
24	07110-06355	BOLT	1	
25	07110-06555	BOLT	1	
26	07110-06705	BOLT	1	
27	07110-06755	BOLT	2	

GSX-R1100N E28

GSX-R1100N E28

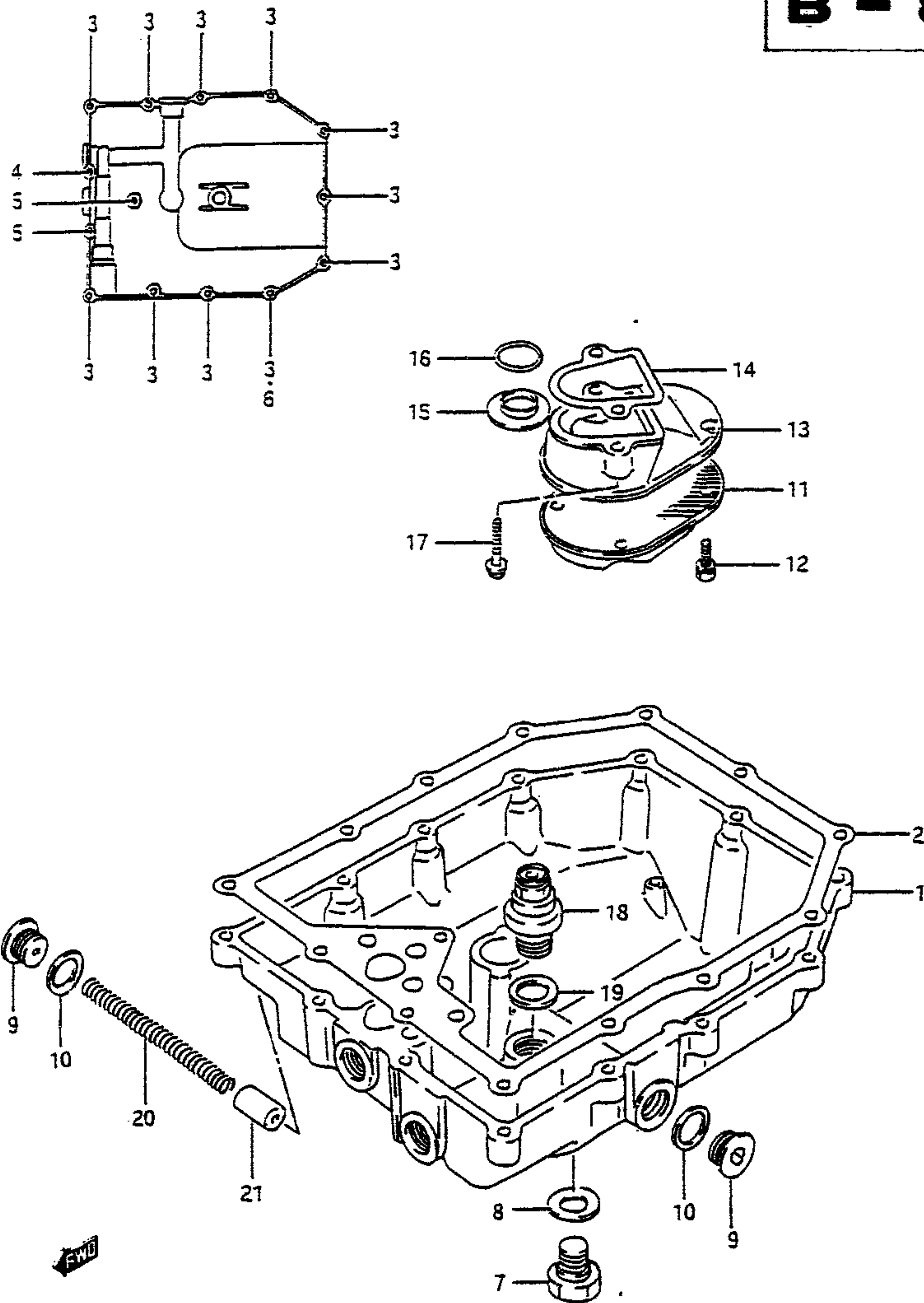
AIR CLEANER.....C-5	CLUTCH MASTER CYL.....G-12	CYL HEAD COVER.....B-2	FR FENDER.....G-5	HEADLAMP.....E-8	RR FENDER.....H-4	STARTER CLUTCH.....B-11
ALTERNATOR.....E-3	COSLING BODY.....H-8	ELECTRICAL.....E-6	FR MASTER CYL.....G-11	MUFFLER.....C-6	RR MASTER CYL.....H-7	STARTING MOTOR.....E-2
BATTERY.....E-5	COWLING FIT SET.....H-12	FOOTREST.....F-4	FR WHEEL.....G-6	OIL COOLER.....C-7	RR SWINGING ARM.....H-2	STEERING DAMPER.....G-4
CAM CHAIN.....B-14	CRANKCASE.....B-5	FRAME.....F-2	FUEL COCK.....F-7	OIL PAN.....B-8	RR WHEEL.....H-5	STEERING STEM.....G-3
CAM SHAFT.....B-12	CRANKCASE COVER.....B-7	FRAME COVER.....F-10	FUEL TANK.....F-5	OIL PUMP.....B-9	SEAT.....F-8	TAIL LAMP.....E-10
CARBURETOR.....C-2	CRANKSHAFT.....B-10	FR BRAKE HOSE.....G-10	GEAR SHIFTING.....D-5	OPTIONAL.....H-14	SIGNAL GENERATOR.....E-4	TRANSMISSION.....D-3
CARBURETOR FIT.....C-4	CYLINDER.....B-4	FR CALIPERS.....G-9	HANDLE SWITCH.....G-8	REAR CALIPER.....H-6	SPEEDOMETER.....E-7	TURNSIGNAL LAMP.....E-9
CLUTCH.....D-2	CYLINDER HEAD.....B-3	FR DAMPER.....G-2	HANDLEBAR.....G-7	RR CUSHION LEVER.....H-3	STAND.....F-3	WIRING HARNESS.....E-11

FIG.6

**B - 8**

7

FIG.6 ( B- 8) OIL PAN



REF.NO.	PART NO.	DESCRIPTION	Q'TY	REMARKS
1	11511-17C02	PAN, oil	1	
2	11489-27A10	GASKET, oil pan	1	
3	07110-06257	BOLT	11	
4	09106-06067	BOLT (6x55)	1	
5	07110-06458	BOLT	2	
6	09168-05024	GASKET	1	
7	09247-14001	PLUG, Oil drain	1	
8	09168-14004	GASKET	1	
9	09248-16010	PLUG, oil gallery	2	
10	09168-16002	GASKET	2	
11	16520-17C00	STRAINER, engine oil	1	
12	01137-06128	BOLT	4	
13	16525-17C00	PROTECTOR, strainer	1	
14	16528-27A10	GASKET, protector	1	
15	16529-27A01	GASKET, outlet	1	
16	09280-18009	O RING	1	
17	01517-06257	BOLT	2	
18	16440-17C00	VALVE, oil reriff	1	
19	09168-16002	WASHER	1	
20	09440-09027	SPRING	1	
21	16442-34301	PLUNGER, oil control	1	

GSX-R1100N E28

GSX-R1100N E28

AIR CLEANER...C-5	CLUTCH MASTER CYL...G-12	CYL HEAD COVER...B-2	FR FENDER...G-5	HEADLAMP...E-8	RR FENDER...H-4	STARTER CLUTCH...B-11
ALTERNATOR...E-3	COSLING BODY...H-8	ELECTRICAL...E-6	FR MASTER CYL...G-11	MUFFLER...C-6	RR MASTER CYL...H-7	STARTING MOTOR...E-2
BATTERY...E-5	COWLING FIT SET...H-12	FOOTREST...F-4	FR WHEEL...G-6	OIL COOLER...C-7	RR SWINGING ARM...H-2	STEERING DAMPER...G-4
CAM CHAIN...B-14	CRANKCASE...B-5	FRAME...F-2	FUEL COCK...F-7	OIL PAN...B-8	RR WHEEL...H-5	STEERING STEM...G-3
CAM SHAFT...B-12	CRANKCASE COVER...B-7	FRAME COVER...F-10	FUEL TANK...F-5	OIL PUMP...B-9	SEAT...F-8	TAIL LAMP...E-10
CARBURETOR...C-2	CRANKSHAFT...B-10	FR BRAKE HOSE...G-10	GEAR SHIFTING...D-5	OPTIONAL...H-14	SIGNAL GENERATOR...E-4	TRANSMISSION...D-3
CARBURETOR FIT...C-4	CYLINDER...B-4	FR CALIPERS...G-9	HANDLE SWITCH...G-8	REAR CALIPER...H-6	SPEEDOMETER...E-7	TURNSIGNAL LAMP...E-9
CLUTCH...D-2	CYLINDER HEAD...B-3	FR DAMPER...G-2	HANDLEBAR...G-7	RR CUSHION LEVER...H-3	STAND...F-3	WIRING HARNESS...E-11

FIG.7

**B - 9**

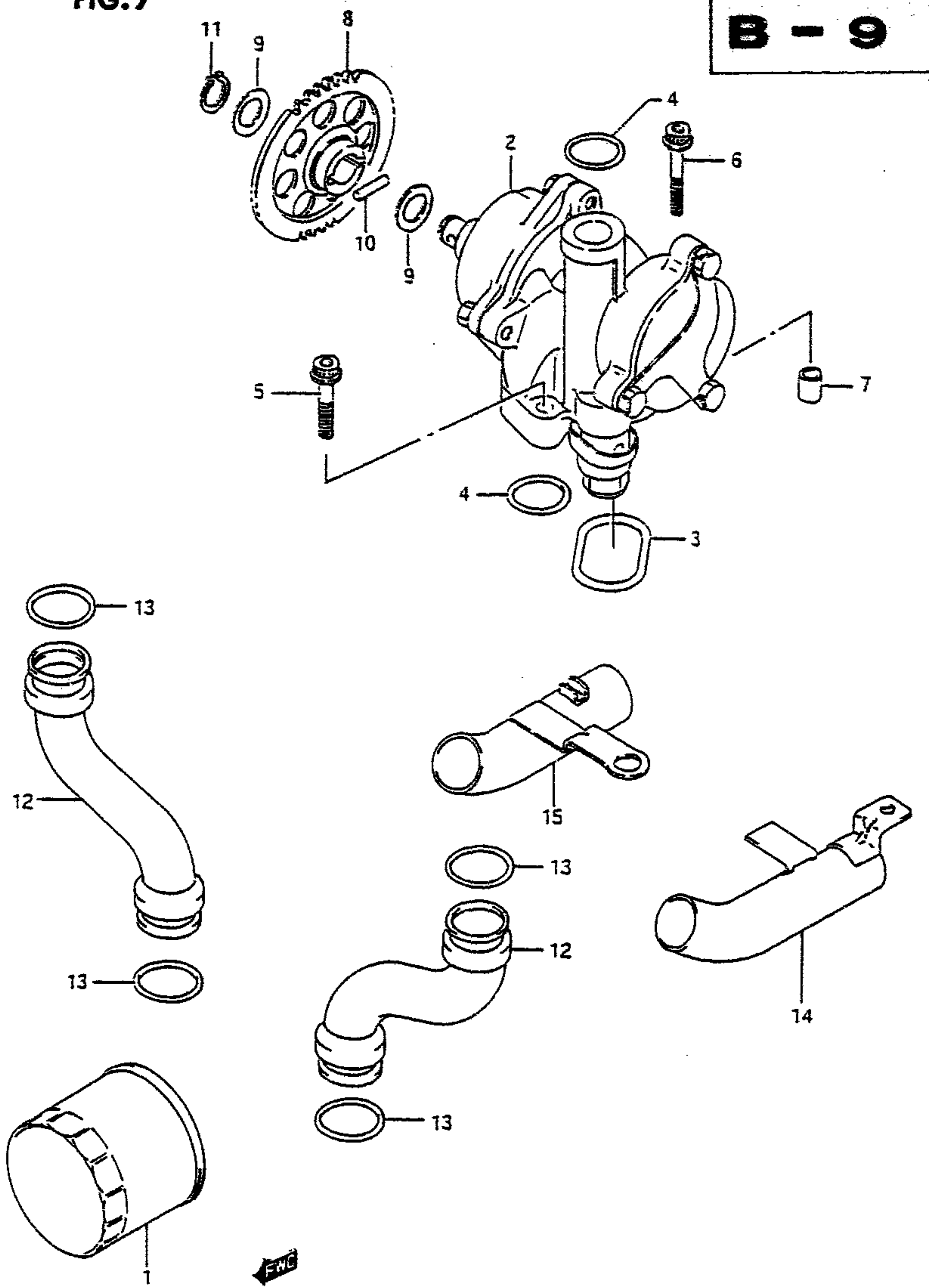


FIG.7 ( B- 9) OIL PUMP

REF.NO.	PART NO.	DESCRIPTION	Q'TY	REMARKS
1	16510-06801	FILTER, engine oil	1	
2	16400-06810	PUMP ASSY, engine oil	1	
3	16491-27A01	O RING, oil pump	1	
4	09280-18009	O RING	2	
5	07120-06308	BOLT	2	
6	07120-06358	BOLT	1	
7	04211-09129	PIN	2	
8	16331-06801-0B1	GEAR, oil pump driven	1	
9	09221-12205	WASHER	2	
10	09261-05006	PIN	1	
11	08331-31129	CIRCLIP	1	
12	16481-48801	PIPE, outlet	2	
13	09280-22016	O RING	4	
14	16530-17C00	PIPE, oil under, LH	1	
15	16540-27A02	PIPE, oil under, RH	1	

GSX-R1100N E28

GSX-R1100N E28

AIR CLEANER.....C-5	CLUTCH MASTER CYL.G-12	CYL HEAD COVER.B-2	FR FENDER.....G-5	HEADLAMP.....E-8	RR FENDER.....H-4	STARTER CLUTCH..B-11
ALTERNATOR.....E-3	COSLINS BODY.....H-8	ELECTRICAL.....E-6	FR MASTER CYL.G-11	MUFFLER.....C-6	RR MASTER CYL....H-7	STARTING MOTOR..E-2
BATTERY.....E-5	COWLING FIT SET...H-12	FOOTREST.....F-4	FR WHEEL.....G-6	OIL COOLER.....C-7	RR SWINGING ARM..H-2	STEERING DAMPER.G-4
CAM CHAIN.....B-14	CRANKCASE.....B-5	FRAME.....F-2	FUEL COCK.....F-7	OIL PAN.....B-8	RR WHEEL.....H-5	STEERING STEM...G-3
CAM SHAFT.....B-12	CRANKCASE COVER...B-7	FRAME COVER....F-10	FUEL TANK.....F-5	OIL PUMP.....B-9	SEAT.....F-8	TAIL LAMP.....E-10
CARBURETOR.....C-2	CRANKSHAFT.....B-10	FR BRAKE HOSE..G-10	GEAR SHIFTING.D-5	OPTIONAL.....H-14	SIGNAL GENERATOR.E-4	TRANSMISSION....D-3
CARBURETOR FIT.C-4	CYLINDER.....B-4	FR CALIPERS....G-9	HANDLE SWITCH.G-8	REAR CALIPER....H-6	SPEEDOMETER.....E-7	URNSIGNAL LAMP.E-9
CLUTCH.....D-2	CYLINDER HEAD...B-3	FR DAMPER.....G-2	HANDLEBAR.....G-7	RR CUSHION LEVER.H-3	STAND.....F-3	WIRING HARNESS..E-11

FIG. 8

**B - 10**

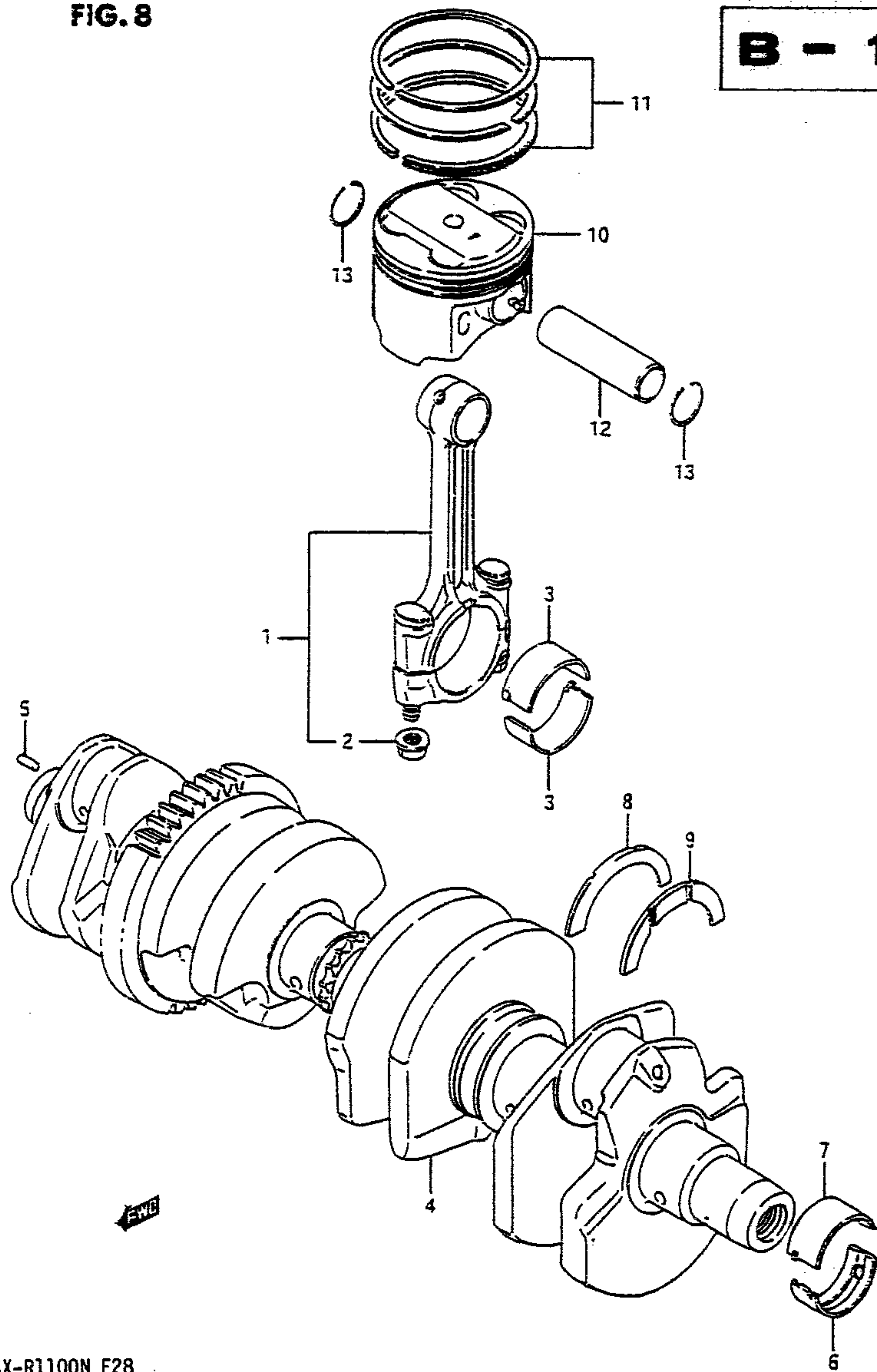


FIG. 8 ( B-10) CRANKSHAFT

REF. NO.	PART NO.	DESCRIPTION	Q'TY	REMARKS
1	12160-40C02	ROD ASSY, connecting	4	
2	09159-09001	.NUT	8	
3-1	12164-48800-0A0	BEARING, crank pin (Green)	8	
3-2	12164-48800-0B0	BEARING, crank pin (Black)	8	
3-3	12164-48800-0C0	BEARING, crank pin (Brown)	8	
3-4	12164-48800-0D0	BEARING, crank pin (Yellow)	8	
4	12220-40C00	CRANKSHAFT	1	
5	04221-04089	.PIN	1	
6-1	12229-06800-0A0	BEARING, crankshaft (Green)	6	LOWER
6-2	12229-06800-0B0	BEARING, crankshaft (Black)	6	
6-3	12229-06800-0C0	BEARING, crankshaft (Brown)	6	
6-4	12229-06800-0D0	BEARING, crankshaft (Yellow)	6	
7-1	12229-06810-0A0	BEARING, crankshaft (Green)	6	UPPER
7-2	12229-06810-0B0	BEARING, crankshaft (Black)	6	
7-3	12229-06810-0C0	BEARING, crankshaft (Brown)	6	
7-4	12229-06810-0D0	BEARING, crankshaft (Yellow)	6	
8	12228-48800-0E0	BEARING, thrust RH (Green)	1	
9-1	12228-48800-0F0	BEARING, thrust LH (Red)	1	
9-2	12228-48800-0G0	BEARING, thrust LH (Green)	1	
9-3	12228-48800-0H0	BEARING, thrust LH (Black)	1	
10-1	12111-48804-0F0	PISTON	4	
10-2	12111-48804-050	PISTON (OS:0.5)	4	OPT
10-3	12111-48804-100	PISTON (OS:1.0)	4	OPT
11-1	12140-48820	RING SET, piston	4	
11-2	12140-48820-050	RING SET, piston (OS:0.5)	4	OPT
11-3	12140-48820-100	RING SET, piston (OS:1.0)	4	OPT
12	12151-05A00	PIN, piston	4	
13	09381-20004	CIRCLIP	8	

GSX-R1100N E28

GSX-R1100N E28

AIR CLEANER.....C-5	CLUTCH MASTER CYL.....G-12	CYL HEAD COVER.....B-2	FR FENDER.....G-5	HEADLAMP.....E-8	RR FENDER.....H-4	STARTER CLUTCH.....B-11
ALTERNATOR.....E-3	COSLING BODY.....H-8	ELECTRICAL.....E-6	FR MASTER CYL.....G-11	MUFFLER.....C-6	RR MASTER CYL.....H-7	STARTING MOTOR.....E-2
BATTERY.....E-5	COWLING FIT SET.....H-12	FOOTREST.....F-4	FR WHEEL.....G-6	OIL COOLER.....C-7	RR SWINGING ARM.....H-2	STEERING DAMPER.....G-4
CAM CHAIN.....B-14	CRANKCASE.....B-5	FRAME.....F-2	FUEL COCK.....F-7	OIL PAN.....B-8	RR WHEEL.....H-5	STEERING STEM.....G-3
CAM SHAFT.....B-12	CRANKCASE COVER.....B-7	FRAME COVER.....F-10	FUEL TANK.....F-5	OIL PUMP.....B-9	SEAT.....F-8	TAIL LAMP.....E-10
CARBURETOR.....C-2	CRANKSHAFT.....B-10	FR BRAKE HOSE.....G-10	GEAR SHIFTING.....D-5	OPTIONAL.....H-14	SIGNAL GENERATOR.....E-4	TRANSMISSION.....D-3
CARBURETOR FIT.....C-4	CYLINDER.....B-4	FR CALIPERS.....G-9	HANDLE SWITCH.....G-8	REAR CALIPER.....H-6	SPEEDOMETER.....E-7	TURN SIGNAL LAMP.....E-9
CLUTCH.....D-2	CYLINDER HEAD.....B-3	FR DAMPER.....G-2	HANDLEBAR.....G-7	RR CUSHION LEVER.....H-3	STAND.....F-3	WIRING HARNESS.....E-11



FIG. 9

**B - 11**

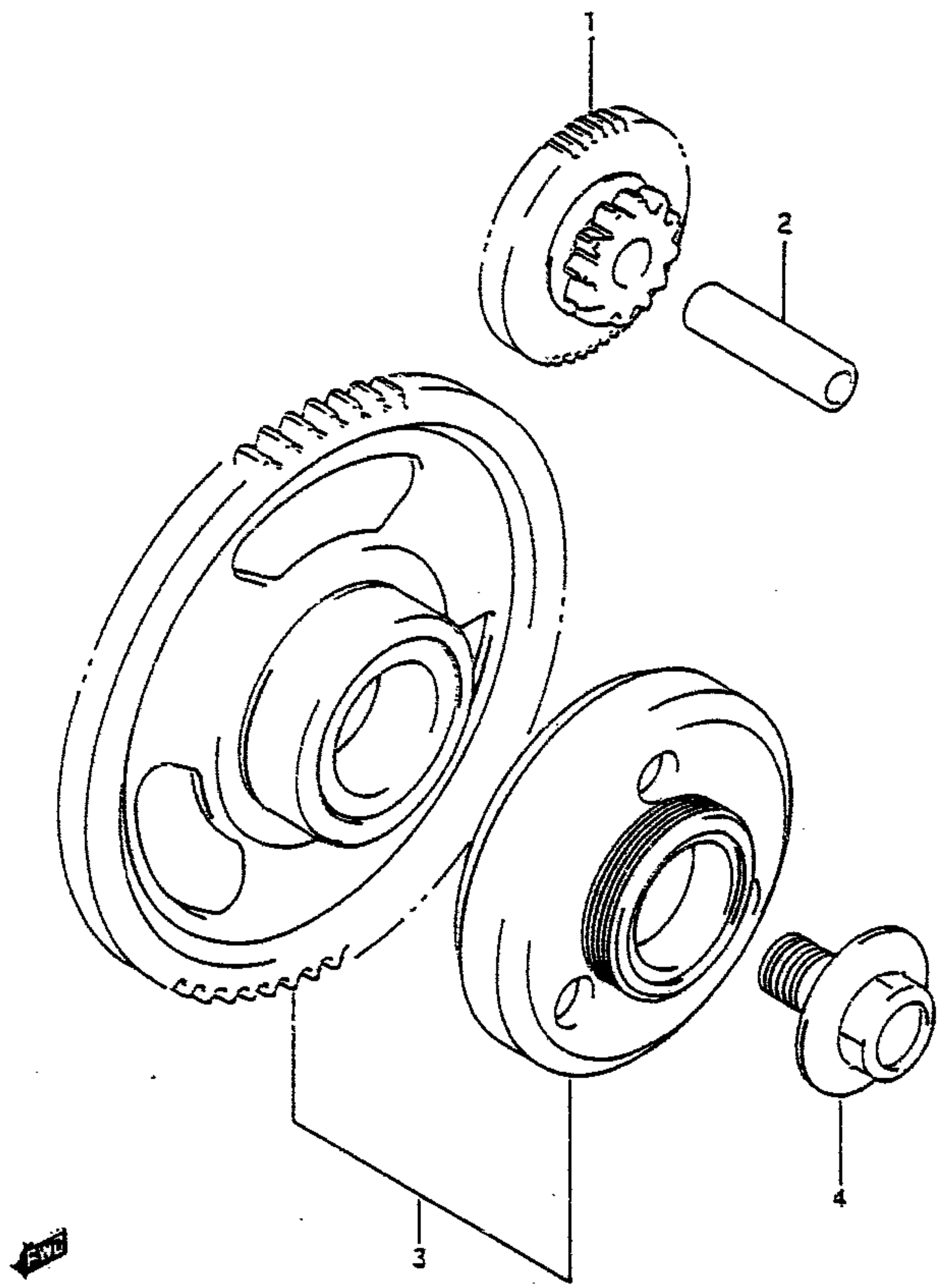
10

FIG. 9 ( B-11) STARTER CLUTCH

Q'TY

REMARKS

REF.NO.	PART NO.	DESCRIPTION	Q'TY	REMARKS
1	12611-06800	GEAR, starter idle (NT:12/53)	1	
	09206-11014	PIN	1	
3	12600-48811	CLUTCH SET, starter	1	
4	09103-14005	BOLT	1	



GSX-R1100N E28

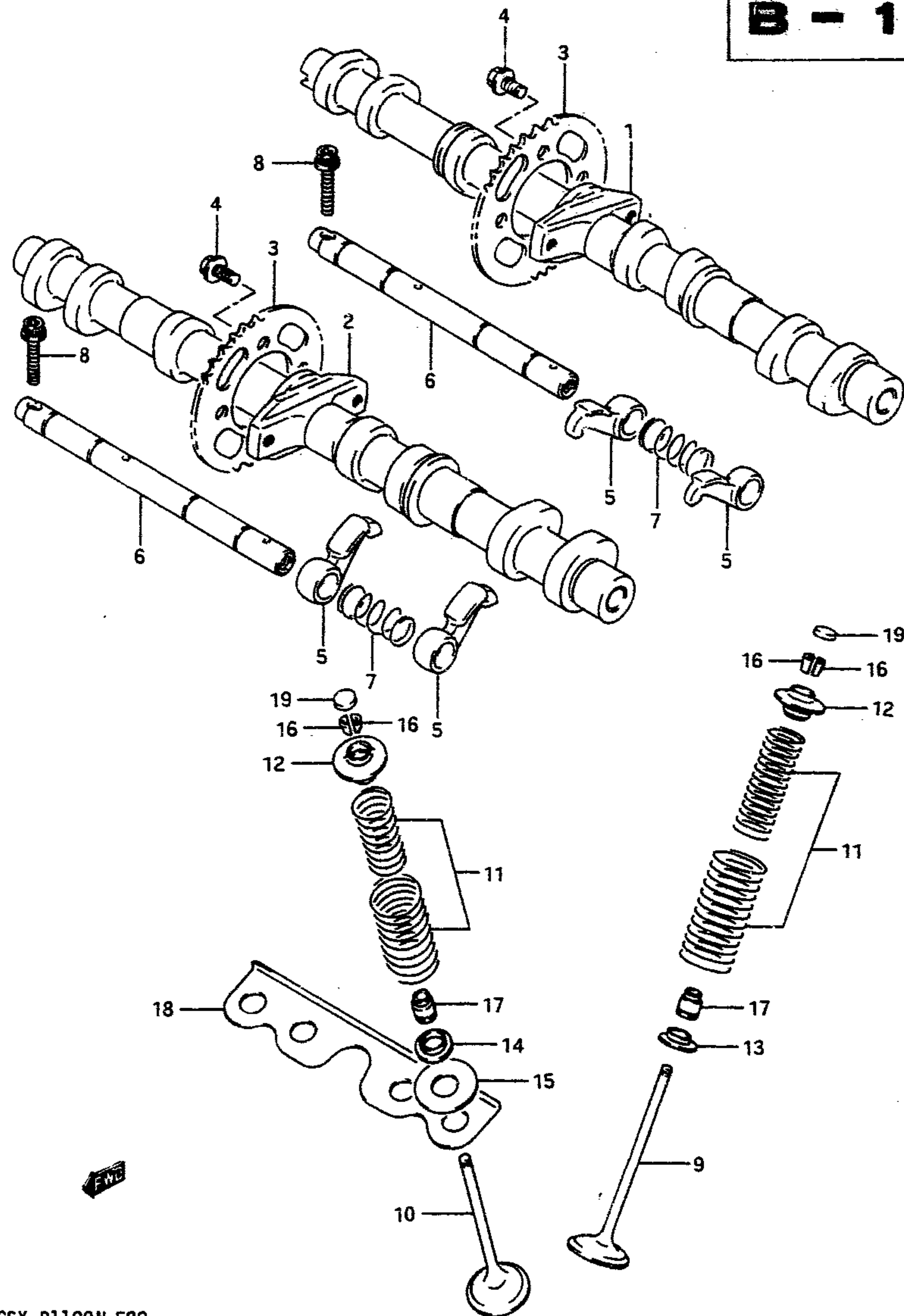
GSX-R1100N E28

AIR CLEANER.....C-5	CLUTCH MASTER CYL.G-12	CYL HEAD COVER.B-2	FR FENDER.....G-5	HEADLAMP.....E-8	RR FENDER.....H-4	STARTER CLUTCH..B-11
ALTERNATOR.....E-3	COSLING BODY.....H-8	ELECTRICAL.....E-6	FR MASTER CYL.G-11	MUFFLER.....C-6	RR MASTER CYL....H-7	STARTING MOTOR..E-2
BATTERY.....E-5	COWLING FIT SET..H-12	FOOTREST.....F-4	FR WHEEL.....G-6	OIL COOLER.....C-7	RR SWINGING ARM..H-2	STEERING DAMPER.G-4
CAM CHAIN.....B-14	CRANKCASE.....B-5	FRAME.....F-2	FUEL COCK.....F-7	OIL PAN.....B-8	RR WHEEL.....H-5	STEERING STEM...G-3
CAM SHAFT.....B-12	CRANKCASE COVER..B-7	FRAME COVER...F-10	FUEL TANK.....F-5	OIL PUMP.....B-9	SEAT.....F-8	TAIL LAMP.....E-10
CARBURETOR.....C-2	CRANKSHAFT.....B-10	FR BRAKE HOSE..G-10	GEAR SHIFTING.D-5	OPTIONAL.....H-14	SIGNAL GENERATOR.E-4	TRANSMISSION....D-3
CARBURETOR FIT.C-4	CYLINDER.....B-4	FR CALIPERS...G-9	HANDLE SWITCH.G-8	REAR CALIPER....H-6	SPEEDOMETER.....E-7	TURNSIGNAL LAMP.E-9
CLUTCH.....D-2	CYLINDER HEAD...B-3	FR DAMPER.....G-2	HANDLEBAR.....G-7	RR CUSHION LEVER.H-3	STAND.....F-3	WIRING HARNESS..E-11

FIG. 10

**B - 12**

FIG. 10 ( B-12) CAM SHAFT / VALVE



REF.NO.	PART NO.	DESCRIPTION	Q'TY	REMARKS
1	12711-41C00	CAM SHAFT, intake	1	
2	12721-41C00	CAM SHAFT, exhaust	1	
3	12741-06B00	SPROCKET, cam shaft	2	
4	09103-07001	BOLT	4	
5	12841-33C02	ARM, valve locker	16	
6	12861-41C01	SHAFT, valve locker arm	4	+12861-41C00
7	09440-14019	SPRING	8	
8	07120-06255	BOLT	4	
9	12911-41C00	VALVE, intake	8	
10	12912-41C00	VALVE, exhaust	8	
11	12920-41C00	SPRING SET, valve	16	
12	12931-41C00	RETAINER, valve spring	16	
13	12933-81400	SEAT, spring intake	8	
14	12934-27A00	SEAT, spring EX inner	8	
15	12935-27A00	SEAT, spring EX outer	8	
16	12932-27A00	COTTER, valve	32	
17	09289-05011	OIL SEAL	16	
18	11137-27A01	PLATE, valve seat	2	
19-1	12892-41C00-230	SHIM, tappet (T:2.30)	16	
19-2	12892-41C00-235	SHIM, tappet (T:2.35)	16	
19-3	12892-41C00-240	SHIM, tappet (T:2.40)	16	
19-4	12892-41C00-245	SHIM, tappet (T:2.45)	16	
19-5	12892-41C00-250	SHIM, tappet (T:2.50)	16	
19-6	12892-41C00-255	SHIM, tappet (T:2.55)	16	
19-7	12892-41C00-260	SHIM, tappet (T:2.60)	16	
19-8	12892-41C00-265	SHIM, tappet (T:2.65)	16	
19-9	12892-41C00-270	SHIM, tappet (T:2.70)	16	
19-10	12892-41C00-275	SHIM, tappet (T:2.75)	16	
19-11	12892-41C00-280	SHIM, tappet (T:2.80)	16	
19-12	12892-41C00-285	SHIM, tappet (T:2.85)	16	
19-13	12892-41C00-290	SHIM, tappet (T:2.90)	16	
19-14	12892-41C00-295	SHIM, tappet (T:2.95)	16	
19-15	12892-41C00-300	SHIM, tappet (T:3.00)	16	

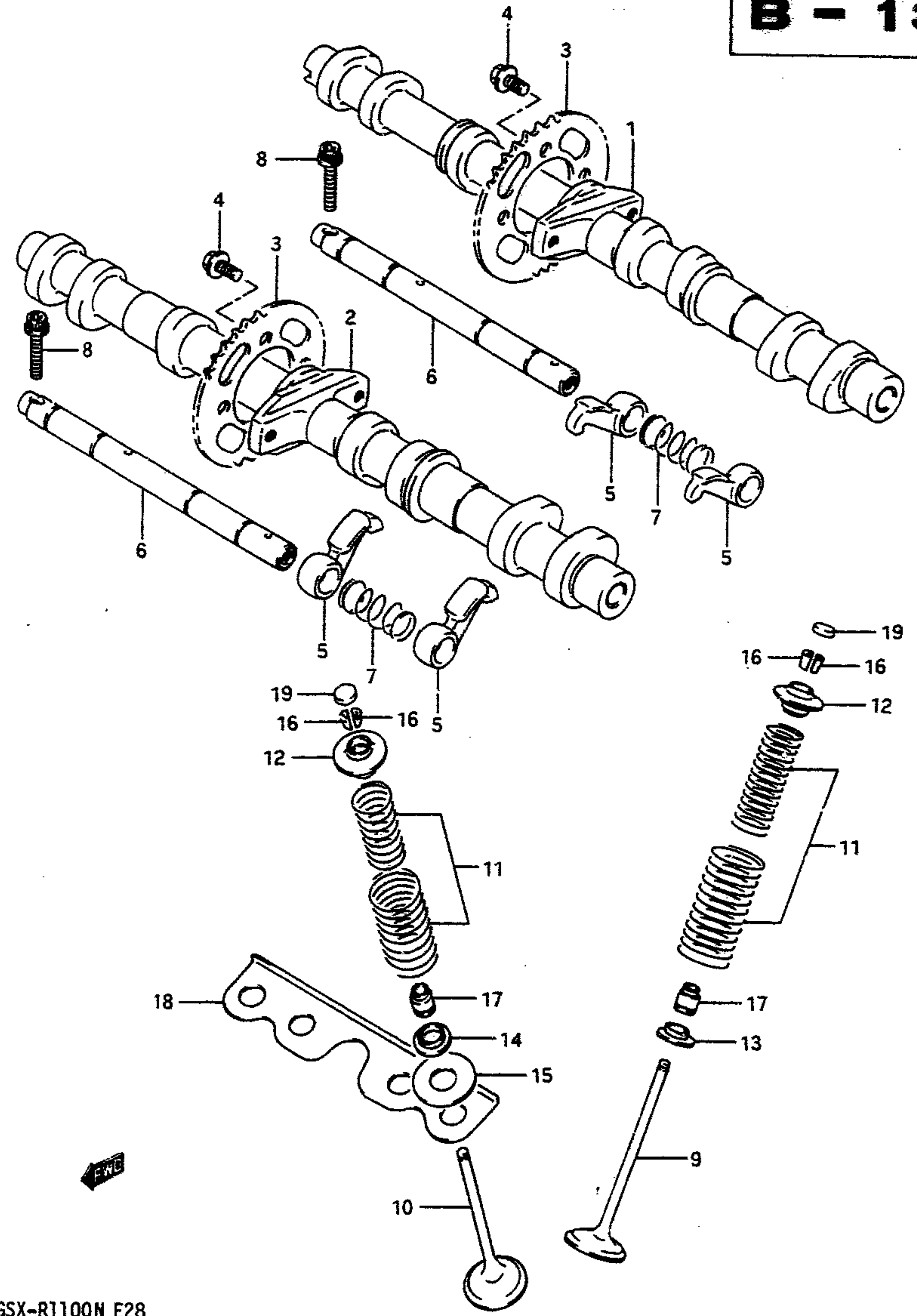
GSX-R1100N E28

GSX-R1100N E28

AIR CLEANER.....C-5	CLUTCH MASTER CYL.G-12	CYL HEAD COVER.B-2	FR FENDER.....G-5	HEADLAMP.....E-8	RR FENDER.....H-4	STARTER CLUTCH..B-11
ALTERNATOR.....E-3	COSLING BODY.....H-8	ELECTRICAL.....E-6	FR MASTER CYL.G-11	MUFFLER.....C-6	RR MASTER CYL...H-7	STARTING MOTOR..E-2
BATTERY.....E-5	COWLING FIT SET..H-12	FOOTREST.....F-4	FR WHEEL.....G-6	OIL COOLER.....C-7	RR SWINGING ARM..H-2	STEERING DAMPER.G-4
CAM CHAIN.....B-14	CRANKCASE.....B-5	FRAME.....F-2	FUEL COCK.....F-7	OIL PAN.....B-8	RR WHEEL.....H-5	STEERING STEM...G-3
CAM SHAFT.....B-12	CRANKCASE COVER..B-7	FRAME COVER...F-10	FUEL TANK.....F-5	OIL PUMP.....B-9	SEAT.....F-8	TAIL LAMP.....E-10
CARBURETOR.....C-2	CRANKSHAFT.....B-10	FR BRAKE HOSE..G-10	GEAR SHIFTING.D-5	OPTIONAL.....H-14	SIGNAL GENERATOR.E-4	TRANSMISSION...D-3
CARBURETOR FIT.C-4	CYLINDER.....B-4	FR CALIPERS....G-9	HANDLE SWITCH.G-8	REAR CALIPER....H-6	SPEEDOMETER.....E-7	TURNSIGNAL LAMP.E-9
CLUTCH.....D-2	CYLINDER HEAD...B-3	FR DAMPER.....G-2	HANDLEBAR.....G-7	RR CUSHION LEVER.H-3	STAND.....F-3	WIRING HARNESS..E-11

FIG. 10

**B - 13**



12

FIG. 10 ( B-13) CAM SHAFT / VALVE

REF.NO.	PART NO.	DESCRIPTION	Q'TY	REMARKS
19-16	12892-41C00-305	SHIM, tappet (T:3.05)	16	
19-17	12892-41C00-310	SHIM, tappet (T:3.10)	16	
19-18	12892-41C00-315	SHIM, tappet (T:3.15)	16	
19-19	12892-41C00-320	SHIM, tappet (T:3.20)	16	
19-20	12892-41C00-325	SHIM, tappet (T:3.25)	16	
19-21	12892-41C00-330	SHIM, tappet (T:3.30)	16	
19-22	12892-41C00-335	SHIM, tappet (T:3.35)	16	
19-23	12892-41C00-340	SHIM, tappet (T:3.40)	16	
19-24	12892-41C00-345	SHIM, tappet (T:3.45)	16	
19-25	12892-41C00-350	SHIM, tappet (T:3.50)	16	
20	12800-41810	SHIM SET, tappet Inc., Ref.No.19-5-19-25(5pcs.each) &	1	OPT
21	99000-69471	.CASE, tappet shim	1	OPT

GSX-R1100N E28

GSX-R1100N E28

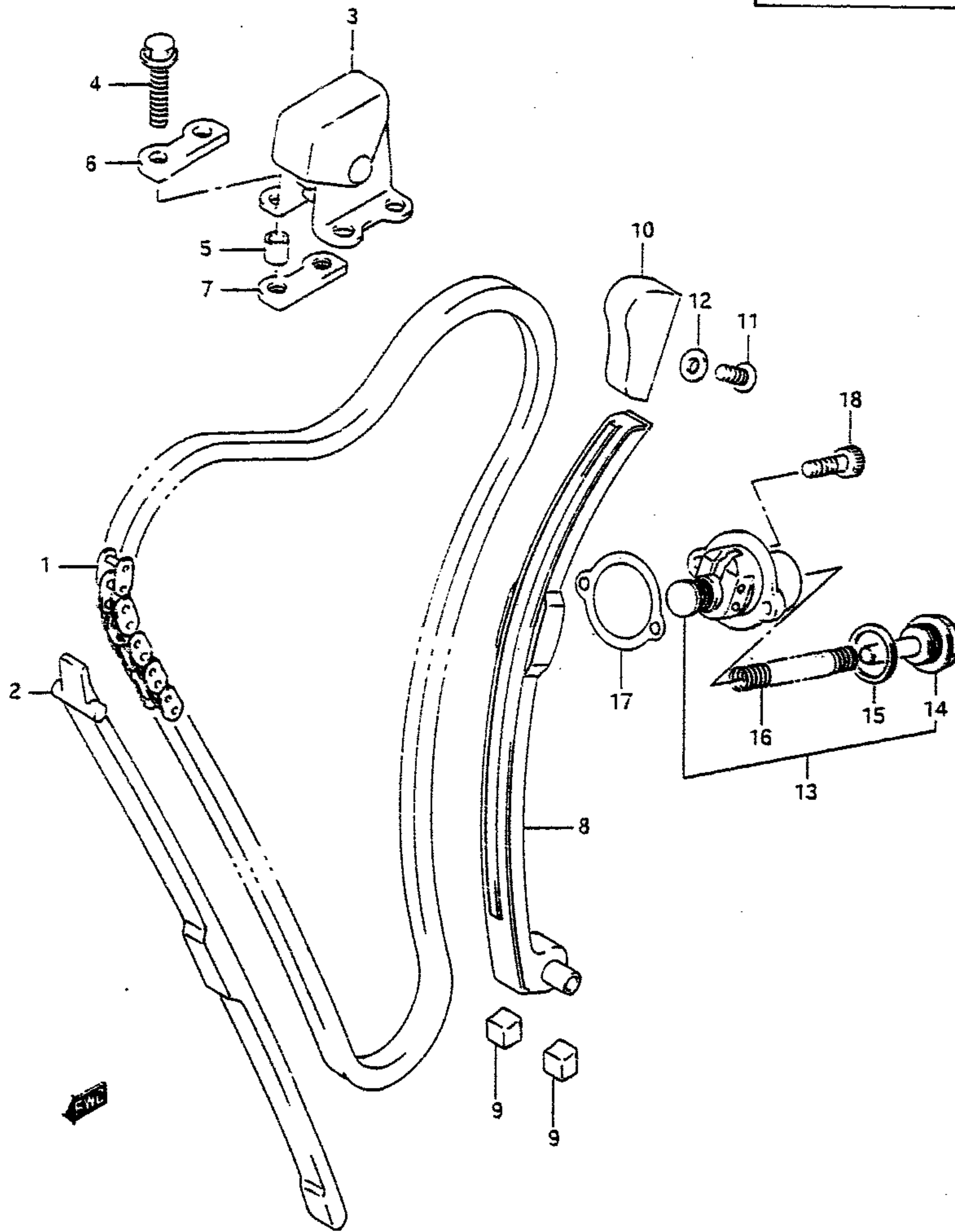
AIR CLEANER.....C-5	CLUTCH MASTER CYL..G-12	CYL HEAD COVER..B-2	FR FENDER.....G-5	HEADLAMP.....E-8	RR FENDER.....H-4	STARTER CLUTCH..B-11
ALTERNATOR.....E-3	COSLING BODY.....H-8	ELECTRICAL.....E-6	FR MASTER CYL..G-11	MUFFLER.....C-6	RR MASTER CYL...H-7	STARTING MOTOR..E-2
BATTERY.....E-5	COWLING FIT SET...H-12	FOOTREST.....F-4	FR WHEEL.....G-6	OIL COOLER.....C-7	RR SWINGING ARM..H-2	STEERING DAMPER..G-4
CAM CHAIN.....B-14	CRANKCASE.....B-5	FRAME.....F-2	FUEL COCK.....F-7	OIL PAN.....B-8	RR WHEEL.....H-5	STEERING STEM...G-3
CAM SHAFT.....B-12	CRANKCASE COVER...B-7	FRAME COVER...F-10	FUEL TANK.....F-5	OIL PUMP.....B-9	SEAT.....F-8	TAIL LAMP.....E-10
CARBURETOR.....C-2	CRANKSHAFT.....B-10	FR BRAKE HOSE..G-10	GEAR SHIFTING..D-5	OPTIONAL.....H-14	SIGNAL GENERATOR..E-4	TRANSMISSION...D-3
CARBURETOR FIT..C-4	CYLINDER.....B-4	FR CALIPERS....G-9	HANDLE SWITCH..G-8	REAR CALIPER....H-6	SPEEDOMETER.....E-7	TURN SIGNAL LAMP..E-9
CLUTCH.....D-2	CYLINDER HEAD...B-3	FR DAMPER.....G-2	HANDLEBAR.....G-7	RR CUSHION LEVER..H-3	STAND.....F-3	WIRING HARNESS..E-11

FIG. 11

**B - 14**

13

FIG. 11 ( B-14) CAM CHAIN

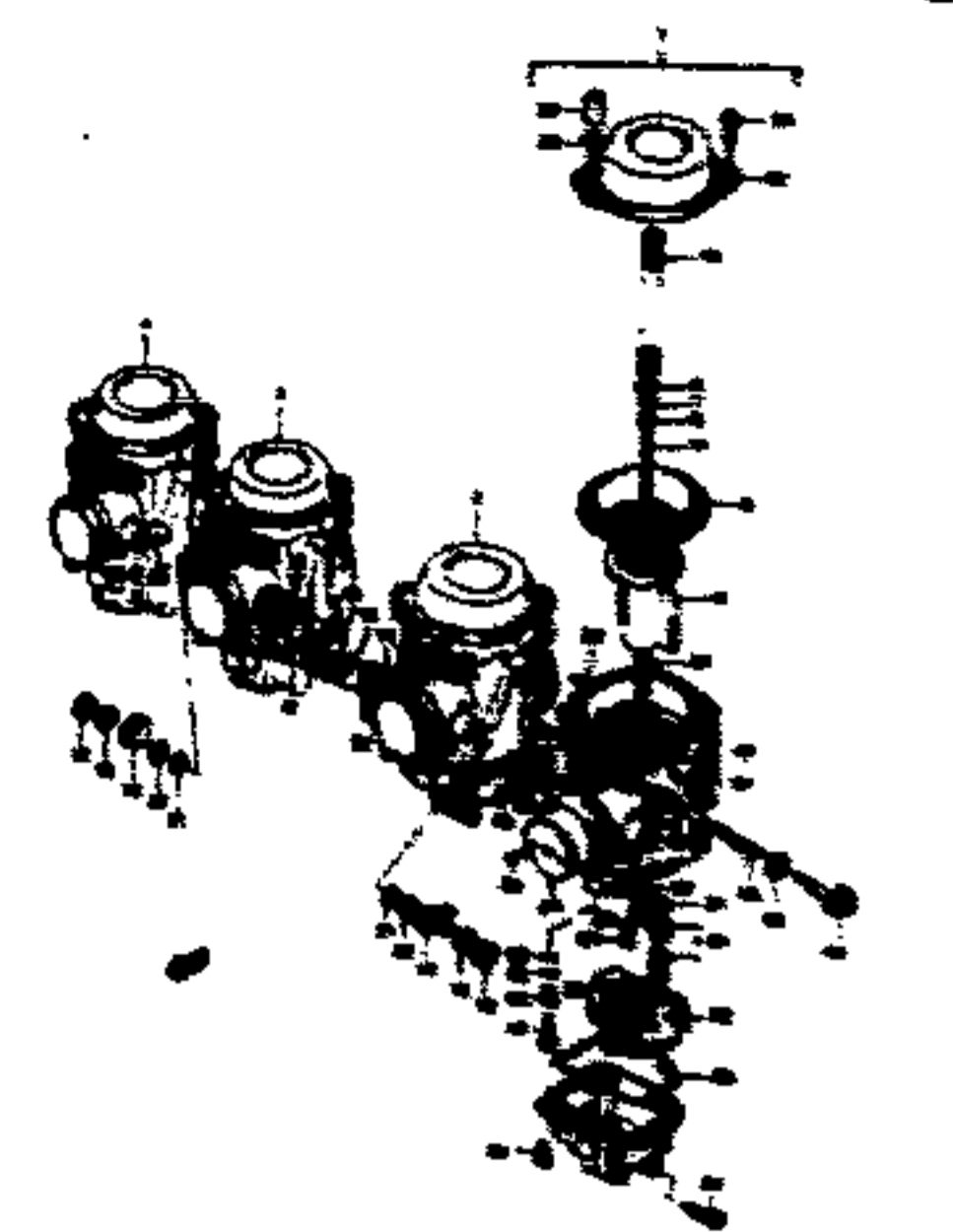
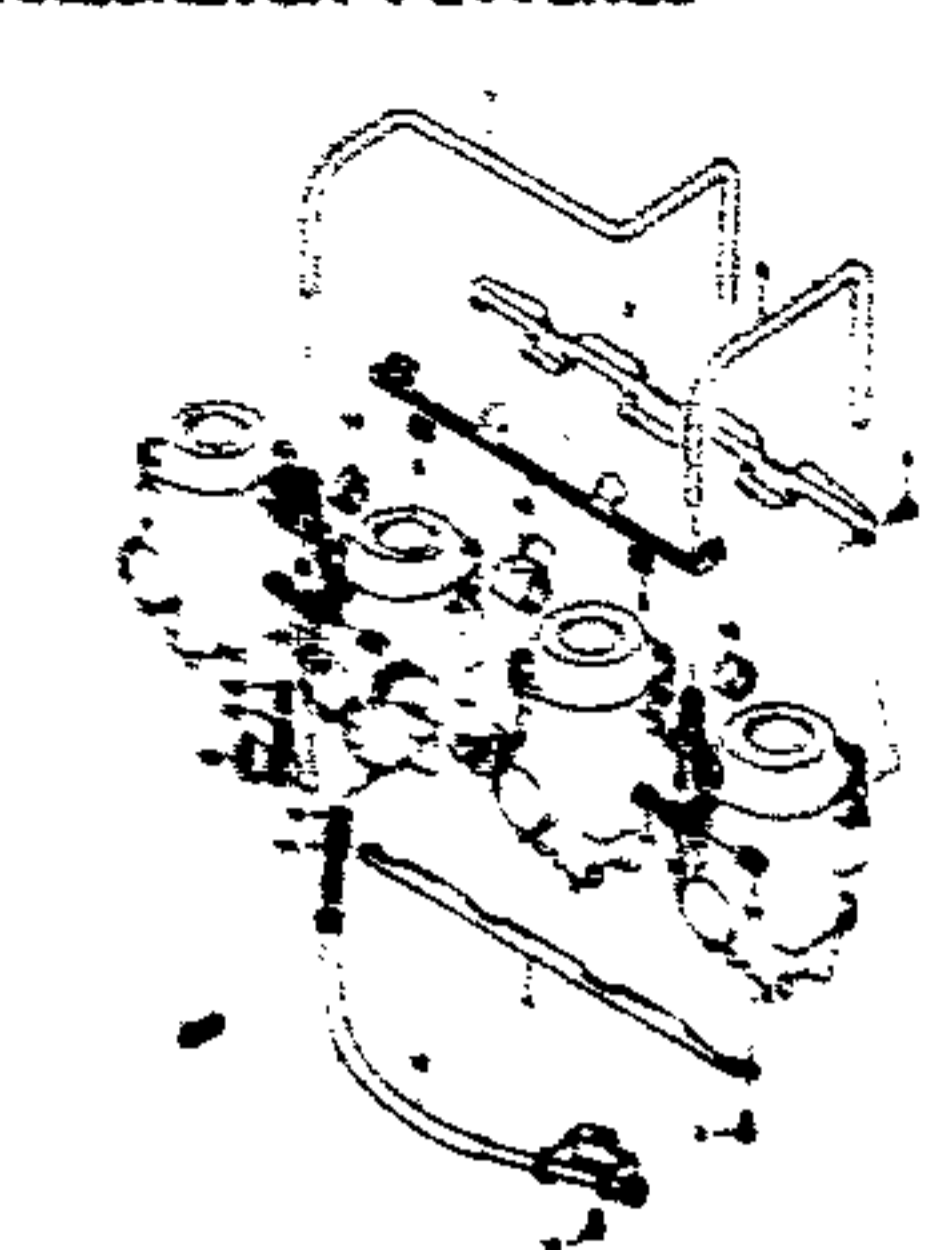
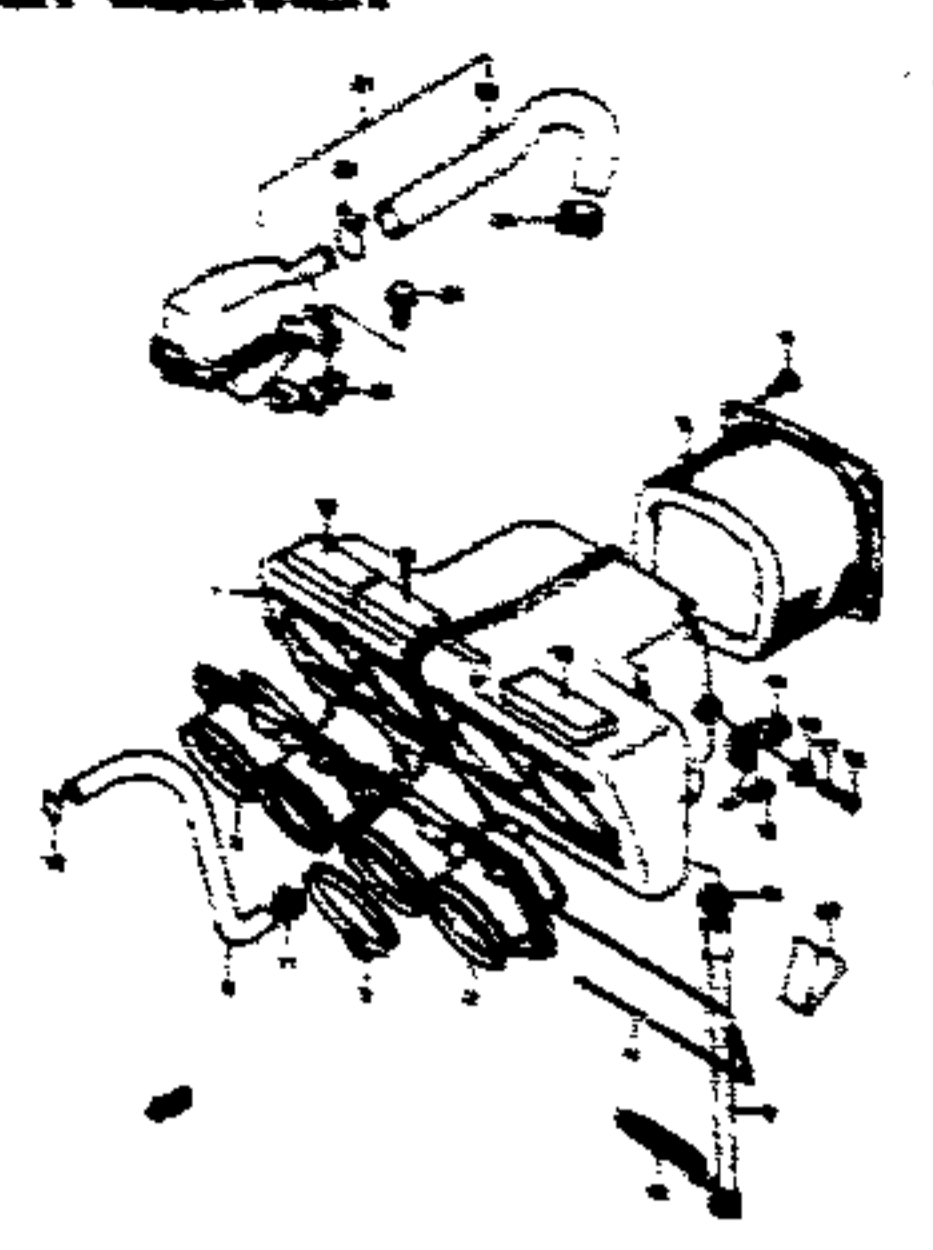
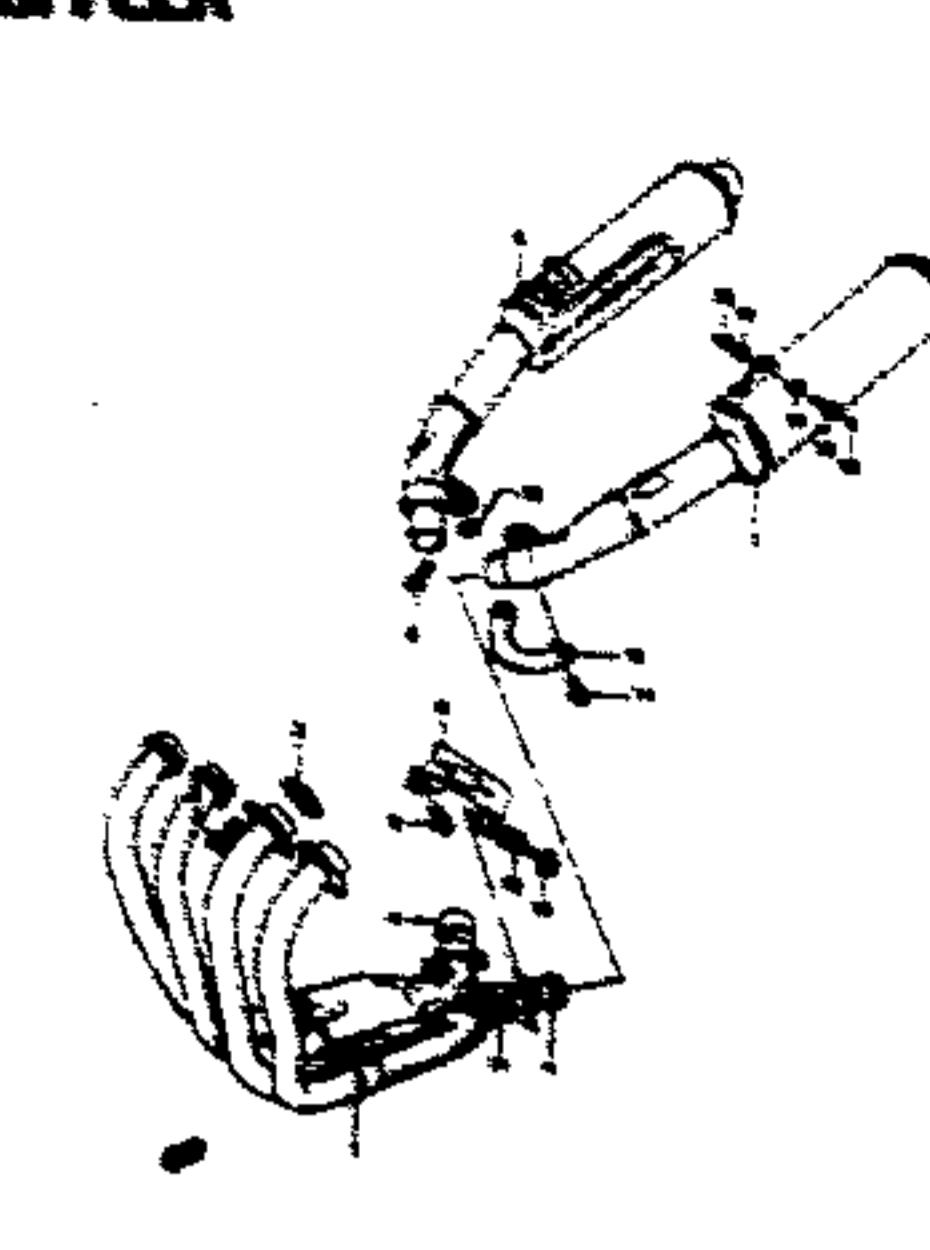
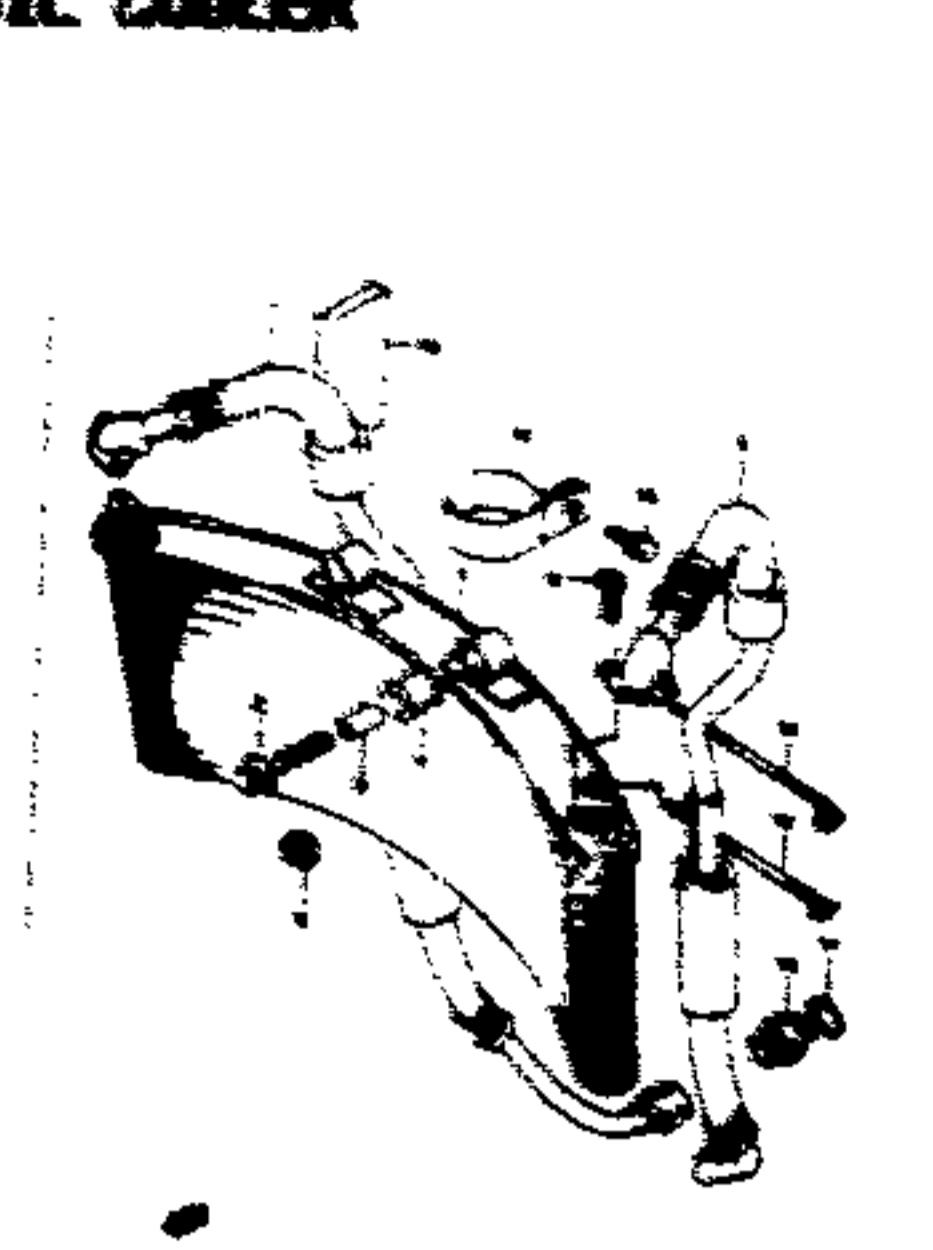



REF.NO.	PART NO.	DESCRIPTION	Q'TY	REMARKS
1	12760-40C00	CHAIN, cam shaft drive	1	
2	12771-06801	GUIDE, cam chain No.1	1	
3	12780-40C00	IDLER, cam chain	1	
4	01517-06307	BOLT	4	
5	09180-06167	SPACER, cushion	4	
6	12788-48801	CUSHION (T:5.2)	2	
7	12788-48811	CUSHION (T:8.6)	2	
8	12810-40C00	TENSIONER, cam chain	1	
9	12814-34200	CUSHION	2	
10	12791-06801	GUIDE, cam chain No.2	1	
11	01517-06105	BOLT	1	
12	09168-06023	WASHER	1	
13	12830-48802	ADJUSTER ASSY, tensioner	1	
14	12834-27A00	.PLUG	1	
15	12832-27A00	.GASKET	1	
16	12833-06800	.SPRING	1	
17-1	12837-27A00-H17	GASKET, adjuster	1	model M
17-2	12837-27A10	GASKET, adjuster	1	model N
18	07110-06255	BOLT	2	

GSX-R1100N E28

GSX-R1100N E28

AIR CLEANER.....C-5	CLUTCH MASTER CYL.....G-12	CYL HEAD COVER.....B-2	FR FENDER.....G-5	HEADLAMP.....E-8	RR FENDER.....H-4	STARTER CLUTCH.....B-11
ALTERNATOR.....E-3	COSLING BODY.....H-8	ELECTRICAL.....E-6	FR MASTER CYL.....G-11	MUFFLER.....C-6	RR MASTER CYL.....H-7	STARTING MOTOR.....E-2
BATTERY.....E-5	COWLING FIT SET.....H-12	FOOTREST.....F-4	FR WHEEL.....G-6	OIL COOLER.....C-7	RR SWINGING ARM.....H-2	STEERING DAMPER.....G-4
CAM CHAIN.....B-14	CRANKCASE.....B-5	FRAME.....F-2	FUEL COCK.....F-7	OIL PAN.....B-8	RR WHEEL.....H-5	STEERING STEM.....G-3
CAM SHAFT.....B-12	CRANKCASE COVER.....B-7	FRAME COVER.....F-10	FUEL TANK.....F-5	OIL PUMP.....B-9	SEAT.....F-8	TAIL LAMP.....E-10
CARBURETOR.....C-2	CRANKSHAFT.....B-10	FR BRAKE HOSE.....G-10	GEAR SHIFTING.....D-5	OPTIONAL.....H-14	SIGNAL GENERATOR.....E-4	TRANSMISSION.....D-3
CARBURETOR FIT.....C-4	CYLINDER.....B-4	FR CALIPERS.....G-9	HANDLE SWITCH.....G-8	REAR CA' IPER.....H-6	SPEEDOMETER.....E-7	TURNSIGNAL LAMP.....E-9
CLUTCH.....D-2	CYLINDER HEAD.....B-3	FR DAMPER.....G-2	HANDLEBAR.....G-7	RR CUSHION LEVER.....H-3	STAND.....F-3	WIRING HARNESS.....E-11

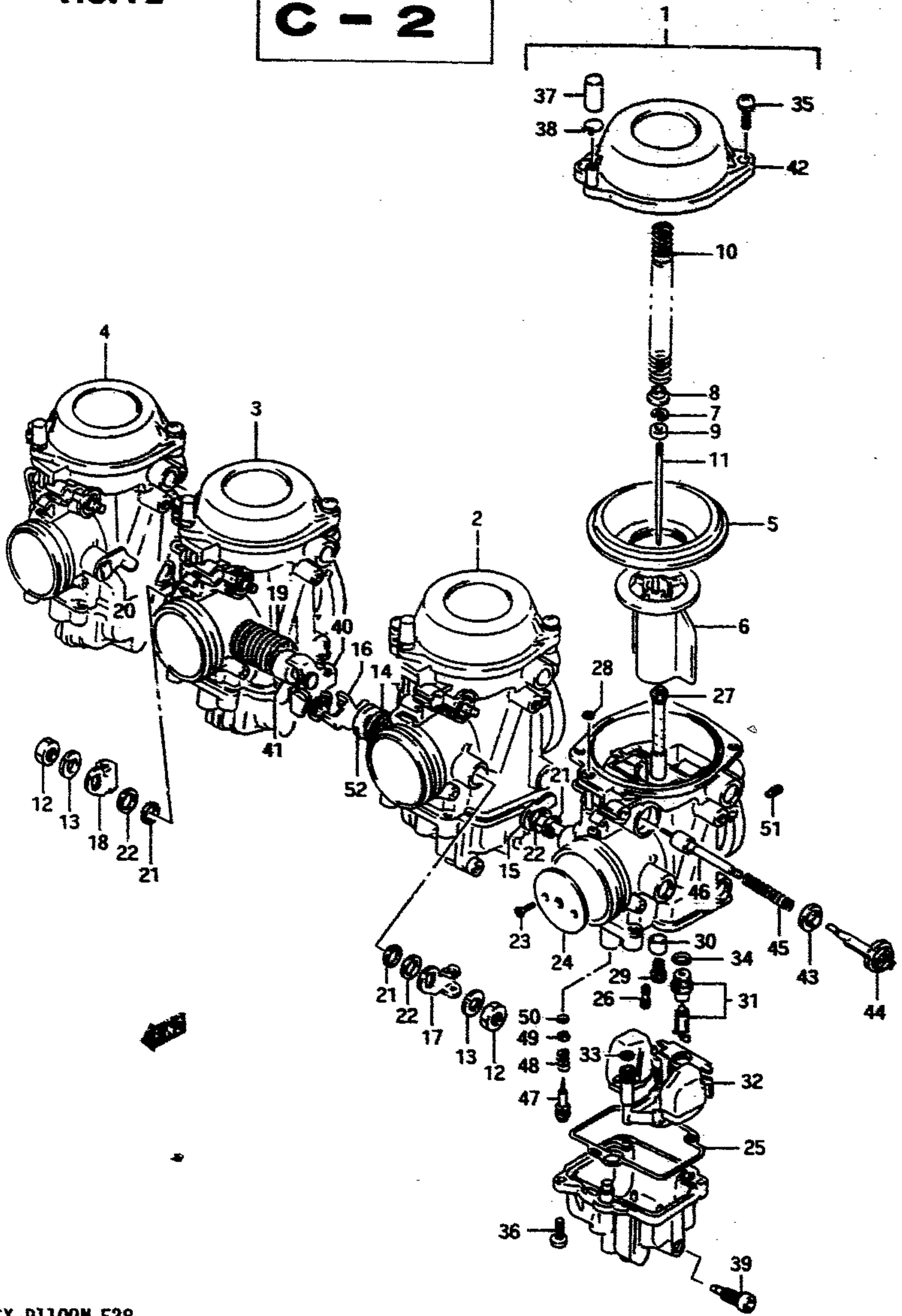
<b>CARBURETOR</b> 	<b>C-2 CARBURETOR FITTINGS</b> 	<b>C-4 AIR CLEANER</b> 	<b>C-5 MUFFLER</b> 	<b>C-6 OIL COOLER</b> 	<b>C-7</b> 

AIR CLEANER.....C-5	CLUTCH MASTER CYL-G-12	CYL HEAD COVER-B-2	FR FENDER.....G-5	HEADLAMP.....E-8	RR FENDER.....H-4	STARTER CLUTCH..B-11
ALTERNATOR.....E-3	COSLING BODY.....H-8	ELECTRICAL.....E-6	FR MASTER CYL-G-11	MUFFLER.....C-6	RR MASTER CYL...H-7	STARTING MOTOR..E-2
BATTERY.....E-5	COMLING FIT SET...H-12	FOOTREST.....F-4	FR WHEEL.....G-6	OIL COOLER.....C-7	RR SWINGING ARM..H-2	STEERING DAMPER-G-4
CAM CHAIN.....B-14	CRANKCASE.....B-5	FRAME.....F-2	FUEL COCK.....F-7	OIL PAN.....B-8	RR WHEEL.....H-5	STEERING STEM...G-3
CAM SHAFT.....B-12	CRANKCASE COVER...B-7	FRAME COVER....F-10	FUEL TANK.....F-5	OIL PUMP.....B-9	SEAT.....F-8	TAIL LAMP.....E-10
CARBURETOR.....C-2	CRANKSHAFT.....B-10	FR BRAKE HOSE..G-10	GEAR SHIFTING-D-5	OPTIONAL.....H-14	SIGNAL GENERATOR-E-4	TRANSMISSION....D-3
CARBURETOR FIT-C-4	CYLINDER.....B-4	FR CALIPERS....G-9	HANDLE SWITCH-G-8	REAR CALIPER....H-6	SPEEDOMETER.....E-7	TURNSIGNAL LAMP-E-9
CLUTCH.....D-2	CYLINDER HEAD....B-3	FR DAMPER.....G-2	HANDLEBAR.....G-7	RR CUSHION LEVER-H-3	STAND.....F-3	WIRING HARNESS..E-11

FIG.12

C - 2

FIG.12 ( C- 2) CARBURETOR



REF.NO.	PART NO.	DESCRIPTION	Q'TY	REMARKS
1	13201-41C40	CARBURETOR ASSY, LH	1	
2	13202-41C40	CARBURETOR ASSY, ML	1	
3	13203-41C40	CARBURETOR ASSY, MR	1	
4	13204-41C40	CARBURETOR ASSY, RH	1	
5	13507-07D00	.DIAPHRAGM	4	
6	13501-17D00	.VALVE, piston	4	
7	13394-31210	.E RING	4	
8	13382-17D00	.RING	4	
9	13387-41C00	.RING	4	
10	13417-17D00	.SPRING	4	
11	13383-41C00	.NEEDLE, jet (60Z13-3)	4	
12	08310-22086	.NUT	2	ML,MR
13	08321-31086	.LOCK WASHER	2	ML,MR
14	13573-07D00	.SPRING	1	ML
15	13550-07D00	.SHAFT ASSY	1	LH
16	13550-07D10	.SHAFT ASSY	1	ML
17	13553-17C00	.LEVER	1	ML
18	13553-44B00	.LEVER	1	MR
19	13573-07D10	.SPRING	1	MR
20	13550-07D30	.SHAFT ASSY	1	RH
21	13556-44B00	.SEAL	6	LH,RH:1,ML:MR:2
22	13557-47070	.WASHER	4	
23	13604-07D00	.SCREW	8	
24	13551-07D00	.VALVE, throttle (120)	4	
25	13258-44B00	.GASKET, float chamber	4	
26	09492-40014	.JET, pilot (40)	4	
27	09494-00721	.JET, needle (P-2)	4	
28	13278-02340	.O RING	4	
29	09491-25010	.JET, main (125)	4	
30	13331-07D00	.RING	4	
31	13370-07D00	.VALVE ASSY, needle	4	

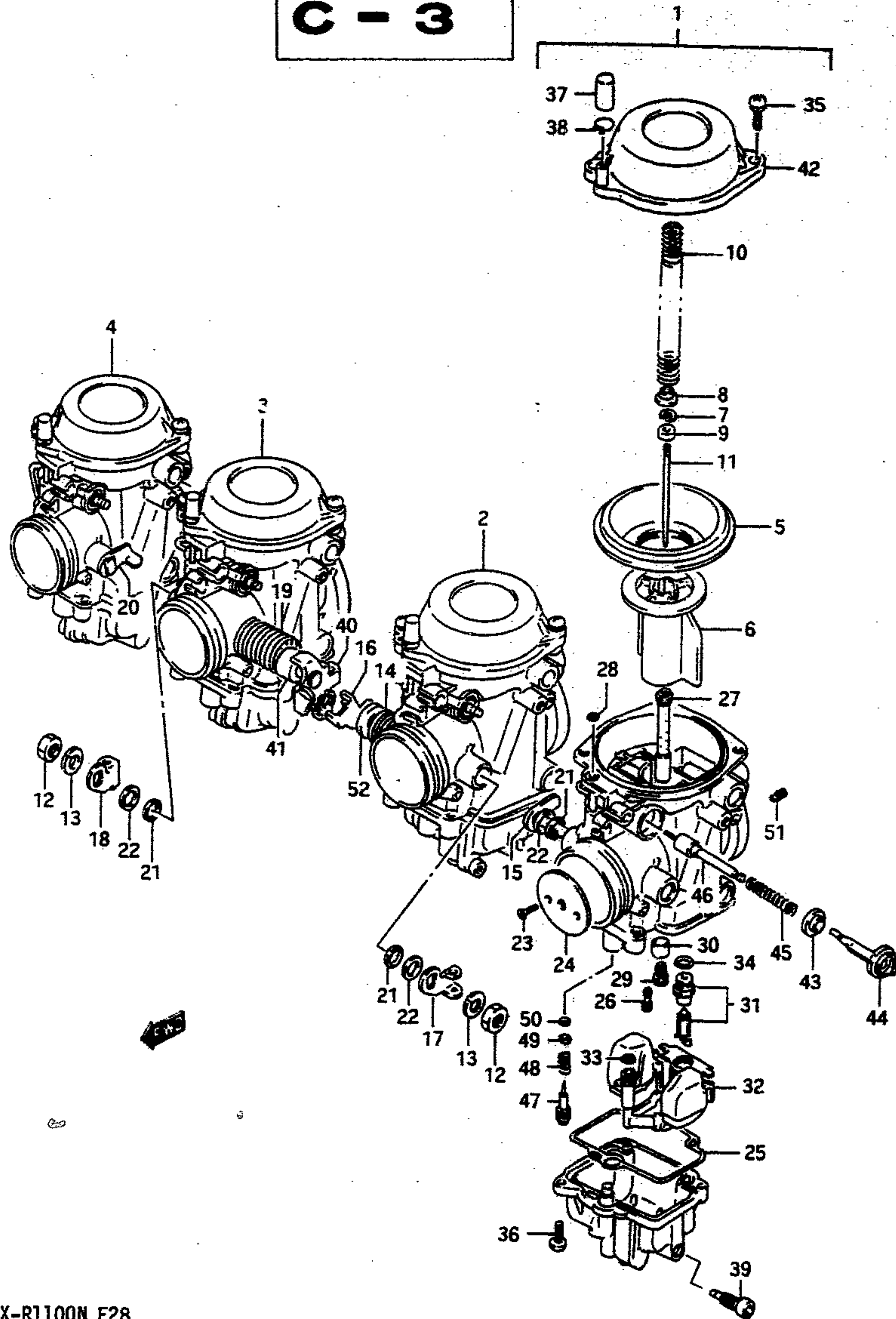
GSX-R1100N E28

GSX-R1100N E28

AIR CLEANER...C-5	CLUTCH MASTER CYL...G-12	CYL HEAD COVER...B-2	FR FENDER...G-5	HEADLAMP...E-8	RR FENDER...H-4	STARTER CLUTCH...B-11
ALTERNATOR...E-3	COSLING BODY...H-8	ELECTRICAL...E-6	FR MASTER CYL...G-11	MUFFLER...C-6	RR MASTER CYL...H-7	STARTING MOTOR...E-2
BATTERY...E-5	COWLING FIT SET...H-12	FOOTREST...F-4	FR WHEEL...G-6	OIL COOLER...C-7	RR SWINGING ARM...H-2	STEERING DAMPER...G-4
CAM CHAIN...B-14	CRANKCASE...B-5	FRAME...F-2	FUEL COCK...F-7	OIL PAN...B-8	RR WHEEL...H-5	STEERING STEM...G-3
CAM SHAFT...B-12	CRANKCASE COVER...B-7	FRAME COVER...F-10	FUEL TANK...F-5	OIL PUMP...B-9	SEAT...F-8	TAIL LAMP...E-10
CARBURETOR...C-2	CRANKSHAFT...B-10	FR BRAKE HOSE...G-10	GEAR SHIFTING...D-5	OPTIONAL...H-14	SIGNAL GENERATOR...E-4	TRANSMISSION...D-3
CARBURETOR FIT...C-4	CYLINDER...B-4	FR CALIPERS...G-9	HANDLE SWITCH...G-8	REAR CALIPER...H-6	SPEEDOMETER...E-7	TURNSIGNAL LAMP...E-9
CLUTCH...D-2	CYLINDER HEAD...B-3	FR DAMPER...G-2	HANDLEBAR...G-7	RR CUSHION LEVER...H-3	STAND...F-3	WIRING HARNESS...E-11

FIG.12

C - 3



GSX-R1100N E28

FIG.12 ( C-3) CARBURETOR

REF.NO.	PART NO.	DESCRIPTION	Q'TY	REMARKS
32	13240-07000	.FLOAT ASSY	4	
33	13374-46710	.O RING	4	
34	13374-44080	.O RING	4	
35	13602-34390	.SCREW	8	
36	02112-05128	.SCREW	8	
37	13508-17C00	.CAP	4	
38	13671-33600	.CLIP	4	
39	13247-02340	.SCREW, drain	4	
40	13550-07D20	.SHAFT ASSY	1	MR
41	13557-05A20	.RING	1	MR
42	13502-41C00	.COVER, diaphragm	4	
43	13418-17C00	.CAP, starter	4	
44	13418-17C10	.HOLDER	4	
45	13417-09110	.SPRING	4	
46	13411-05320	.PLUNGER ASSY	4	
47	13279-47070	.SCREW, air (2.0)	4	
48	13268-47070	.SPRING	4	
49	13291-29900	.WASHER	4	
50	13295-29900	.O RING	4	
51	09493-25003	.JET, air (1.25)	4	
52	13557-07D00	.RING	1	ML

GSX-R1100N E28

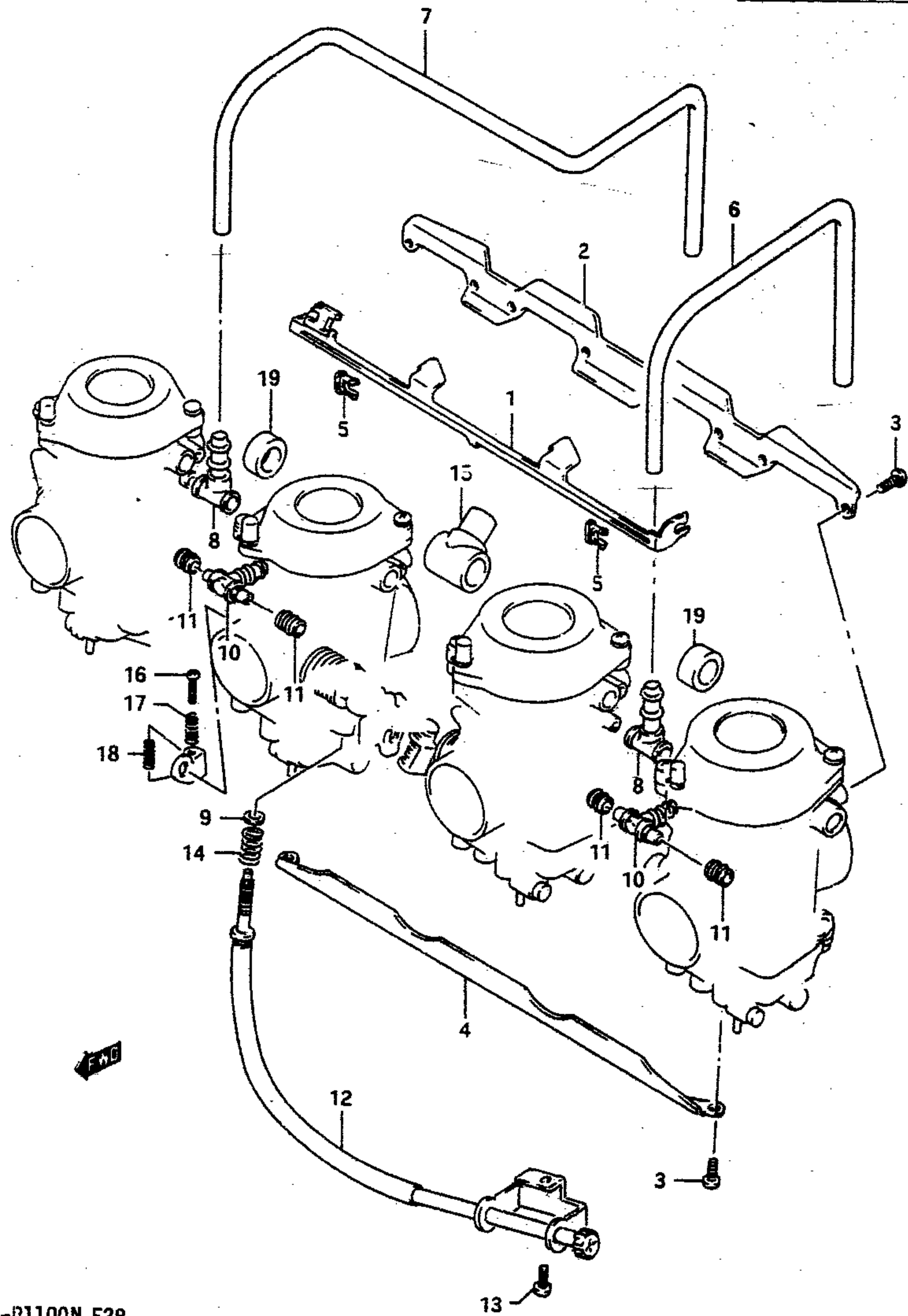
AIR CLEANER.....C-5	CLUTCH MASTER CYL.....G-12	CYL HEAD COVER.....B-2	FR FENDER.....G-5	HEADLAMP.....E-8	RR FENDER.....H-4	STARTER CLUTCH.....B-11
ALTERNATOR.....E-3	COSLING BODY.....H-8	ELECTRICAL.....E-6	FR MASTER CYL.....G-11	MUFFLER.....C-6	RR MASTER CYL.....H-7	STARTING MOTOR.....E-2
BATTERY.....E-5	COWLING FIT SET.....H-12	FOOTREST.....F-4	FR WHEEL.....G-6	OIL COOLER.....C-7	RR SWINGING ARM.....H-2	STEERING DAMPER.....G-4
CAM CHAIN.....B-14	CRANKCASE.....B-5	FRAME.....F-2	FUEL COCK.....F-7	OIL PAN.....B-8	RR WHEEL.....H-5	STEERING STEM.....G-3
CAM SHAFT.....B-12	CRANKCASE COVER.....B-7	FRAME COVER.....F-10	FUEL TANK.....F-5	OIL PUMP.....B-9	SEAT.....F-8	TAIL LAMP.....E-10
CARBURETOR.....C-2	CRANKSHAFT.....B-10	FR BRAKE HOSE.....G-10	GEAR SHIFTING.....D-5	OPTIONAL.....H-14	SIGNAL GENERATOR.....E-4	TRANSMISSION.....D-3
CARBURETOR FIT.....C-4	CYLINDER.....B-4	FR CALIPERS.....G-9	HANDLE SWITCH.....G-8	REAR CALIPER.....H-6	SPEEDOMETER.....E-7	URNSIGNAL LAMP.....E-9
CLUTCH.....D-2	CYLINDER HEAD.....B-3	FR DAMPER.....G-2	HANDLEBAR.....G-7	RR CUSHION LEVER.....H-3	STAND.....F-3	WIRING HARNESS.....E-11

FIG. 13

C-4

16

FIG. 13 ( C-4 ) CARBURETOR FITTINGS



REF. NO.	PART NO.	DESCRIPTION	Q'TY	REMARKS
1	13413-20C00	LEVER, starter	1	
2	13628-07D00	PLATE	1	
3	02112-05128	.SCREW	16	
4	13628-17C00	PLATE	1	
5	13439-17C00	HOLDER	2	
6	13683-41C00	HOSE	1	
7	13683-41C10	HOSE	1	
8	13684-20C10	HOSE	2	
9	13427-38300	WASHER	1	
10	13685-44B00	NIPPLE	2	
11	13673-44B00	SEAL	4	
12	13279-41C00	ADJUSTER	1	
13	02112-05106	SCREW	1	
14	13375-60A00	SCREW	1	
15	13680-17D00	HOSE ASSY	1	
16	13267-44B00	SCREW	3	
17	13271-44B00	SPRING	3	
18	13268-17C10	SPRING	3	
19	13683-17D00	HOSE	2	

GSX-R1100N E28

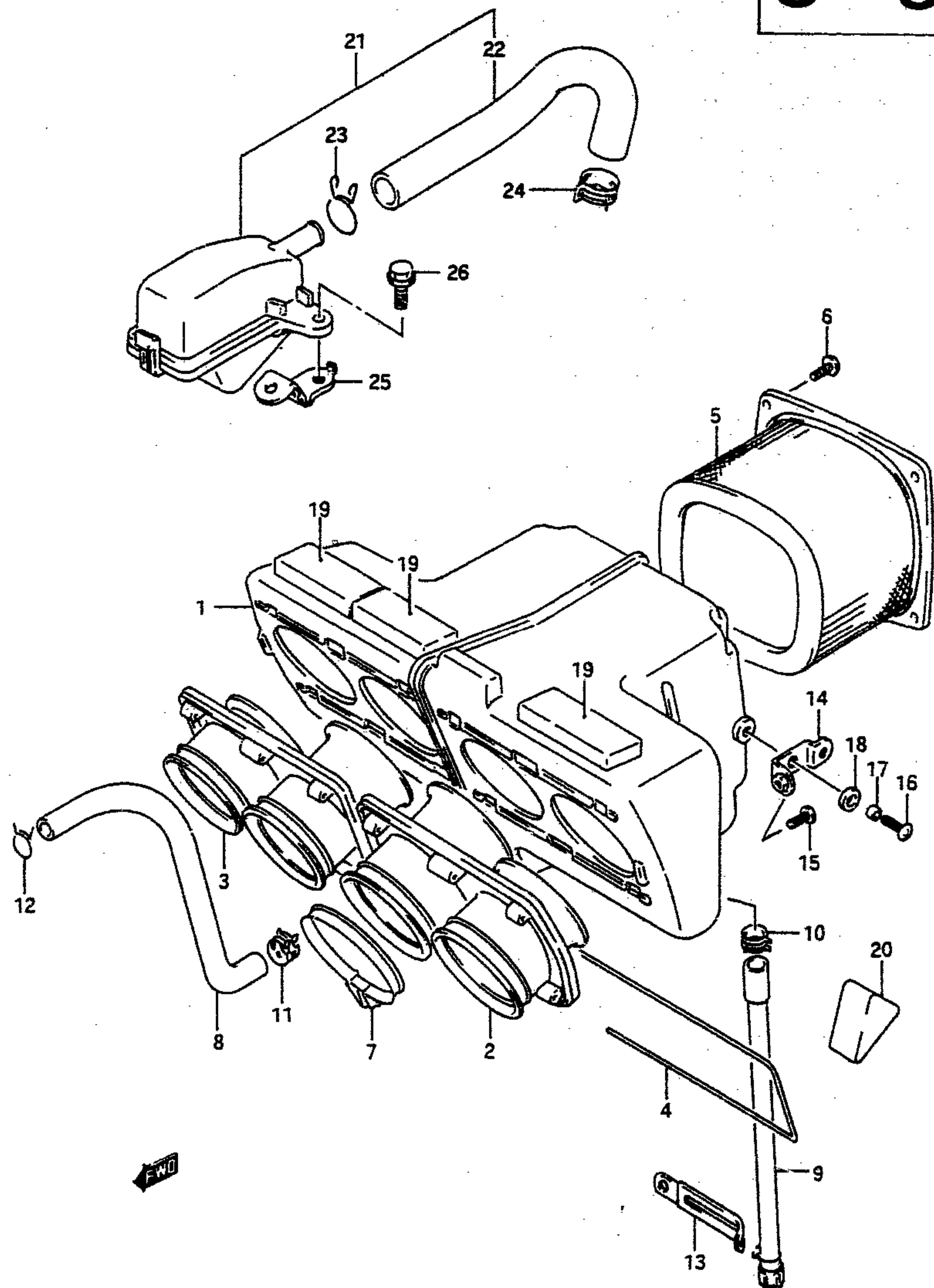
GSX-R1100N E28

AIR CLEANER...C-5	CLUTCH MASTER CYL...G-12	CYL HEAD COVER...B-2	FR FENDER...G-5	HEADLAMP...E-8	RR FENDER...H-4	STARTER CLUTCH...B-11
ALTERNATOR...E-3	COSLING BODY...H-8	ELECTRICAL...E-6	FR MASTER CYL...G-11	MUFFLER...C-6	RR MASTER CYL...H-7	STARTING MOTOR...E-2
BATTERY...E-5	COWLING FIT SET...H-12	FOOTREST...F-4	FR WHEEL...G-6	OIL COOLER...C-7	RR SWINGING ARM...H-2	STEERING DAMPER...G-4
CAM CHAIN...B-14	CRANKCASE...B-5	FRAME...F-2	FUEL COCK...F-7	OIL PAN...B-8	RR WHEEL...H-5	STEERING STEM...G-3
CAM SHAFT...B-12	CRANKCASE COVER...B-7	FRAME COVER...F-10	FUEL TANK...F-5	OIL PUMP...B-9	SEAT...F-8	TAIL LAMP...E-10
CARBURETOR...C-2	CRANKSHAFT...B-10	FR BRAKE HOSE...G-10	GEAR SHIFTING...D-5	OPTIONAL...H-14	SIGNAL GENERATOR...E-4	TRANSMISSION...D-3
CARBURETOR FIT...C-4	CYLINDER...B-4	FR CALIPERS...G-9	HANDLE SWITCH...G-8	REAR CALIPER...H-6	SPEEDOMETER...E-7	URNSIGNAL LAMP...E-9
CLUTCH...D-2	CYLINDER HEAD...B-3	FR DAMPER...G-2	HANDLEBAR...G-7	RR CUSHION LEVER...H-3	STAND...F-3	WIRING HARNESS...E-11



FIG. 14

C-5



17

FIG.14 ( C- 5) AIR CLEANER

REF.NO.	PART NO.	DESCRIPTION	Q'TY	REMARKS
1	13720-07000	CASE, air cleaner	1	
2	13880-07000	TUBE, outlet,LH	1	
3	13890-07000	TUBE, outlet,RH	1	
4	13899-17C01	SHAFT, outlet tube	2	
5	13780-17C00	FILTER ASSY, air	1	
6	02142-05164	SCREW	4	
7	09402-64205	CLAMP	4	
8	13854-40C00	TUBE, breather	1	
9	13870-41C00	TUBE, drain	1	
10	09401-13406	CLIP	1	
11	13824-40B10	CLIP	1	
12	09401-16402	CLIP	1	
13	09404-10404	CLAMP, drain tube	1	
14	13760-17C01	BRACKET, CLEANER CASE	2	
15	02142-06166	SCREW	2	
16	09125-06029	SCREW (6x18)	2	
17	09180-06073	SPACER	2	
18	09161-09003	WASHER	2	
19	13848-17C00	CUSHION, case	3	
20	13897-17C00	CUSHION, air vent hose, No.1	1	
21	13700-17D10	CLEANER ASSY, 2nd air	1	
22	13853-17D10	.TUBE, 2nd air cleaner	1	
23	13824-17D10	.CLIP	1	
24	13826-17D10	.CLAMP	1	
25	13760-41C10	BRACKET, 2nd air cleaner	1	
26	01517-06164	BOLT	1	

GSX-R1100N E28

GSX-R1100N E28

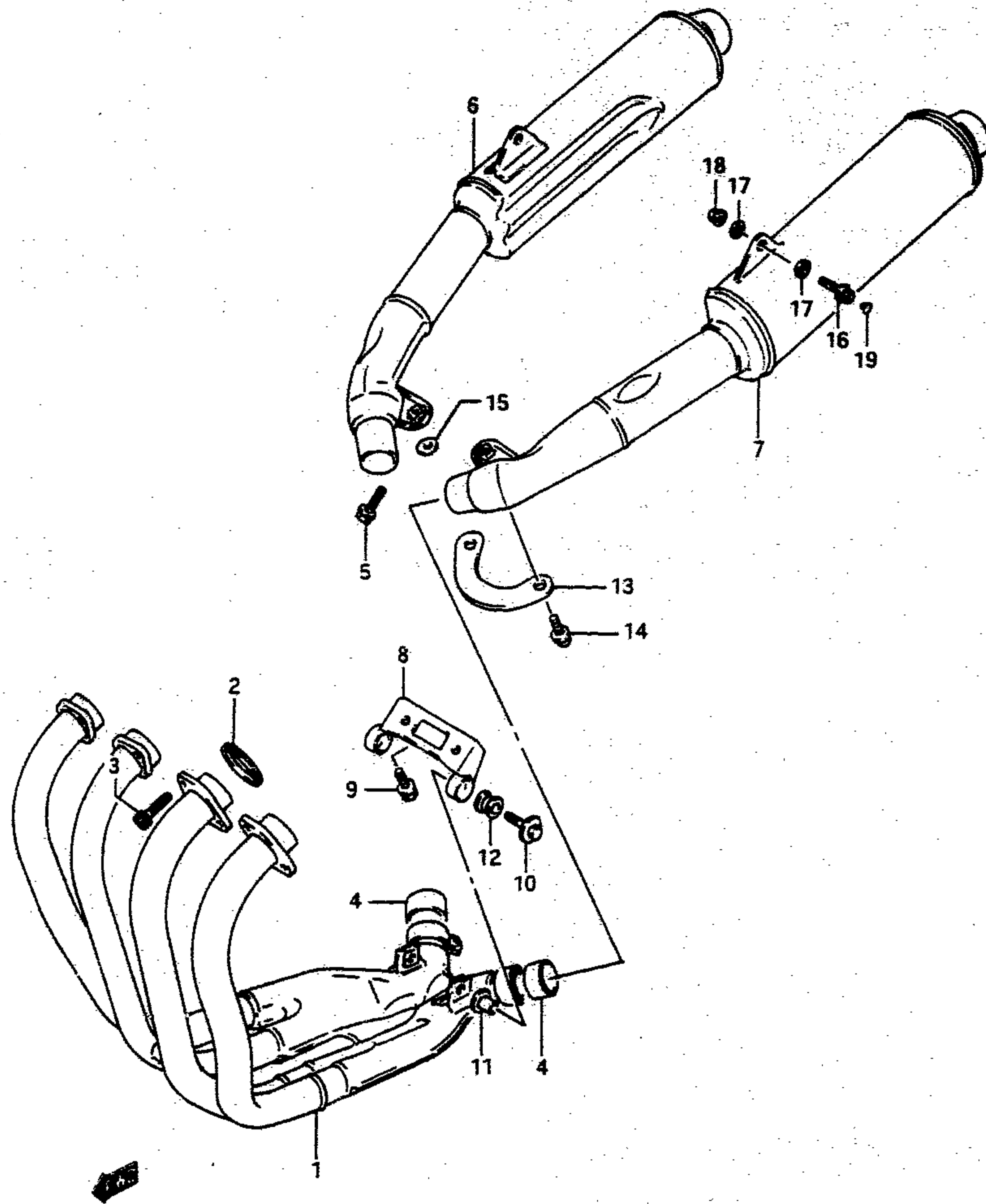
AIR CLEANER.....C-5	CLUTCH MASTER CYL.....G-12	CYL HEAD COVER.....B-2	FR FENDER.....G-5	HEADLAMP.....E-8	RR FENDER.....H-4	STARTER CLUTCH.....B-11
ALTERNATOR.....E-3	COSLING BODY.....H-8	ELECTRICAL.....E-6	FR MASTER CYL.....G-11	MUFFLER.....C-6	RR MASTER CYL.....H-7	STARTING MOTOR.....E-2
BATTERY.....E-5	COWLING FIT SET.....H-12	FOOTREST.....F-4	FR WHEEL.....G-6	OIL COOLER.....C-7	RR SWINGING ARM.....H-2	STEERING DAMPER.....G-4
CAM CHAIN.....B-14	CRANKCASE.....B-5	FRAME.....F-2	FUEL COCK.....F-7	OIL PAN.....B-8	RR WHEEL.....H-5	STEERING STEM.....G-3
CAM SHAFT.....B-12	CRANKCASE COVER.....B-7	FRAME COVER.....F-10	FUEL TANK.....F-5	OIL PUMP.....B-9	SEAT.....F-8	TAIL LAMP.....E-10
CARBURETOR.....C-2	CRANKSHAFT.....B-10	FR BRAKE HOSE.....G-10	GEAR SHIFTING.....D-5	OPTIONAL.....H-14	SIGNAL GENERATOR.....E-4	TRANSMISSION.....D-3
CARBURETOR FIT.....C-4	CYLINDER.....B-4	FR CALIPERS.....G-9	HANDLE SWITCH.....G-8	REAR CALIPER.....H-6	SPEEDOMETER.....E-7	TURN SIGNAL LAMP.....E-9
CLUTCH.....D-2	CYLINDER HEAD.....B-3	FR DAMPER.....G-2	HANDLEBAR.....G-7	RR CUSHION LEVER.....H-3	STAND.....F-3	WIRING HARNESS.....E-11

FIG. 15

C - 6

18

FIG. 15 ( C - 6 ) MUFFLER



REF. NO.	PART NO.	DESCRIPTION	Q'TY	REMARKS
1	14100-40C04-H01	EXHAUST ASSY	1	
2	14101-40C00	GASKET, exhaust pipe	4	
3	07110-08255	BOLT	8	
4	14771-44800	CONNECTOR, muffer	2	
5	01517-08407	BOLT	2	
6	14310-41C00	MUFFLER, RH	1	
7	14340-41C01	MUFFLER, LH	1	
8	14770-40C10	DAMPER, muffer support	1	
9	09100-08240	BOLT (8x20)	2	
10	09118-08080	BOLT (8x35)	2	
11	09180-08157	SPACER	2	
12	09320-12057	CUSHION	2	
13	14761-40C01	PLATE, muffer joint	1	
14	01127-08166	BOLT	2	
15	09160-08002	WASHER (8.5x29x1.6)	1	
16-1	07120-10357	BOLT	1	RH
16-2	07120-10407	BOLT	1	LH
17	09160-10066	WASHER	4	
18-1	08316-16105	NUT	1	RH
18-2	08319-31105	NUT	1	LH
19	09250-08012	CAP	2	

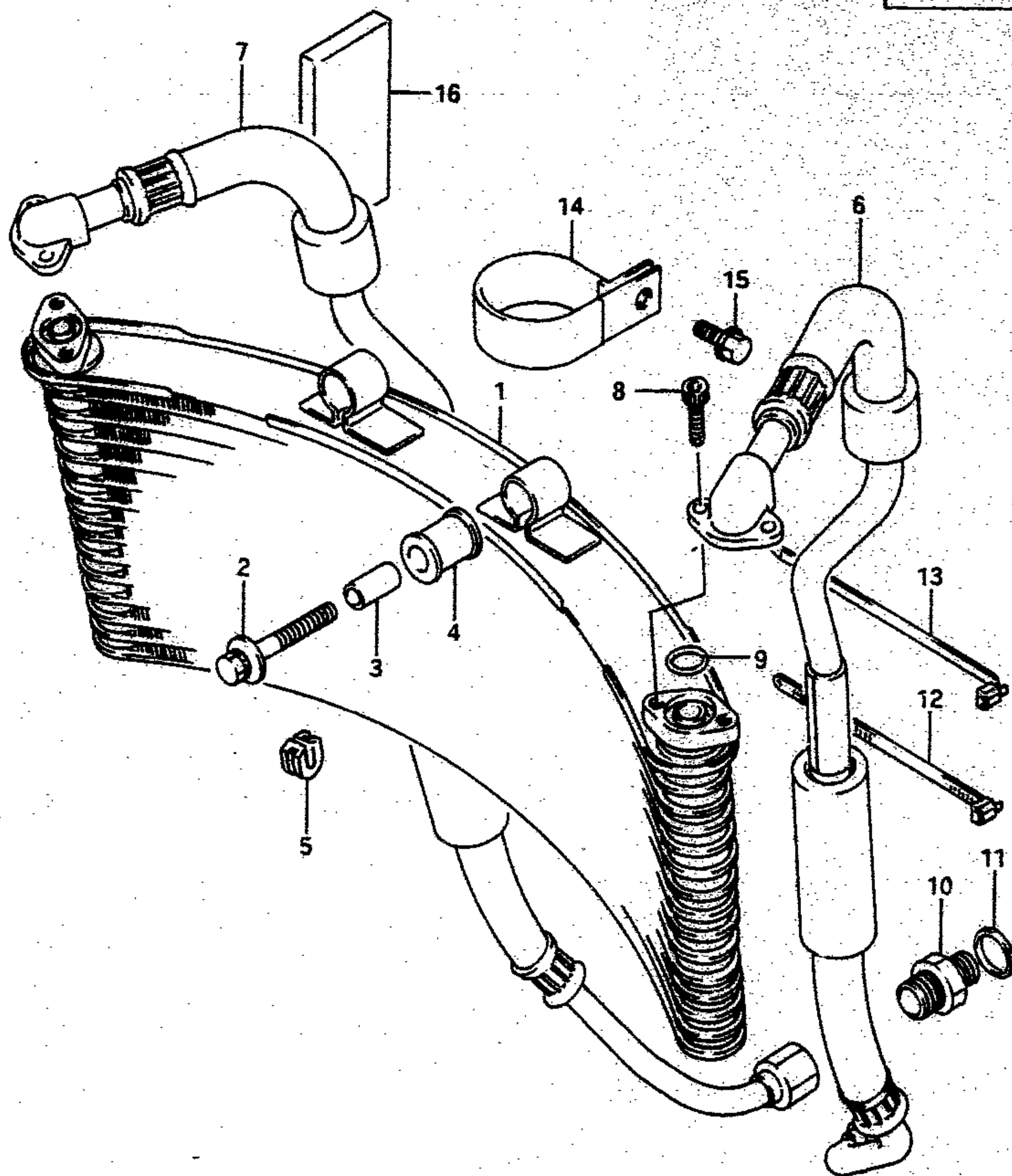
GSX-R1100N E28

GSX-R1100N E28

AIR CLEANER.....C-5	CLUTCH MASTER CYL.....G-12	CYL HEAD COVER.....B-2	FR FENDER.....G-5	HEADLAMP.....E-8	RR FENDER.....H-4	STARTER CLUTCH.....B-11
ALTERNATOR.....E-3	COSLING BODY.....H-8	ELECTRICAL.....E-6	FR MASTER CYL.....G-11	MUFFLER.....C-6	RR MASTER CYL.....H-7	STARTING MOTOR.....E-2
BATTERY.....E-5	COWLING FIT SET.....H-12	FOOTREST.....F-4	FR WHEEL.....G-6	OIL COOLER.....C-7	RR SWINGING ARM.....H-2	STEERING DAMPER.....G-4
CAM CHAIN.....B-14	CRANKCASE.....B-5	FRAME.....F-2	FUEL COCK.....F-7	OIL PAN.....B-8	RR WHEEL.....H-5	STEERING STEM.....G-3
CAM SHAFT.....B-12	CRANKCASE COVER.....B-7	FRAME COVER.....F-10	FUEL TANK.....F-5	OIL PUMP.....B-9	SEAT.....F-8	TAIL LAMP.....E-10
CARBURETOR.....C-2	CRANKSHAFT.....B-10	FR BRAKE HOSE.....G-10	GEAR SHIFTING.....D-5	OPTIONAL.....H-14	SIGNAL GENERATOR.....E-4	TRANSMISSION.....D-3
CARBURETOR FIT.....C-4	CYLINDER.....B-4	FR CALIPERS.....G-9	HANDLE SWITCH.....G-8	REAR CALIPER.....H-6	SPEEDOMETER.....E-7	URNSIGNAL LAMP.....E-9
CLUTCH.....D-2	CYLINDER HEAD.....B-3	FR DAMPER.....G-2	HANDLEBAR.....G-7	RR CUSHION LEVER.....H-3	STAND.....F-3	WIRING HARNESS.....E-11

FIG. 16

C-7



19

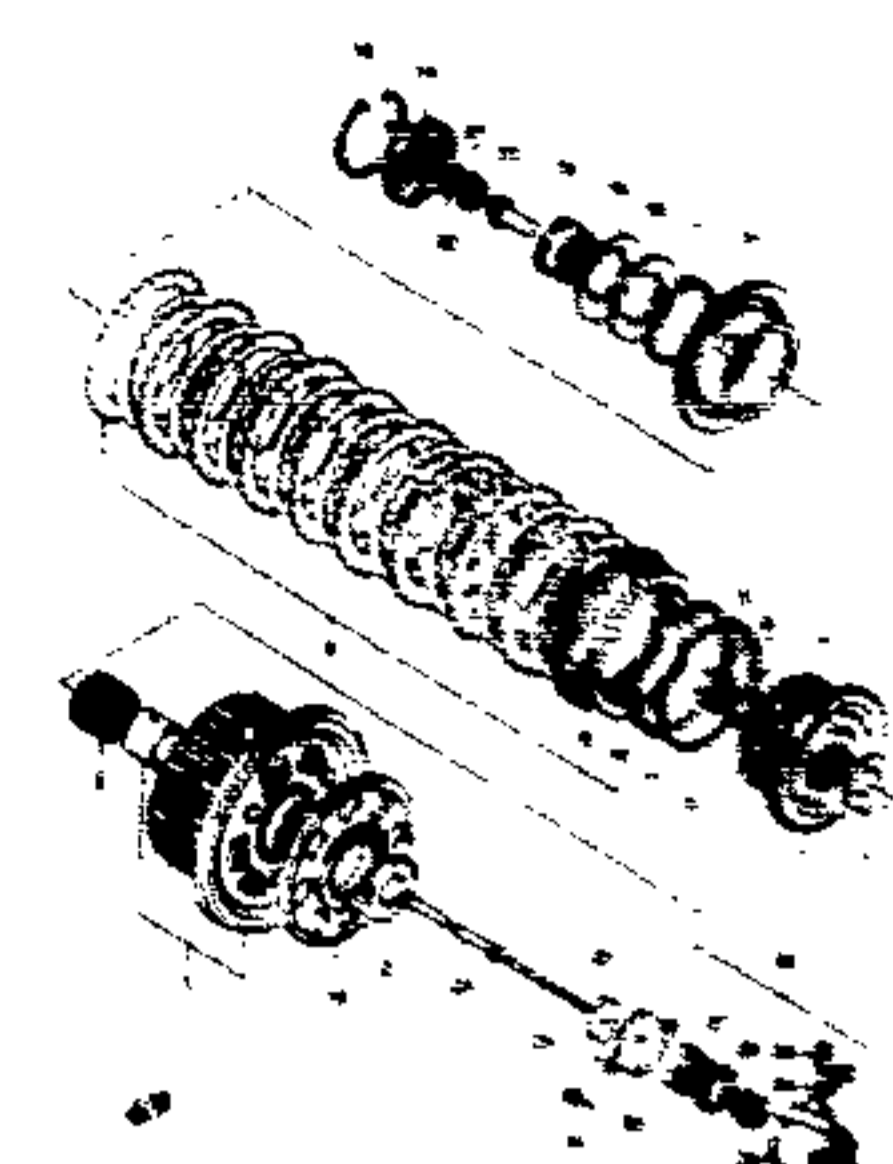
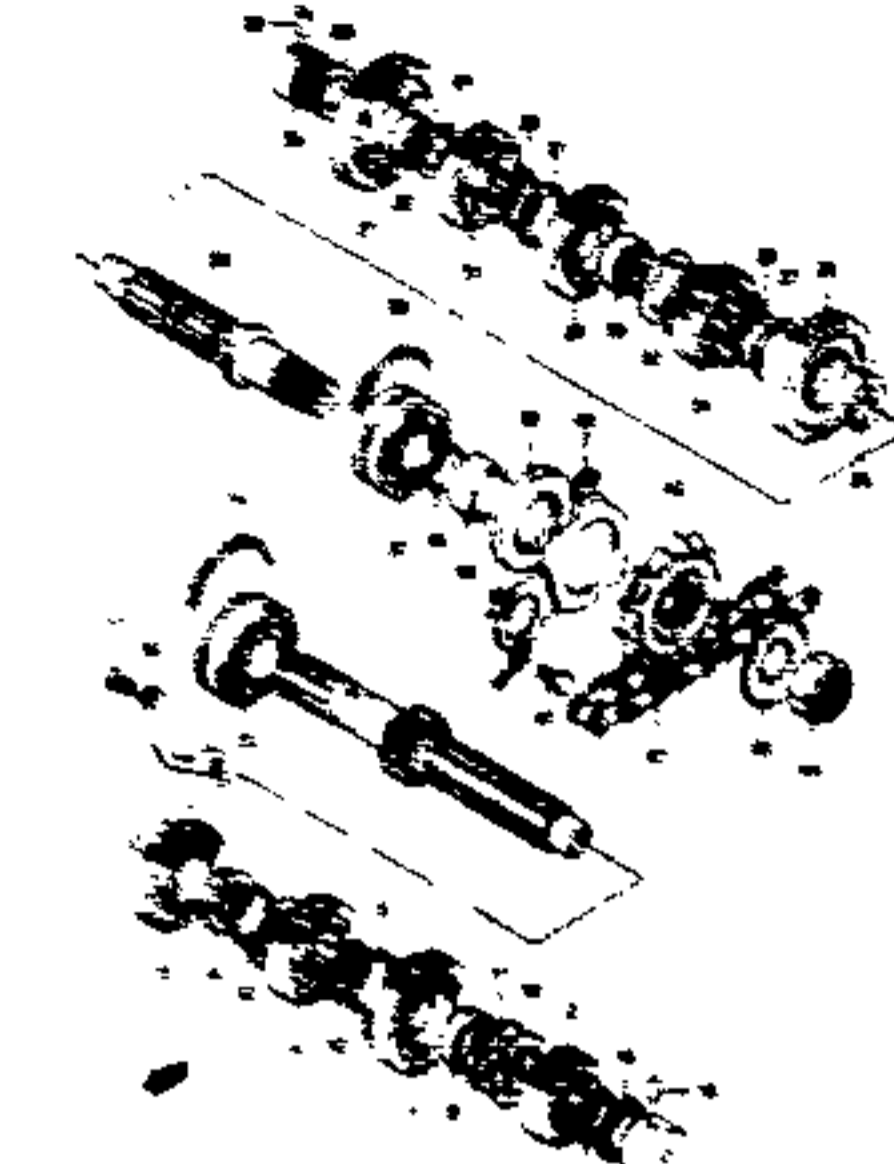
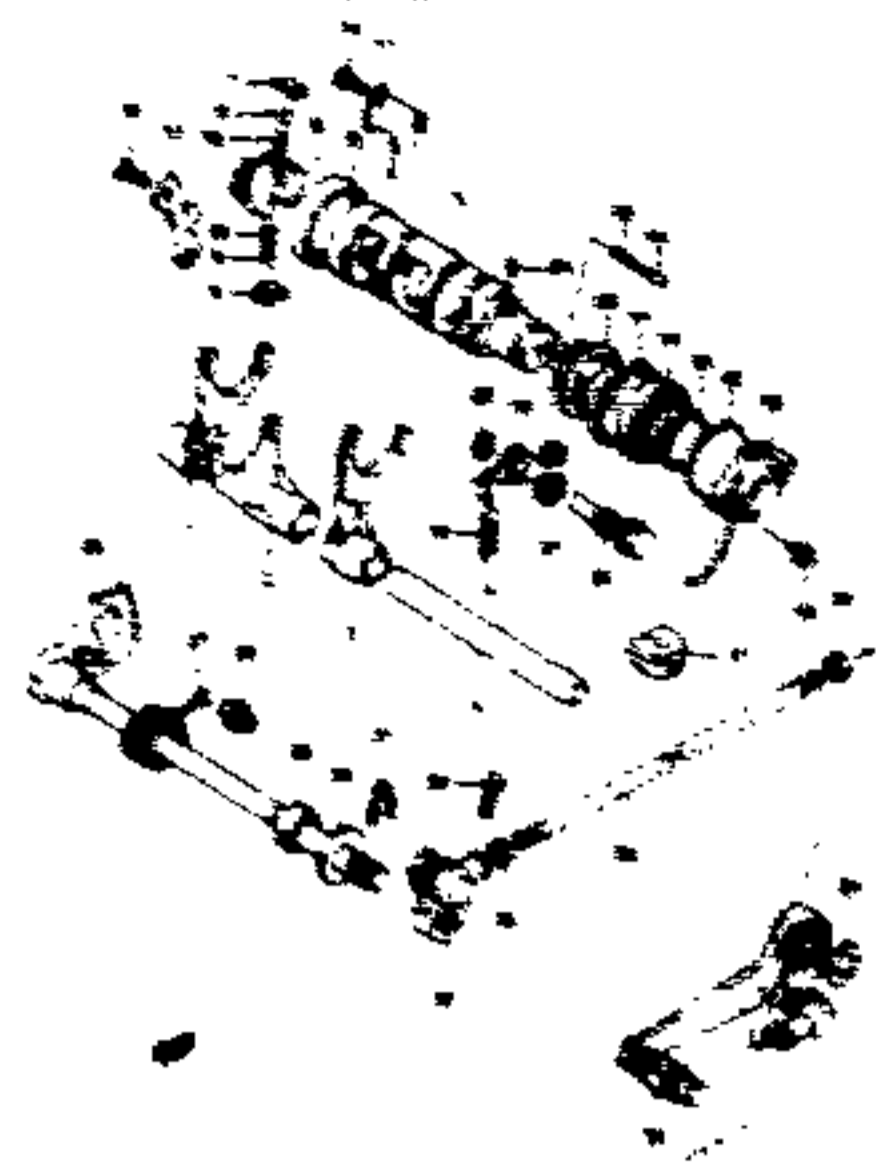
FIG. 16 ( C-7) OIL COOLER

REF. NO.	PART NO.	DESCRIPTION	Q'TY	REMARKS
1	16600-40C03	COOLER ASSY, oil	1	
2	09118-08131	BOLT (8x40)	2	
3	09180-08124	SPACER (8.8x12x24.5)	2	
4	16629-27A01	CUSHION, No.1	2	
5	16628-27A00	CUSHION, No.2	2	
6	16460-40C10	HOSE, oil cooler LH	1	
7	16470-40C10	HOSE, oil cooler RH	1	
8	07110-06165	BOLT	4	
9	09280-12008	O RING	2	
10	09360-20002	BOLT, union	2	
11	09168-16002	GASKET (16x22x2)	2	
12	09407-22404	CLAMP (L:220)	2	
13	09407-25401	CLAMP	2	
14	09403-38401	CLAMP	2	
15	01517-06128	BOLT	2	
16	94435-17D00	PROTECTOR	2	

GSX-R1100N E28

GSX-R1100N E28

AIR CLEANER...C-5	CLUTCH MASTER CYL...G-12	CYL HEAD COVER...B-2	FR FENDER...G-5	HEADLAMP...E-8	RR FENDER...H-4	STARTER CLUTCH...B-11
ALTERNATOR...E-3	COSLING BODY...H-8	ELECTRICAL...E-6	FR MASTER CYL...G-11	MUFFLER...C-6	RR MASTER CYL...H-7	STARTING MOTOR...E-2
BATTERY...E-5	COWLING FIT SET...H-12	FOOTREST...F-4	FR WHEEL...G-6	OIL COOLER...C-7	RR SWINGING ARM...H-2	STEERING DAMPER...G-4
CAM CHAIN...B-14	CRANKCASE...B-5	FRAME...F-2	FUEL COCK...F-7	OIL PAN...B-8	RR WHEEL...H-5	STEERING STEM...G-3
CAM SHAFT...B-12	CRANKCASE COVER...B-7	FRAME COVER...F-10	FUEL TANK...F-5	OIL PUMP...B-9	SEAT...F-8	TAIL LAMP...E-10
CARBURETOR...C-2	CRANKSHAFT...B-10	FR BRAKE HOSE...G-10	GEAR SHIFTING...D-5	OPTIONAL...H-14	SIGNAL GENERATOR...E-4	TRANSMISSION...D-3
CARBURETOR FIT...C-4	CYLINDER...B-4	FR CALIPERS...G-9	HANDLE SWITCH...G-8	REAR CALIPER...H-6	SPEEDOMETER...E-7	URNSIGNAL LAMP...E-9
CLUTCH...D-2	CYLINDER HEAD...B-3	FR DAMPER...G-2	HANDLEBAR...G-7	RR CUSHION LEVER...H-3	STAND...F-3	WIRING HARNESS...E-11

<p><b>CLUTCH</b></p> 	<p><b>D-2 TRANSMISSION</b></p> 	<p><b>D-3 GEAR SHIFTING</b></p> 			

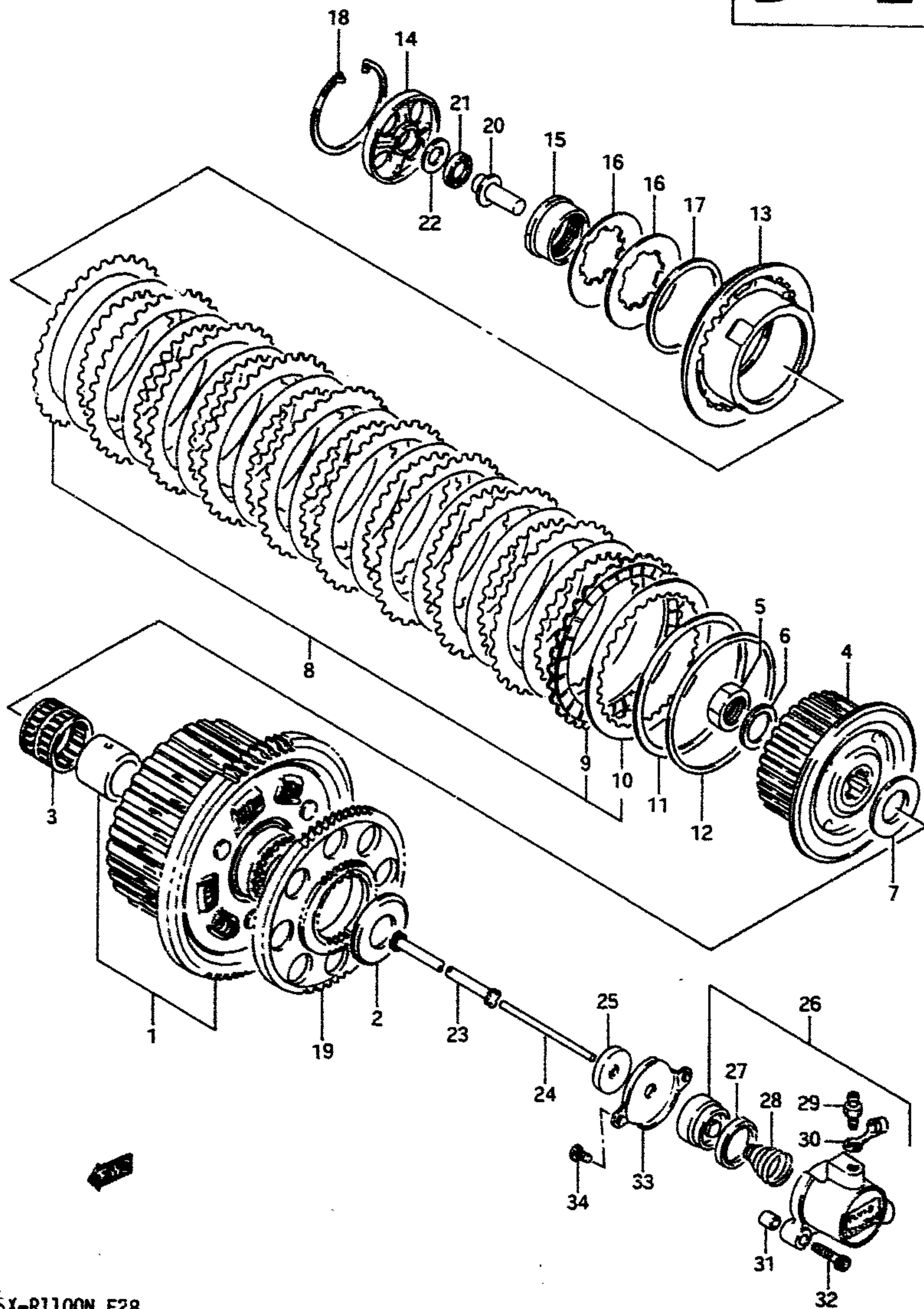
AIR CLEANER.....C-5	CLUTCH MASTER CYL.....G-12	CYL HEAD COVER.....B-2	FR FENDER.....G-5	HEADLAMP.....E-8	RR FENDER.....H-4	STARTER CLUTCH.....B-11
ALTERNATOR.....E-3	COUPLING BODY.....H-8	ELECTRICAL.....E-6	FR MASTER CYL.....G-11	MUFFLER.....C-6	RR MASTER CYL.....H-7	STARTING MOTOR.....E-2
BATTERY.....E-5	COUPLING FIT SET.....H-12	FOOTREST.....F-4	FR WHEEL.....G-6	OIL COOLER.....C-7	RR SWINGING ARM.....H-2	STEERING DAMPER.....G-4
CAM CHAIN.....B-14	CRANKCASE.....B-5	FRAME.....F-2	FUEL COCK.....F-7	OIL PAN.....B-8	RR WHEEL.....H-5	STEERING STEM.....G-3
CAM SHAFT.....B-12	CRANKCASE COVER.....B-7	FRAME COVER.....F-10	FUEL TANK.....F-5	OIL PUMP.....B-9	SEAT.....F-8	TAIL LAMP.....E-10
CARBURETOR.....C-2	CRANKSHAFT.....B-10	FR BRAKE HOSE.....G-10	GEAR SHIFTING.....D-3	OPTIONAL.....H-14	SIGNAL GENERATOR.....E-4	TRANSMISSION.....D-3
CARBURETOR FIT.....C-4	CYLINDER.....B-4	FR CALIPERS.....G-9	HANDLE SWITCH.....G-8	REAR CALIPER.....H-6	SPEEDOMETER.....E-7	TURN SIGNAL LAMP.....E-9
CLUTCH.....D-2	CYLINDER HEAD.....B-3	FR DAMPER.....G-2	HANDLEBAR.....G-7	RR CUSHION LEVER.....H-3	STAND.....F-3	WIRING HARNESS.....E-11

FIG. 17

D - 2

20

FIG. 17 ( D- 2) CLUTCH



REF.NO.	PART NO.	DESCRIPTION	Q'TY	REMARKS
1-1	21200-40813	GEAR, primary driven (NT:72)	1	model M
1-2	21200-40820	GEAR, primary driven (NT:72)	1	model N
2	09160-25067	WASHER	1	
3	09263-35017	BEARING	1	
4	21410-40C01	HUB, sleeve	1	
5	09140-24014	NUT	1	
6	09164-24006	WASHER	1	
7	09160-25056	WASHER (25x50x2.5)	1	
8	21400-40C00	PLATE ASSY, clutch	1	
9	21441-48800	.PLATE, drive No.1 (T:2.6)	10	
10	21451-48800	.PLATE, driven (T:2)	10	
11	09164-00007	WAVE WASHER	1	
12	21471-40C01	SEAT, wave washer	1	
13	21462-40C02	DISC, pressure	1	
14	21463-40C01	LIFTER, clutch pressure disk	1	
15	21611-40C01	HOLDER, clutch spring	1	
16	09164-47001	SPRING	2	
17	21623-40C00	SEAT, clutch spring	1	
18	09381-84002	CIRCLIP	1	
19	22721-06802	GEAR, alternator drive (NT:37/66)	1	
20	23121-07A00	PIECE, push	1	
21	09263-15003	BEARING	1	
22	09160-15015	WASHER (15x28x1)	1	
23	23110-27A00	ROD, push RH	1	
24	23111-05A01	ROD, push LH (L:101.5)	1	
25	09285-06015	OIL SEAL	1	
26	23160-06801	CYLINDER, clutch release	1	
27	23163-06800	.CUP	1	
28	23164-05A00	.SPRING	1	
29	59121-01A00	.BLEEDER	1	
30	59122-01A00	.CAP, bleeder	1	
31	04211-09129	PIN	2	
32	07110-06255	BOLT	2	
33	23117-27A03	COVER, cylinder	1	
34	02112-06106	SCREW	2	

GSX-R1100N E28

GSX-R1100N E28

AIR CLEANER.....C-5	CLUTCH MASTER CYL..G-12	CYL HEAD COVER..B-2	FR FENDER.....G-5	HEADLAMP.....E-8	RR FENDER.....H-4	STARTER CLUTCH..B-11
ALTERNATOR.....E-3	COUPLING BODY.....H-8	ELECTRICAL.....E-6	FR MASTER CYL..G-11	MUFFLER.....C-6	RR MASTER CYL....H-7	STARTING MOTOR..E-2
BATTERY.....E-5	CONVING FIT SET...H-12	FOOTREST.....F-4	FR WHEEL.....G-6	OIL COOLER.....C-7	RR SWINGING ARM..H-2	STEERING DAMPER..G-4
CAM CHAIN.....B-14	CRANKCASE.....B-5	FRAME.....F-2	FUEL COCK.....F-7	OIL PAN.....B-8	RR WHEEL.....H-5	STEERING STEM...G-3
CAM SHAFT.....B-12	CRANKCASE COVER...B-7	FRAME COVER...F-10	FUEL TANK.....F-5	OIL PUMP.....B-9	SEAT.....F-8	TAIL LAMP.....E-10
CARBURETOR.....C-2	CRANKSHAFT.....B-10	FR BRAKE HOSE..G-10	GEAR SHIFTING..D-5	OPTIONAL.....H-14	SIGNAL GENERATOR..E-4	TRANSMISSION....D-3
CARBURETOR FIT..C-4	CYLINDER.....B-4	FR CALIPERS...G-9	HANDLE SWITCH..G-8	REAR CALIPER....H-6	SPEEDOMETER.....E-7	TURNSIGNAL LAMP..E-9
CLUTCH.....D-2	CYLINDER HEAD...B-3	FR DAMPER.....G-2	HANDLEBAR.....G-7	RR CUSHION LEVER..H-3	STAND.....F-3	WIRING HARNESS..E-11

FIG. 18

D - 3

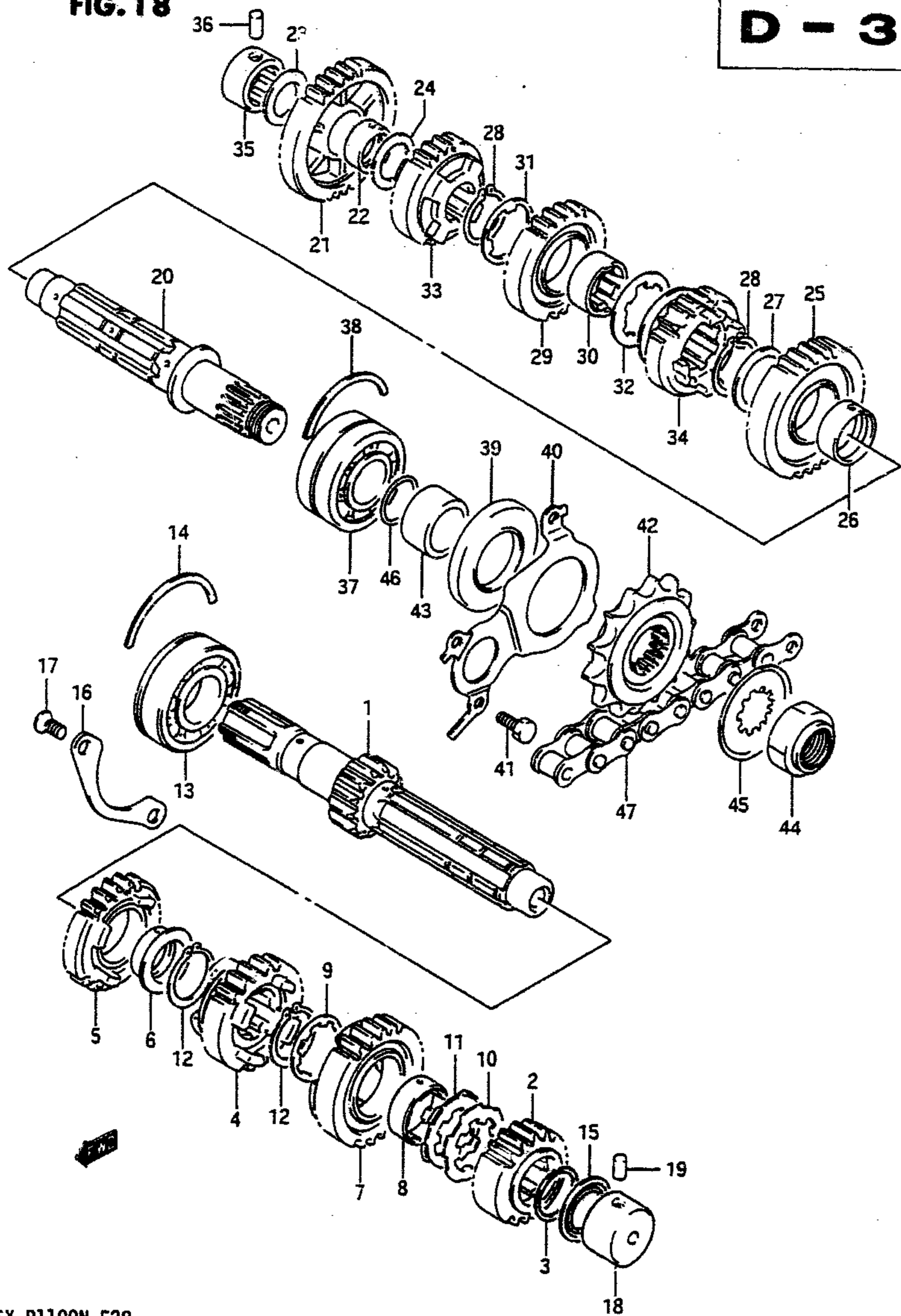


FIG. 18 ( D- 3) TRANSMISSION

REF.NO.	PART NO.	DESCRIPTION	Q'TY	REMARKS
1	24121-40C03	COUNTERSHAFT (NT:13)	1	
2	24221-40C00	GEAR, 2nd drive (NT:19)	1	
3	09380-25013	CIRCLIP	1	
4	24231-48B01	GEAR, 3th drive (NT:20)	1	
5	24241-48B00	GEAR, 4th drive (NT:22)	1	
6	09301-25001	BUSH	1	
7	24251-48B02	GEAR, 5th drive (NT:23)	1	
8	24252-48B00	BUSH	1	
9	09167-25021	WASHER	1	
10	09167-25013	WASHER, lock	1	
11	09169-25001	WASHER, lock	1	
12	09380-25003	CIRCLIP	2	
13	09262-25051	BEARING, RH	1	
14	09390-62011	C RING	1	
15	09285-20006	OIL SEAL	1	
16	24741-27A00	HOLDER, bearing	1	
17	02122-06167	SCREW	2	
18	09263-20049	BEARING, LH	1	
19	04221-07129	PIN	1	
20	24131-40C10	DRIVESHAFT	1	
21	24311-48B00	GEAR, 1st driven (NT:31)	1	
22	09300-22005	BUSH	1	
23	08211-20341	WASHER, RH	1	
24	08211-22341	WASHER, LH	1	
25	24321-48B02	GEAR, 2nd driven (NT:31)	1	
26	09300-28002	BUSH	1	
27	08211-28361	WASHER	1	
28	08331-31286	CIRCLIP	2	

GSX-R1100N E28

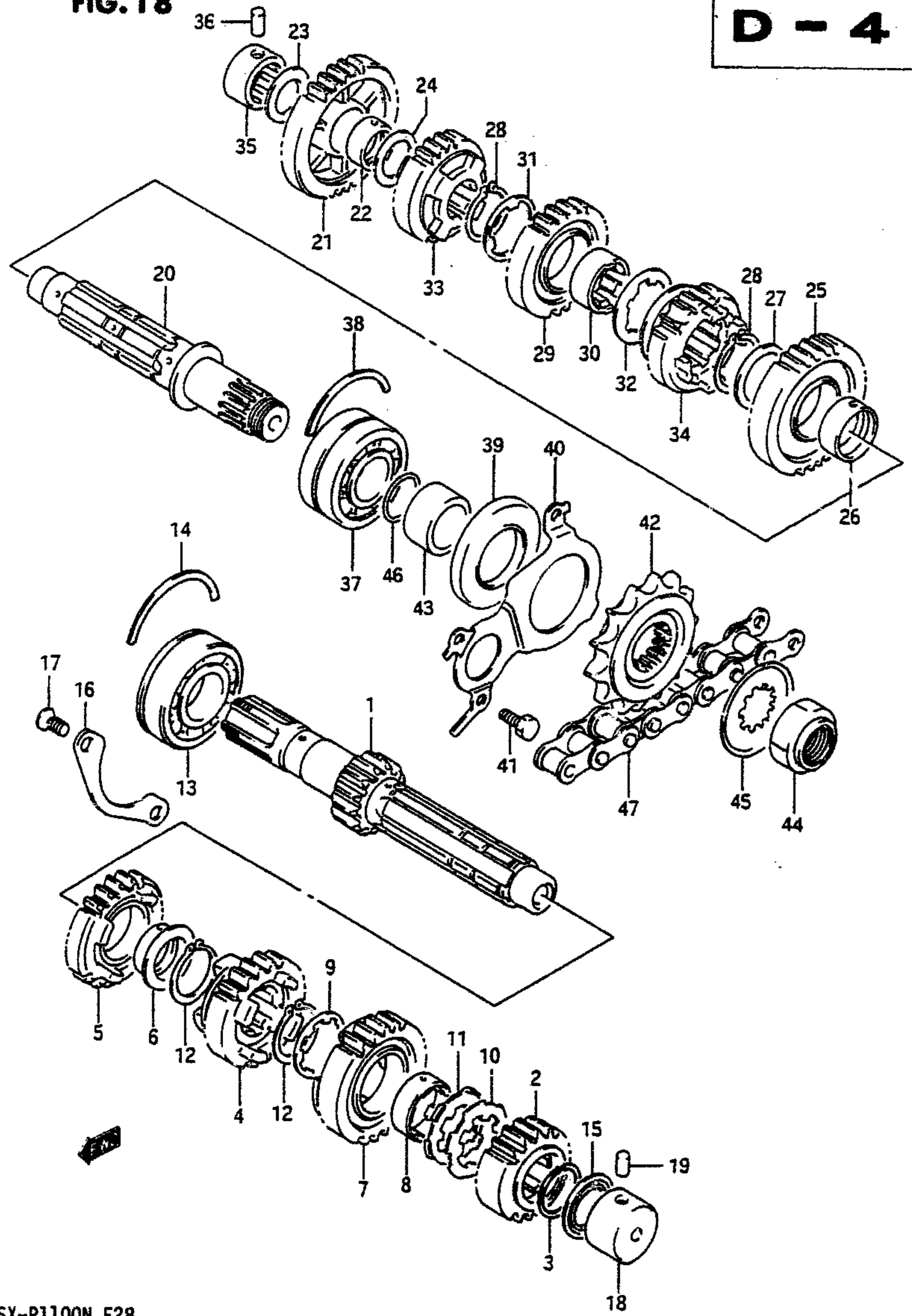
GSX-R1100N E28

AIR CLEANER.....C-5	CLUTCH MASTER CYL..G-12	CYL HEAD COVER..B-2	FR FENDER.....G-5	HEADLAMP.....E-8	RR FENDER.....H-4	STARTER CLUTCH..B-11
ALTERNATOR.....E-3	COSLING BODY.....H-8	ELECTRICAL.....E-6	FR MASTER CYL..G-11	MUFFLER.....C-6	RR MASTER CYL...H-7	STARTING MOTOR..E-2
BATTERY.....E-5	COWLING FIT SET..H-12	FOOTREST.....F-4	FR WHEEL.....G-6	OIL COOLER.....C-7	RR SWINGING ARM..H-2	STEERING DAMPER..G-4
CAM CHAIN.....B-14	CRANKCASE.....B-5	FRAME.....F-2	FUEL COCK.....F-7	OIL PAN.....B-8	RR WHEEL.....H-5	STEERING STEM...G-3
CAM SHAFT.....B-12	CRANKCASE COVER..B-7	FRAME COVER...F-10	FUEL TANK.....F-5	OIL PUMP.....B-9	SEAT.....F-8	TAIL LAMP.....E-10
CARBURETOR.....C-2	CRANKSHAFT.....B-10	FR BRAKE HOSE..G-10	GEAR SHIFTING..D-5	OPTIONAL.....H-14	SIGNAL GENERATOR..E-4	TRANSMISSION...D-3
CARBURETOR FIT..C-4	CYLINDER.....B-4	FR CALIPERS....G-9	HANDLE SWITCH..G-8	REAR CALIPER....H-6	SPEEDOMETER.....E-7	TURNSIGNAL LAMP..E-9
CLUTCH.....D-2	CYLINDER HEAD...B-3	FR DAMPER.....G-2	HANDLEBAR.....G-7	RR CUSHION LEVER..H-3	STAND.....F-3	WIRING HARNESS..E-11

FIG. 18

D - 4

FIG.18 ( D- 4) TRANSMISSION



REF.NO.	PART NO.	DESCRIPTION	Q'TY	REMARKS
29	24331-48803	GEAR, 3rd driven (NT:25)	1	
30	24332-48800	BUSH	1	
31	09167-28001	WASHER, RH	1	
32	09167-28008	WASHER, LH (T:2)	1	
33	24341-06801	GEAR, 4th driven (NT:23)	1	
34	24351-48803	GEAR, 5th driven (NT:21)	1	
35	09263-20040	BEARING, RH	1	
36	04221-07209	PIN (L:20)	1	
37	09267-25011	BEARING, LH	1	
38	09390-62011	C RING	1	
39	09283-34005	OIL SEAL (34x62x6)	1	
40	24751-40C01	PLATE	1	
41	01107-06107	SCREW	4	
42	27510-48800	SPROCKET, engine (NT:15)	1	
43	09180-25081	SPACER (25x34x18.1)	1	
44	09159-20004	NUT	1	
45	09167-25019	WASHER, lock	1	
46	09280-25001	O RING (O:1, ID:24.5)	1	
47	27600-40C20-118	CHAIN, drive (RK532GSV2x118LE)	1	

GSX-R1100N E28

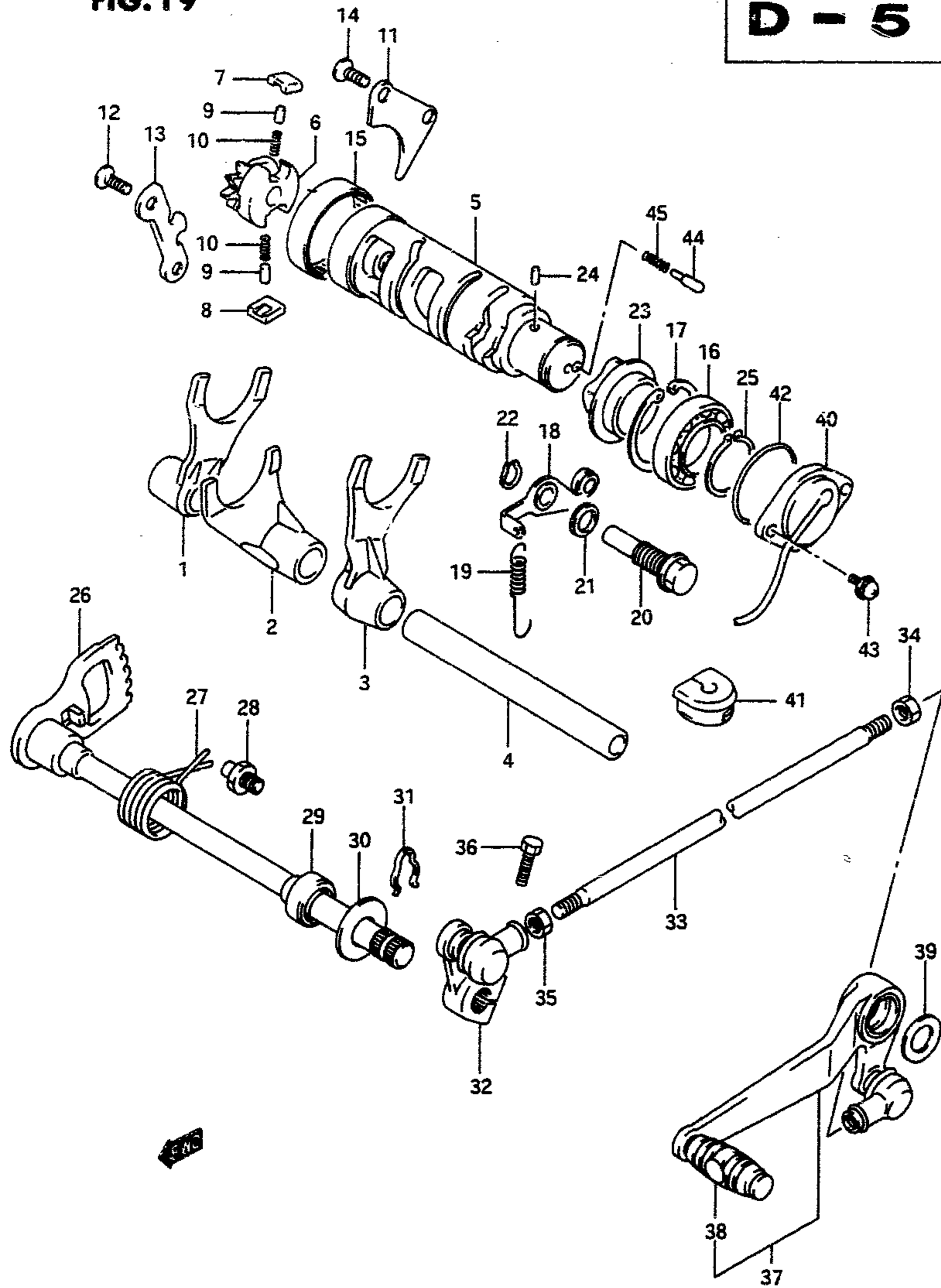
GSX-R1100N E28

AIR CLEANER.....C-5	CLUTCH MASTER CYL.G-12	CYL HEAD COVER..B-2	FR FENDER.....G-5	HEADLAMP.....E-8	RR FENDER.....H-4	STARTER CLUTCH..B-11
ALTERNATOR.....E-3	COSLING BODY.....H-8	ELECTRICAL.....E-6	FR MASTER CYL.G-11	MUFFLER.....C-6	RR MASTER CYL....H-7	STARTING MOTOR..E-2
BATTERY.....E-5	COWLING FIT SET..H-12	FOOTREST.....F-4	FR WHEEL.....G-6	OIL COOLER.....C-7	RR SWINGING ARM..H-2	STEERING DAMPER.G-4
CAM CHAIN.....B-14	CRANKCASE.....B-5	FRAME.....F-2	FUEL COCK.....F-7	OIL PAN.....B-8	RR WHEEL.....H-5	STEERING STEM...G-3
CAM SHAFT.....B-12	CRANKCASE COVER..B-7	FRAME COVER...F-10	FUEL TANK.....F-5	OIL PUMP.....B-9	SEAT.....F-8	TAIL LAMP.....E-10
CARBURETOR.....C-2	CRANKSHAFT.....B-10	FR BRAKE HOSE..G-10	GEAR SHIFTING..D-5	OPTIONAL.....H-14	SIGNAL GENERATOR.E-4	TRANSMISSION...D-3
CARBURETOR FIT.C-4	CYLINDER.....B-4	FR CALIPERS....G-9	HANDLE SWITCH.G-8	REAR CALIPER....H-6	SPEEDOMETER.....E-7	URNSIGNAL LAMP.E-9
CLUTCH.....D-2	CYLINDER HEAD...B-3	FR DAMPER.....G-2	HANDLEBAR.....G-7	RR CUSHION LEVER.H-3	STAND.....F-3	WIRING HARNESS..E-11

FIG. 19

D - 5

FIG. 19 ( D- 5) GEAR SHIFTING



REF. NO.	PART NO.	DESCRIPTION	Q'TY	REMARKS
1	25211-06801	FORK, gear shifting No.1	1	
2	25221-06800	FORK, gear shifting No.2	1	
3	25231-06800	FORK, gear shifting No.3	1	
4	25411-27A00	SHAFT, gear shifting fork	1	
5	25310-06802	CAM, gear shifting	1	
6	25322-31301	GEAR, cam driven	1	
7	25323-34201	PAWL, No.1	1	
8	25324-34201	PAWL, No.2	1	
9	09261-05003	PIN	2	
10	09440-04003	SPRING	2	
11	25331-31301	LIFTER, pawl	1	
12	02122-06128	SCREW	2	
13	25341-27A00	GUIDE, cam	1	
14	02122-06128	SCREW	2	
15	09263-43001	BEARING, RH	1	
16	08110-69050	BEARING, LH	1	
17	08331-41426	CIRCLIP	1	
18	25350-27A00	STOPPER, cam	1	
19	09443-09031	SPRING	1	
20	25353-27A00	SHAFT, stopper	1	
21	09168-10002	WASHER	1	
22	08331-31086	CIRCLIP	1	
23	25381-38400	PLATE, stopper	1	
24	06211-04063	PIN	1	
25	08331-31256	CIRCLIP	1	
26	25510-19C00	SHAFT, gear shifting	1	
27	09444-26017	SPRING	1	
28	25671-01000	STOPPER, arm	1	
29	09285-12002	OIL SEAL (12x22x9)	1	
30	09160-12020	WASHER (12.5x27x1.6)	1	
31	09384-12001	CIRCLIP	1	

GSX-R1100N E28

GSX-R1100N E28

AIR CLEANER.....C-5	CLUTCH MASTER CYL..G-12	CYL HEAD COVER..B-2	FR FENDER.....G-5	HEADLAMP.....E-8	RR FENDER.....H-4	STARTER CLUTCH..B-11
ALTERNATOR.....E-3	COSLING BODY.....H-8	ELECTRICAL.....E-6	FR MASTER CYL..G-11	MUFFLER.....C-6	RR MASTER CYL....H-7	STARTING MOTOR..E-2
BATTERY.....E-5	COWLING FIT SET..H-12	FOOTREST.....F-4	FR WHEEL.....G-6	OIL COOLER.....C-7	RR SWINGING ARM..H-2	STEERING DAMPER..G-4
CAM CHAIN.....B-14	CRANKCASE.....B-5	FRAME.....F-2	FUEL COCK.....F-7	OIL PAN.....B-8	RR WHEEL.....H-5	STEERING STEM...G-3
CAM SHAFT.....B-12	CRANKCASE COVER..B-7	FRAME COVER...F-10	FUEL TANK.....F-5	OIL PUMP.....B-9	SEAT.....F-8	TAIL LAMP.....E-10
CARBURETOR.....C-2	CRANKSHAFT.....B-10	FR BRAKE HOSE..G-10	GEAR SHIFTING..D-5	OPTIONAL.....H-14	SIGNAL GENERATOR..E-4	TRANSMISSION...D-3
CARBURETOR FIT..C-4	CYLINDER.....B-4	FR CALIPERS....G-9	HANDLE SWITCH..G-8	REAR CALIPER....H-6	SPEEDOMETER.....E-7	TURNSIGNAL LAMP..E-9
CLUTCH.....D-2	CYLINDER HEAD...B-3	FR DAMPER.....G-2	HANDLEBAR.....G-7	RR CUSHION LEVER..H-3	STAND.....F-3	WIRING HARNESS..E-11

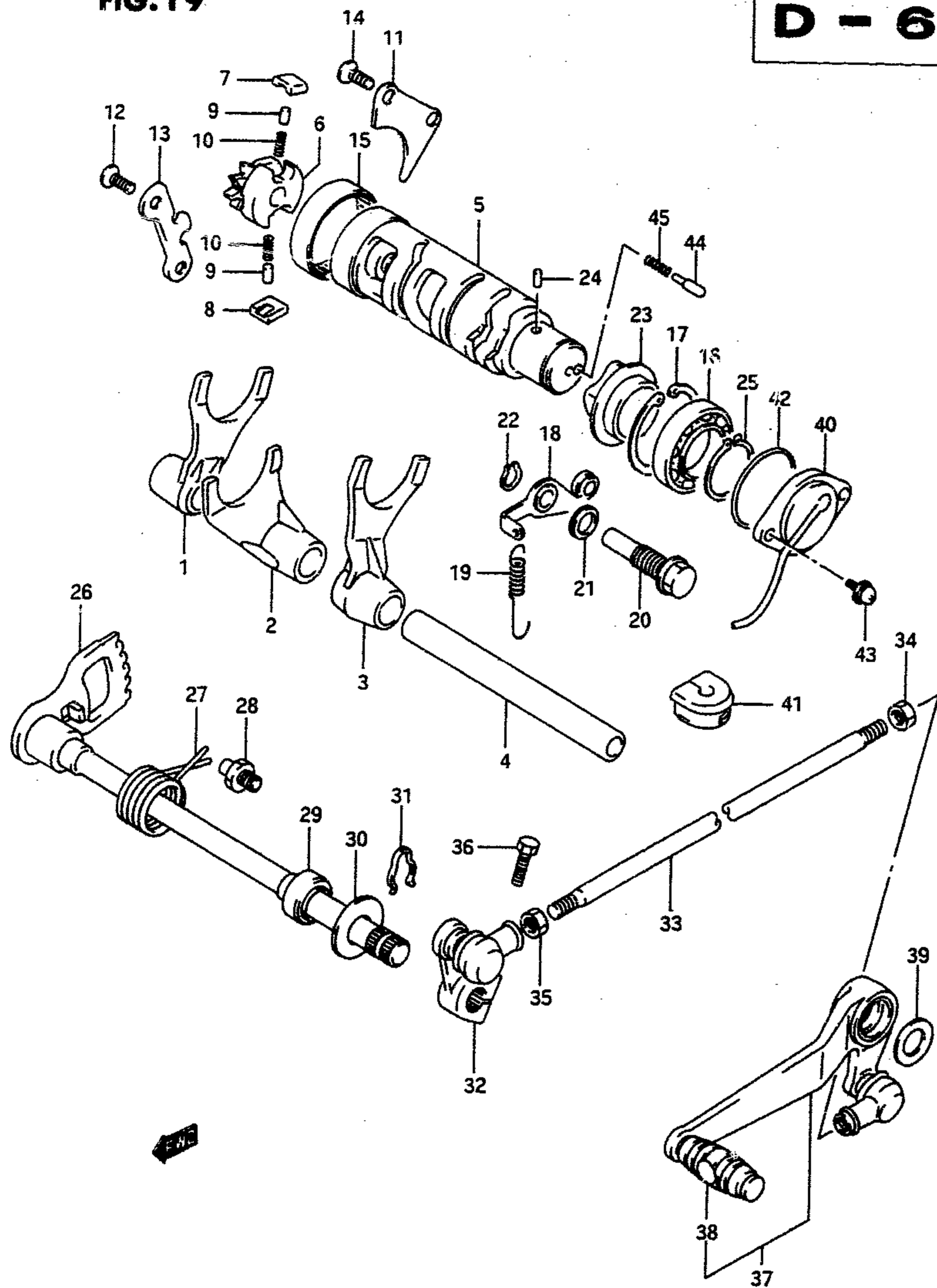


FIG. 19

D - 6

24

FIG. 19 ( D- 6) GEAR SHIFTING

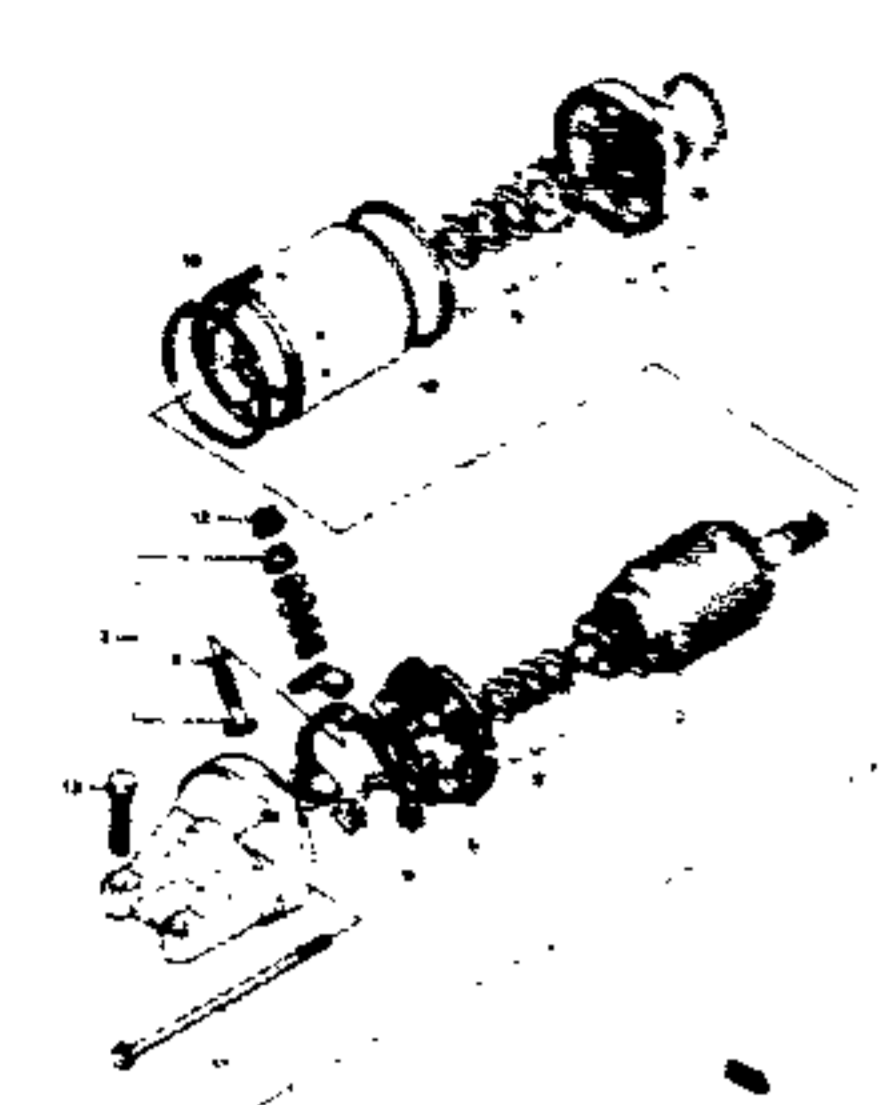
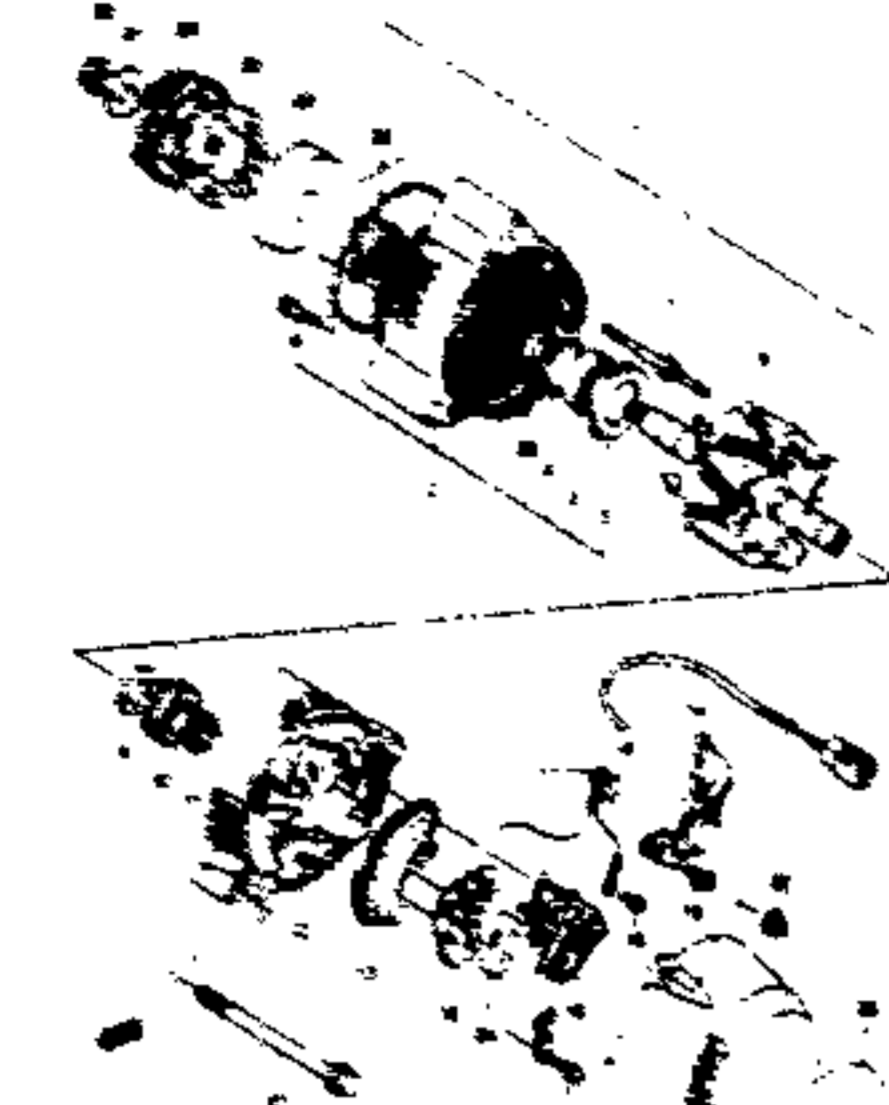
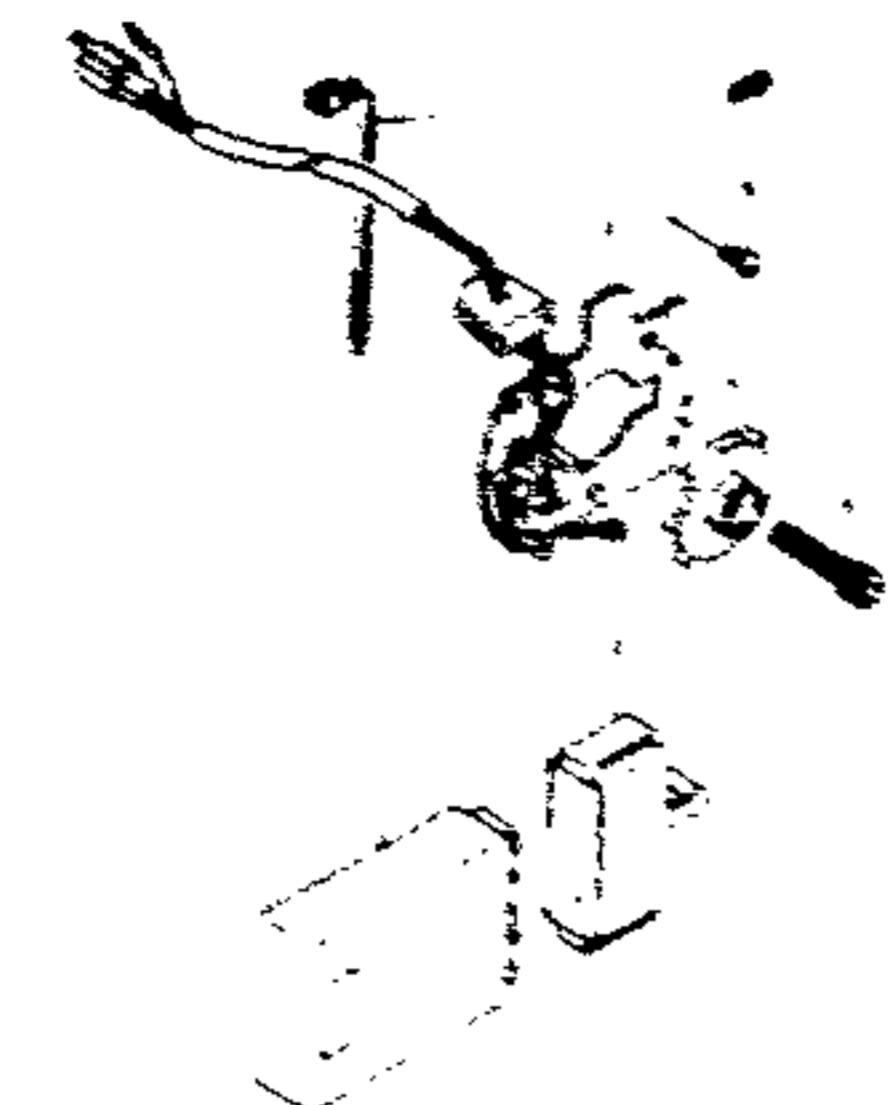
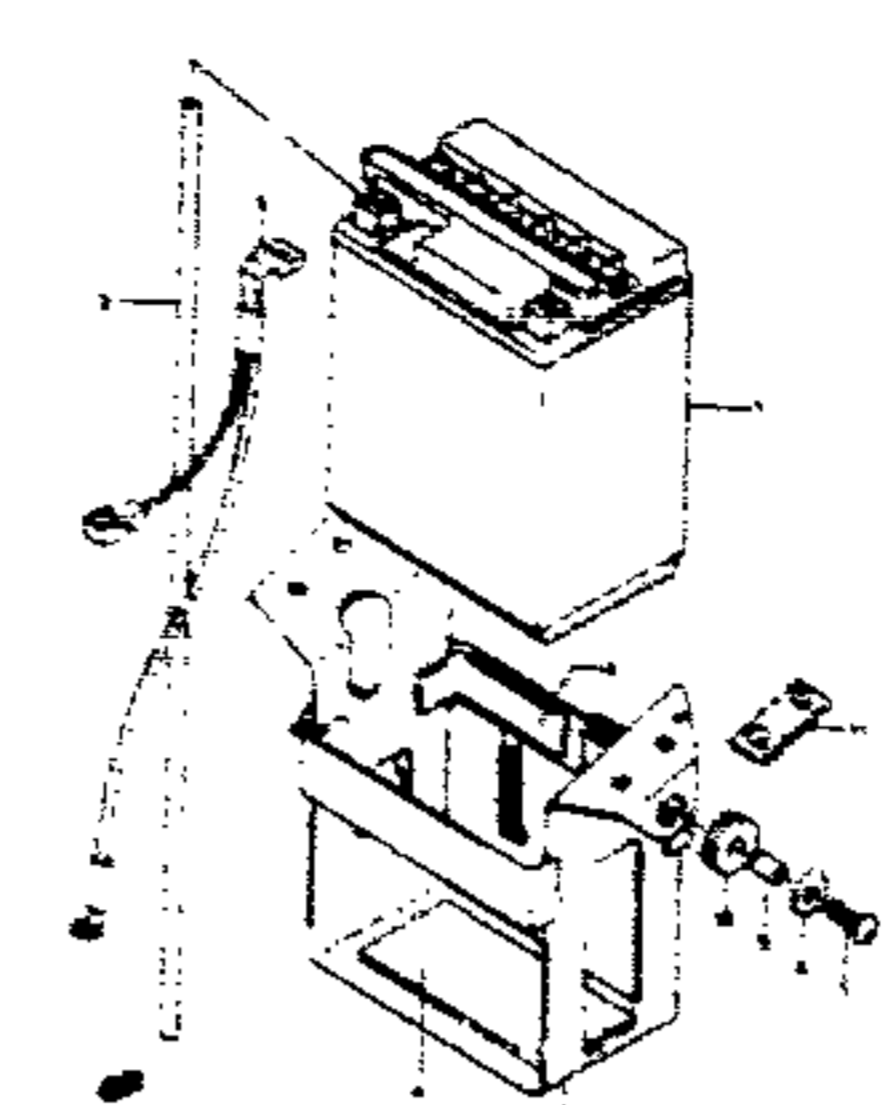


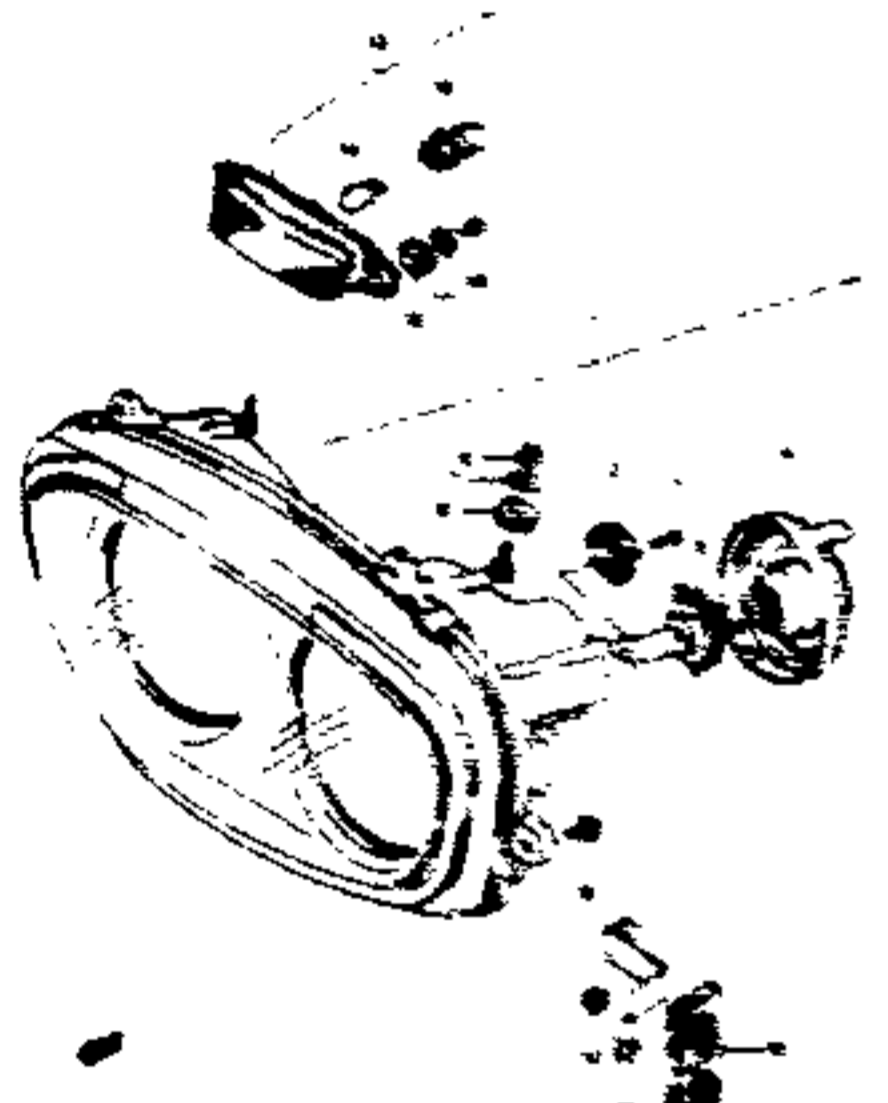
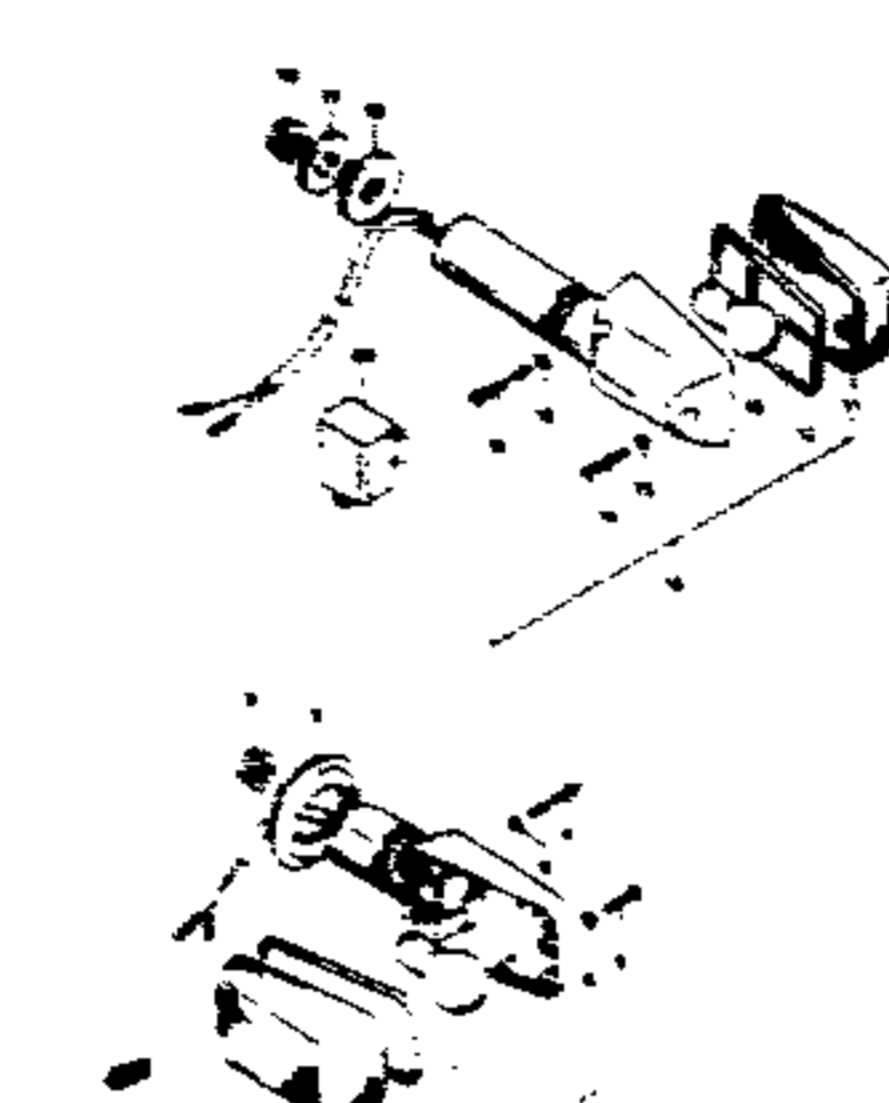
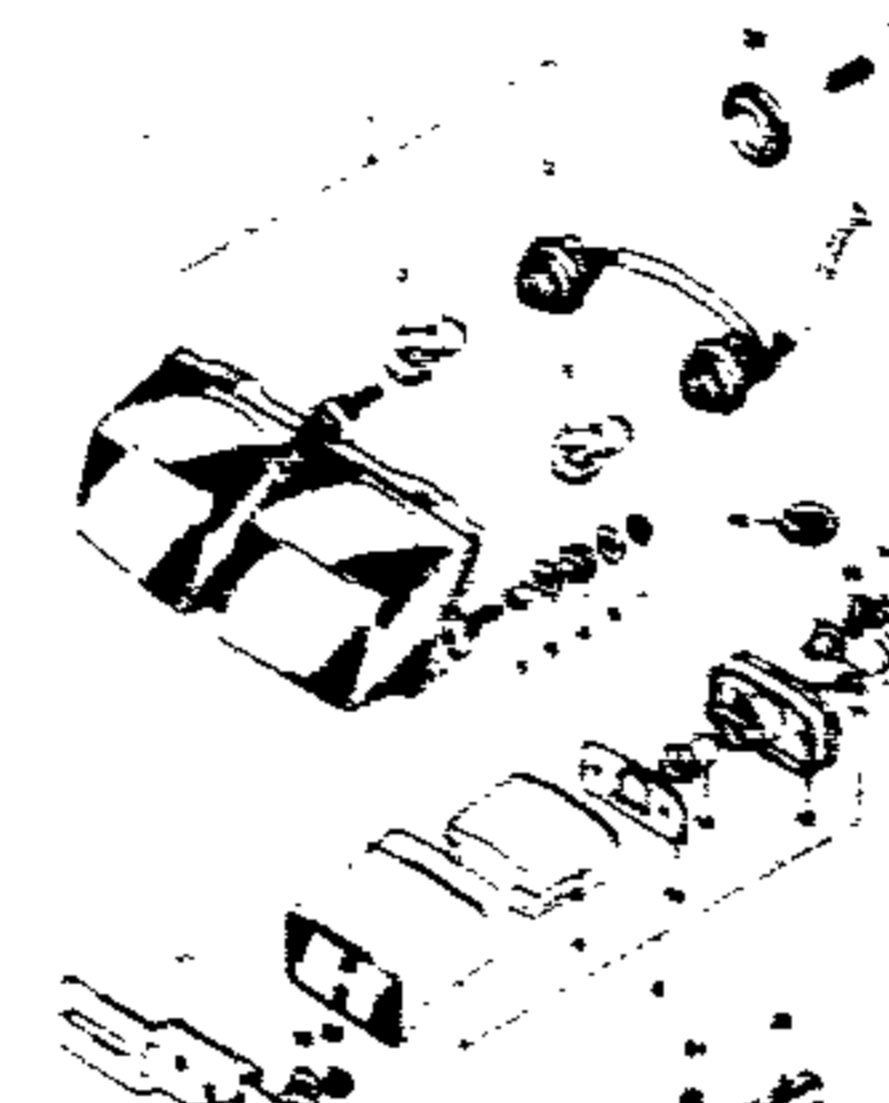



REF.NO.	PART NO.	DESCRIPTION	Q'TY	REMARKS
32	25520-19C02	ARM, gear shift link	1	
33	25525-17C02	ROD, gear shift link	1	
34	09140-06011	NUT	1	
35	08310-11067	NUT	1	
36	01107-06257	BOLT	1	
37	25600-17C03	LEVER ASSY, gear shifting	1	
38	25652-16500	.COVER	1	
39	09160-18022	WASHER (18x24x1)	1	
40-1	37720-48800	FOOT, gear shifting switch	1	model M
40-2	37720-50000	BODY, gear shifting switch	1	model N
41	33885-27A01	GROMMET, lead wire	1	
42	09280-36001	O RING (D:2.4, ID:36.2)	1	
43	09138-05003	SCREW	2	
44	09209-05011	CONTACT	1	
45	C9440-04010	SPRING	1	

GSX-R1100N E28

GSX-R1100N E28

AIR CLEANER.....C-5	CLUTCH MASTER CYL..G-12	CYL HEAD COVER..B-2	FR FENDER.....G-5	HEADLAMP.....E-8	RR FENDER.....H-4	STARTER CLUTCH..B-11
ALTERNATOR.....E-3	COSLING BODY.....H-8	ELECTRICAL.....E-6	FR MASTER CYL..G-11	MUFFLER.....C-6	RR MASTER CYL....H-7	STARTING MOTOR..E-2
BATTERY.....E-5	COWLING FIT SET..H-12	FOOTREST.....F-4	FR WHEEL.....G-6	OIL COOLER.....C-7	RR SWINGING ARM..H-2	STEERING DAMPER..G-4
CAM CHAIN.....B-14	CRANKCASE.....B-5	FRAME.....F-2	FUEL COCK.....F-7	OIL PAN.....B-8	RR WHEEL.....H-5	STEERING STEM...G-3
CAM SHAFT.....B-12	CRANKCASE COVER..B-7	FRAME COVER...F-10	FUEL TANK.....F-5	OIL PUMP.....B-9	SE.T.....F-8	TAIL LAMP.....E-10
CARBURETOR.....C-2	CRANKSHAFT.....B-10	FR BRAKE HOSE..G-10	GEAR SHIFTING..D-5	OPTIONAL.....H-14	SIGNAL GENERATOR..E-4	TRANSMISSION....D-3
CARBURETOR FIT..C-4	CYLINDER.....B-4	FR CALIPERS....G-9	HANDLE SWITCH..G-8	REAR CALIPER....H-6	SPEEDOMETER.....E-7	URNSIGNAL LAMP..E-9
CLUTCH.....D-2	CYLINDER HEAD...B-3	FR DAMPER.....G-2	HANDLEBAR.....G-7	RR CUSHION LEVER..H-3	STAND.....F-3	WIRING HARNESS..E-11

<b>STARTING MOTOR</b> 	<b>E-2 ALTERNATOR</b> 	<b>E-3 SIGNAL GENERATOR</b> 	<b>E-4 BATTERY</b> 	<b>E-5 ELECTRICAL</b> 	<b>E-6 SPEEDOMETER</b> 
<b>E-8 HEADLAMP</b> 	<b>E-9 TURNSIGNAL LAMP</b> 	<b>E-10 TAIL LAMP - LICENSE LAMP</b> 	<b>E-11 WIRING HARNESS</b> 		

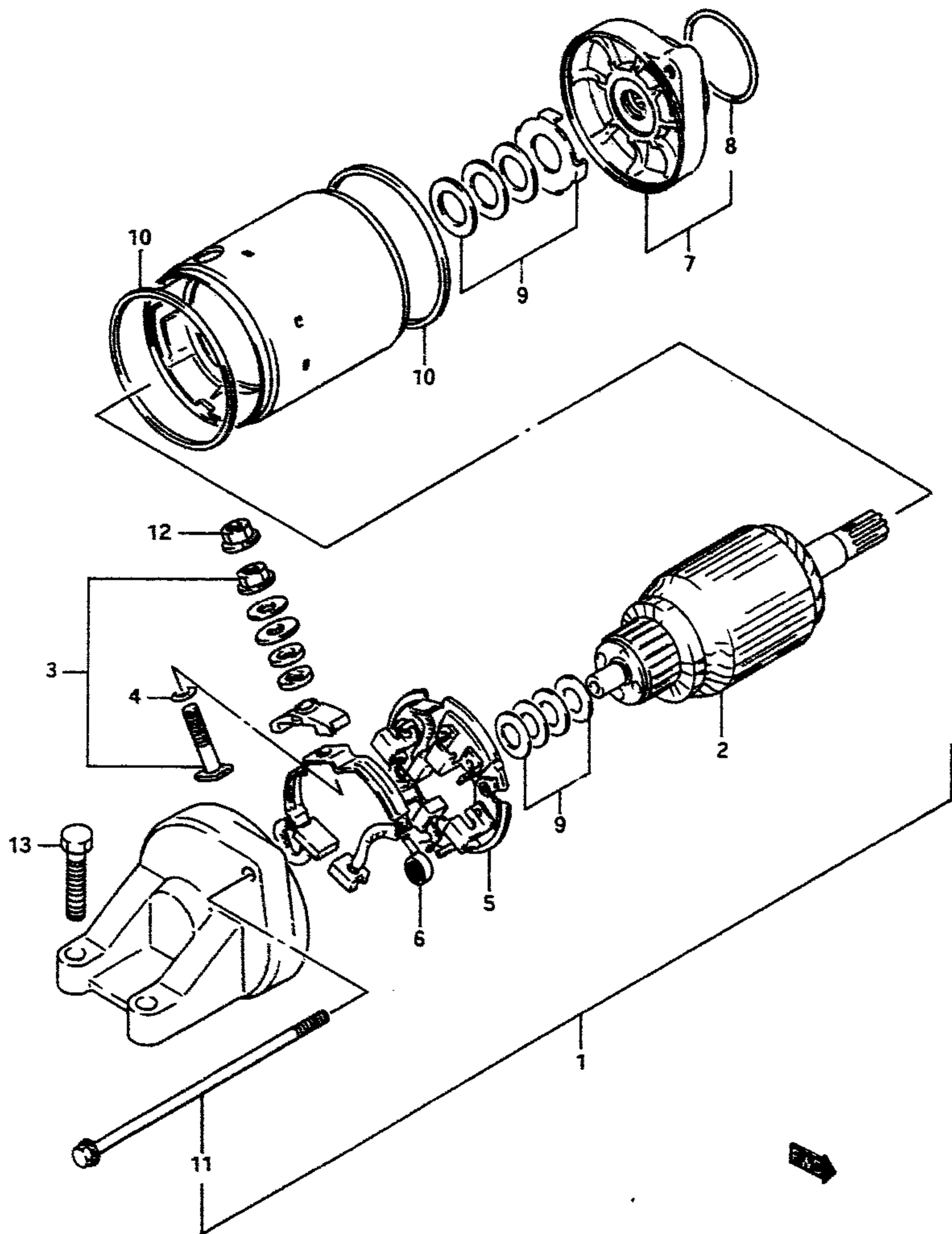
AIR CLEANER.....C-5	CLUTCH MASTER CYL.....G-12	CYL HEAD COVER.....B-2	FR FENDER.....G-5	HEADLAMP.....E-8	RR FENDER.....H-4	STARTER CLUTCH...B-11
ALTERNATOR.....E-3	COOLING BODY.....H-8	ELECTRICAL.....E-6	FR MASTER CYL.....G-11	MUFFLER.....C-6	RR MASTER CYL...H-7	STARTING MOTOR..E-2
BATTERY.....E-5	COYLING FIT SET...H-12	FOOTREST.....F-4	FR WHEEL.....G-6	OIL COOLER.....C-7	RR SWINGING ARM..H-2	STEERING DAMPER..G-4
CAM CHAIN.....B-14	CRANKCASE.....B-5	FRAME.....F-2	FUEL COCK.....F-7	OIL PAN.....B-8	RR WHEEL.....H-5	STEERING STEM...G-3
CAM SHAFT.....B-12	CRANKCASE COVER...B-7	FRAME COVER...F-10	FUEL TANK.....F-5	OIL PUMP.....B-9	SEAT.....F-8	TAIL LAMP.....E-10
CARBURETOR.....C-2	CRANKSHAFT.....B-10	FR BRAKE HOSE...G-10	GEAR SHIFTING...D-5	OPTIONAL.....H-14	SIGNAL GENERATOR..E-4	TRANSMISSION....D-3
CARBURETOR FIT..C-4	CYLINDER.....B-4	FR CALIPERS....G-9	HANDLE SWITCH..G-8	REAR CALIPER.....H-6	SPEEDOMETER.....E-7	TURNSIGNAL LAMP..E-9
CLUTCH.....D-2	CYLINDER HEAD...B-3	FR DAMPER.....G-2	HANDLEBAR.....G-7	RR CUSHION LEVER..H-3	STAND.....F-3	WIRING HARNESS..E-11

FIG. 20

E - 2

25

FIG. 20 ( E- 2) STARTING MOTOR



REF.NO.	PART NO.	DESCRIPTION	Q'TY	REMARKS
1	31100-40C02	MOTOR ASSY, starting	1	
2	31310-40C02	.ARMATURE	1	
3	31130-38B00	.TERMINAL SET, brush	1	
4	31143-49040	.O RING	1	
5	31132-38B00	.HOLDER SET, brush	1	
6	31135-38B00	.SPRING, BRUSH	4	
7	31150-40C00	.BRACKET ASSY, front	1	
8	31156-40C00	..O RING	1	
9	31170-19B10	.WASHER SET	1	
10	31264-31300	.O RING	2	
11	31280-40C00	.BOLT	2	
12	08361-35066	NUT	1	
13	09128-06024	BOLT (L:25)	2	

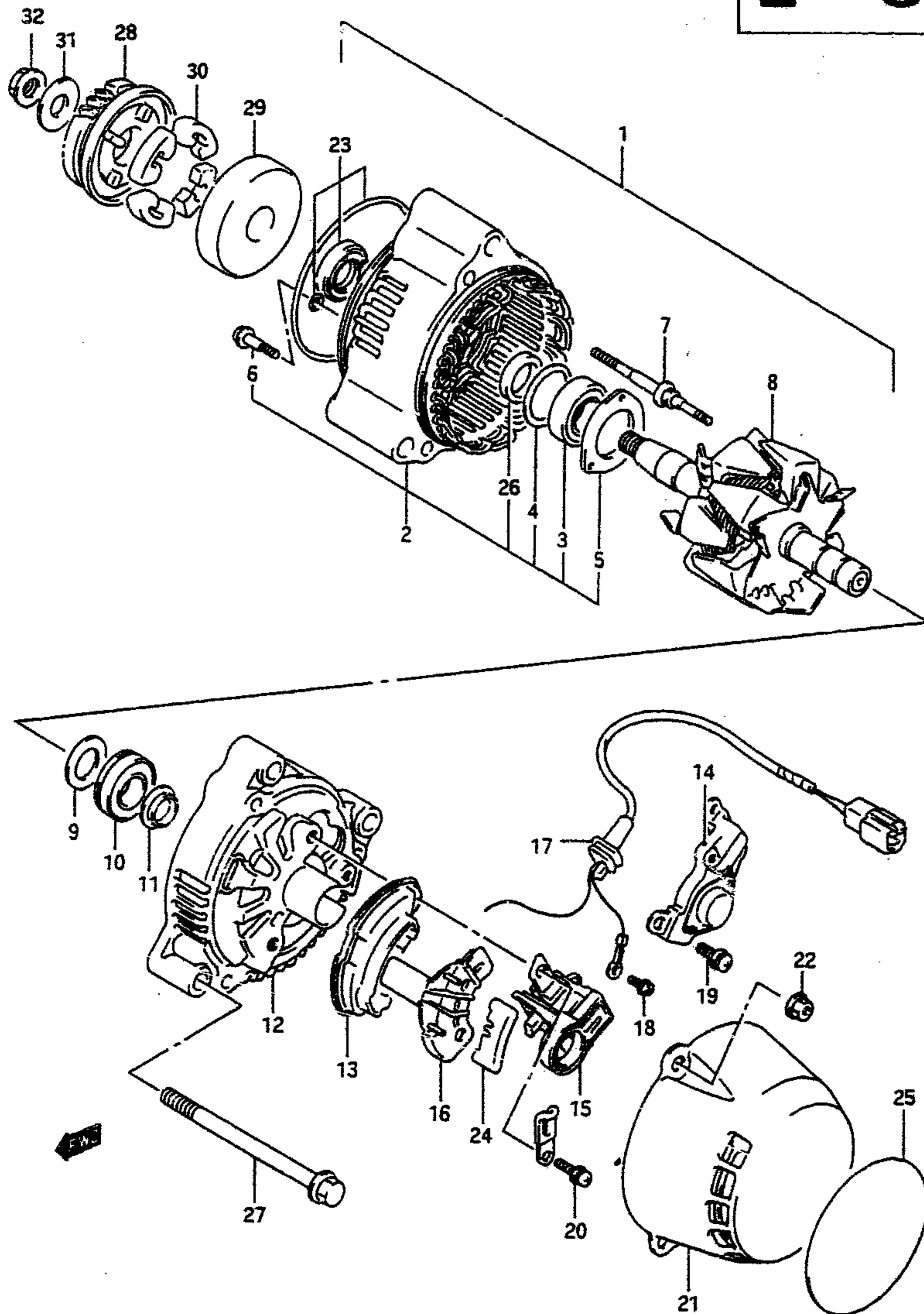
GSX-R1100N E28

GSX-R1100N E28

AIR CLEANER.....C-5	CLUTCH MASTER CYL.G-12	CYL HEAD COVER.B-2	FR FENDER.....G-5	HEADLAMP.....E-8	RR FENDER.....H-4	STARTER CLUTCH..B-11
ALTERNATOR.....E-3	COSLING BODY.....H-8	ELECTRICAL.....E-6	FR MASTER CYL.G-11	MUFFLER.....C-6	RR MASTER CYL...H-7	STARTING MOTOR..E-2
BATTERY.....E-5	COWLING FIT SET...H-12	FOOTREST.....F-4	FR WHEEL.....G-6	OIL COOLER.....C-7	RR SWINGING ARM..H-2	STEERING DAMPER.G-4
CAM CHAIN.....B-14	CRANKCASE.....B-5	FRAME.....F-2	FUEL COCK.....F-7	OIL PAN.....B-8	RR WHEEL.....H-5	STEERING STEM...G-3
CAM SHAFT.....B-12	CRANKCASE COVER...B-7	FRAME COVER...F-10	FUEL TANK.....F-5	OIL PUMP.....B-9	SEAT.....F-8	TAIL LAMP.....E-10
CARBURETOR.....C-2	CRANKSHAFT.....B-10	FR BRAKE HOSE..G-10	GEAR SHIFTING.D-5	OPTIONAL.....H-14	SIGNAL GENERATOR.E-4	TRANSMISSION...D-3
CARBURETOR FIT.C-4	CYLINDER.....B-4	FR CALIPERS...G-9	HANDLE SWITCH.G-8	REAR CALIPER...H-6	SPEEDOMETER.....E-7	URNSIGNAL LAMP.E-9
CLUTCH.....D-2	CYLINDER HEAD...B-3	FR DAMPER.....G-2	HANDLEBAR.....G-7	RR CUSHION LEVER.H-3	STAND.....F-3	WIRING HARNESS..E-11

FIG. 21

E - 3



26

FIG. 21 ( E- 3) ALTERNATOR

REF.NO.	PART NO.	DESCRIPTION	Q'TY	REMARKS
1	31400-48803	ALTERNATOR ASSY	1	
2	31580-48800	.FRAME, drive end	1	
3	31612-06800	..BEARING	1	
4	31613-48800	..COVER, bearing	1	
5	31585-48800	..RETAINER, bearing	1	
6	31586-48800	..SCREW, bearing retainer	3	
7	31587-19C00	..STUD BOLT	3	
8	31710-48803	.ROTOR ASSY	1	
9	31613-82610	.COVER (1)	1	
10	31612-48800	.BEARING	1	
11	31613-27A10	.COVER (2)	1	
12	31611-48800	.FRAME, end	1	
13	31621-27A00	.HOLDER, rectifier	1	
14	32500-27A00	.REGULATOR	1	
15	31656-48800	.HOLDER, brush	1	
16	31687-27A00	.COVER, rectifier	1	
17	31480-48800	.LEAD WIRE	1	
18	31516-85250	.SCREW	2	
19	31688-27A00	.SCREW (5x17)	2	
20	31688-06800	.SCREW (5x18)	1	
21	31614-48800	.COVER	1	
22	08316-16055	.NUT	3	
23	31760-48800	.OIL SEAL SET	1	
24	31514-27A00	.BUSH	1	
25	31615-17C00	PROTECTOR, alternator	1	
26	31776-06800	SPACER	1	
27	01517-08908	BOLT	3	
28	22730-06803	GEAR, generator driven (NT:28)	1	
29	22733-27A04	HOUSING, damper	1	
30	21231-06800	DAMPER	4	
31	08211-10283	WASHER	1	
32	08316-26106	NUT	1	

GSX-R1100N E28

GSX-R1100N E28

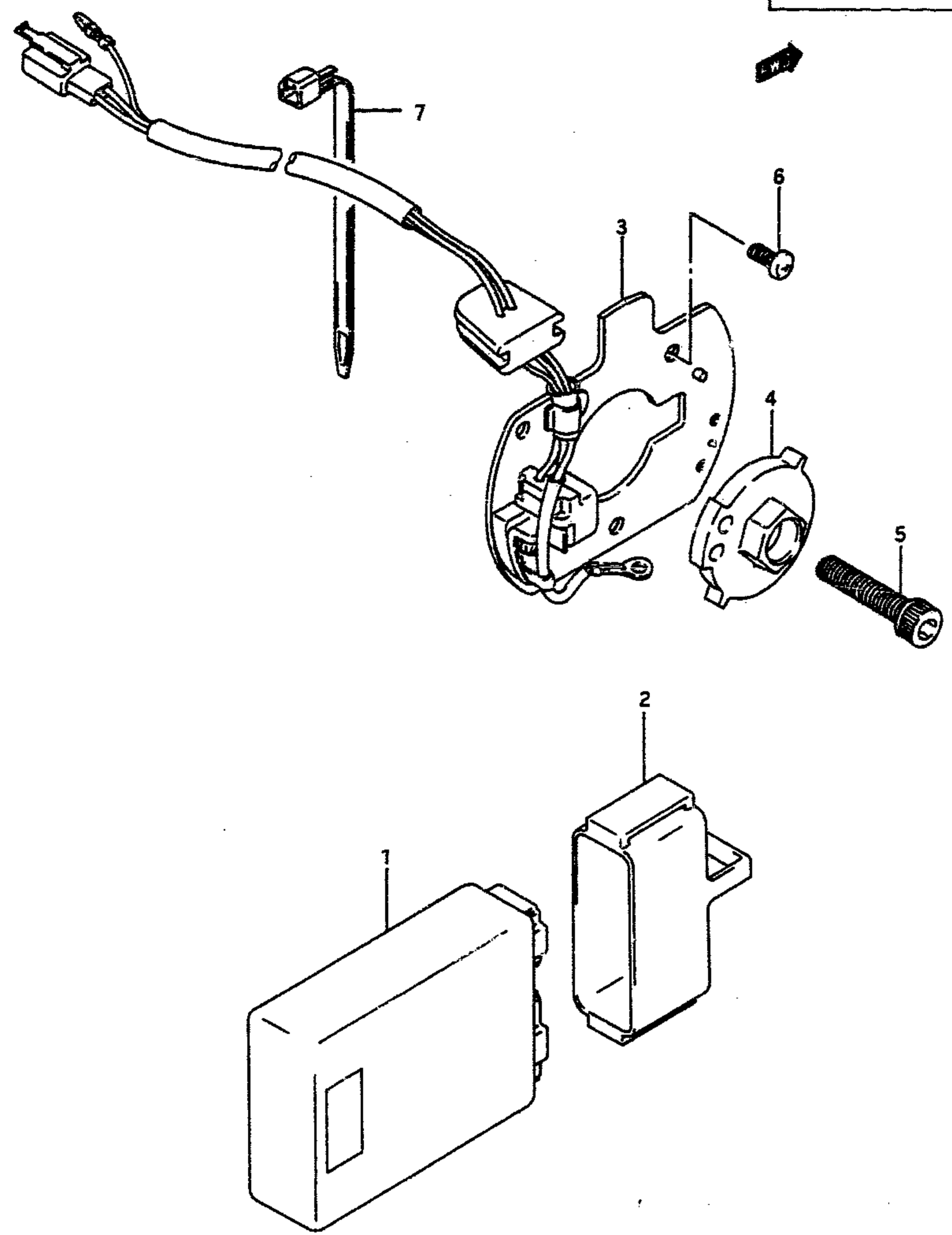
AIR CLEANER.....C-5	CLUTCH MASTER CYL.G-12	CYL HEAD COVER.B-2	FR FENDER.....G-5	HEADLAMP.....E-8	RR FENDER.....H-4	STARTER CLUTCH..B-11
ALTERNATOR.....E-3	COSLING BODY.....H-8	ELECTRICAL.....E-6	FR MASTER CYL.G-11	MUFFLER.....C-6	RR MASTER CYL....H-7	STARTING MOTOR..E-2
BATTERY.....E-5	COWLING FIT SET..H-12	FOOTREST.....F-4	FR WHEEL.....G-6	OIL COOLER.....C-7	RR SWINGING ARM..H-2	STEERING DAMPER.G-4
CAM CHAIN.....B-14	CRANKCASE.....B-5	FRAME.....F-2	FUEL COCK.....F-7	OIL PAN.....B-8	RR WHEEL.....H-5	STEERING STEM...G-3
CAM SHAFT.....B-12	CRANKCASE COVER..B-7	FRAME COVER...F-10	FUEL TANK.....F-5	OIL PUMP.....B-9	SEAT.....F-8	TAIL LAMP.....E-10
CARBURETOR.....C-2	CRANKSHAFT.....B-10	FR BRAKE HOSE..G-10	GEAR SHIFTING..D-5	OPTIONAL.....H-14	SIGNAL GENERATOR.E-4	TRANSMISSION....D-3
CARBURETOR FIT.C-4	CYLINDER.....B-4	FR CALIPERS...G-9	HANDLE SWITCH.G-8	REAR CALIPER....H-6	SPEEDOMETER.....E-7	TURNSIGNAL LAMP.E-9
CLUTCH.....D-2	CYLINDER HEAD...B-3	FR DAMPER.....G-2	HANDLEBAR.....G-7	RR CUSHION LEVER.H-3	STAND.....F-3	WIRING HARNESS..E-11

FIG. 22

**E - 4**

27

FIG. 22 ( E- 4) SIGNAL GENERATOR

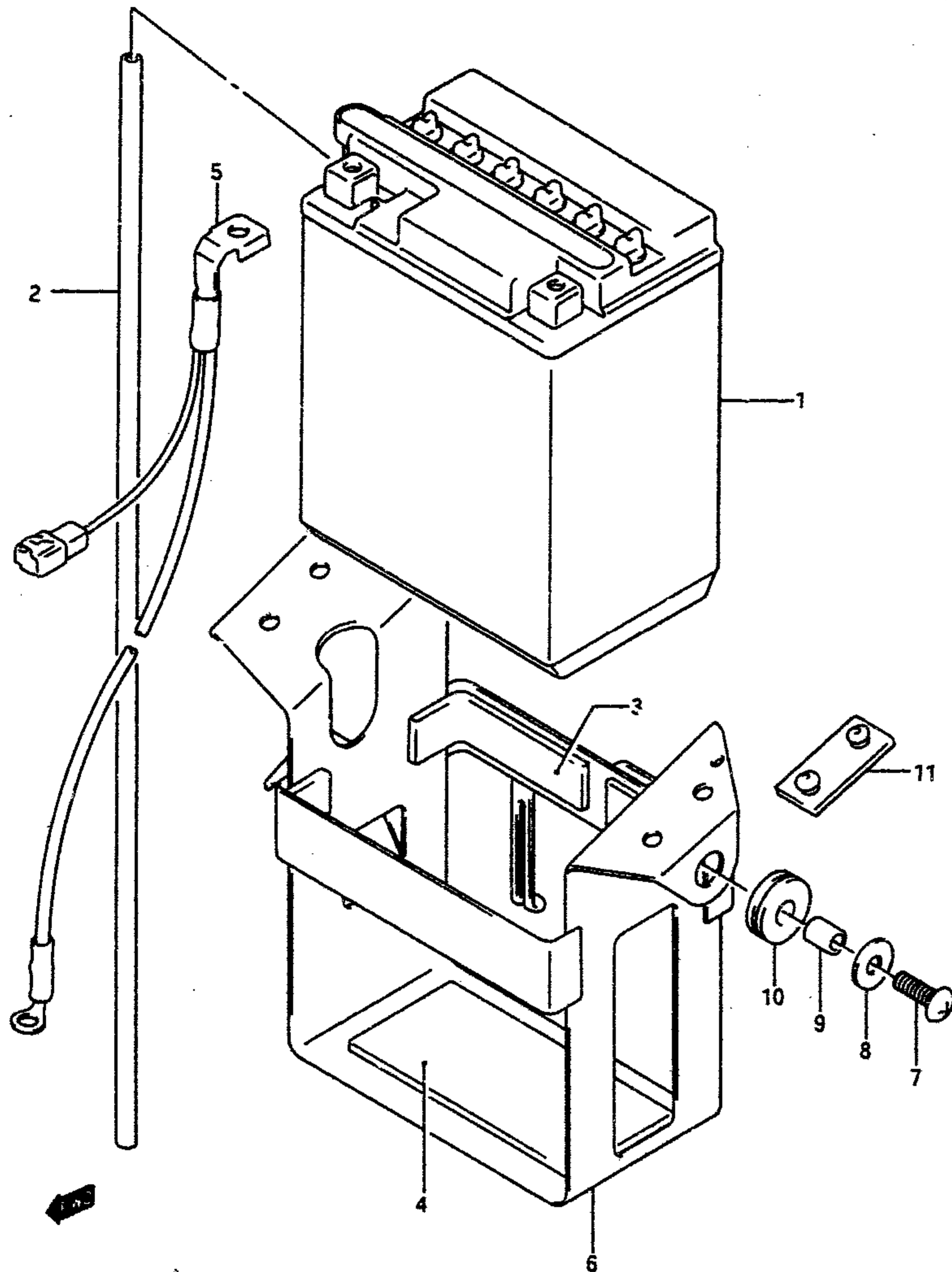


REF. NO.	PART NO.	DESCRIPTION	Q'TY	REMARKS
1-1	32900-40C00	IGNITER UNIT	1	model M
1-2	32900-40C30	IGNITER UNIT	1	model N
2	32900-40C00	CUSHION	1	
3	33110-17C00	SIGNAL GENERATOR ASSY	1	
4	33120-19C00	ROTOR, signal	1	
5	07110-08306	BOLT	1	
6	02112-05107	SCREW	3	
7	09407-14A03	CLAMP	2	

GSX-R1100N E28

GSX-R1100N E28

AIR CLEANER.....C-5	CLUTCH MASTER CYL.....G-12	CYL HEAD COVER.....B-2	FR FENDER.....G-5	HEADLAMP.....E-8	RR FENDER.....H-4	STARTER CLUTCH.....B-11
ALTERNATOR.....E-3	COSLING BODY.....H-8	ELECTRICAL.....E-6	FR MASTER CYL.....G-11	MUFFLER.....C-6	RR MASTER CYL.....H-7	STARTING MOTOR.....E-2
BATTERY.....E-5	COWLING FIT SET.....H-12	FOOTREST.....F-4	FR WHEEL.....G-6	OIL COOLER.....C-7	RR SWINGING ARM.....H-2	STEERING DAMPER.....G-4
CAM CHAIN.....B-14	CRANKCASE.....B-5	FRAME.....F-2	FUEL COCK.....F-7	OIL PAN.....B-8	RR WHEEL.....H-5	STEERING STEM.....G-3
CAM SHAFT.....B-12	CRANKCASE COVER.....B-7	FRAME COVER.....F-10	FUEL TANK.....F-5	OIL PUMP.....B-9	SEAT.....F-8	TAIL LAMP.....E-10
CARBURETOR.....C-2	CRANKSHAFT.....B-10	FR BRAKE HOSE.....G-10	GEAR SHIFTING.....D-5	OPTIONAL.....H-14	SIGNAL GENERATOR.....E-4	TRANSMISSION.....D-3
CARBURETOR FIT.....C-4	CYLINDER.....B-4	FR CALIPERS.....G-9	HANDLE SWITCH.....G-8	REAR CALIPER.....H-6	SPEEDOMETER.....E-7	URNSIGNAL LAMP.....E-9
CLUTCH.....D-2	CYLINDER HEAD.....B-3	FR DAMPER.....G-2	HANDLEBAR.....G-7	RR CUSHION LEVER.....H-3	STAND.....F-3	WIRING HARNESS.....E-11



REF.NO.	PART NO.	DESCRIPTION	Q'TY	REMARKS
1	33610-49210	BATTERY (12V,14AH)	1	
2	33680-14A00	HOSE, battery exhaust	1	L:700→650
3	33652-29100	PROTECTOR (20x90)	4	
4	33651-37000	CUSHION	1	cut as required profile (50x115)
5	33860-40C02	LEAD WIRE (-)	1	
6	41540-40C01	HOLDER, battery	1	
7	09125-06038	SCREW (6x25)	2	
8	09160-06006	WASHER (6.5x18x1.6)	3	
9	09180-06152	SPACER (6.4x9x8.5)	2	
10	09320-09021	CUSHION	2	
11	09329-05005	CUSHION	2	

GSX-R1100N E28

GSX-R1100N E28

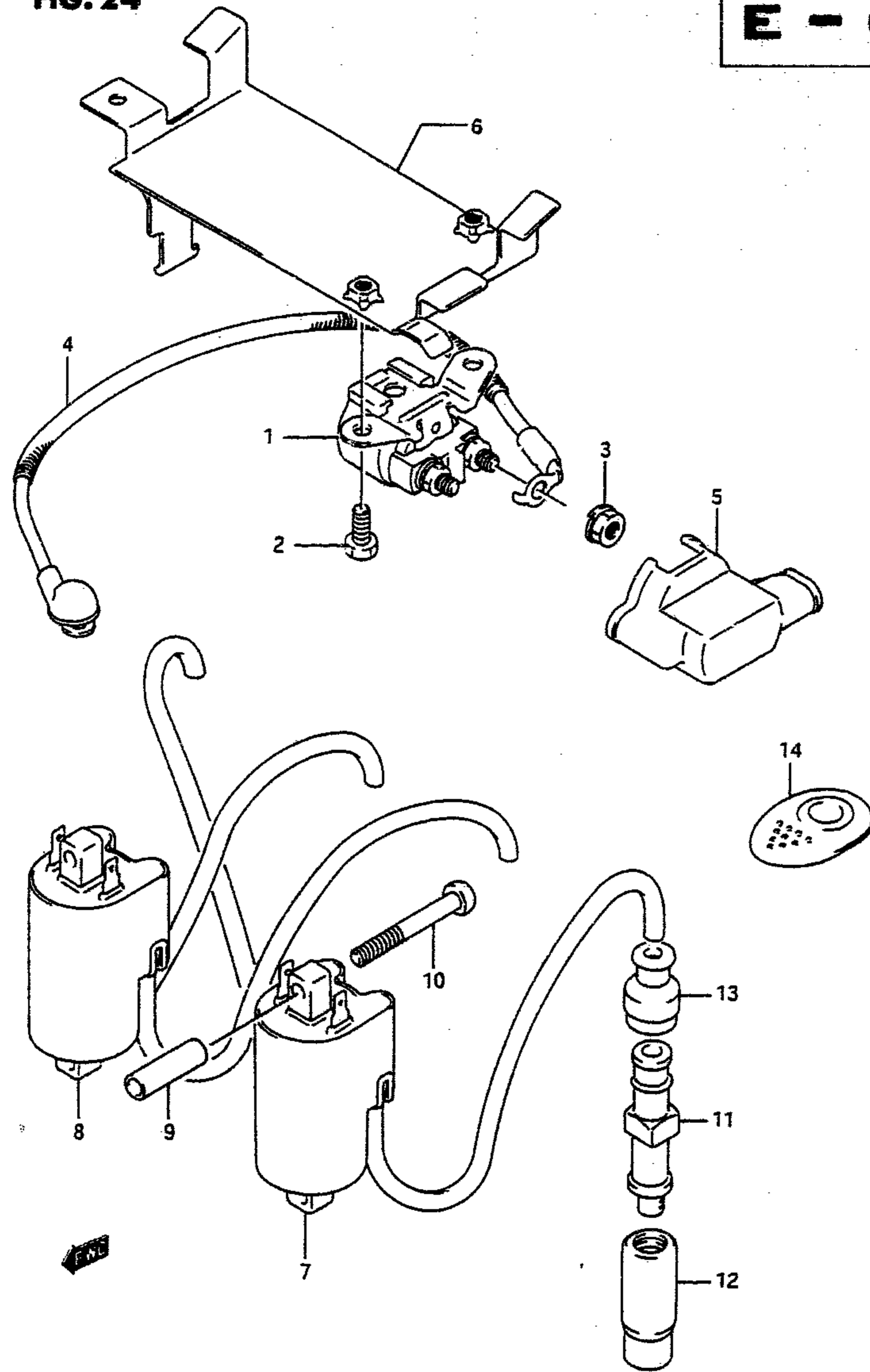
AIR CLEANER.....C-5	CLUTCH MASTER CYL.....G-12	CYL HEAD COVER.....B-2	FR FENDER.....G-5	HEADLAMP.....E-8	RR FENDER.....H-4	STARTER CLUTCH.....B-11
ALTERNATOR.....E-3	COSLING BODY.....H-8	ELECTRICAL.....E-6	FR MASTER CYL.....G-11	MUFFLER.....C-6	RR MASTER CYL.....H-7	STARTING MOTOR.....E-2
BATTERY.....E-5	COWLING FIT SET.....H-12	FOOTREST.....F-4	FR WHEEL.....G-6	OIL COOLER.....C-7	RR SWINGING ARM.....H-2	STEERING DAMPER.....G-4
CAM CHAIN.....B-14	CRANKCASE.....B-5	FRAME.....F-2	FUEL COCK.....F-7	OIL PAN.....B-8	RR WHEEL.....H-5	STEERING STEM.....G-3
CAM SHAFT.....B-12	CRANKCASE COVER.....B-7	FRAME COVER.....F-10	FUEL TANK.....F-5	OIL PUMP.....B-9	SEAT.....F-8	TAIL LAMP.....E-10
CARBURETOR.....C-2	CRANKSHAFT.....B-10	FR BRAKE HOSE.....G-10	GEAR SHIFTING.....D-5	OPTIONAL.....H-14	SIGNAL GENERATOR.....E-4	TRANSMISSION.....D-3
CARBURETOR FIT.....C-4	CYLINDER.....B-4	FR CALIPERS.....G-9	HANDLE SWITCH.....G-8	REAR CALIPER.....H-6	SPEEDOMETER.....E-7	TURNSIGNAL LAMP.....E-9
CLUTCH.....D-2	CYLINDER HEAD.....B-3	FR DAMPER.....G-2	HANDLEBAR.....G-7	RR CUSHION LEVER.....H-3	STAND.....F-3	WIRING HARNESS.....E-11

FIG. 24

E - 6

29

FIG. 24 ( E- 6) ELECTRICAL



REF. NO.	PART NO.	DESCRIPTION	Q'TY	REMARKS
1	31800-49100	RELAY, starting motor	1	
2	09128-06013	SCREW (L:8)	2	
3	08361-35066	NUT	2	
4	33810-41C00	LEAD WIRE, starting motor	1	
5	31861-10010	CAP, terminal	1	
6	47410-17C00	HOLDER, electric parts	1	
7	33410-40C00	COIL, ignition No.1	1	
8	33420-17C00	COIL, ignition No.2	1	
9	09180-06146	SPACER (6.6x10x32)	4	
10	02112-06556	SCREW	4	
11	33510-20C02	CAP, spark plug	4	
12	33541-20C00	SEAL, plug	4	
13	33542-38B00	SEAL, hightension cord	4	
14	33543-48B00	COVER	4	

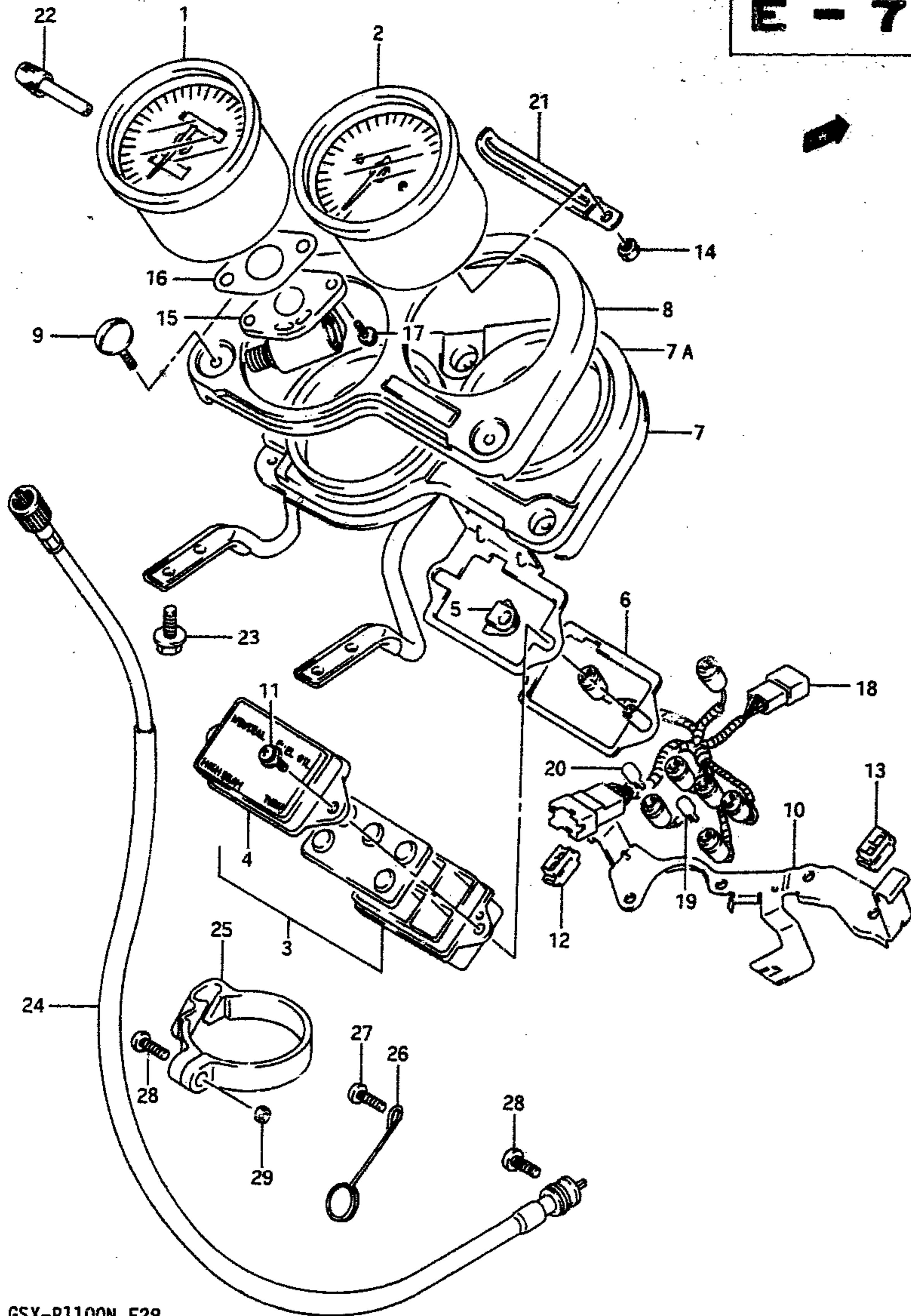
GSX-R1100N E28

GSX-R1100N E28

AIR CLEANER.....C-5	CLUTCH MASTER CYL..G-12	CYL HEAD COVER..B-2	FR FENDER.....G-5	HEADLAMP.....E-8	RR FENDER.....H-4	STARTER CLUTCH..B-11
ALTERNATOR.....E-3	COSLING BODY.....H-8	ELECTRICAL.....E-6	FR MASTER CYL..G-11	MUFFLER.....C-6	RR MASTER CYL....H-7	STARTING MOTOR..E-2
BATTERY.....E-5	COWLING FIT SET..H-12	FOOTREST.....F-4	FR WHEEL.....G-6	OIL COOLER.....C-7	RR SWINGING ARM..H-2	STEERING DAMPER..G-4
CAM CHAIN.....B-14	CRANKCASE.....B-5	FRAME.....F-2	FUEL COCK.....F-7	OIL PAN.....B-8	RR WHEEL.....H-5	STEERING STEM...G-3
CAM SHAFT.....B-12	CRANKCASE COVER..B-7	FRAME COVER....F-10	FUEL TANK.....F-5	OIL PUMP.....B-9	SEAT.....F-8	TAIL LAMP.....E-10
CARBURETOR.....C-2	CRANKSHAFT.....B-10	FR BRAKE HOSE..G-10	GEAR SHIFTING..D-5	OPTIONAL.....H-14	SIGNAL GENERATOR..E-4	TRANSMISSION....D-3
CARBURETOR FIT..C-4	CYLINDER.....B-4	FR CALIPERS....G-9	HANDLE SWITCH..G-8	REAR CALIPER....H-6	SPEEDOMETER.....E-7	URNSIGNAL LAMP..E-9
CLUTCH.....D-2	CYLINDER HEAD....B-3	FR DAMPER.....G-2	HANDLEBAR.....G-7	RR CUSHION LEVER..H-3	STAND.....F-3	WIRING HARNESS..E-11

FIG.25

E - 7



30

FIG.25 ( E- 7) SPEEDOMETER

REF.NO.	PART NO.	DESCRIPTION	Q'TY	REMARKS
1	34110-41C20	SPEEDOMETER (Kilo)	1	
2	34210-41C20	TACHOMETER	1	
3	36380-40C20	BOX ASSY, pilot lamp	1	
4	36381-40C20	.CASE, upper	1	
5	34716-32C00	DAMPER	2	
6	34718-32C00	PLATE, pilot box	1	
7	34950-41C20	PLATE, setting	1	
7A	34191-41C20	CUSHION	1	
8	34960-41C20	PANEL, meter	1	
9	34186-41C20	BOLT, setting	3	
10	34111-41C20	BRACKET	1	
11	02112-74085	SCREW	2	
12	34189-17C00	DAMPER, LH	1	
13	34189-04A30	DAMPER, RH	1	
14	08310-11045	NUT	2	
15	34131-48B10	BOX, meter gear	1	
16	34132-17C00	GASKET, gear box	1	
17	02112-34128	SCREW	2	
18	34170-41C20	SOCKET	1	
19	09471-12103	BULB (12V,3W)	5	
20	09471-12108	BULB (12V,1.7W)	2	
21	09404-04402	CLAMP	2	
22	34124-49400	KNOB	1	
23	01517-06125	BOLT	4	
24	34910-41C00	CABLE ASSY, speedometer	1	
25	34938-40C60	GUIDE, speedometer cable No.2	1	
26	34939-17D00	GUIDE, speedometer cable No.3	1	
27	02142-06108	SCREW	1	
28	02112-05164	SCREW	2	
29	08310-11057	NUT	1	

GSX-R1100N E28

GSX-R1100N E28

AIR CLEANER.....C-5	CLUTCH MASTER CYL..G-12	CYL HEAD COVER..B-2	FR FENDER.....G-5	HEADLAMP.....E-8	RR FENDER.....H-4	STARTER CLUTCH..B-11
ALTERNATOR.....E-3	COSLING BODY.....H-8	ELECTRICAL.....E-6	FR MASTER CYL..G-11	MUFFLER.....C-6	RR MASTER CYL.....H-7	STARTING MOTOR..E-2
BATTERY.....E-5	COWLING FIT SET..H-12	FOOTREST.....F-4	FR WHEEL.....G-6	OIL COOLER.....C-7	RR SWINGING ARM..H-2	STEERING DAMPER..G-4
CAM CHAIN.....B-14	CRANKCASE.....B-5	FRAME.....F-2	FUEL COCK.....F-7	OIL PAN.....B-8	RR WHEEL.....H-5	STEERING STEM..G-3
CAM SHAFT.....B-12	CRANKCASE COVER..B-7	FRAME COVER....F-10	FUEL TANK.....F-5	OIL PUMP.....B-9	SEAT.....F-8	TAIL LAMP.....E-10
CARBURETOR.....C-2	CRANKSHAFT.....B-10	FR BRAKE HOSE..G-10	GEAR SHIFTING..D-5	OPTIONAL.....H-14	SIGNAL GENERATOR..E-4	TRANSMISSION....D-3
CARBURETOR FIT..C-4	CYLINDER.....B-4	FR CALIPERS....G-9	HANDLE SWITCH..G-8	REAR CALIPER....H-6	SPEEDOMETER.....E-7	TURNSIGNAL LAMP..E-9
CLUTCH.....D-2	CYLINDER HEAD....B-3	FR DAMPER.....G-2	HANDLEBAR.....G-7	RR CUSHION LEVER..H-3	STAND.....F-3	WIRING HARNESS..E-11

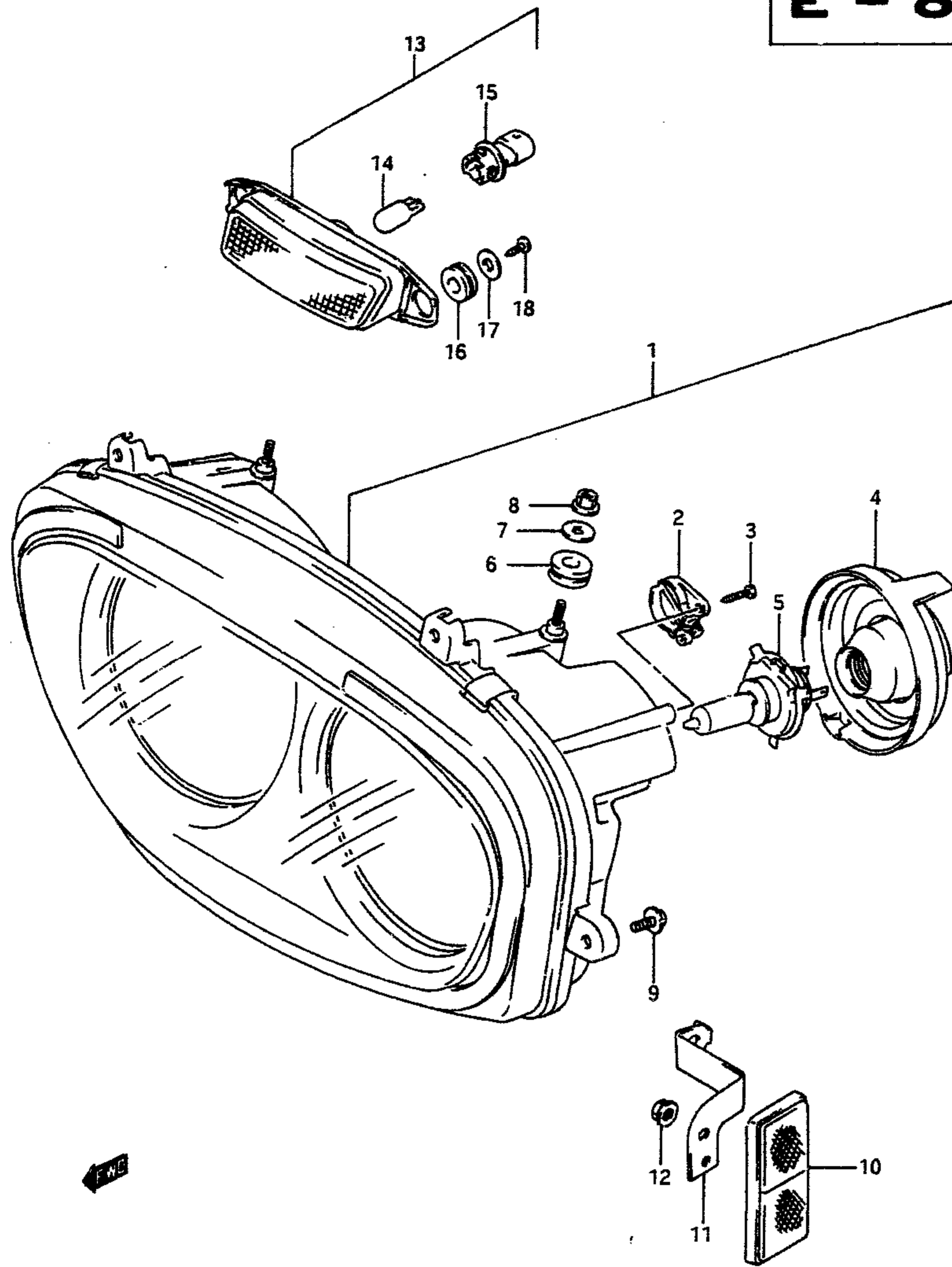


FIG. 26

E - 8

31

FIG. 26 ( E - 8 ) HEADLAMP



REF.NO.	PART NO.	DESCRIPTION	Q'TY	REMARKS
1	35100-41C00	HEADLAMP ASSY	1	
2	35250-33C10	.GEAR UNIT ASSY	4	
3	03511-04165	.SCREW	8	
4	35173-41C00	.COVER, socket	2	
5	09471-12060	.BULB (12V,60/55W)	2	
6	09320-09034	CUSHION	4	
7	09160-06092	WASHER	4	
8	08316-16064	NUT	4	
9	02112-75165	SCREW	6	
10	35950-40C00	REFLEX REFLECTOR, front side	2	
11-1	35956-17D00	BRACKET, RH	1	
11-2	35957-17D00	BRACKET, LH	1	
12	08361-15055	NUT	2	
13	36110-41C01	LAMP ASSY, front position	1	
14	09471-12081	.BULB	1	
15	36118-41C00	.SOCKET	1	
16	09320-08051	CUSHION	2	
17	09160-04014	WASHER	2	
18	03541-04105	SCREW	2	

GSX-R1100N E28

GSX-R1100N E28

AIR CLEANER.....C-5	CLUTCH MASTER CYL..G-12	CYL HEAD COVER..B-2	FR FENDER.....G-5	HEADLAMP.....E-8	RR FENDER.....H-4	STARTER CLUTCH..B-11
ALTERNATOR.....E-3	COSLING BODY.....H-8	ELECTRICAL.....E-6	FR MASTER CYL..G-11	MUFFLER.....C-6	RR MASTER CYL....H-7	STARTING MOTOR..E-2
BATTERY.....E-5	COWLING FIT SET..H-12	FOOTREST.....F-4	FR WHEEL.....G-6	OIL COOLER.....C-7	RR SWINGING ARM..H-2	STEERING DAMPER..G-4
CAM CHAIN.....B-14	CRANKCASE.....B-5	FRAME.....F-2	FUEL COCK.....F-7	OIL PAN.....B-8	RR WHEEL.....H-5	STEERING STEM...G-3
CAM SHAFT.....B-12	CRANKCASE COVER..B-7	FRAME COVER...F-10	FUEL TANK.....F-5	OIL PUMP.....B-9	SEAT.....F-8	TAIL LAMP.....E-10
CARBURETOR.....C-2	CRANKSHAFT.....B-10	FR BRAKE HOSE..G-10	GEAR SHIFTING..D-5	OPTIONAL.....H-14	SIGNAL GENERATOR..E-4	TRANSMISSION....D-3
CARBURETOR FIT..C-4	CYLINDER.....B-4	FR CALIPERS....G-9	HANDLE SWITCH..G-8	REAR CALIPER....H-6	SPEEDOMETER.....E-7	URNSIGNAL LAMP..E-9
CLUTCH.....D-2	CYLINDER HEAD...B-3	FR DAMPER.....G-2	HANDLEBAR.....G-7	RR CUSHION LEVER..H-3	STAND.....F-3	WIRING HARNESS..E-11

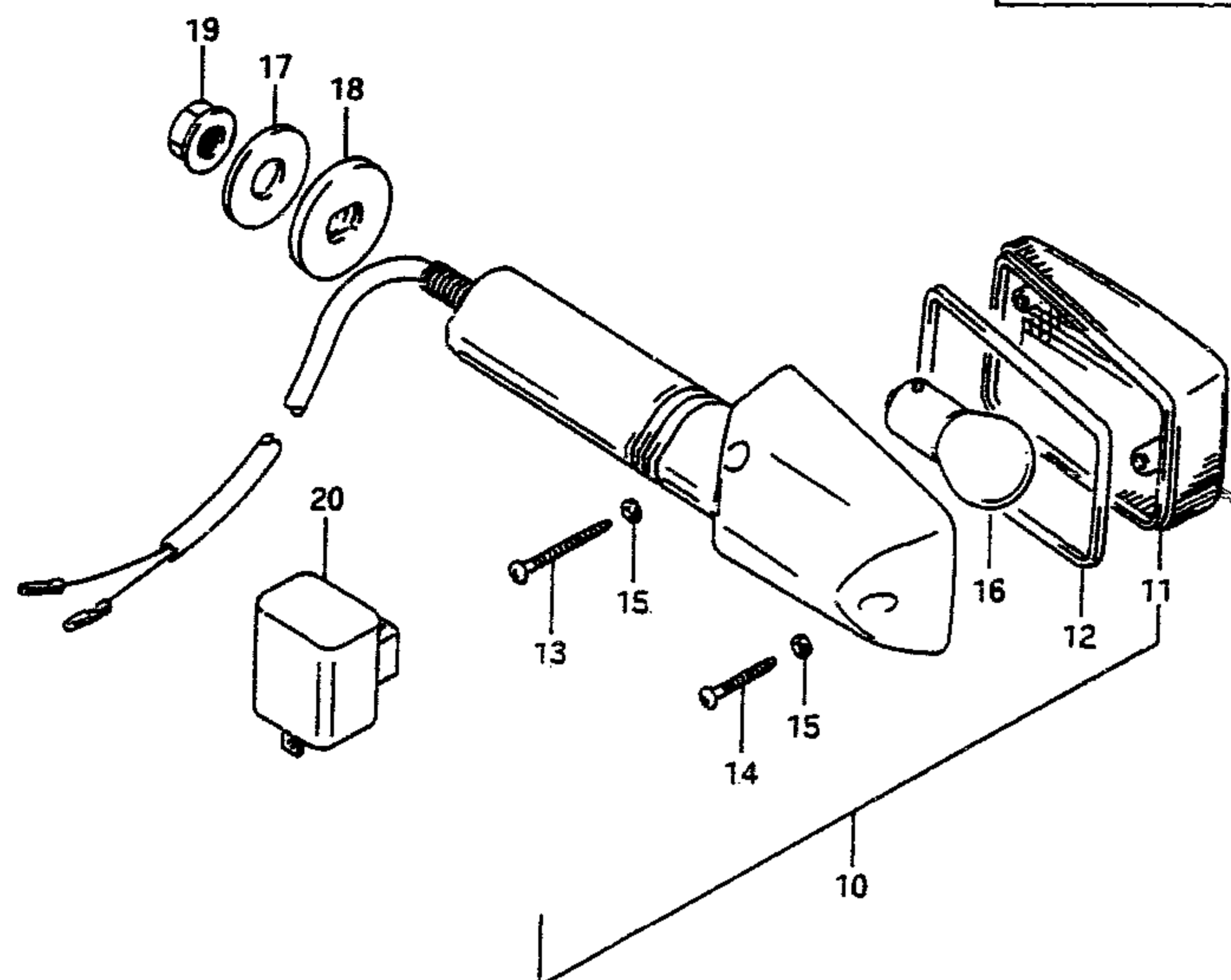
FIG. 27

E - 9

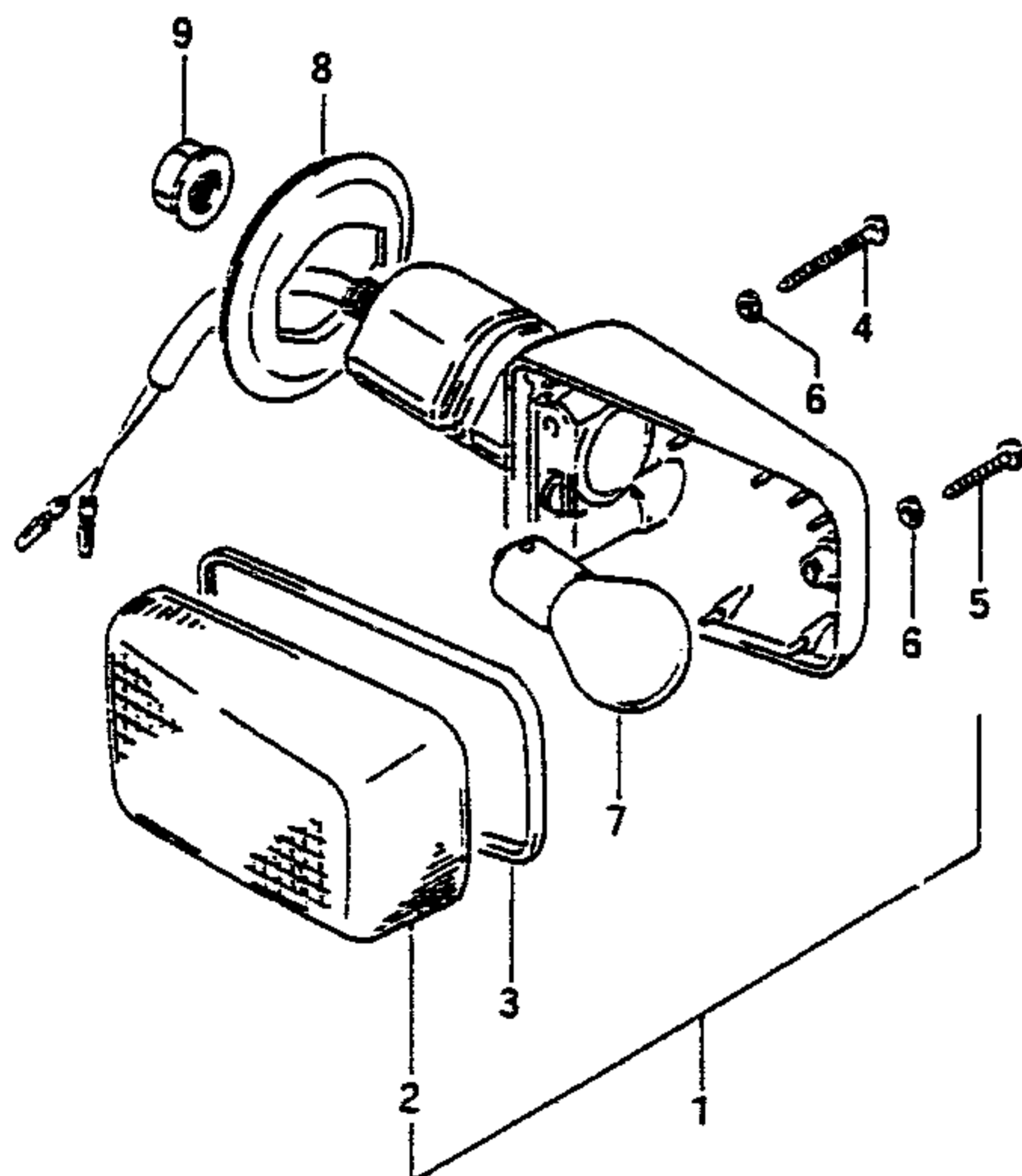
FIG. 27 ( E - 9) TURN SIGNAL LAMP

Q'TY

REMARKS



REF.NO.	PART NO.	DESCRIPTION	Q'TY	REMARKS
1-1	35601-12C11	LAMP ASSY, front turnsignal	2	model M
1-2	35601-01D00	LAMP ASSY, front turnsignal	2	model N
2	35612-17C20	.LENS	2	
3	35613-27A00	.GASKET	2	
4	35623-27A00	.TAPPING SCREW	4	
5	35725-40511	.TAPPING SCREW	2	
6	35627-27A02	.GASKET	6	
7	09471-12045	.BULB (12V,21W)	2	
8	35674-27A01	GROMMET	2	
9	08316-26105	NUT	2	
10	35601-17C41	LAMP ASSY, rear turnsignal	2	
11	35612-17C20	.LENS	2	
12	35613-27A00	.GASKET	2	
13	35623-27A00	.TAPPING SCREW	4	
14	35725-40511	.TAPPING SCREW	2	
15	35627-27A02	.GASKET	6	
16	09471-12045	.BULB (12V,21W)	2	
17	09160-10094	WASHER	2	
18	35695-17C00	SPACER	2	
19	08310-12108	NUT	2	
20	38610-31310	RELAY ASSY, turnsignal	1	



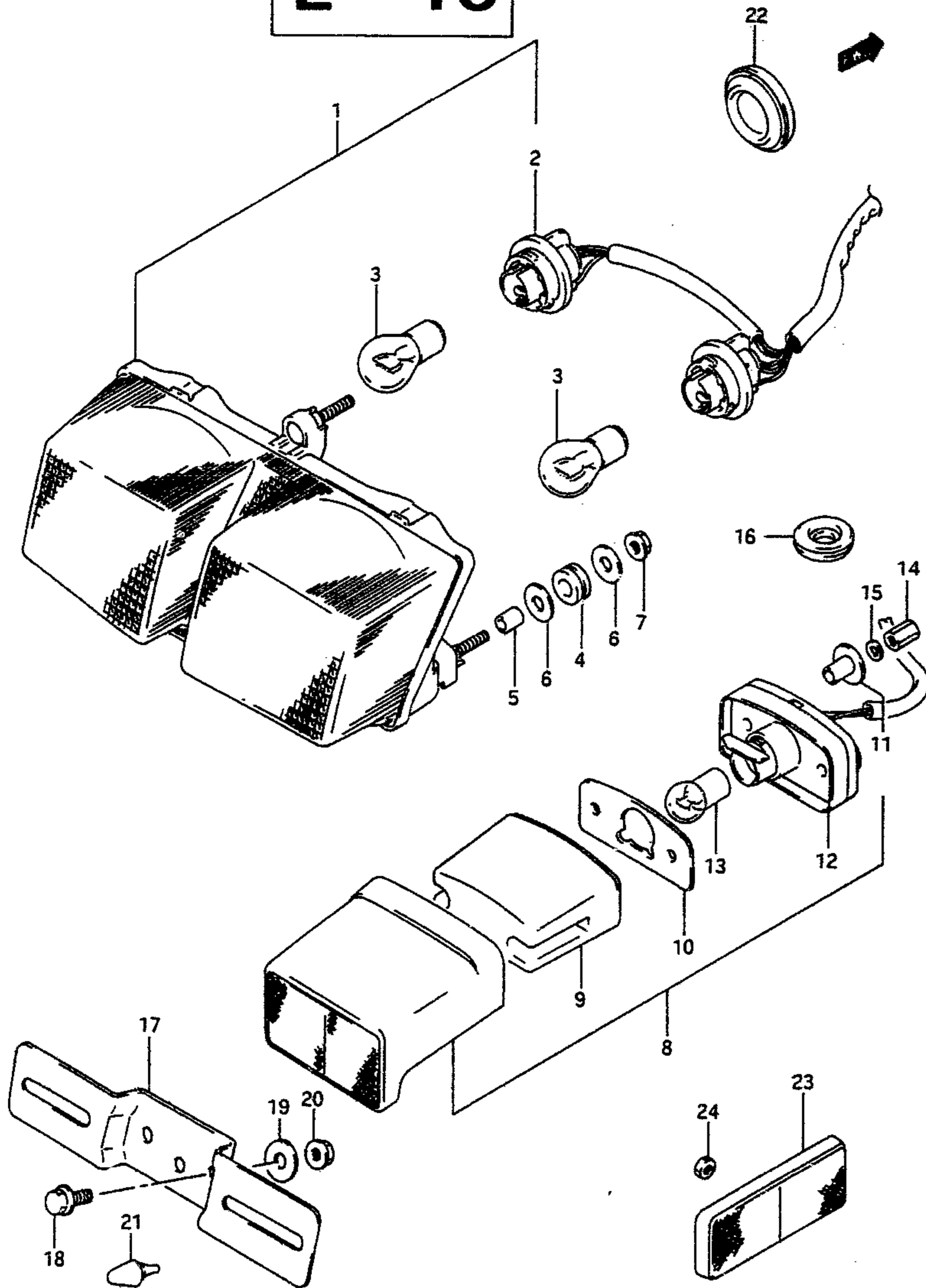
GSX-R1100N E28

GSX-R1100N E28

AIR CLEANER.....C-5	CLUTCH MASTER CYL.....G-12	CYL HEAD COVER.....B-2	FR FENDER.....G-5	HEADLAMP.....E-8	RR FENDER.....H-4	STARTER CLUTCH.....B-11
ALTERNATOR.....E-3	COSLING BODY.....H-8	ELECTRICAL.....E-6	FR MASTER CYL.....G-11	MUFFLER.....C-6	RR MASTER CYL.....H-7	STARTING MOTOR.....E-2
BATTERY.....E-5	COWLING FIT SET.....H-12	FOOTREST.....F-4	FR WHEEL.....G-6	OIL COOLER.....C-7	RR SWINGING ARM.....H-2	STEERING DAMPER.....G-4
CAM CHAIN.....B-14	CRANKCASE.....B-5	FRAME.....F-2	FUEL COCK.....F-7	OIL PAN.....B-8	RR WHEEL.....H-5	STEERING STEM.....G-3
CAM SHAFT.....B-12	CRANKCASE COVER.....B-7	FRAME COVER.....F-10	FUEL TANK.....F-5	OIL PUMP.....B-9	SEAT.....F-8	TAIL LAMP.....E-10
CARBURETOR.....C-2	CRANKSHAFT.....B-10	FR BRAKE HOSE.....G-10	GEAR SHIFTING.....D-5	OPTIONAL.....H-14	SIGNAL GENERATOR.....E-4	TRANSMISSION.....D-3
CARBURETOR FIT.....C-4	CYLINDER.....B-4	FR CALIPERS.....G-9	HANDLE SWITCH.....G-8	REAR CALIPER.....H-6	SPEEDOMETER.....E-7	TURN SIGNAL LAMP.....E-9
CLUTCH.....D-2	CYLINDER HEAD.....B-3	FR DAMPER.....G-2	HANDLEBAR.....G-7	RR CUSHION LEVER.....H-3	STAND.....F-3	WIRING HARNESS.....E-11

FIG. 28

**E - 10**



GSX-R1100N E28

FIG.28 ( E-10) TAIL LAMP - LICENSE LAMP

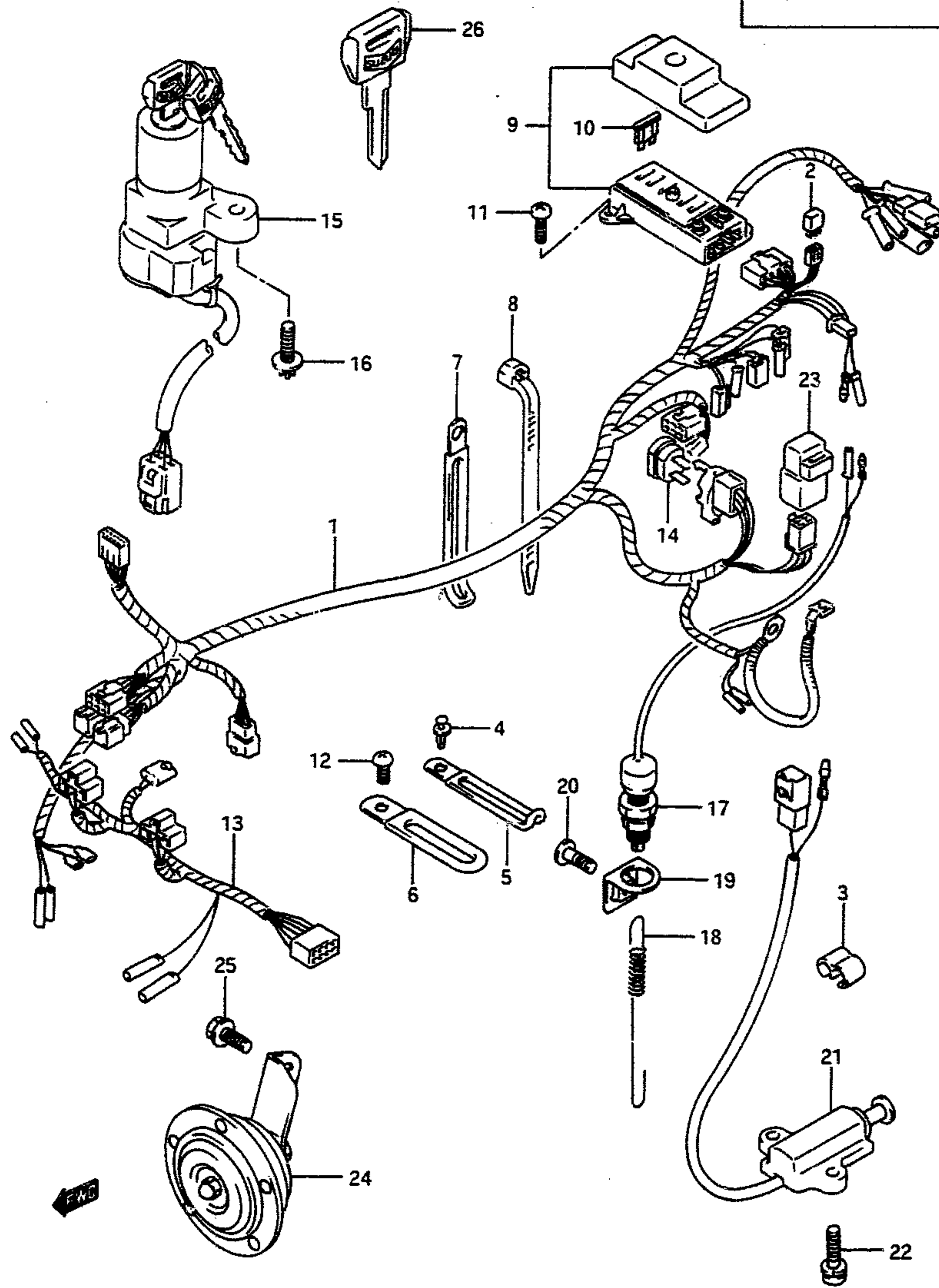
REF.NO.	PART NO.	DESCRIPTION	Q'TY	REMARKS
1	35710-41C30	LAMP ASSY, rear combination	1	
2	35718-41C00	.SOCKET & CORD	1	
3	09471-12083	.BULB (12V,21/5W)	2	
4	09320-08048	CUSHION	3	
5	09180-06044	SPACER	3	
6	09160-06056	WASHER	6	
7	08316-26066	NUT	3	
8	35910-17C00	LAMP ASSY, license	1	
9	35912-38A30	.LENS, license lamp	1	
10	35913-38A30	.GASKET	1	
11	35766-17C00	.SPACER	2	
12	35915-17C00	.HOUSING	1	
13	09471-12058	.BULB (12V,5W)	1	
14	09140-04006	NUT	2	
15	08321-21046	LOCK WASHER	2	
16	09308-07013	GROMMET	2	
17	35927-00A10	BRACKET, license plate	1	
18	01517-06164	BOLT	2	
19	09160-06059	WASHER	2	
20	08316-26066	NUT	2	
21	09321-06023	CUSHION	1	
22	09250-30010	GROMMET	2	
23	35970-00A21	REFLEX REFLECTOR, rear side	2	
24	08310-22055	NUT	2	

GSX-R1100N E28

AIR CLEANER.....C-5	CLUTCH MASTER CYL..G-12	CYL HEAD COVER..B-2	FR FENDER.....G-5	HEADLAMP.....E-8	RR FENDER.....H-4	STARTER CLUTCH..B-11
ALTERNATOR.....E-3	COSLING BODY.....H-8	ELECTRICAL.....E-6	FR MASTER CYL..G-11	MUFFLER.....C-6	RR MASTER CYL....H-7	STARTING MOTOR..E-2
BATTERY.....E-5	COWLING FIT SET..H-12	FOOTREST.....F-4	FR WHEEL.....G-6	OIL COOLER.....C-7	RR SWINGING ARM..H-2	STEERING DAMPER..G-4
CAM CHAIN.....B-14	CRANKCASE.....B-5	FRAME.....F-2	FUEL COCK.....F-7	OIL PAN.....B-8	RR WHEEL.....H-5	STEERING STEM...G-3
CAM SHAFT.....B-12	CRANKCASE COVER..B-7	FRAME COVER...F-10	FUEL TANK.....F-5	OIL PUMP.....B-9	SEAT.....F-8	TAIL LAMP.....E-10
CARBURETOR.....C-2	CRANKSHAFT.....B-10	FR BRAKE HOSE..G-10	GEAR SHIFTING..D-5	OPTIONAL.....H-14	SIGNAL GENERATOR..E-4	TRANSMISSION...D-3
CARBURETOR FIT..C-4	CYLINDER.....B-4	FR CALIPERS...G-9	HANDLE SWITCH..G-8	REAR CALIPER....H-6	SPEEDOMETER.....E-7	TURNSIGNAL LAMP..E-9
CLUTCH.....D-2	CYLINDER HEAD...B-3	FR DAMPER.....G-2	HANDLEBAR.....G-7	RR CUSHION LEVER..H-3	STAND.....F-3	WIRING HARNESS..E-11

FIG. 29

E-11



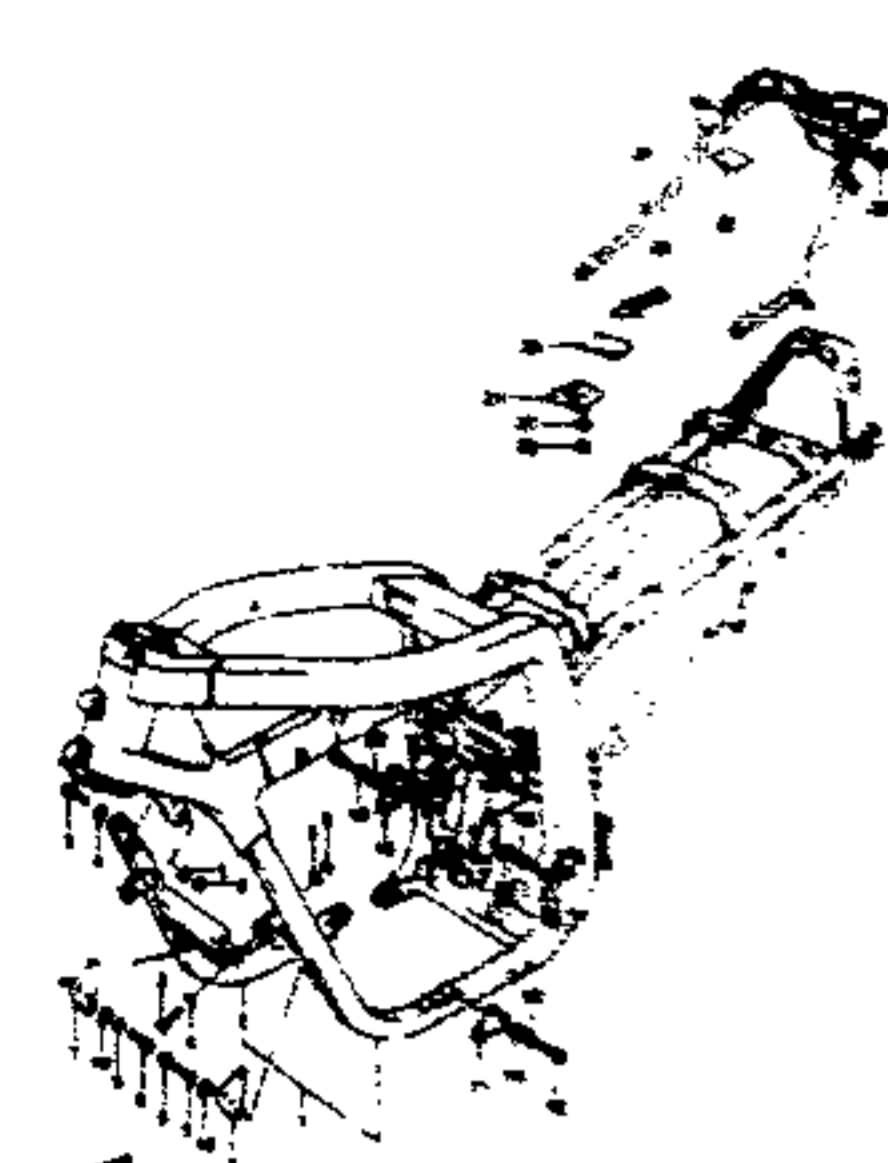
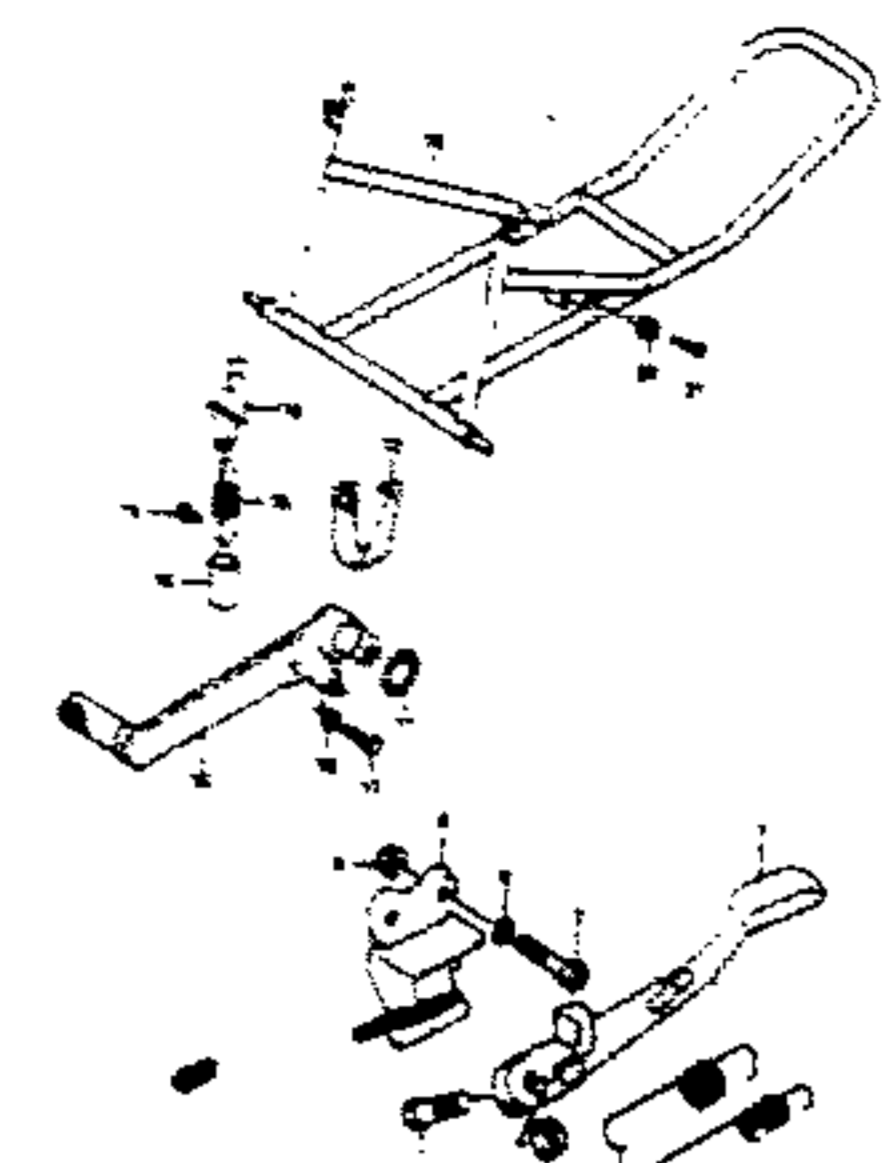
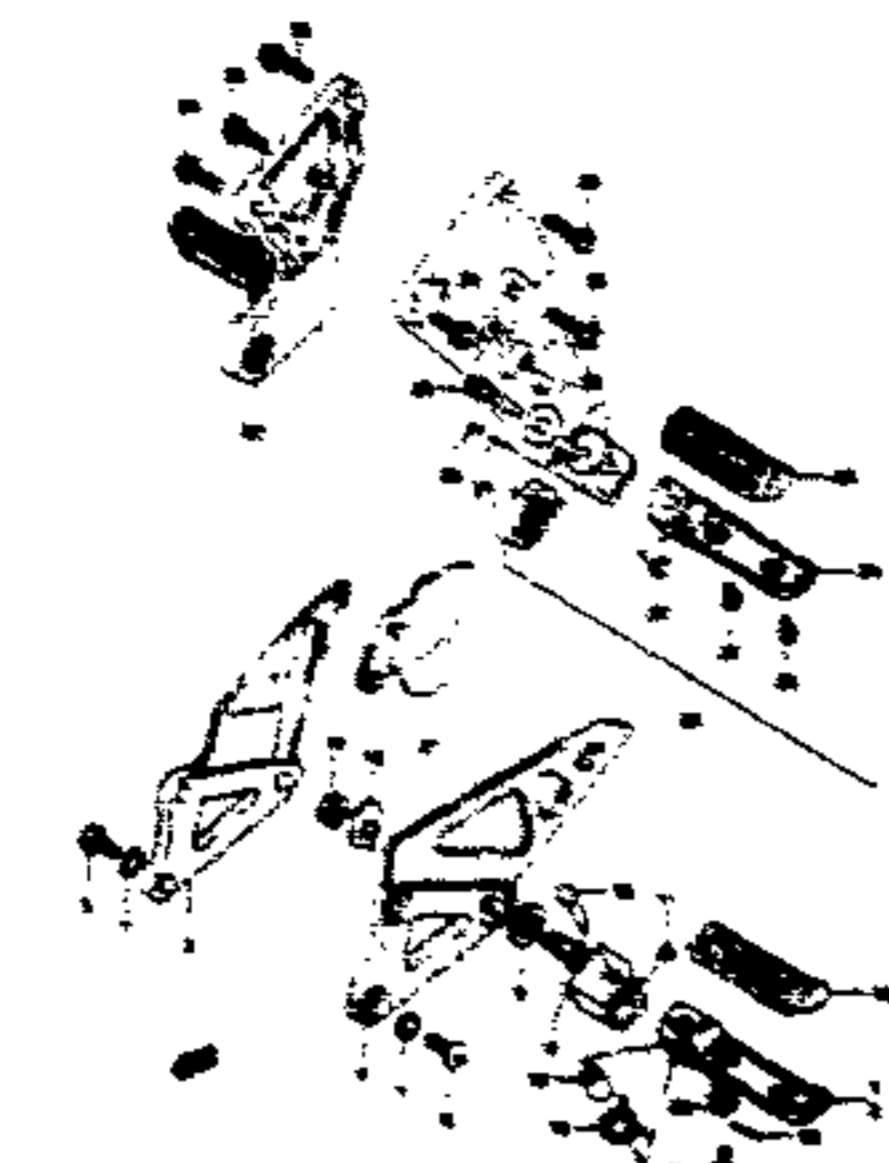
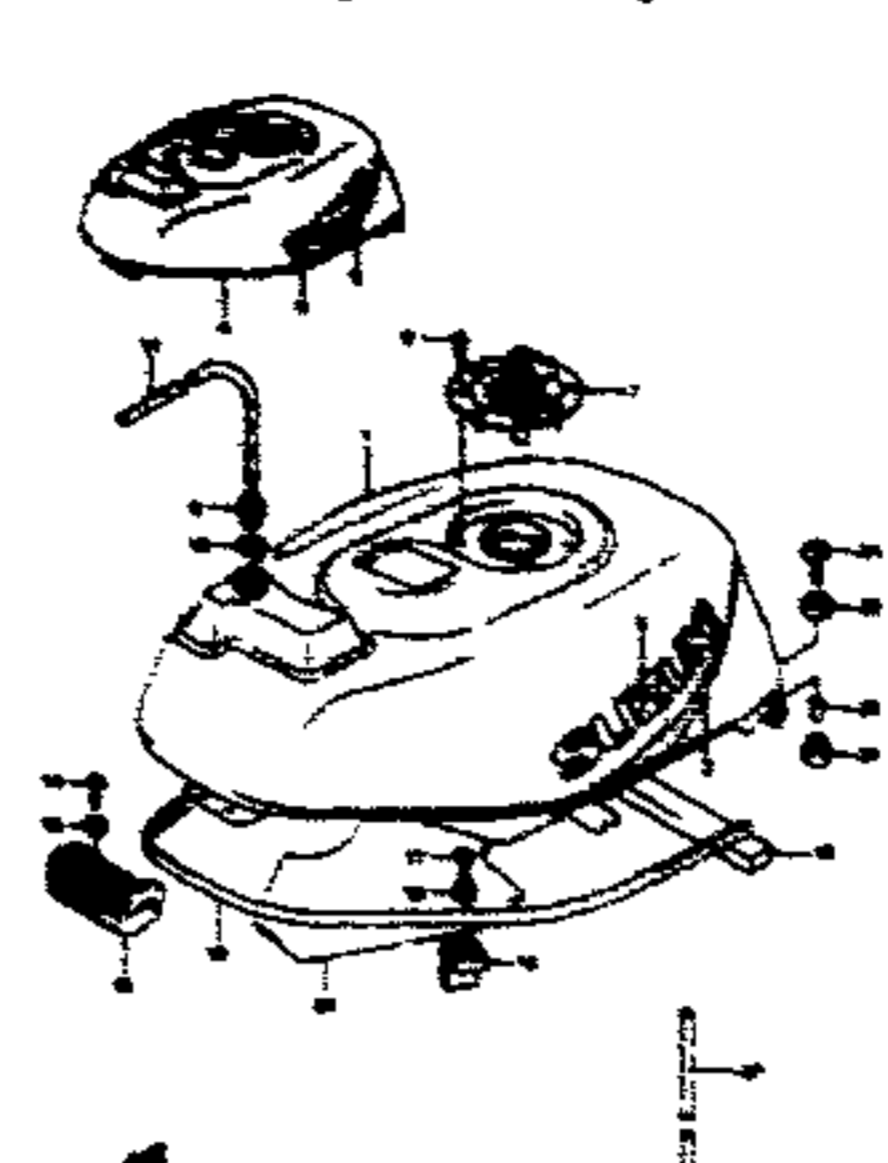
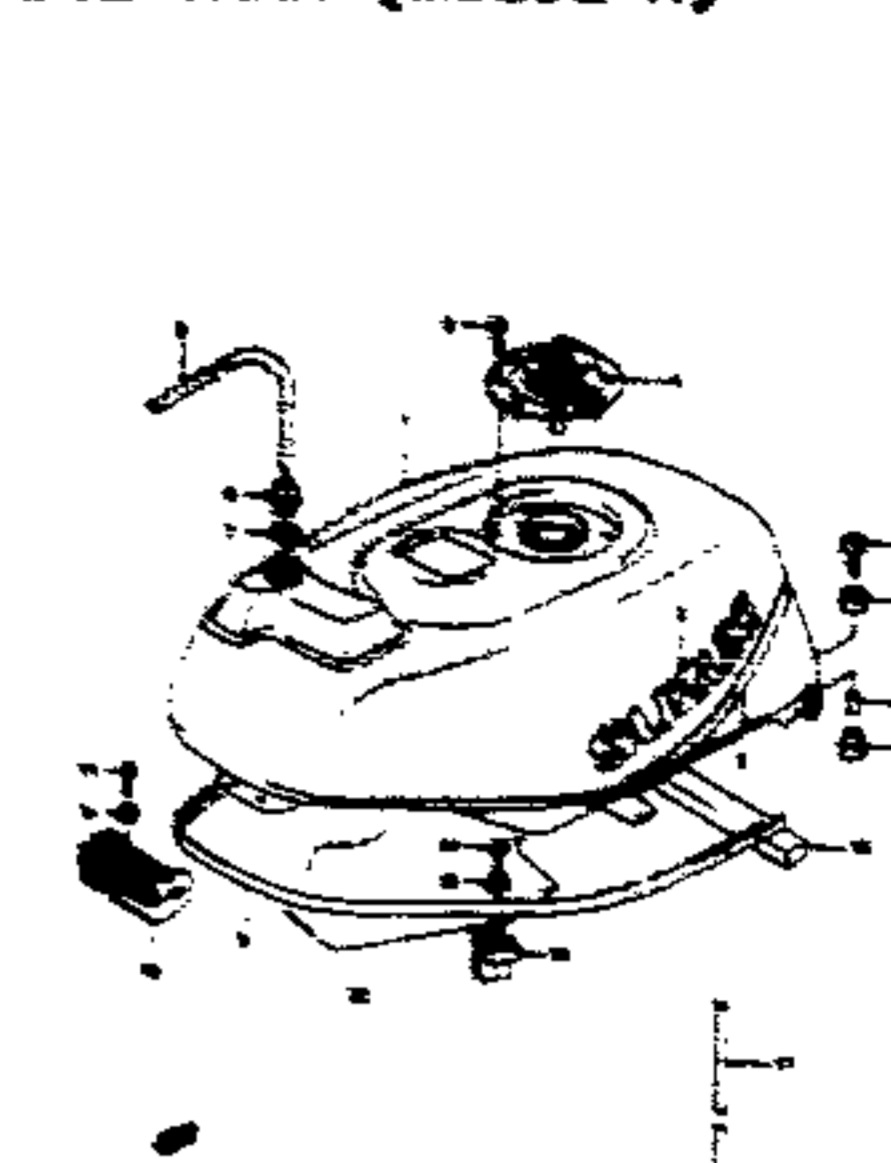
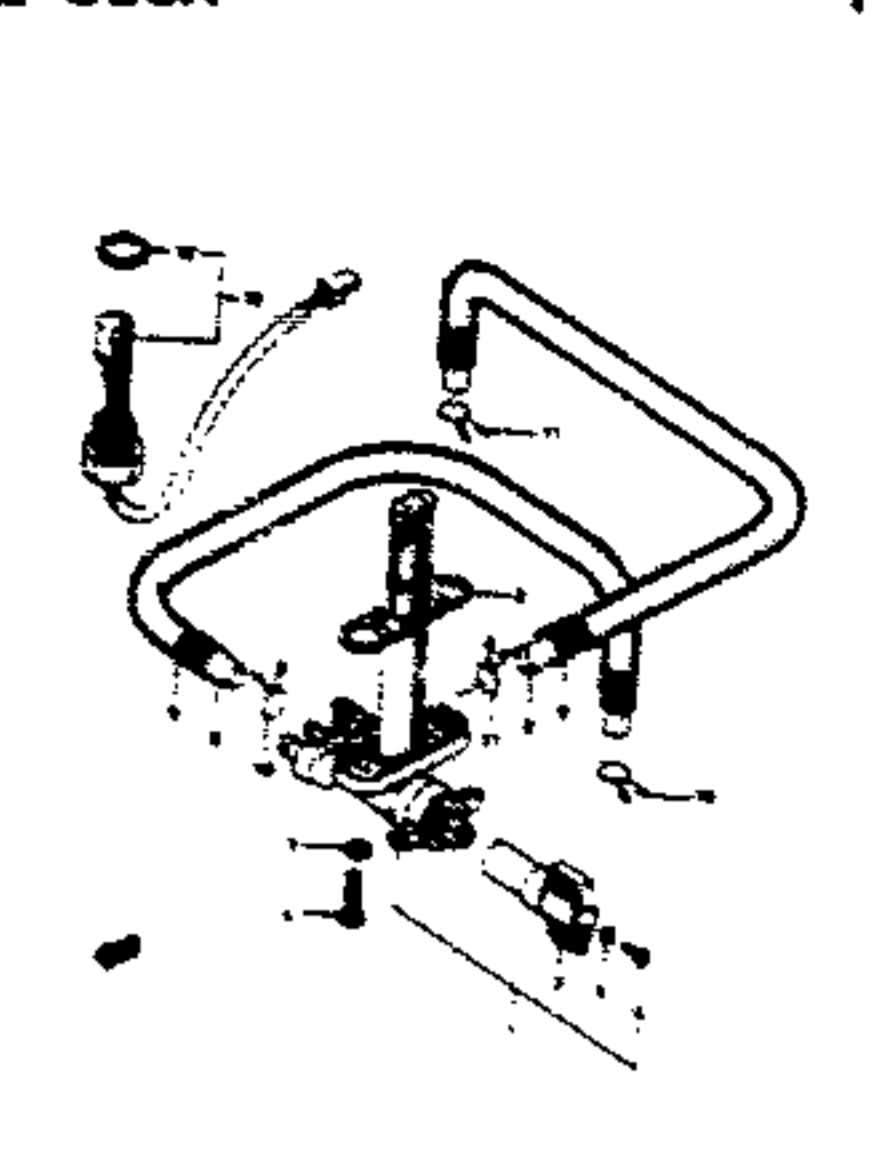
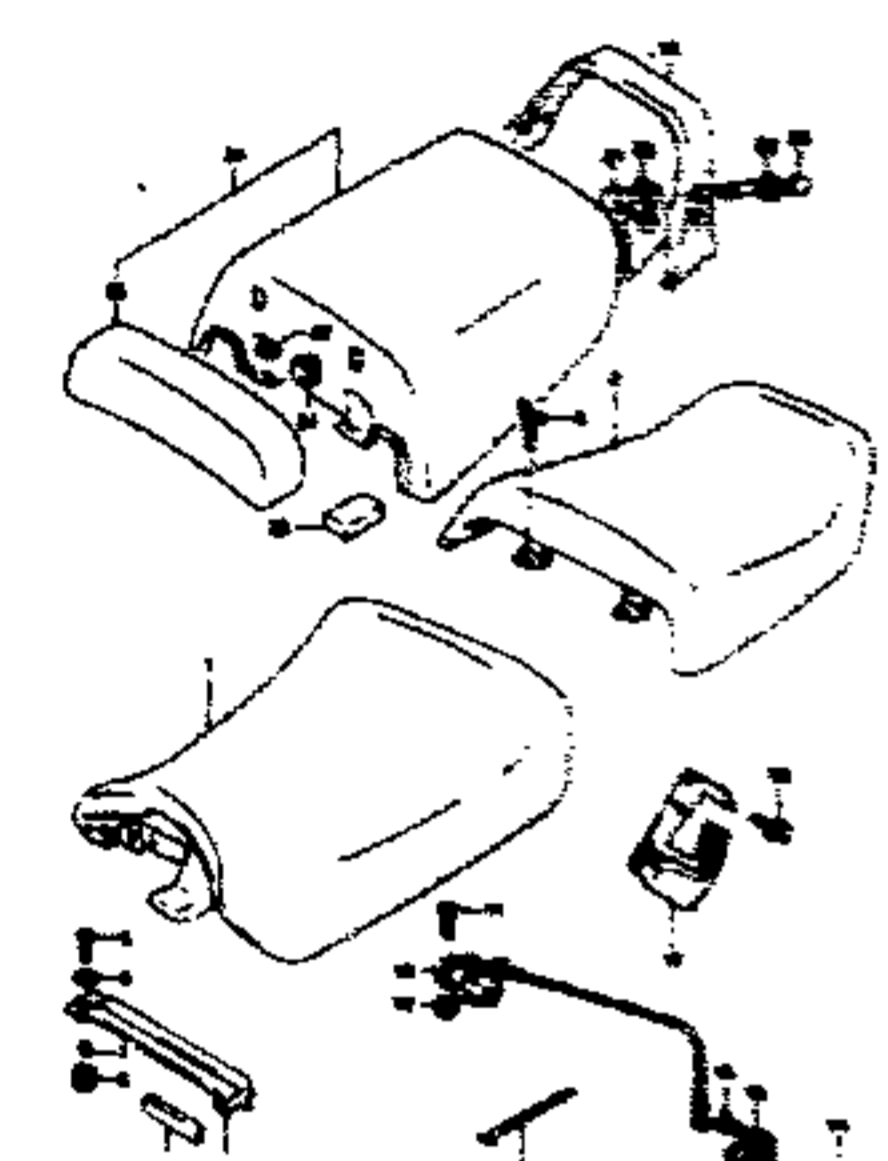
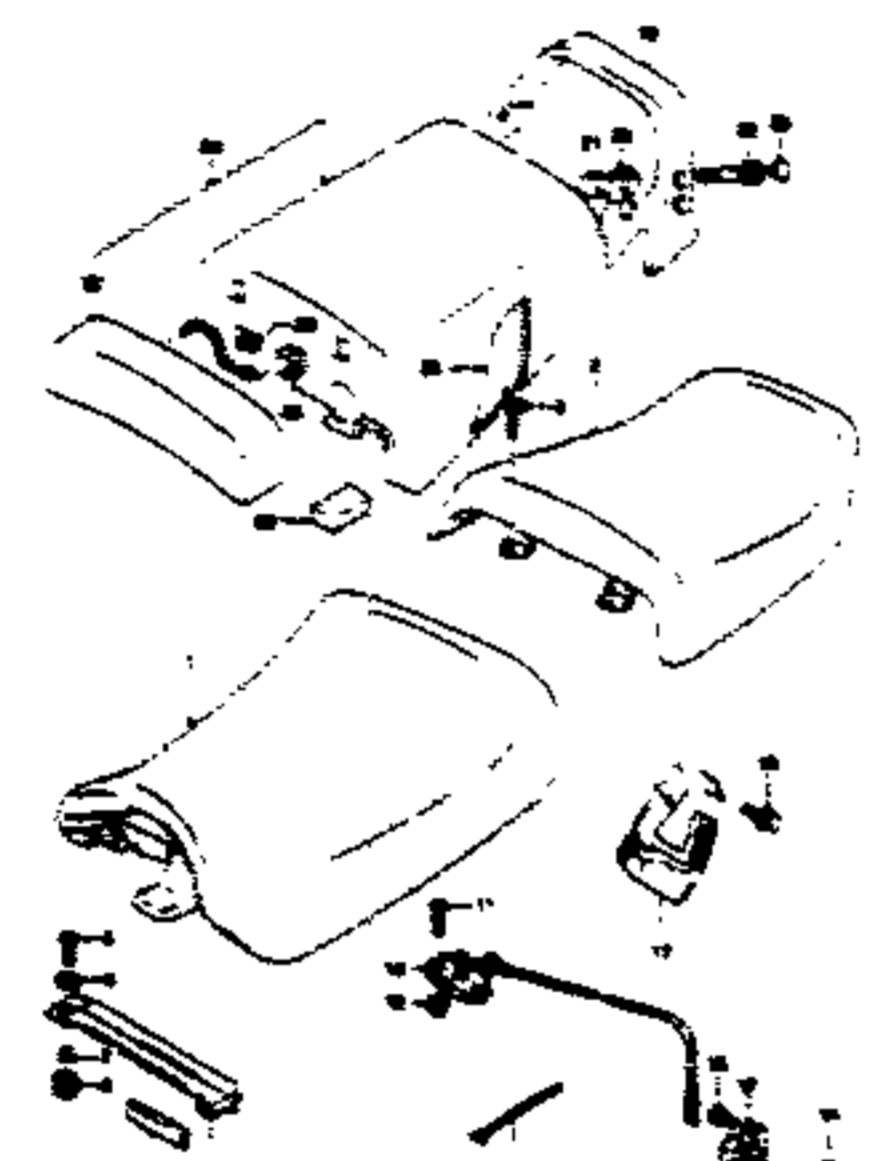
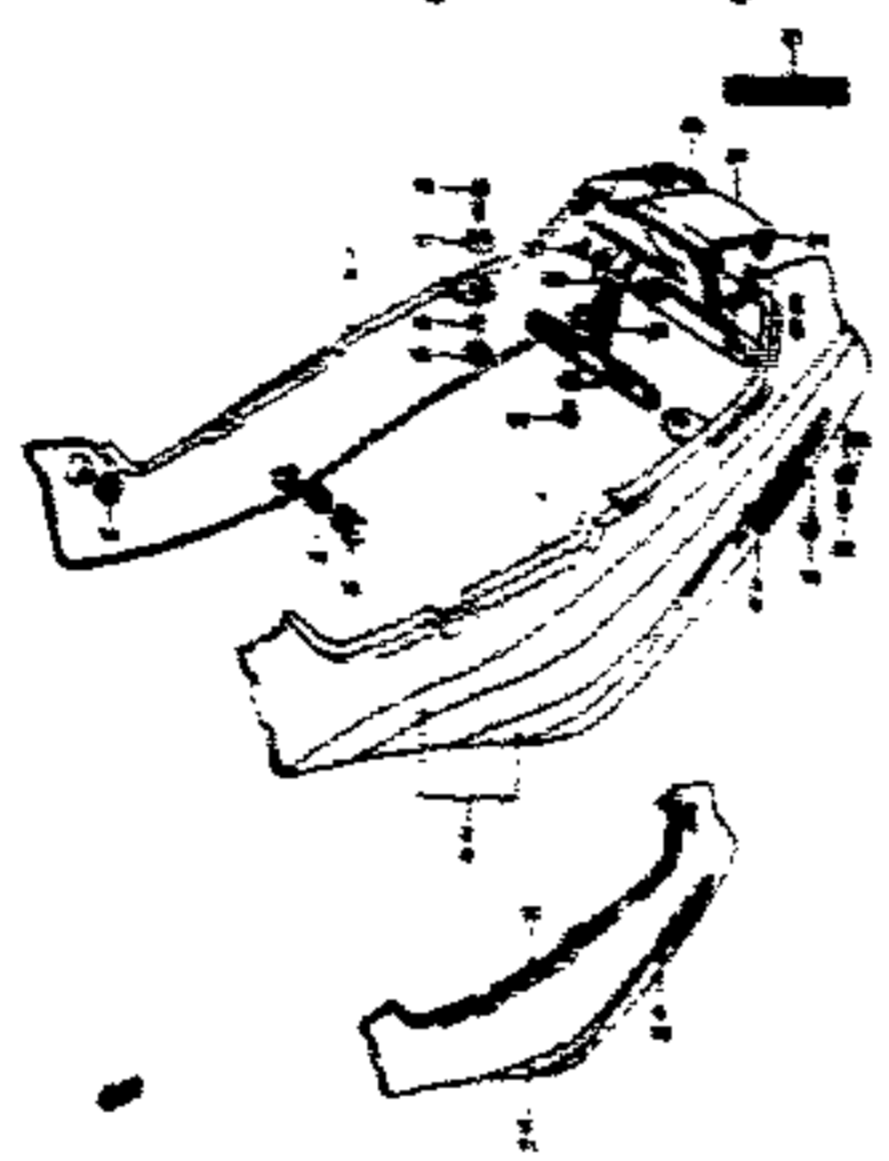
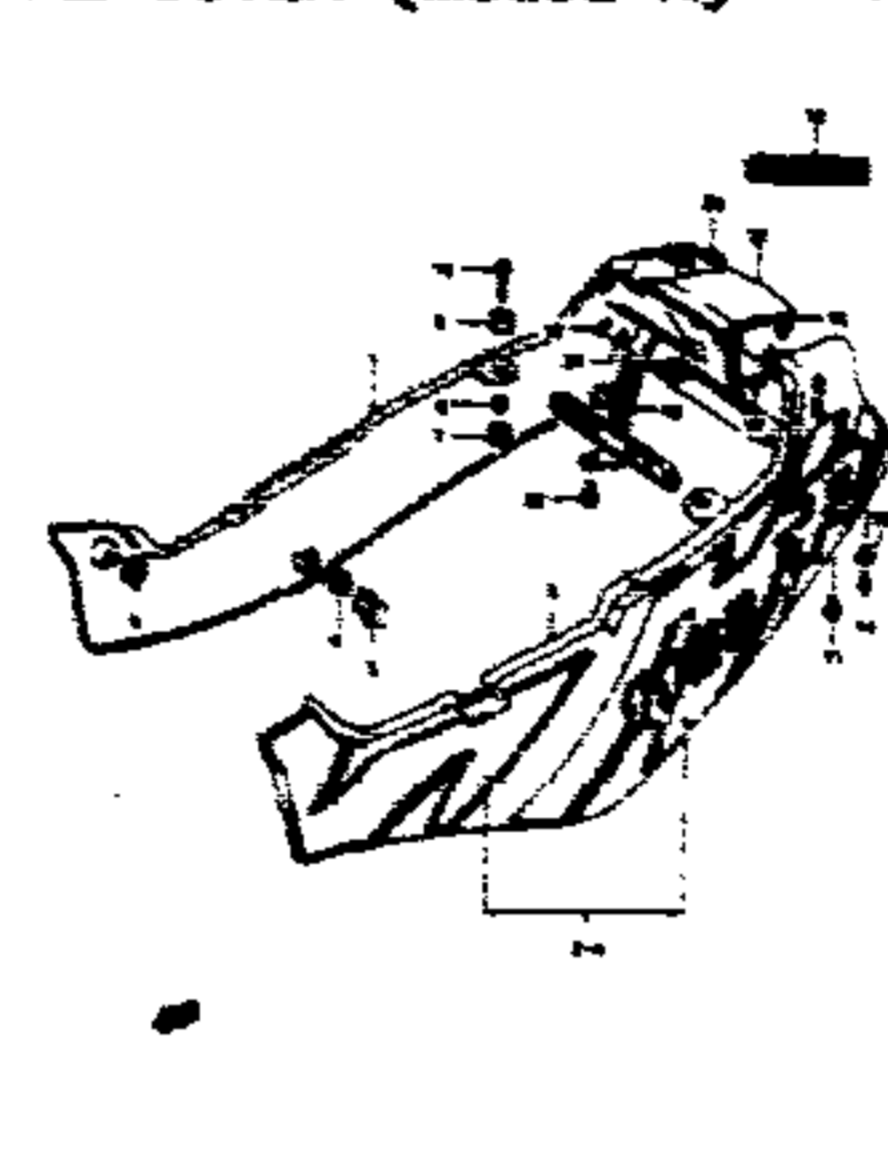
GSX-R1100N E28

FIG.29 ( E-11) WIRING HARNESS

REF.NO.	PART NO.	DESCRIPTION	Q'TY	REMARKS
1-1	36610-41C80	HARNESS, wiring	1	model M
1-2	36610-41C30	HARNESS, wiring	1	model N
2	36611-38A00	.DIODE	1	
3	09408-00002	CLIP	1	
4	09409-07305	CLIP	1	
5-1	09404-06403	CLAMP (L:55)	2	
5-2	09404-06404	CLAMP (L:80)	6	
6	09404-05403	CLAMP (L:67)	1	
7	09404-10404	CLAMP	1	
8-1	09407-11401	CLAMP	2	
8-2	09407-14403	CLAMP (L:125)	9	
8-3	09407-18402	CLAMP (L:165)	5	
8-4	09407-25401	CLAMP	3	
9	36740-17D00	BOX ASSY, fuse	1	
10-1	09481-10101	.FUSE (10A)	4	
10-2	09481-20101	.FUSE (20A)	1	
11	02142-05164	SCREW	2	
12	02142-05128	SCREW	1	
13	36856-41C00	WIRE, headlamp lead	1	
14	36750-05A00	BREAKER ASSY, circuit	1	
15	37100-17C02	SWITCH ASSY, ignition	1	
16	09139-06026	BOLT	2	
17	37740-04A10	SWITCH ASSY, stop lamp	1	
18	09443-06012	SPRING	1	
19	43251-17C01	BRACKET, switch	1	
20	09139-06027	BOLT	1	
21	37840-17C01	SWITCH, side stand warning	1	
22	02112-36165	SCREW	2	
23	38740-24B10	RELAY ASSY. side stand	1	
24	38500-41C00	HORN ASSY	1	
25	01517-06105	BOLT	2	
26	37146-03A80	KEY, blank	1	OPT

GSX-R1100N E28

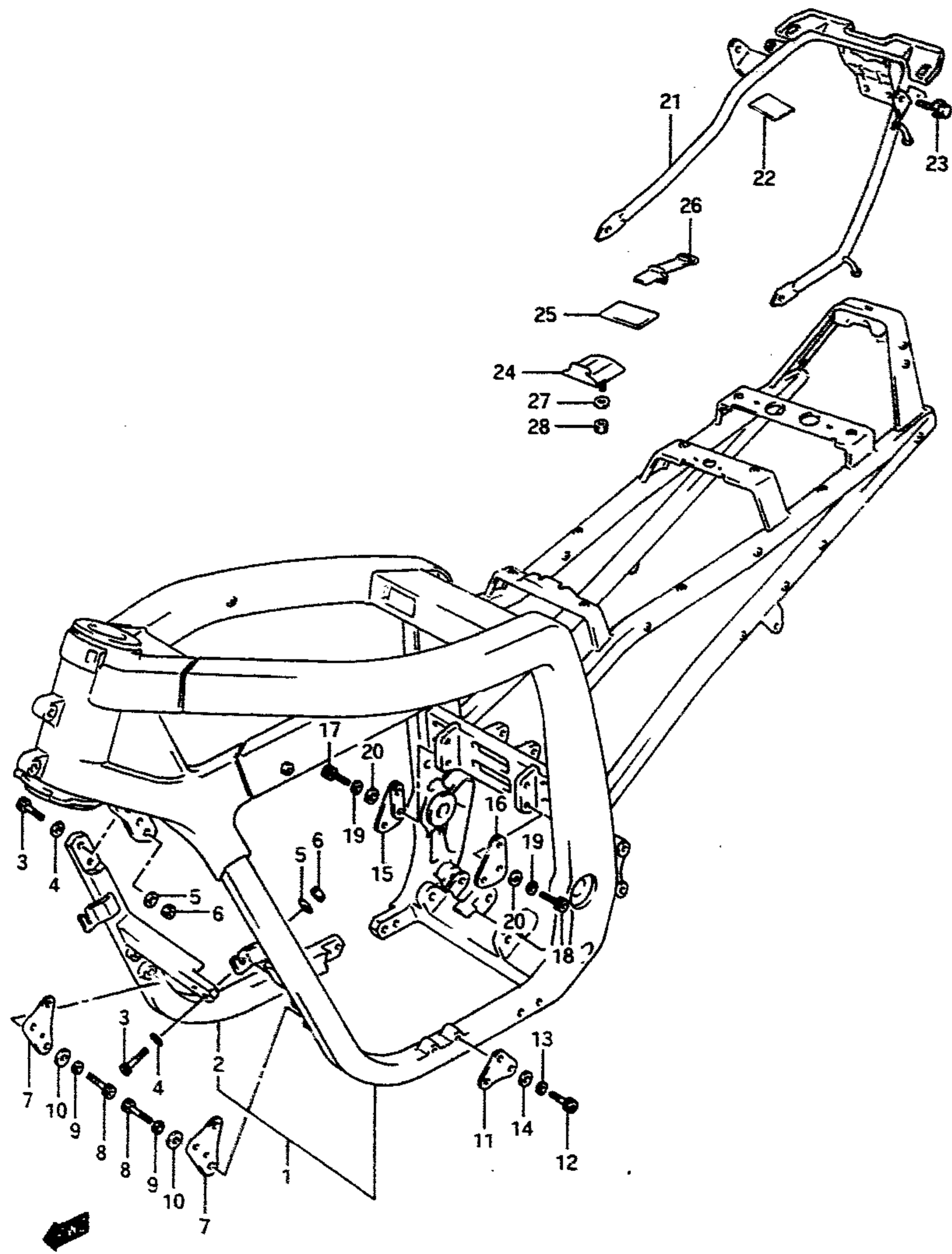
AIR CLEANER.....C-5	CLUTCH MASTER CYL..G-12	CYL HEAD COVER..B-2	FR FENDER.....G-5	HEADLAMP.....E-8	RR FENDER.....H-4	STARTER CLUTCH..B-11
ALTERNATOR.....E-3	COSLING BODY.....H-8	ELECTRICAL.....E-6	FR MASTER CYL..G-11	MUFFLER.....C-6	RR MASTER CYL...H-7	STARTING MOTOR..E-2
BATTERY.....E-5	COWLING FIT SET..H-12	FOOTREST.....F-4	FR WHEEL.....G-6	OIL COOLER.....C-7	RR SWINGING ARM..H-2	STEERING DAMPER..G-4
CAM CHAIN.....B-14	CRANKCASE.....B-5	FRAME.....F-2	FUEL COCK.....F-7	OIL PAN.....B-8	RR WHEEL.....H-5	STEERING STEM...G-3
CAM SHAFT.....B-12	CRANKCASE COVER..B-7	FRAME COVER...F-10	FUEL TANK.....F-5	OIL PUMP.....B-9	SEAT.....F-8	TAIL LAMP.....E-10
CARBURETOR.....C-2	CRANKSHAFT.....B-10	FR BRAKE HOSE..G-10	GEAR SHIFTING..D-5	OPTIONAL.....H-14	SIGNAL GENERATOR..E-4	TRANSMISSION...D-3
CARBURETOR FIT..C-4	CYLINDER.....B-4	FR CALIPERS...G-9	HANDLE SWITCH..G-8	REAR CALIPER...H-6	SPEEDOMETER.....E-7	TURNSIGNAL LAMP..E-9
CLUTCH.....D-2	CYLINDER HEAD...B-3	FR DAMPER.....G-2	HANDLEBAR.....G-7	RR CUSHION LEVER..H-3	STAND.....F-3	WIRING HARNESS..E-11

<p>FRAME</p> 	<p>F-2 STAND</p> 	<p>F-3 FOOTREST</p> 	<p>F-4 FUEL TANK (model N)</p> 	<p>F-5 FUEL TANK (model N)</p> 	<p>F-6 FUEL COCK</p> 
<p>SEAT (model M)</p> 	<p>F-8 SEAT (model N)</p> 	<p>F-9 FRAME COVER (model N)</p> 	<p>F-10 FRAME COVER (model N)</p> 		

AIR CLEANER.....C-5	CLUTCH MASTER CYL.....G-12	CYL HEAD COVER.....B-2	FR FENDER.....G-5	HEADLAMP.....E-8	RR FENDER.....H-4	STARTER CLUTCH.....B-11
ALTERNATOR.....E-3	COSLING BODY.....H-8	ELECTRICAL.....E-6	FR MASTER CYL.....G-11	MUFFLER.....C-6	RR MASTER CYL.....H-7	STARTING MOTOR.....E-2
BATTERY.....E-5	COWLING FIT SET.....H-12	FOOTREST.....F-4	FR WHEEL.....G-6	OIL COOLER.....C-7	RR SWINGING ARM.....H-2	STEERING DAMPER.....G-4
CAM CHAIN.....B-14	CRANKCASE.....B-5	FRAME.....F-2	FUEL COCK.....F-7	OIL PAN.....B-8	RR WHEEL.....H-5	STEERING STEM.....G-3
CAM SHAFT.....B-12	CRANKCASE COVER.....B-7	FRAME COVER.....F-10	FUEL TANK.....F-5	OIL PUMP.....B-9	SEAT.....F-8	TAIL LAMP.....E-10
CARBURETOR.....C-2	CRANKSHAFT.....B-10	FR BRAKE HOSE.....G-10	GEAR SHIFTING.....D-5	OPTIONAL.....H-14	SIGNAL GENERATOR.....E-4	TRANSMISSION.....D-3
CARBURETOR FIT.....C-4	CYLINDER.....B-4	FR CALIPERS.....G-9	HANDLE SWITCH.....G-8	REAR CALIPER.....H-6	SPEEDOMETER.....E-7	TURNSIGNAL LAMP.....E-9
CLUTCH.....D-2	CYLINDER HEAD.....B-3	FR DAMPER.....G-2	HANDLEBAR.....G-7	RR CUSHION LEVER.....H-3	STAND.....F-3	WIRING HARNESS.....E-11

FIG. 30

F - 2



35

FIG.30 ( F- 2) FRAME

REF.NO.	PART NO.	DESCRIPTION	Q'TY	REMARKS
1	41100-41810	FRAME SET	1	
2	41140-40C30	.TUBE, frame down RH	1	
3	07110-10357	.BOLT	6	
4	09160-10013	.WASHER	6	
5	09164-10005	.WASHER	6	
6	09159-10027	.NUT	6	
7	41911-41C00	PLATE, engine mount No.1	2	
8	07110-08257	BOLT	4	
9	08321-31087	LOCK WASHER	4	
10	09160-08010	WASHER (8.2x20x1.6)	4	
11	41921-17C02	PLATE, engine mount No.2	2	
12	07110-08257	BOLT	4	
13	08321-31087	LOCK WASHER	4	
14	09160-08010	WASHER (8.2x20x1.6)	4	
15	41940-40C01	PLATE, engine mount No.3 RH	1	
16	41950-40C01	PLATE, engine mount No.3 LH	1	
17	09106-08005	BOLT, RH	2	
18	07110-08357	BOLT, LH	2	
19	08321-31087	LOCK WASHER	4	
20	09160-08010	WASHER	4	
21	43980-41C10	GRIP, rear	1	
22	41881-06C00	PROTECTOR	1	
23	01517-08207	BOLT	2	
24	41550-49200	HOLDER, tool	1	
25	44885-38A00	CUSHION, tool holder	1	
26	09462-00093	BAND, tool	1	
27	09160-06006	WASHER	2	
28	08319-21066	NUT	2	

GSX-R1100N E28

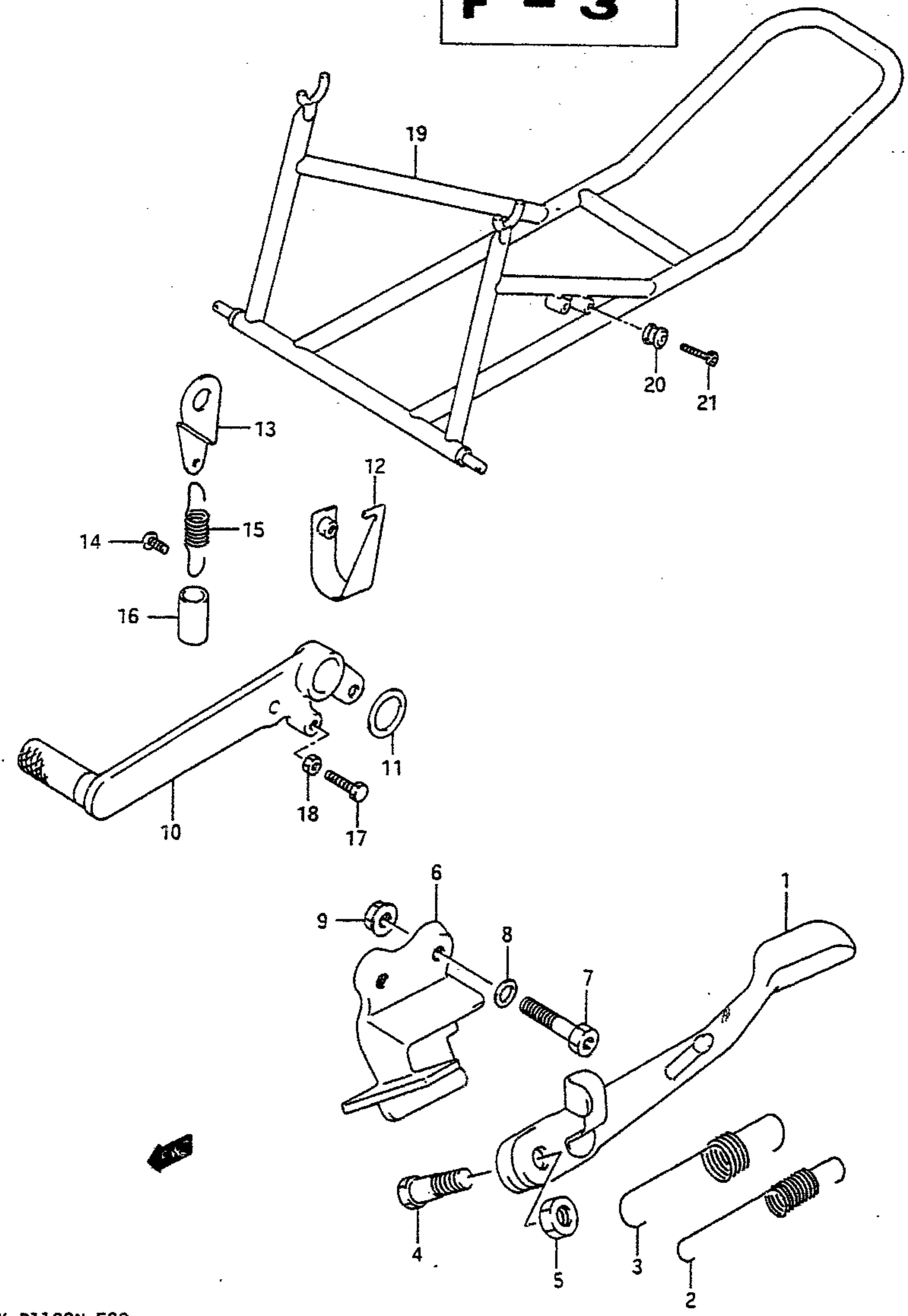
GSX-R1100N E28

AIR CLEANER.....C-5	CLUTCH MASTER CYL.....G-12	CYL HEAD COVER.....B-2	FR FENDER.....G-5	HEADLAMP.....E-8	RR FENDER.....H-4	STARTER CLUTCH.....B-11
ALTERNATOR.....E-3	COSLING BODY.....H-8	ELECTRICAL.....E-6	FR MASTER CYL.....G-11	MUFFLER.....C-6	RR MASTER CYL.....H-7	STARTING MOTOR.....E-2
BATTERY.....E-5	COWLING FIT SET.....H-12	FOOTREST.....F-4	FR WHEEL.....G-6	OIL COOLER.....C-7	RR SWINGING ARM.....H-2	STEERING DAMPER.....G-4
CAM CHAIN.....B-14	CRANKCASE.....B-5	FRAME.....F-2	FUEL COCK.....F-7	OIL PAN.....B-8	RR WHEEL.....H-5	STEERING STEM.....G-3
CAM SHAFT.....B-12	CRANKCASE COVER.....B-7	FRAME COVER.....F-10	FUEL TANK.....F-5	OIL PUMP.....B-9	SEAT.....F-8	TAIL LAMP.....E-10
CARBURETOR.....C-2	CRANKSHAFT.....B-10	FR BRAKE HOSE.....G-10	GEAR SHIFTING.....D-5	OPTIONAL.....H-14	SIGNAL GENERATOR.....E-4	TRANSMISSION.....D-3
CARBURETOR FIT.....C-4	CYLINDER.....B-4	FR CALIPERS.....G-9	HANDLE SWITCH.....G-8	REAR CALIPER.....H-6	SPEEDOMETER.....E-7	URNSIGNAL LAMP.....E-9
CLUTCH.....D-2	CYLINDER HEAD.....B-3	FR DAMPER.....G-2	HANDLEBAR.....G-7	RR CUSHION LEVER.....H-3	STAND.....F-3	WIRING HARNESS.....E-11

FIG.31

F - 3

FIG.31 ( F- 3) STAND



REF.NO.	PART NO.	DESCRIPTION	Q'TY	REMARKS
1	42310-40C30	STAND, prop	1	
2	09443-14058	SPRING, inner	1	
3	09443-19011	SPRING, outer	1	
4	09111-10036	BOLT	1	
5	08310-22107	NUT	1	
6	42330-40C20	BRACKET, prop stand	1	
7	07110-08357	BOLT	2	
8	09164-08015	WASHER	2	
9	08316-16088	NUT	2	
10	43110-17C03	PEDAL, brake	1	
11	09160-18022	WASHER	1	
12	43561-17C01	PLATE, brake pedal	1	
13	43563-17C01	BRACKET, stop switch lower	1	
14	09139-06027	BOLT	1	
15	09443-13018	SPRING	1	
16	43261-17C00	TUBE, spring	1	
17	01104-05206	BOLT	1	
18	08310-11057	NUT	1	
19	42100-17C00	STAND ASSY, rear	1	OPT
20	61165-27A30	HOLDER, stand	2	OPT
21	07110-08305	BOLT	2	OPT

GSX-R1100N E28

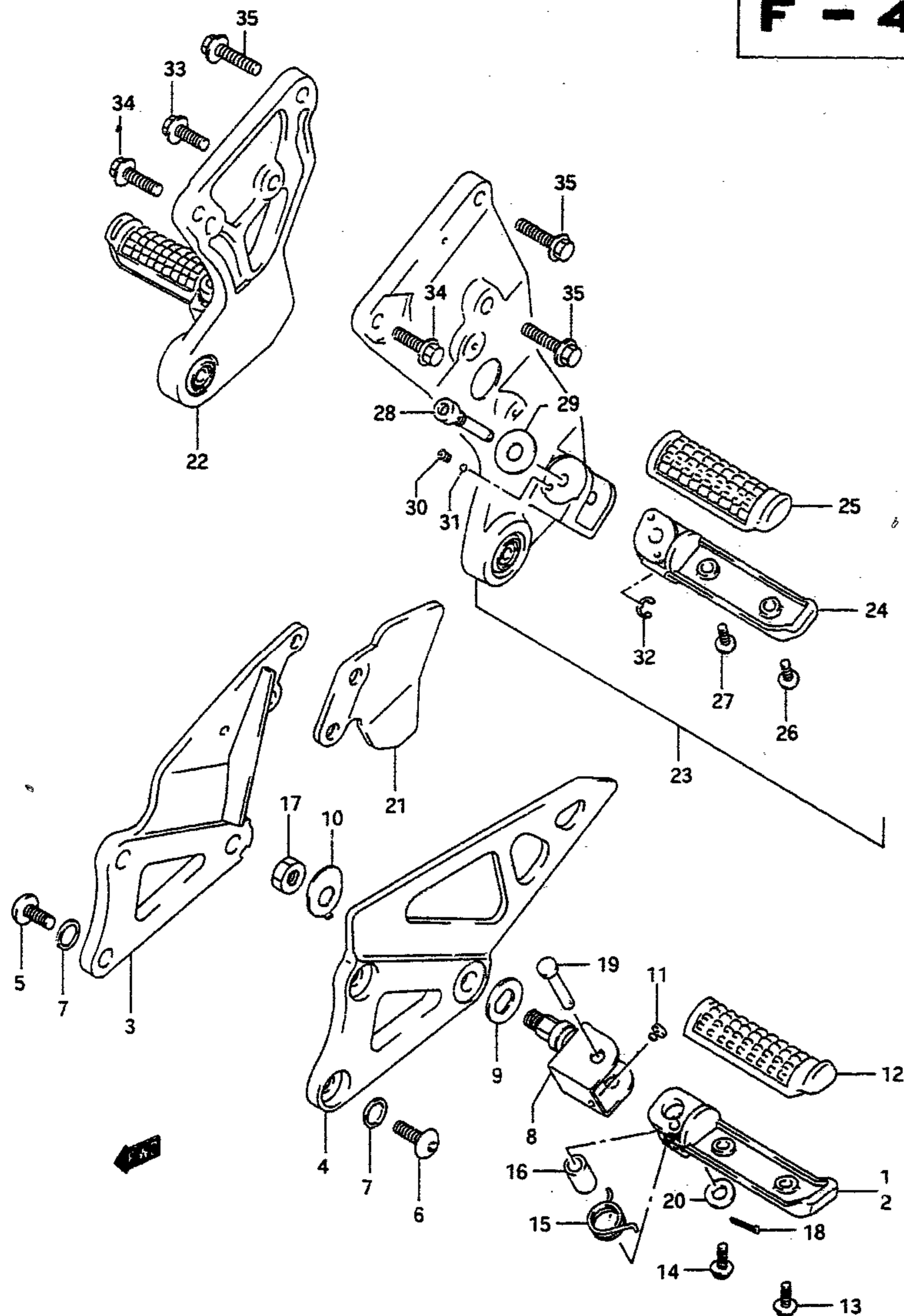
GSX-R1100N E28

AIR CLEANER.....C-5	CLUTCH MASTER CYL.G-12	CYL HEAD COVER.B-2	FR FENDER.....G-5	HEADLAMP.....E-8	RR FENDER.....H-4	STARTER CLUTCH..B-11
ALTERNATOR.....E-3	COSLING BODY.....H-8	ELECTRICAL.....E-6	FR MASTER CYL.G-11	MUFFLER.....C-6	RR MASTER CYL...H-7	STARTING MOTOR..E-2
BATTERY.....E-5	COWLING FIT SET..H-12	FOOTREST.....F-4	FR WHEEL.....G-6	OIL COOLER.....C-7	RR SWINGING ARM..H-2	STEERING DAMPER.G-4
CAM CHAIN.....B-14	CRANKCASE.....B-5	FRAME.....F-2	FUEL COCK.....F-7	OIL PAN.....B-8	RR WHEEL.....H-5	STEERING STEM...G-3
CAM SHAFT.....B-12	CRANKCASE COVER..B-7	FRAME COVER...F-10	FUEL TANK.....F-5	OIL PUMP.....B-9	SEAT.....F-8	TAIL LAMP.....E-10
CARBURETOR.....C-2	CRANKSHAFT.....B-10	FR BRAKE HOSE..G-10	GEAR SHIFTING..D-5	OPTIONAL.....H-14	SIGNAL GENERATOR.E-4	TRANSMISSION....D-3
CARBURETOR FIT.C-4	CYLINDER.....B-4	FR CALIPERS...G-9	HANDLE SWITCH.G-8	REAR CALIPER...H-6	SPEEDOMETER.....E-7	TURNSIGNAL LAMP.E-9
CLUTCH.....D-2	CYLINDER HEAD...B-3	FR DAMPER.....G-2	HANDLEBAR.....G-7	RR CUSHION LEVER.H-3	STAND.....F-3	WIRING HARNESS..E-11

FIG. 32

F - 4

FIG. 32 ( F- 4) FOOTREST



REF.NO.	PART NO.	DESCRIPTION	Q'TY	REMARKS
1	43511-40C00	BAR, front footrest RH	1	
2	43521-40C00	BAR, front footrest LH	1	
3	43511-17D01	BRACKET, footrest RH	1	
4	43522-17D01	BRACKET, footrest LH	1	
5	43529-17D00	BOLT, RH	2	
6	43529-17D10	BOLT, LH	2	
7	09164-10010	WASHER	4	
8	43530-40C00	BOSS, front footrest	2	
9	43213-17C01	PLATE, front footrest	2	
10	43214-17C01	WASHER, front footrest	2	
11	43541-40C00	CUSHION, footrest	2	
12	43550-40C11	RUBBER, footrest	2	
13	02112-35168	SCREW, outer	2	
14	02112-75208	SCREW, inner	2	
15	09448-19020	SPRING	2	
16	09180-08149	SPACER, front footrest	2	
17	08310-22127	NUT, front footrest	2	
18	04111-25158	COTTER PIN	2	
19	09200-08057	PIN	2	
20	09160-08043	WASHER	2	
21	43586-40C01	GUARD, front footrest RH	1	
22	43600-41C00	FOOTREST ASSY, pillion RH	1	
23	43700-41C00	FOOTREST ASSY, pillion LH	1	
24-1	43610-41C00	.BAR, RH	1	
24-2	43620-41C00	.BAR, LH	1	
25	43550-40C11	.RUBBER	2	
26	02112-35168	.SCREW, outer	2	
27	02112-75208	.SCREW, inner	2	
28	43642-40C00	.BOLT	2	
29	09160-10031	.PLATE	2	
30	09440-05003	.SPRING	2	
31	06111-07004	.BALL	2	
32	08332-11068	.E RING	2	
33	01517-08205	BOLT	1	
34	01517-08254	BOLT	2	
35	01517-08304	BOLT	3	

GSX-R1100N E28

GSX-R1100N E28

AIR CLEANER...C-5	CLUTCH MASTER CYL...G-12	CYL HEAD COVER...B-2	FR FENDER...G-5	HEADLAMP...E-8	RR FENDER...H-4	STARTER CLUTCH...B-11
ALTERNATOR...E-3	COSLING BODY...H-8	ELECTRICAL...E-6	FR MASTER CYL...G-11	MUFFLER...C-6	RR MASTER CYL...H-7	STARTING MOTOR...E-2
BATTERY...E-5	COWLING FIT SET...H-12	FOOTREST...F-4	FR WHEEL...G-6	OIL COOLER...C-7	RR SWINGING ARM...H-2	STEERING DAMPER...G-4
CAM CHAIN...B-14	CRANKCASE...B-5	FRAME...F-2	FUEL COCK...F-7	OIL PAN...B-8	RR WHEEL...H-5	STEERING STEM...G-3
CAM SHAFT...B-12	CRANKCASE COVER...B-7	FRAME COVER...F-10	FUEL TANK...F-5	OIL PUMP...B-9	SEAT...F-8	TAIL LAMP...E-10
CARBURETOR...C-2	CRANKSHAFT...B-10	FR BRAKE HOSE...G-10	GEAR SHIFTING...D-5	OPTIONAL...H-14	SIGNAL GENERATOR...E-4	TRANSMISSION...D-3
CARBURETOR FIT...C-4	CYLINDER...B-4	FR CALIPERS...G-9	HANDLE SWITCH...G-8	REAR CALIPER...H-6	SPEEDOMETER...E-7	TURN SIGNAL LAMP...E-9
CLUTCH...D-2	CYLINDER HEAD...B-3	FR DAMPER...G-2	HANDLEBAR...G-7	RR CUSHION LEVER...H-3	STAND...F-3	WIRING HARNESS...E-11

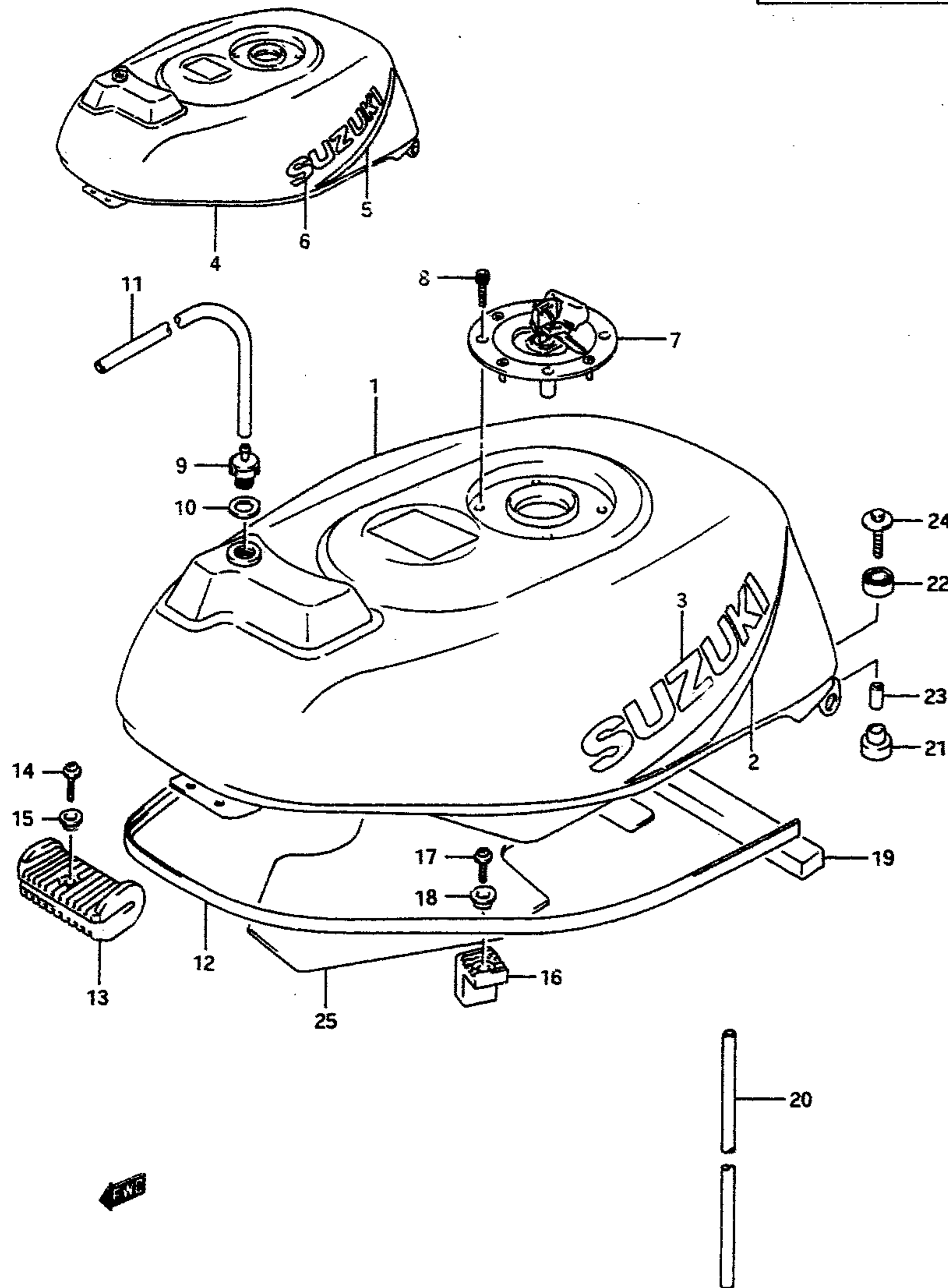


FIG. 33

F - 5

38

FIG. 33 ( F- 5) FUEL TANK (model M)



REF.NO.	PART NO.	DESCRIPTION	Q'TY	REMARKS
1	44100-41C50-3SL	TANK ASSY, fuel	1	
2	68110-41C00-ONE	.TAPE, fuel tank	1	for 3SL
3	68111-12C00-ONE	.EMBLEM (Blue)	2	for 3SL
4	44100-41C60-3EE	TANK ASSY, fuel	1	
5	68115-41C01-28V	.TAPE, fuel tank	1	for 3EE
6	68111-12C00-0FP	.EMBLEM (Silver)	2	for 3EE
7	44201-01851	CAP ASSY, fuel tank	1	
8	09106-05017	BOLT	4	
9	44240-06810	PLUG, breather	1	
10	09168-12012	GASKET	1	
11	09352-50823-600	HOSE, breather (L:600-370)	1	
12	68241-27A00	MOLDING, fuel tank	1	
13	44511-41C00	CUSHION, front	1	
14	02142-05104	SCREW	1	
15	09169-05012	WASHER	1	
16	44545-41C00	CUSHION, side	2	
17	02142-06207	SCREW	2	
18	09169-06051	WASHER	2	
19	44151-17C00	CUSHION, air seal	1	
20	09352-50823-00A	HOSE, water drain (L:1000-730)	1	
21	09320-10038	CUSHION, lower	2	
22	09320-14017	CUSHION, upper	2	
23	09180-06072	SPACER	2	
24	09116-06097	BOLT	2	
25-1	44191-41C00	HEAT SHIELD, fuel tank LH	1	
25-2	44192-41C00	HEAT SHIELD, fuel tank RH	1	

Refer to FIG.33A(F-6) for model N

GSX-R1100N E28

GSX-R1100N E28

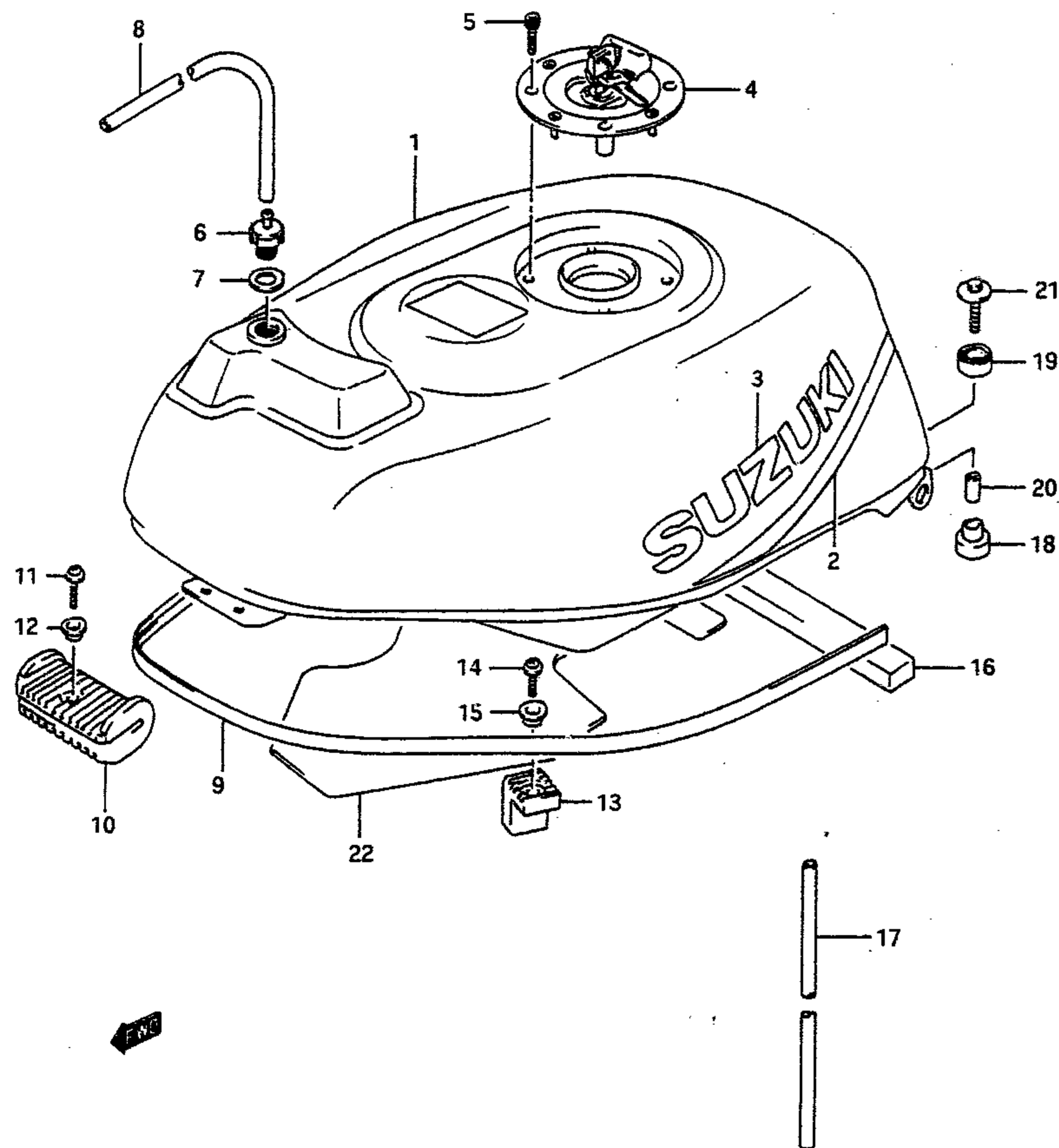
AIR CLEANER...C-5	CLUTCH MASTER CYL...G-12	CYL HEAD COVER...B-2	FR FENDER...G-5	HEADLAMP...E-8	RR FENDER...H-4	STARTER CLUTCH...B-11
ALTERNATOR...E-3	COSLING BODY...H-8	ELECTRICAL...E-6	FR MASTER CYL...G-11	MUFFLER...C-6	RR MASTER CYL...H-7	STARTING MOTOR...E-2
BATTERY...E-5	COWLING FIT SET...H-12	FOOTREST...F-4	FR WHEEL...G-6	OIL COOLER...C-7	RR SWINGING ARM...H-2	STEERING DAMPER...G-4
CAM CHAIN...B-14	CRANKCASE...B-5	FRAME...F-2	FUEL COCK...F-7	OIL PAN...B-8	RR WHEEL...H-5	STEERING STEM...G-3
CAM SHAFT...B-12	CRANKCASE COVER...B-7	FRAME COVER...F-10	FUEL TANK...F-5	OIL PUMP...B-9	SEAT...F-8	TAIL LAMP...E-10
CARBURETOR...C-2	CRANKSHAFT...B-10	FR BRAKE HOSE...G-10	GEAR SHIFTING...D-5	OPTIONAL...H-14	SIGNAL GENERATOR...E-4	TRANSMISSION...D-3
CARBURETOR FIT...C-4	CYLINDER...B-4	FR CALIPERS...G-9	HANDLE SWITCH...G-8	REAR CALIPER...H-6	SPEEDOMETER...E-7	TURN SIGNAL LAMP...E-9
CLUTCH...D-2	CYLINDER HEAD...B-3	FR DAMPER...G-2	HANDLEBAR...G-7	RR CUSHION LEVER...H-3	STAND...F-3	WIRING HARNESS...E-11

FIG.33A

F - 6

39

FIG.33A( F- 6) FUEL TANK (model N)



REF.NO.	PART NO.	DESCRIPTION	Q'TY	REMARKS
1-1	44100-42C00-L99	TANK ASSY, fuel	1	
1-2	44100-42C00-M01	TANK ASSY, fuel	1	
1-3	44100-42C00-3WC	TANK ASSY, fuel	1	
2-1	68115-41C10-M07	.TAPE, fuel tank	1	for L99
2-2	68115-41C10-M08	.TAPE, fuel tank	1	for M01
2-3	68115-41C10-M09	.TAPE, fuel tank	1	for 3WC
3-1	68111-12C00-OFP	.EMBLEM (Silver)	2	for L99,M01
3-2	68111-12C00-33J	.EMBLEM (Black)	2	for 3WC
4	44201-01851	CAP ASSY, fuel tank	1	
5	09106-05017	BOLT	4	
6	44240-06B10	PLUG, breather	1	
7	09168-12012	GASKET	1	
8	09352-50823-600	HOSE, breather (L:600→370)	1	
9	68241-27A00	MOLDING, fuel tank	1	
10	44511-41C00	CUSHION, front	1	
11	02142-05104	SCREW	1	
12	09169-05012	WASHER	1	
13	44545-41C00	CUSHION, side	2	
14	02142-06207	SCREW	2	
15	09169-06051	WASHER	2	
16	44151-17C00	CUSHION, air seal	1	
17	09352-50823-00A	HOSE, water drain (L:1000→730)	1	
18	09320-10038	CUSHION, lower	2	
19	09320-14017	CUSHION, upper	2	
20	09180-06072	SPACER	2	
21	09116-06097	BOLT	2	
22-1	44191-41C00	HEAT SHIELD, fuel tank LH	1	
22-2	44192-41C00	HEAT SHIELD, fuel tank RH	1	

GSX-R1100N E28

GSX-R1100N E28

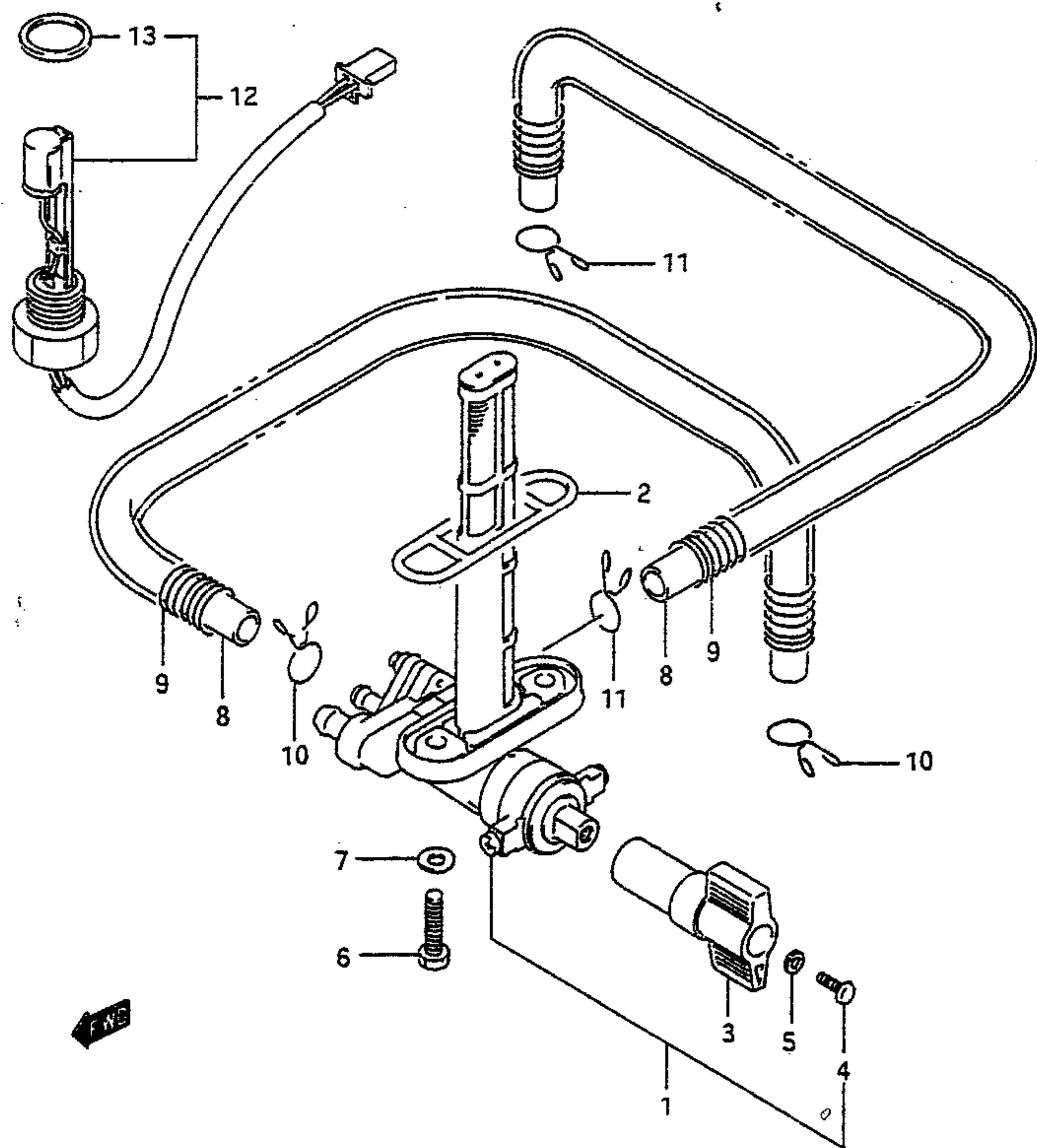
AIR CLEANER.....C-5	CLUTCH MASTER CYL.....G-12	CYL HEAD COVER.....B-2	FR FENDER.....G-5	HEADLAMP.....E-8	RR FENDER.....H-4	STARTER CLUTCH.....B-11
ALTERNATOR.....E-3	COSLING BODY.....H-8	ELECTRICAL.....E-6	FR MASTER CYL.....G-11	MUFFLER.....C-6	RR MASTER CYL.....H-7	STARTING MOTOR.....E-2
BATTERY.....E-5	COWLING FIT SET.....H-12	FOOTREST.....F-4	FR WHEEL.....G-5	OIL COOLER.....C-7	RR SWINGING ARM.....H-2	STEERING DAMPER.....G-4
CAM CHAIN.....B-14	CRANKCASE.....B-5	FRAME.....F-2	FUEL COCK.....F-7	OIL PAN.....B-8	RR WHEEL.....H-5	STEERING STEM.....G-3
CAM SHAFT.....B-12	CRANKCASE COVER.....B-7	FRAME COVER.....F-10	FUEL TANK.....F-5	OIL PUMP.....B-9	SEAT.....F-8	TAIL LAMP.....E-10
CARBURETOR.....C-2	CRANKSHAFT.....B-10	FR BRAKE HOSE.....G-10	GEAR SHIFTING.....D-5	OPTIONAL.....H-14	SIGNAL GENERATOR.....E-4	TRANSMISSION.....D-3
CARBURETOR FIT.....C-4	CYLINDER.....B-4	FR CALIPERS.....G-9	HANDLE SWITCH.....G-8	REAR CALIPER.....H-6	SPEEDOMETER.....E-7	TURNSIGNAL LAMP.....E-9
CLUTCH.....D-2	CYLINDER HEAD.....B-3	FR DAMPER.....G-2	HANDLEBAR.....G-7	RR CUSHION LEVER.....H-3	STAND.....F-3	WIRING HARNESS.....E-11

FIG. 34

F - 7

40

FIG. 34 ( F- 7) FUEL COCK



REF.NO.	PART NO.	DESCRIPTION	Q'TY	REMARKS
1-1	44300-41C00	COCK ASSY, fuel	1	model M
1-2	44300-41C01	COCK ASSY, fuel	1	model N
2	44305-17C00	.O RING	1	
3	44306-17C00	.LEVER	1	
4	02112-04126	.SCREW, lever	1	
5	08321-21046	.LOCK WASHER	1	
6	09128-06006	BOLT	2	
7	09168-06026	GASKET	2	
8	09352-70103-300	HOSE, fuel (L:300*270)	2	
9	09440-13047	SPRING	2	
10	09401-10403	CLIP	2	
11	09401-10201	CLIP	2	
12	34810-40C00	GAUGE ASSY, fuel level	1	
13	34825-40C00	.GASKET	1	

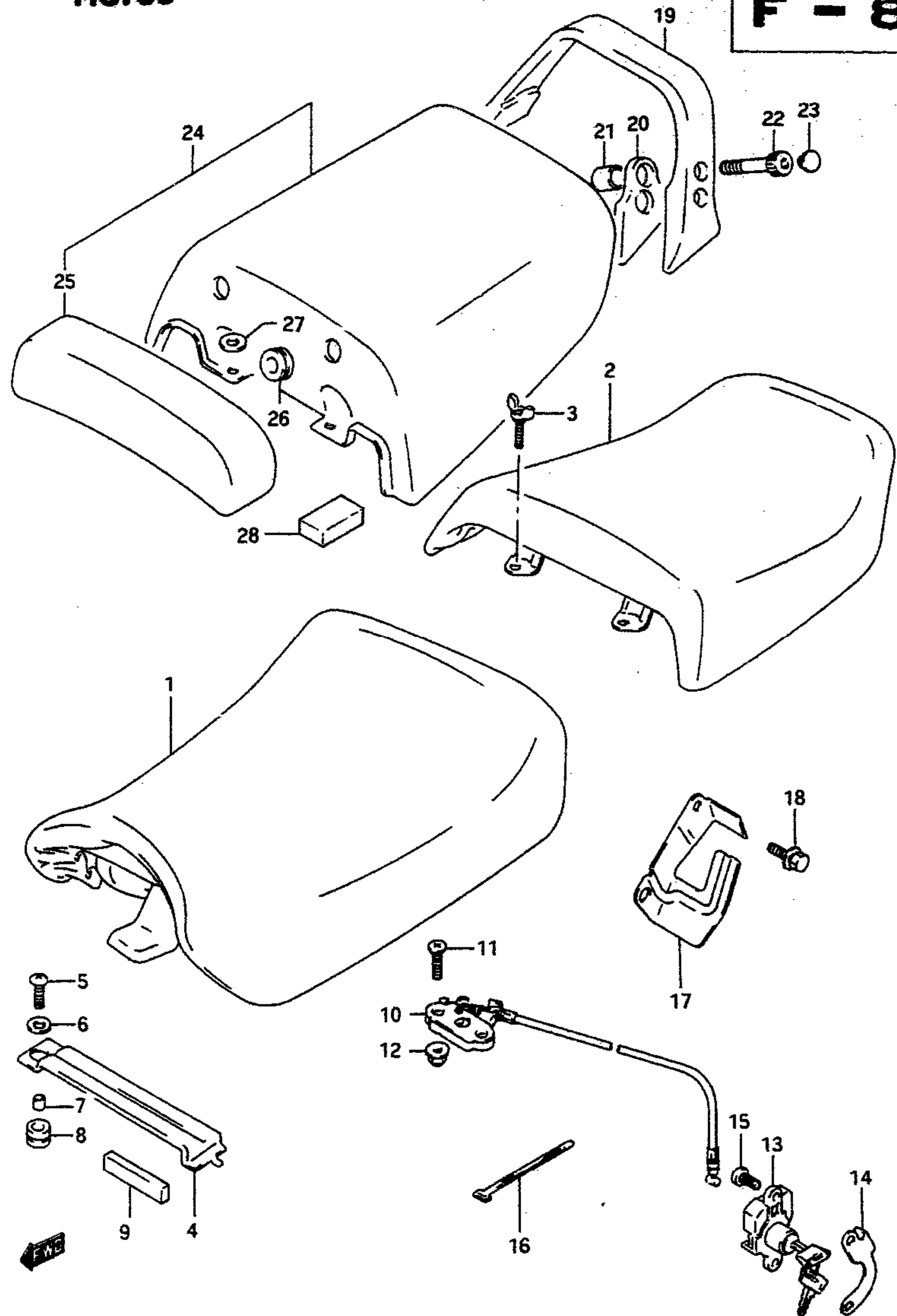
GSX-R1100N E28

GSX-R1100N E28

AIR CLEANER.....C-5	CLUTCH MASTER CYL.G-12	CYL HEAD COVER.B-2	FR FENDER.....G-5	HEADLAMP.....E-8	RR FENDER.....H-4	STARTER CLUTCH..B-11
ALTERNATOR.....E-3	COSLING BODY.....H-8	ELECTRICAL.....E-6	FR MASTER CYL.G-11	MUFFLER.....C-6	RR MASTER CYL....H-7	STARTING MOTOR..E-2
BATTERY.....E-5	COWLING FIT SET...H-12	FOOTREST.....F-4	FR WHEEL.....G-6	OIL COOLER.....C-7	RR SWINGING ARM..H-2	STEERING DAMPER.G-4
CAM CHAIN.....B-14	CRANKCASE.....B-5	FRAME.....F-2	FUEL COCK.....F-7	OIL PAN.....B-8	RR WHEEL.....H-5	STEERING STEM...G-3
CAM SHAFT.....B-12	CRANKCASE COVER..B-7	FRAME COVER...F-10	FUEL TANK.....F-5	OIL PUMP.....B-9	SEAT.....F-8	TAIL LAMP.....E-10
CARBURETOR.....C-2	CRANKSHAFT.....B-10	FR BRAKE HOSE..G-10	GEAR SHIFTING.D-5	OPTIONAL.....H-14	SIGNAL GENERATOR.E-4	TRANSMISSION....D-3
CARBURETOR FIT.C-4	CYLINDER.....B-4	FR CALIPERS...G-9	HANDLE SWITCH.G-8	REAR CALIPER....H-6	SPEEDOMETER.....E-7	URNSIGNAL LAMP.E-9
CLUTCH.....D-2	CYLINDER HEAD....B-3	FR DAMPER.....G-2	HANDLEBAR.....G-7	RR CUSHION LEVER.H-3	STAND.....F-3	WIRING HARNESS..E-11

FIG. 35

F - 8



41

FIG.35 ( F- 8) SEAT (model M)

REF.NO.	PART NO.	DESCRIPTION	Q'TY	REMARKS
1	45100-41C00-58R	SEAT ASSY (Black)	1	
2	45300-41C00-58R	SEAT ASSY, pillion (Black)	1	
3	09139-06056	BOLT, pillion seat	2	
4	45271-40C00	PLATE, seat support rear	1	
5	02142-06205	SCREW	1	
6	09160-06069	WASHER	1	
7	09180-06044	SPACER	1	
8	09320-08048	CUSHION	1	
9	45272-17C02	CUSHION, seat support plate	2	
10	45220-17C00	BRACKET, seat support rear	1	
11	02122-06255	SCREW	2	
12	08319-31067	NUT	2	
13	45700-19840	LOCK SET, seat	1	
14	45123-17C00	PLATE, seat lock	1	
15	09139-06075	BOLT	2	
16	09407-09402	CLAMP, seat lock cable	1	
17	45290-41C01	PLATE, seat lock cable	1	
18	01117-06165	SCREW	1	
19-1	46211-41C00-0NG	HANDLE, pillion rider	1	
19-2	46211-41C00-019	HANDLE, pillion rider	1	
20	46238-41C00	CUSHION	2	
21	09180-08163	SPACER	4	
22	07110-08655	BOLT	4	
23	09250-06004	CAP	4	
24-1	45500-41810-0NG	BOX SET, seat tail	1	
24-2	45500-41810-28V	BOX SET, seat tail	1	
25	46220-41C00-58R	.BACKREST, seat	1	
26	09320-12031	.CUSHION	2	
27	09160-06006	WASHER, front	2	
28	63411-35800	CUSHION	6	

Refer to FIG.35A (F-9) for model N

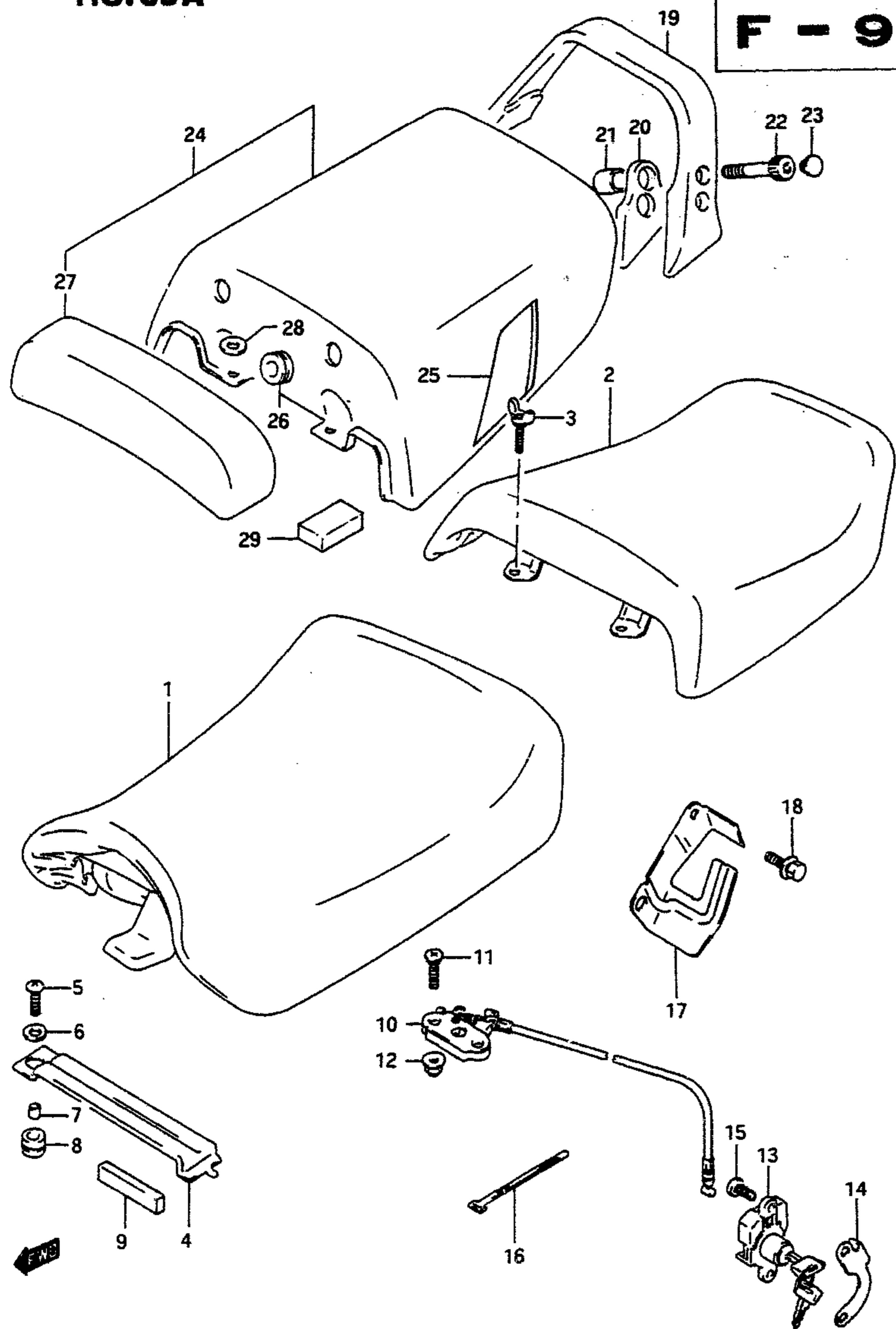
GSX-R1100N E28

GSX-R1100N E28

AIR CLEANER.....C-5	CLUTCH MASTER CYL..G-12	CYL HEAD COVER..B-2	FR FENDER.....G-5	HEADLAMP.....E-8	RR FENDER.....H-4	STARTER CLUTCH..B-11
ALTERNATOR.....E-3	COSLING BODY.....H-8	ELECTRICAL.....E-6	FR MASTER CYL..G-11	MUFFLER.....C-6	RR MASTER CYL...H-7	STARTING MOTOR..E-2
BATTERY.....E-5	COWLING FIT SET...H-12	FOOTREST.....F-4	FR WHEEL.....G-6	OIL COOLER.....C-7	RR SWINGING ARM..H-2	STEERING DAMPER..G-4
CAM CHAIN.....B-14	CRANKCASE.....B-5	FRAME.....F-2	FUEL COCK.....F-7	OIL PAN.....B-8	RR WHEEL.....H-5	STEERING STEM...G-3
CAM SHAFT.....B-12	CRANKCASE COVER..B-7	FRAME COVER...F-10	FUEL TANK.....F-5	OIL PUMP.....B-9	SEAT.....F-8	TAIL LAMP.....E-10
CARBURETOR.....C-2	CRANKSHAFT.....B-10	FR BRAKE HOSE..G-10	GEAR SHIFTING..D-5	OPTIONAL.....H-14	SIGNAL GENERATOR..E-4	TRANSMISSION...D-3
CARBURETOR FIT..C-4	CYLINDER.....B-4	FR CALIPERS...G-9	HANDLE SWITCH..G-8	REAR CALIPER...H-6	SPEEDOMETER.....E-7	TURNSIGNAL LAMP..E-9
CLUTCH.....D-2	CYLINDER HEAD...B-3	FR DAMPER.....G-2	HANDLEBAR.....G-7	RR CUSHION LEVER..H-3	STAND.....F-3	WIRING HARNESS..E-11

FIG. 35A

F - 9



GSX-R1100N E28

42

FIG. 35A( F- 9) SEAT (model N)

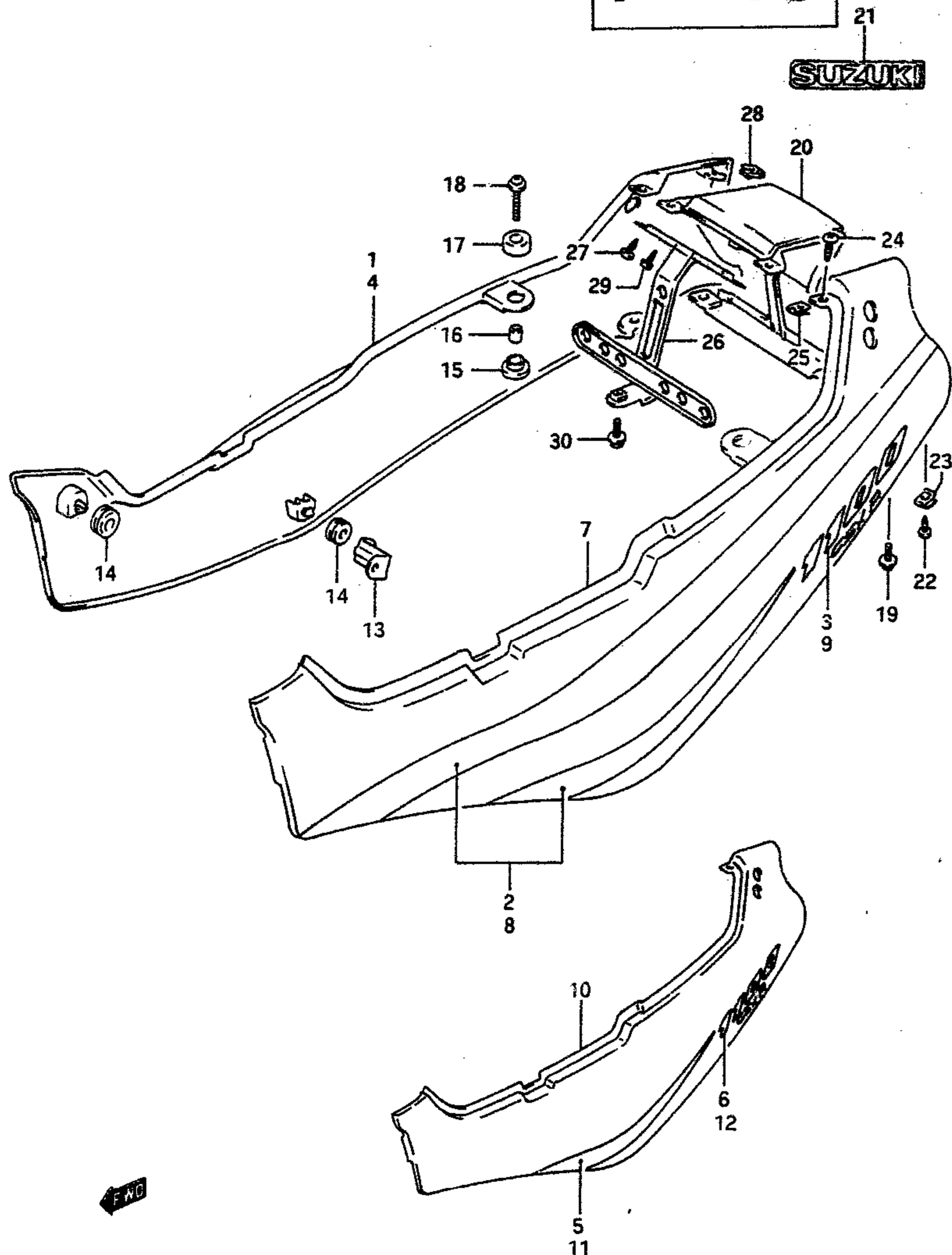
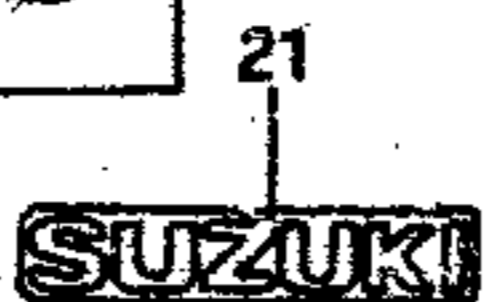
REF.NO.	PART NO.	DESCRIPTION	Q'TY	REMARKS
1	45100-41C00-58R	SEAT ASSY (Black)	1	
2	45300-41C00-58R	SEAT ASSY, pillion (Black)	1	
3	09139-06056	BOLT, pillion seat	2	
4	45271-40C00	PLATE, seat support rear	1	
5	02142-06205	SCREW	1	
6	09160-06069	WASHER	1	
7	09180-06044	SPACER	1	
8	09320-08048	CUSHION	1	
9	45272-17C02	CUSHION, seat support plate	2	
10	45220-17C00	BRACKET, seat support rear	1	
11	02122-06255	SCREW	2	
12	08319-31067	NUT	2	
13	45700-19840	LOCK SET, seat	1	
14	45123-17C00	PLATE, seat lock	1	
15	09139-06075	BOLT	2	
16	09407-09402	CLAMP, seat lock cable	1	
17	45290-41C01	PLATE, seat lock cable	1	
18	01117-06165	SCREW	1	
19-1	46211-41C00-0JW	HANDLE, pillion rider (White)	1	for 0JW
19-2	46211-41C00-019	HANDLE, pillion rider (Black)	1	for 33J,36X
20	46238-41C00	CUSHION	2	
21	09180-08163	SPACER	4	
22	07110-08655	BOLT	4	
23	09250-06004	CAP	4	
24-1	45550-41C10-0JW	BOX, seat tail (White)	1	
24-2	45550-41C10-33J	BOX, seat tail (Black)	1	
24-3	45550-41C10-36X	BOX, seat tail (Black)	1	
25-1	68160-41C00-M13	.TAPE SET, seat tail	1	for 0JW
25-2	68160-41C00-M14	.TAPE SET, seat tail	1	for 33J
25-3	68160-41C00-M15	.TAPE SET, seat tail	1	for 36X
26	09320-12031	.CUSHION	2	
27	46220-41C00-58R	BACKREST, seat	1	
28	09160-06006	WASHER, front	2	
29	63411-35800	CUSHION	6	

GSX-R1100N E28

AIR CLEANER.....C-5	CLUTCH MASTER CYL.....G-12	CYL HEAD COVER.....B-2	FR FENDER.....G-5	HEADLAMP.....E-8	RR FENDER.....H-4	STARTER CLUTCH.....B-11
ALTERNATOR.....E-3	COSLING BODY.....H-8	ELECTRICAL.....E-6	FR MASTER CYL.....G-11	MUFFLER.....C-6	RR MASTER CYL.....H-7	STARTING MOTOR.....E-2
BATTERY.....E-5	COWLING FIT SET.....H-12	FOOTREST.....F-4	FR WHEEL.....G-6	OIL COOLER.....C-7	RR SWINGING ARM.....H-2	STEERING DAMPER.....G-4
CAM CHAIN.....B-14	CRANKCASE.....B-5	FRAME.....F-2	FUEL COCK.....F-7	OIL PAN.....B-8	RR WHEEL.....H-5	STEERING STEM.....G-3
CAM SHAFT.....B-12	CRANKCASE COVER.....B-7	FRAME COVER.....F-10	FUEL TANK.....F-5	OIL PUMP.....B-9	SEAT.....F-8	TAIL LAMP.....E-10
CARBURETOR.....C-2	CRANKSHAFT.....B-10	FR BRAKE HOSE.....G-10	GEAR SHIFTING.....D-5	OPTIONAL.....H-14	SIGNAL GENERATOR.....E-4	TRANSMISSION.....D-3
CARBURETOR FIT.....C-4	CYLINDER.....B-4	FR CALIPERS.....G-9	HANDLE SWITCH.....G-8	REAR CALIPER.....H-6	SPEEDOMETER.....E-7	TURNSIGNAL LAMP.....E-9
CLUTCH.....D-2	CYLINDER HEAD.....B-3	FR DAMPER.....G-2	HANDLEBAR.....G-7	RR CUSHION LEVER.....H-3	STAND.....F-3	WIRING HARNESS.....E-11

FIG.36

F - 10



43

FIG.36 ( F-10) FRAME COVER (model M)

REF.NO.	PART NO.	DESCRIPTION	Q'TY	REMARKS
1	47110-41C00-3SL	COVER, frame RH	1	
2	68130-41C01-3SR	.TAPE, frame cover RH	1	for 3SL
3	68131-41C00-E95	.EMBLEM, RH	1	for 3SL
4	47110-41C10-3EE	COVER, frame RH	1	
5	68135-41C01-0FP	.TAPE, frame cover RH (Silver)	1	for 3EE
6	68131-41C00-H03	.EMBLEM, RH	1	for 3EE
7	47210-41C00-3SL	COVER, frame LH	1	
8	68140-41C01-3SR	.TAPE, frame cover LH	1	for 3SL
9	68131-41C00-E95	.EMBLEM, LH	1	for 3SL
10	47210-41C10-3EE	COVER, frame LH	1	
11	68145-41C01-0FP	.TAPE, frame cover LH (Silver)	1	for 3EE
12	68131-41C00-H03	.EMBLEM, LH	1	for 3EE
13	43815-41C00	BRACKET, frame cover	2	
14	09320-08013	CUSHION	4	
15	45326-17C00	CUSHION, lower	2	
16	09180-06143	SPACER	2	
17	45149-04A00	CUSHION, upper	2	
18	09136-06083	SCREW	2	
19	09136-06062	SCREW, rear	2	
20-1	47310-41C00-ONG	COVER, frame center (Blue)	1	for 3SL
20-2	47310-41C00-28V	COVER, frame center (Red)	1	for 3EE
21-1	68166-31300-0JW	.EMBLEM (White)	1	for ONG
21-2	68166-31300-13L	.EMBLEM (Silver)	1	for 3EE
22	03141-14125	SCREW	2	
23	09148-04024	NUT	2	
24	03241-15125	SCREW	2	
25	09148-05019	NUT	2	
26	47410-41C00	BRACKET, rear	2	
27	03241-15125	SCREW, bracket	2	
28	09148-05038	NUT	2	
29	03541-04125	SCREW, inner	2	
30	09116-06064	BOLT, rear fender	1	

Refer to FIG.36A(F-11) for model N

GSX-R1100N E28

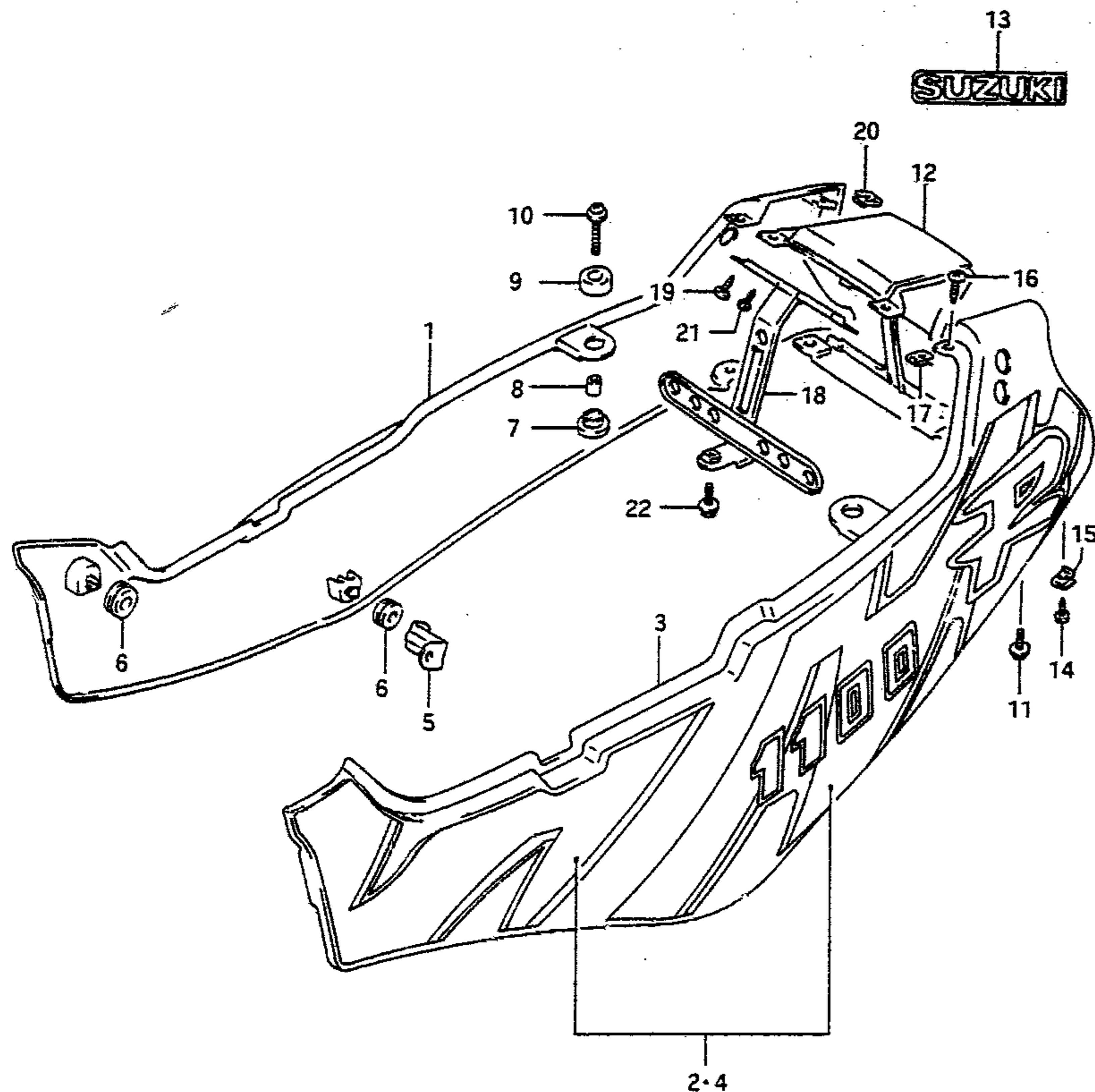
GSX-R1100N E28

AIR CLEANER.....C-5	CLUTCH MASTER CYL.G-12	CYL HEAD COVER.B-2	FR FENDER.....G-5	HEADLAMP.....E-8	RR FENDER.....H-4	STARTER CLUTCH..B-11
ALTERNATOR.....E-3	COSLING BODY.....H-8	ELECTRICAL.....E-6	FR MASTER CYL.G-11	MUFFLER.....C-6	RR MASTER CYL....H-7	STARTING MOTOR..E-2
BATTERY.....E-5	COWLING FIT SET...H-12	FOOTREST.....F-4	FR WHEEL.....G-6	OIL COOLER.....C-7	RR SWINGING ARM..H-2	STEERING DAMPER.G-4
CAM CHAIN.....B-14	CRANKCASE.....B-5	FRAME.....F-2	FUEL COCK.....F-7	OIL PAN.....B-8	RR WHEEL.....H-5	STEERING STEM...G-3
CAM SHAFT.....B-12	CRANKCASE COVER..B-7	FRAME COVER...F-10	FUEL TANK.....F-5	OIL PUMP.....B-9	SEAT.....F-8	TAIL LAMP.....E-10
CARBURETOR.....C-2	CRANKSHAFT.....B-10	FR BRAKE HOSE..G-10	GEAR SHIFTING.D-5	OPTIONAL.....H-14	SIGNAL GENERATOR.E-4	TRANSMISSION....D-3
CARBURETOR FIT.C-4	CYLINDER.....B-4	FR CALIPERS....G-9	HANDLE SWITCH.G-8	REAR CALIPER.....H-6	SPEEDOMETER.....E-7	TURN SIGNAL LAMP.E-9
CLUTCH.....D-2	CYLINDER HEAD...B-3	FR DAMPER.....G-2	HANDLEBAR.....G-7	RR CUSHION LEVER.H-3	STAND.....F-3	WIRING HARNESS..E-11

FIG. 36A

F - 11

FIG. 36A( F-11) FRAME COVER (model N)

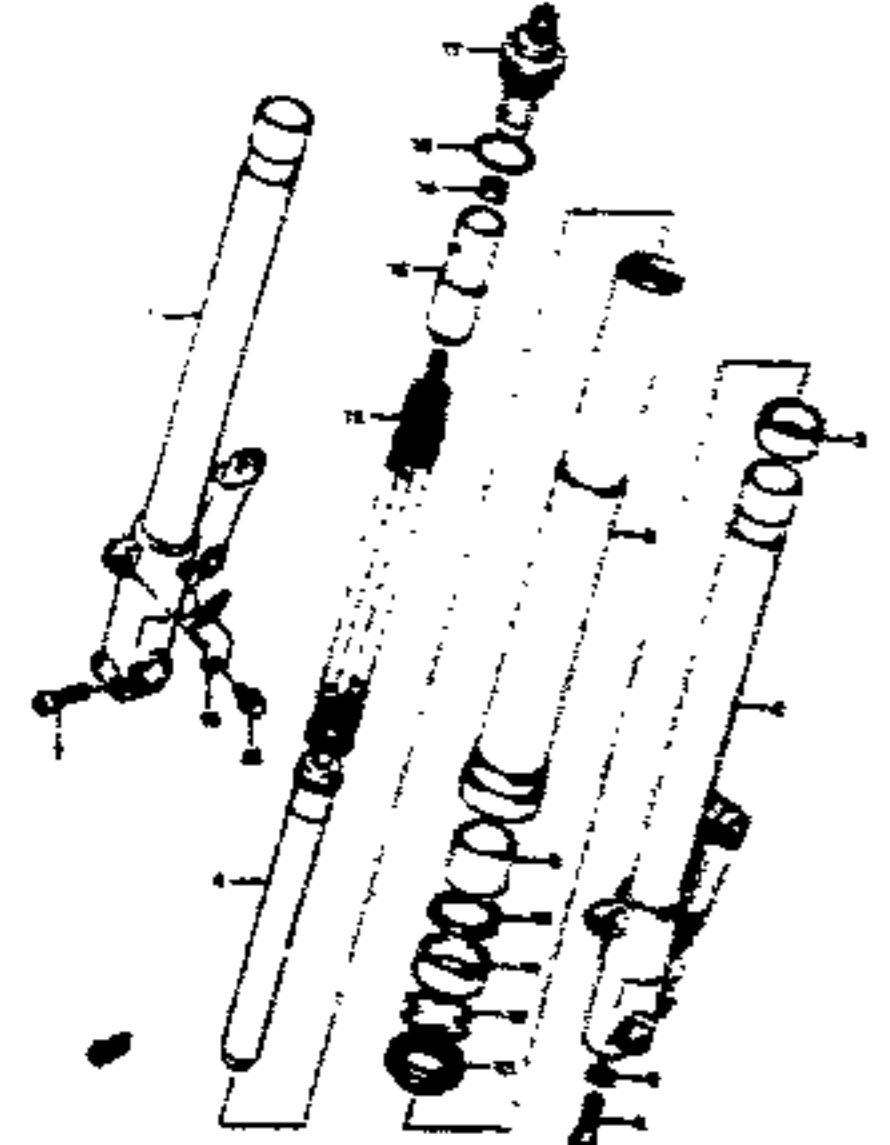
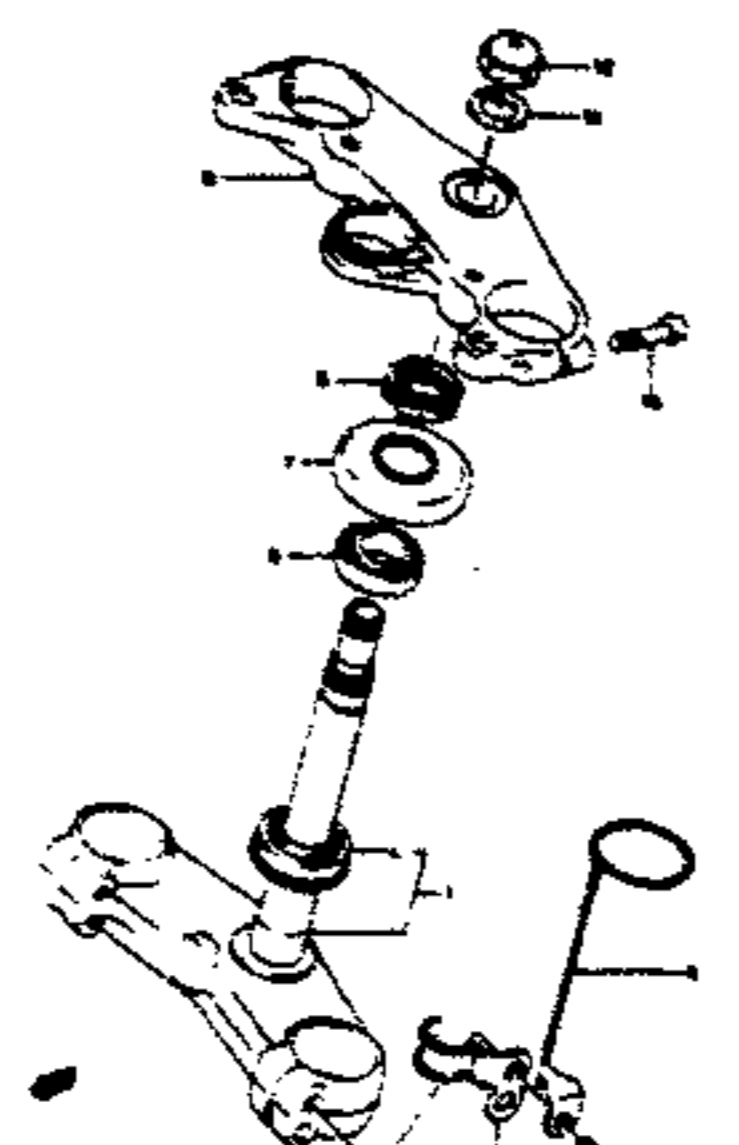
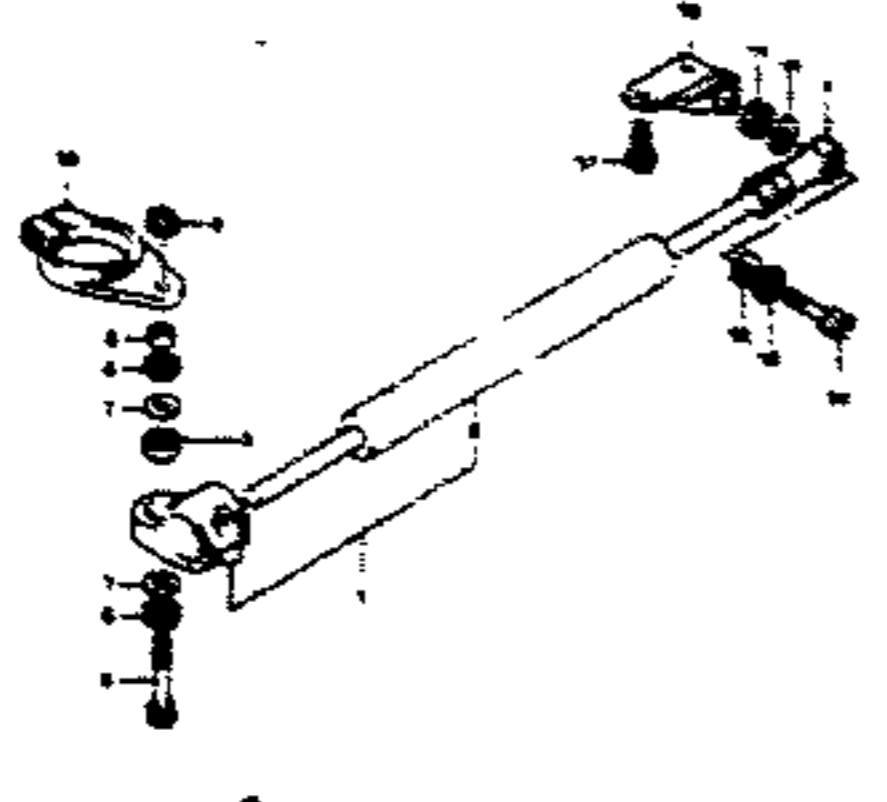
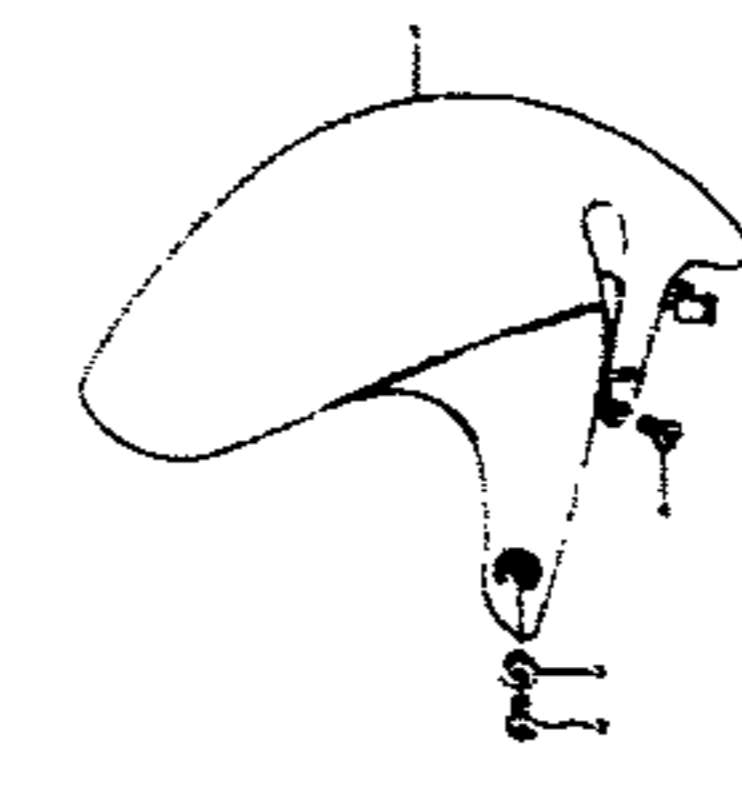
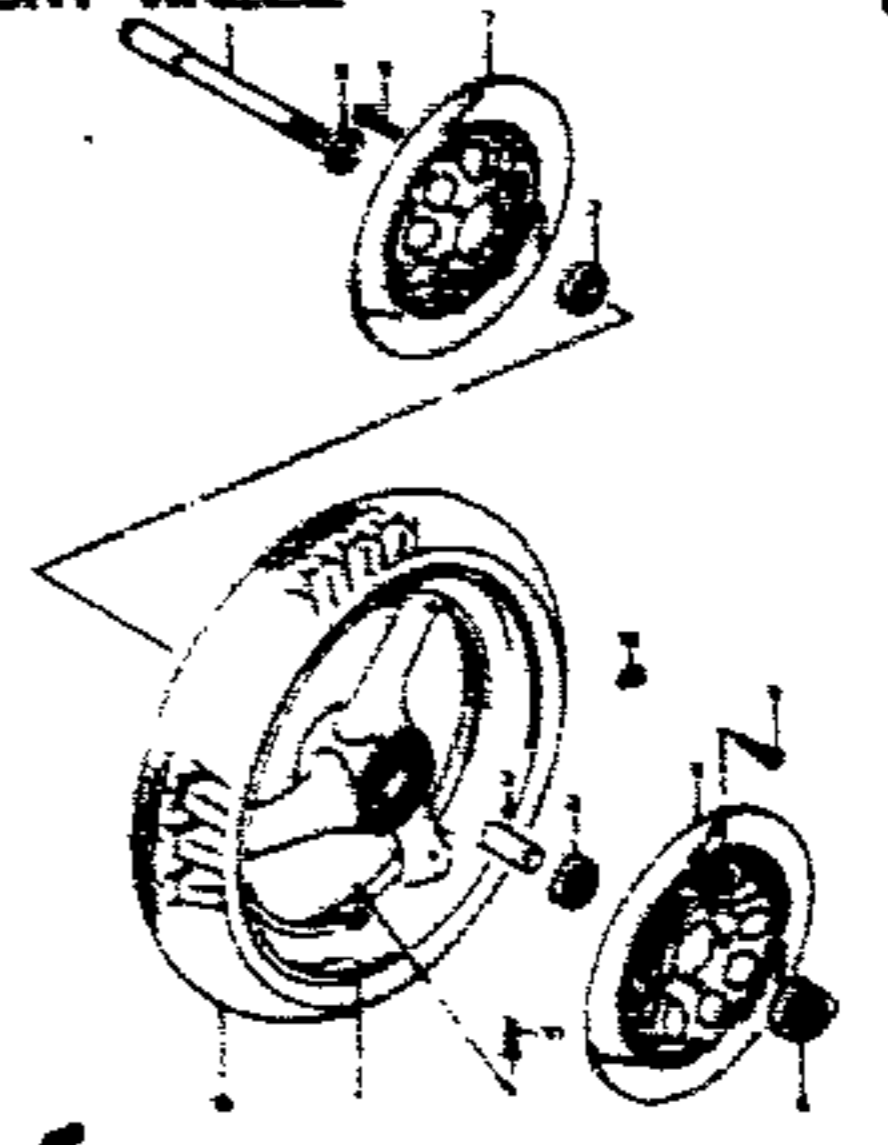
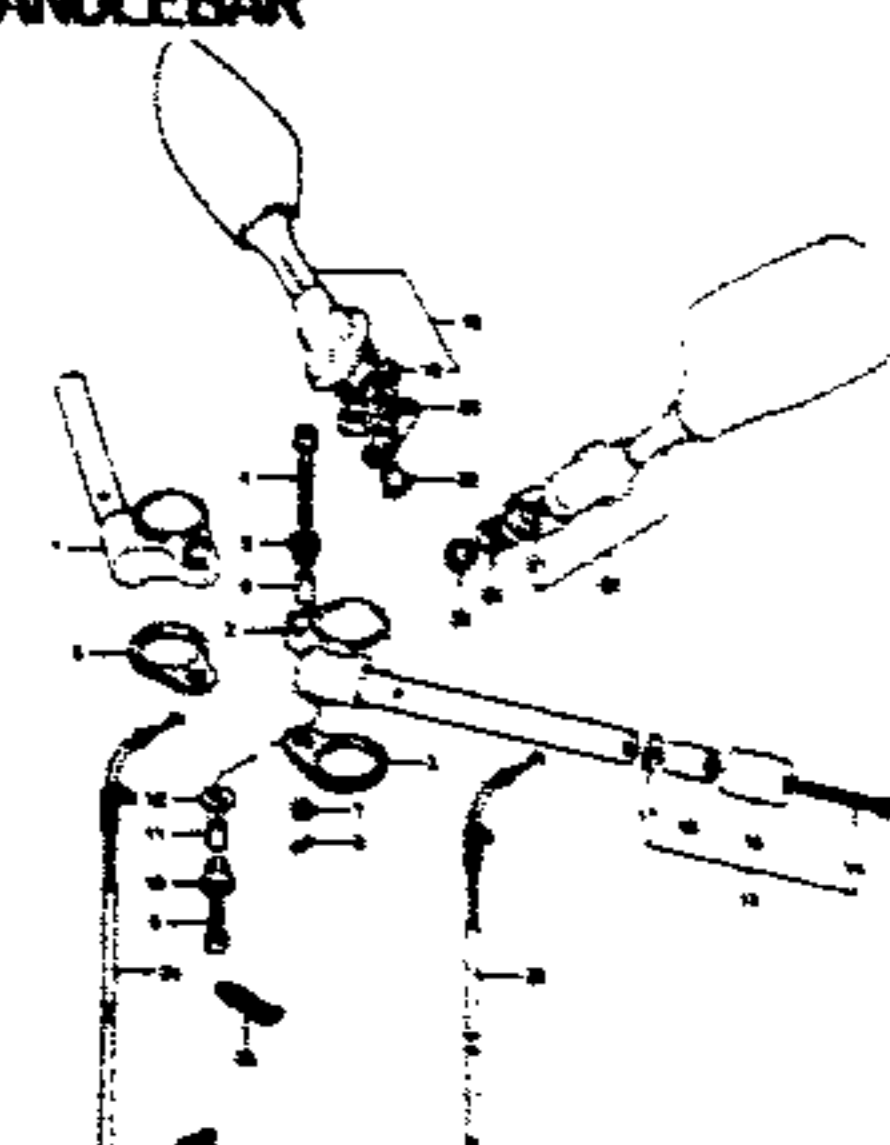
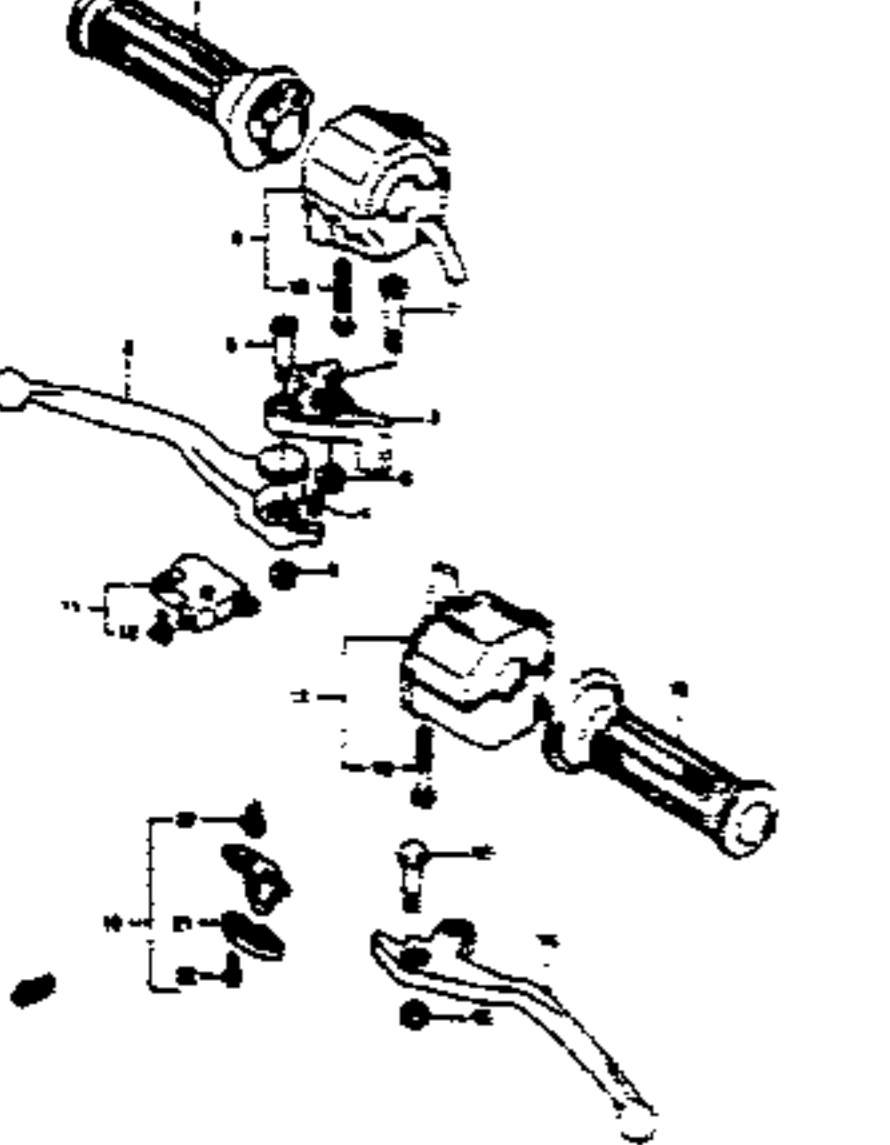
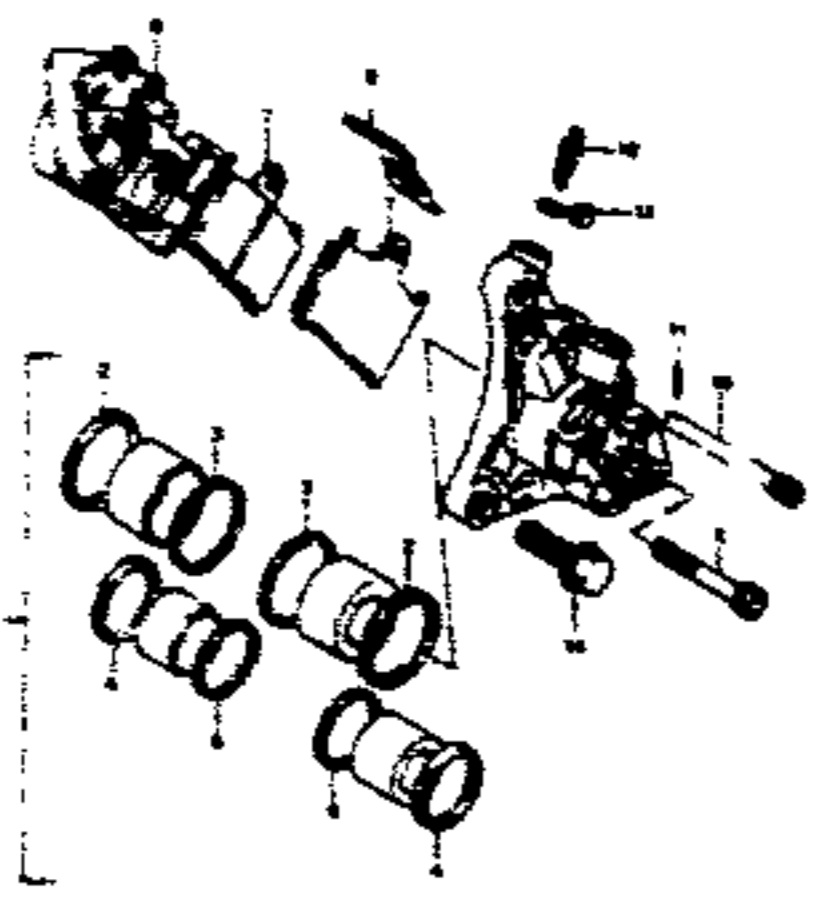
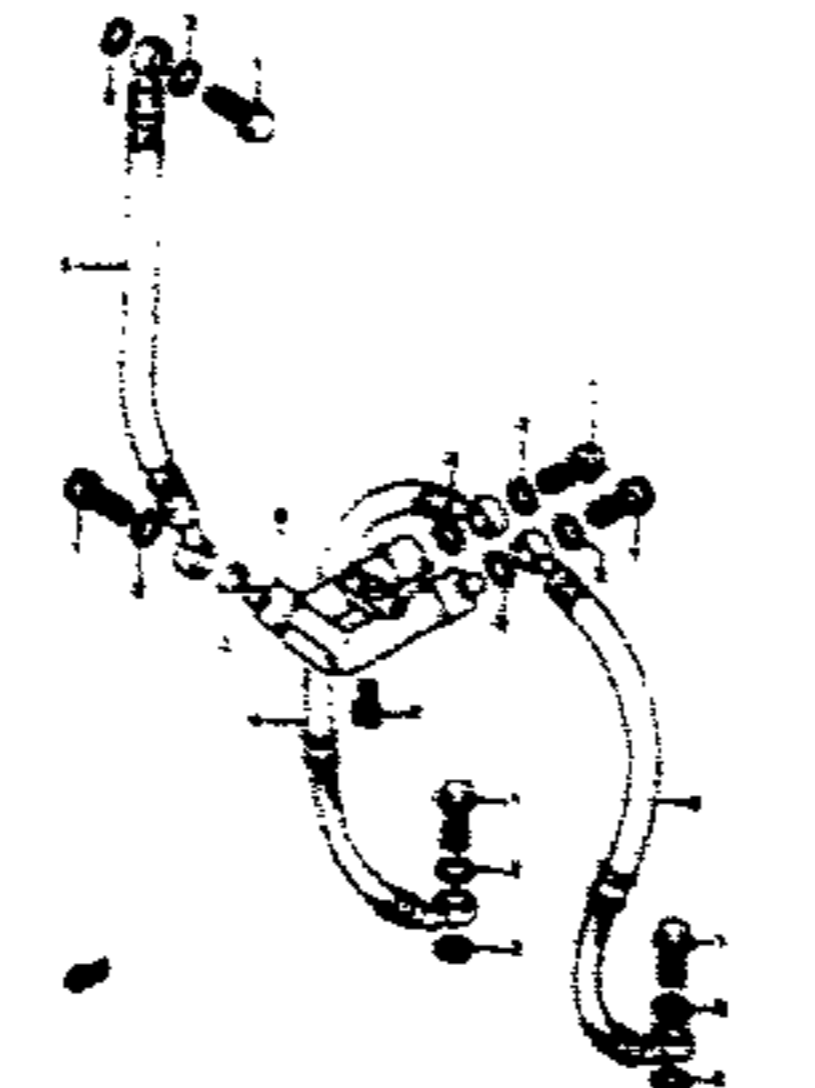
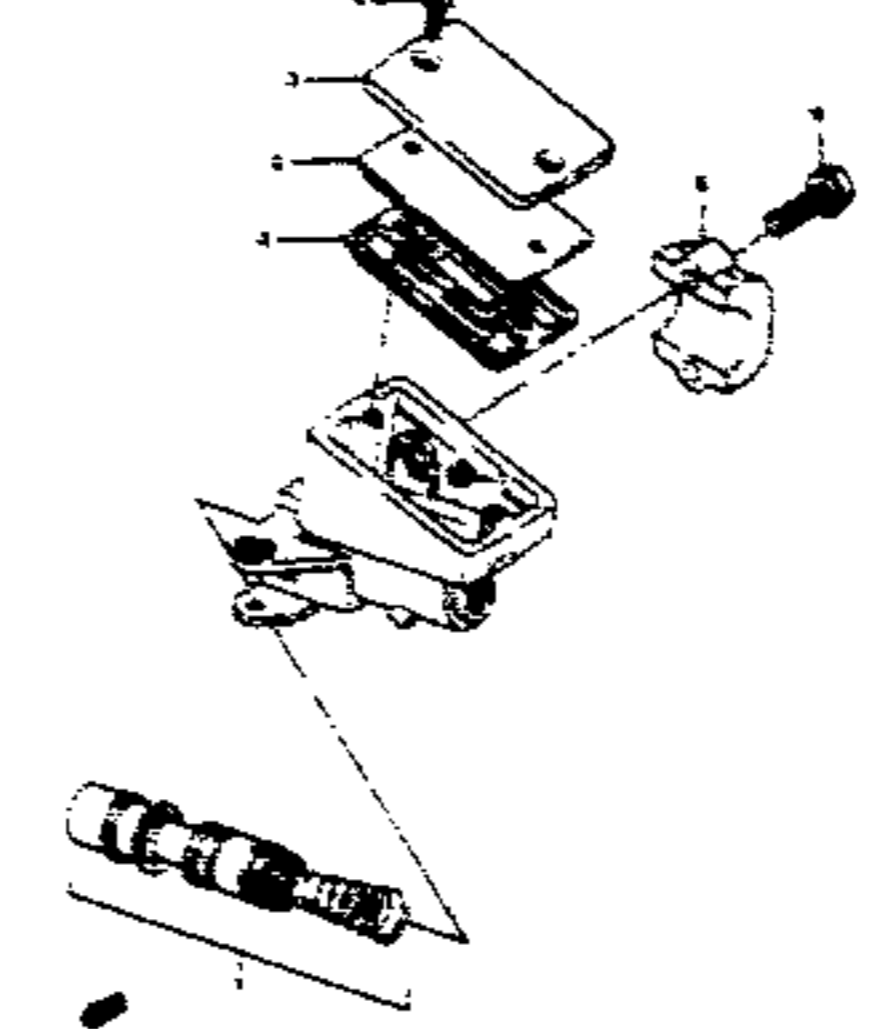
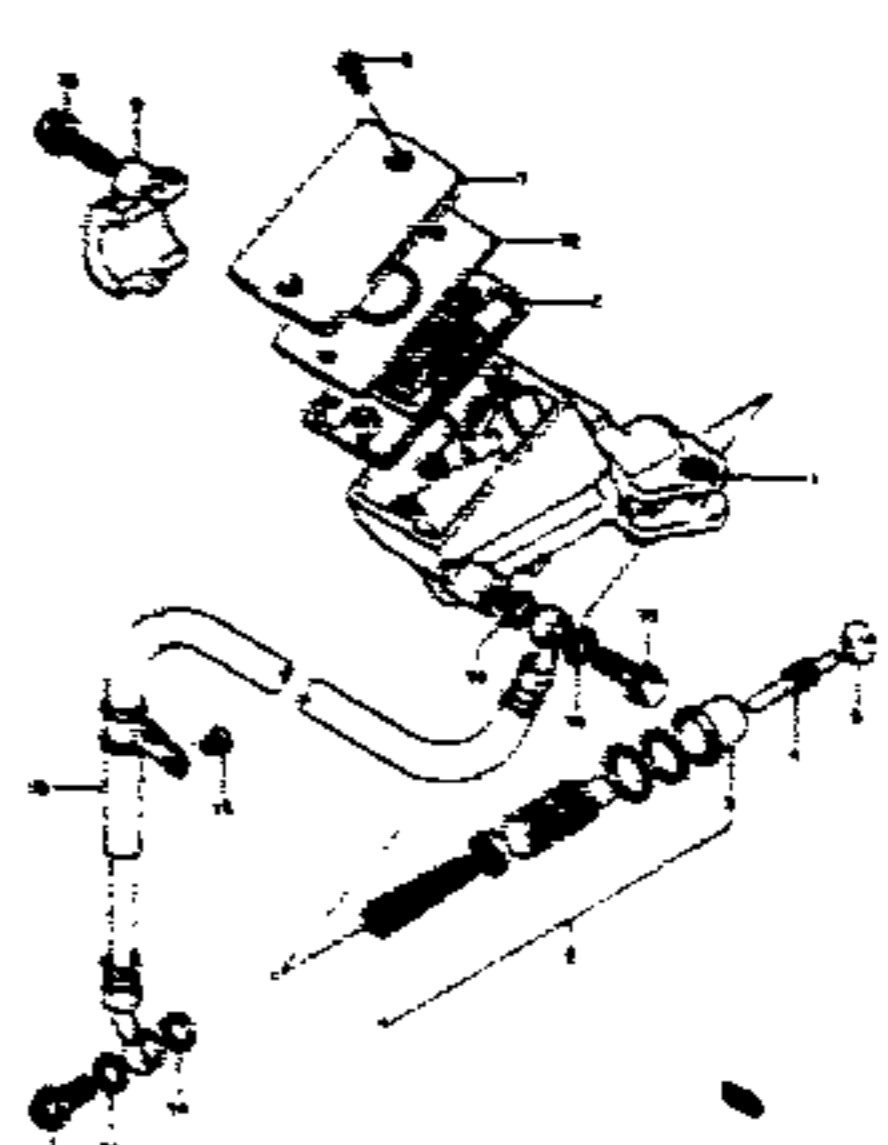


REF.NO.	PART NO.	DESCRIPTION	Q'TY	REMARKS
1-1	47110-41C30-OJW	COVER, frame RH (White)	1	
1-2	47110-41C30-33J	COVER, frame RH (Black)	1	
1-3	47110-41C30-36X	COVER, frame RH (Black)	1	
2-1	66130-41C10-1MF	.TAPE, frame cover RH	1	for OJW
2-2	68130-41C10-1MG	.TAPE, frame cover RH	1	for 33J
2-3	68130-41C10-1MA	.TAPE, frame cover RH	1	for 36X
3-1	47210-41C30-OJW	COVER, frame LH (White)	1	
3-2	47210-41C30-33J	COVER, frame LH (Black)	1	
3-3	47210-41C30-36X	COVER, frame LH (Black)	1	
4-1	68140-41C10-1MF	.TAPE, frame cover LH	1	for OJW
4-2	68140-41C10-1MG	.TAPE, frame cover LH	1	for 33J
4-3	68140-41C10-1MA	.TAPE, frame cover LH	1	for 36X
5	43815-41C00	BRACKET, frame cover	2	
6	09320-08018	CUSHION	4	
7	45326-17C00	CUSHION, lower	2	
8	09180-06143	SPACER	2	
9	45149-04A00	CUSHION, upper	2	
10	09136-06083	SCREW	2	
11	09136-06062	SCREW, rear	2	
12-1	47310-41C20-OYX	COVER, frame center (White)	1	for OJW
12-2	47310-41C20-33J	COVER, frame center (Black)	1	for 33J
12-3	47310-41C20-36X	COVER, frame center (Black)	1	for 36X
13	68166-31300-0FP	.EMBLEM (Silver)	1	
14	03141-14125	SCREW	2	
15	09148-04024	NUT	2	
16	03241-15125	SCREW	2	
17	09148-05019	NUT	2	
18	47410-41C00	BRACKET, rear	2	
19	03241-15125	SCREW, bracket	2	
20	09148-05038	NUT	2	
21	03541-04125	SCREW, inner	2	
22	09116-06064	BOLT, rear fender	1	

GSX-R1100N E28

GSX-R1100N E28

AIR CLEANER.....C-5	CLUTCH MASTER CYL.....G-12	CYL HEAD COVER.....B-2	FR FENDER.....G-5	HEADLAMP.....E-8	RR FENDER.....H-4	STARTER CLUTCH.....B-11
ALTERNATOR.....E-3	COSLING BODY.....H-8	ELECTRICAL.....E-6	FR MASTER CYL.....G-11	MUFFLER.....C-6	RR MASTER CYL.....H-7	STARTING MOTOR.....E-2
BATTERY.....E-5	COWLING FIT SET.....H-12	FOOTREST.....F-4	FR WHEEL.....G-6	OIL COOLER.....C-7	RR SWINGING ARM.....H-2	STEERING DAMPER.....G-4
CAM CHAIN.....B-14	CRANKCASE.....B-5	FRAME.....F-2	FUEL COCK.....F-7	OIL PAN.....B-8	RR WHEEL.....H-5	STEERING STEM.....G-3
CAM SHAFT.....B-12	CRANKCASE COVER.....B-7	FRAME COVER.....F-10	FUEL TANK.....F-5	OIL PUMP.....B-9	SEAT.....F-8	TAIL LAMP.....E-10
CARBURETOR.....C-2	CRANKSHAFT.....B-10	FR BRAKE HOSE.....G-10	GEAR SHIFTING.....D-5	OPTIONAL.....H-14	SIGNAL GENERATOR.....E-4	TRANSMISSION.....D-3
CARBURETOR FIT.....C-4	CYLINDER.....B-4	FR CALIPERS.....G-9	HANDLE SWITCH.....G-8	REAR CALIPER.....H-6	SPEEDOMETER.....E-7	TURN SIGNAL LAMP.....E-9
CLUTCH.....D-2	CYLINDER HEAD.....B-3	FR DAMPER.....G-2	HANDLEBAR.....G-7	RR CUSHION LEVER.....H-3	STAND.....F-3	WIRING HARNESS.....E-11

<p>FRONT DAMPER G-2</p> 	<p>STEERING STEM G-3</p> 	<p>STEERING DAMPER G-4</p> 	<p>FRONT FENDER G-5</p> 	<p>FRONT WHEEL G-6</p> 	<p>HANDLEBAR G-7</p> 
<p>HANDLE SWITCH G-8</p> 	<p>FRONT CALIPERS G-9</p> 	<p>FRONT BRAKE HOSE G-10</p> 	<p>FRONT MASTER CYLINDER G-11</p> 	<p>CLUTCH MASTER CYLINDER G-12</p> 	

AIR CLEANER.....C-5	CLUTCH MASTER CYL..G-12	CYL HEAD COVER..B-2	FR FENDER.....G-5	HEADLAMP.....E-8	RR FENDER.....H-4	STARTER CLUTCH..B-11
ALTERNATOR.....E-3	COSLING BODY.....H-8	ELECTRICAL.....E-6	FR MASTER CYL..G-11	MUFFLER.....C-6	RR MASTER CYL...H-7	STARTING MOTOR..E-2
BATTERY.....E-5	COWLING FIT SET...H-12	FOOTREST.....F-4	FR WHEEL.....G-6	OIL COOLER.....C-7	RR SWINGING ARM..H-2	STEERING DAMPER..G-4
CAM CHAIN.....B-14	CRANKCASE.....B-5	FRAME.....F-2	FUEL COCK.....F-7	OIL PAN.....B-8	RR WHEEL.....H-5	STEERING STEM...G-3
CAM SHAFT.....B-12	CRANKCASE COVER..B-7	FRAME COVER...F-10	FUEL TANK.....F-5	OIL PUMP.....B-9	SEAT.....F-8	TAIL LAMP.....E-10
CARBURETOR.....C-2	CRANKSHAFT.....B-10	FR BRAKE HOSE..G-10	GEAR SHIFTING..D-5	OPTIONAL.....H-14	SIGNAL GENERATOR..E-4	TRANSMISSION....D-3
CARBURETOR FIT..C-4	CYLINDER.....B-4	FR CALIPERS...G-9	HANDLE SWITCH..G-8	REAR CALIPER...H-6	SPEEDOMETER.....E-7	TURNSIGNAL LAMP..E-9
CLUTCH.....D-2	CYLINDER HEAD...B-3	FR DAMPER.....G-2	HANDLEBAR.....G-7	RR CUSHION LEVER..H-3	STAND.....F-3	WIRING HARNESS..E-11



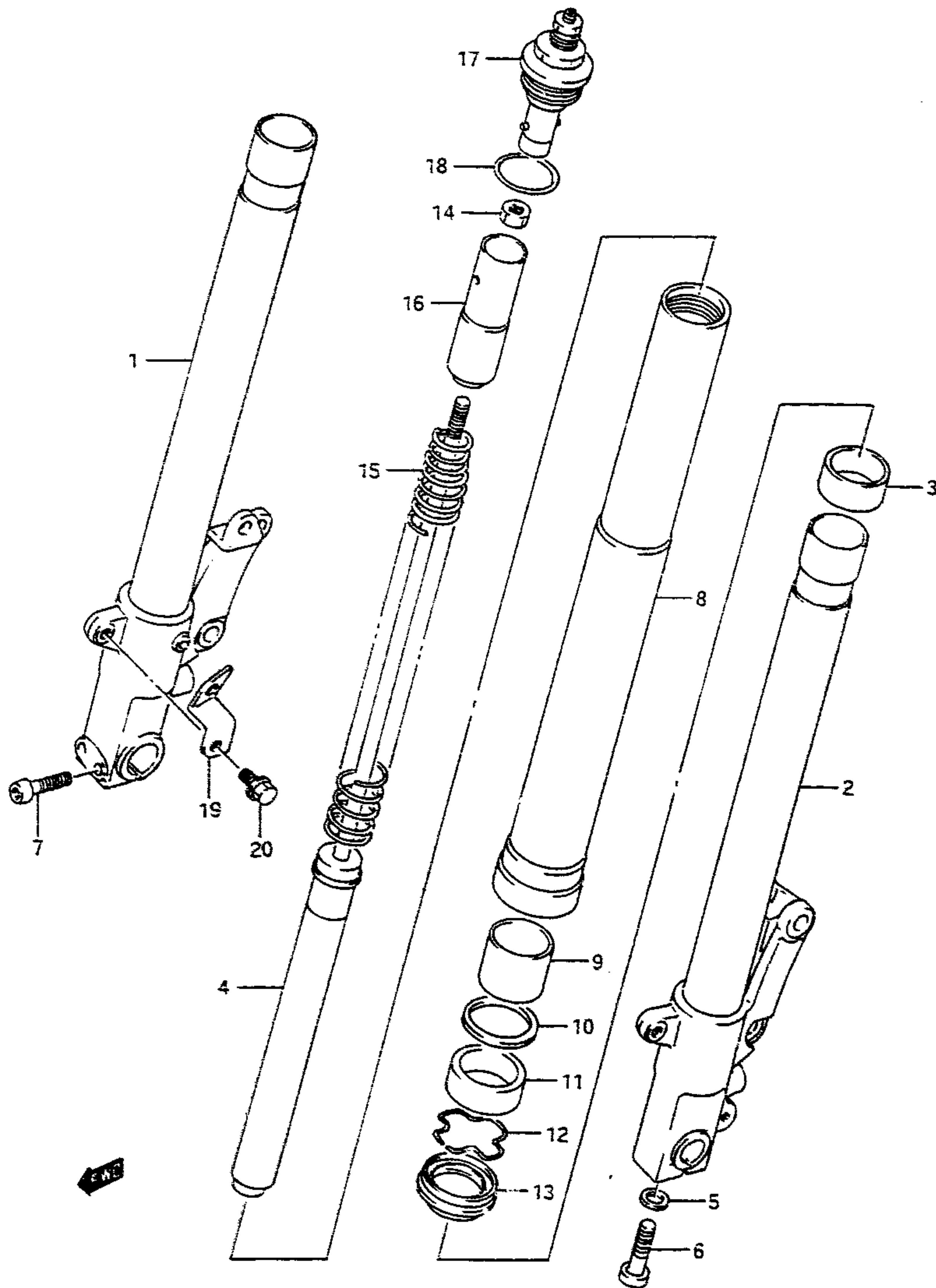
FIG. 37

G - 2

45

FIG. 37 ( G- 2) FRONT DAMPER

Q'TY



REF.NO.	PART NO.	DESCRIPTION	Q'TY	REMARKS
	51103-41C20	DAMPER ASSY, RH	1	
	51104-41C10	DAMPER ASSY, LH	1	
1	51110-40C40	.TUBE, inner RH	1	
2	51120-40C40	.TUBE, inner LH	1	
3	51121-28C00	.PISTON	2	
4	51146-41C00	.CYLINDER ASSY	2	
5	51148-40300	.GASKET	2	
6	51147-40C00	.BOLT	2	
7	51766-40C40	.BOLT, inner tube RH	2	
8	51130-40C40	.TUBE, outer	2	
9	51167-40C40	.METAL, slide	2	
10	51158-05A00	.WASHER	2	
11	51153-06C00	.SEAL, oil	2	
12	51156-49440	.RING, snap	2	
13	51173-40C40	.SEAL, dust	2	
14	51352-13A60	.NUT, lod	2	
15	51171-40C40	.SPRING, main	2	
16	51176-40C40	.SPACER, spring	2	
17	51351-40C40	.CAP ASSY	2	
18	51117-28C00	.O RING	2	
19-1	51590-17D10	PLATE, front fender RH	1	
19-2	51580-17D10	PLATE, front fender LH	1	
20	01517-08128	BOLT	2	

GSX-R1100N E28

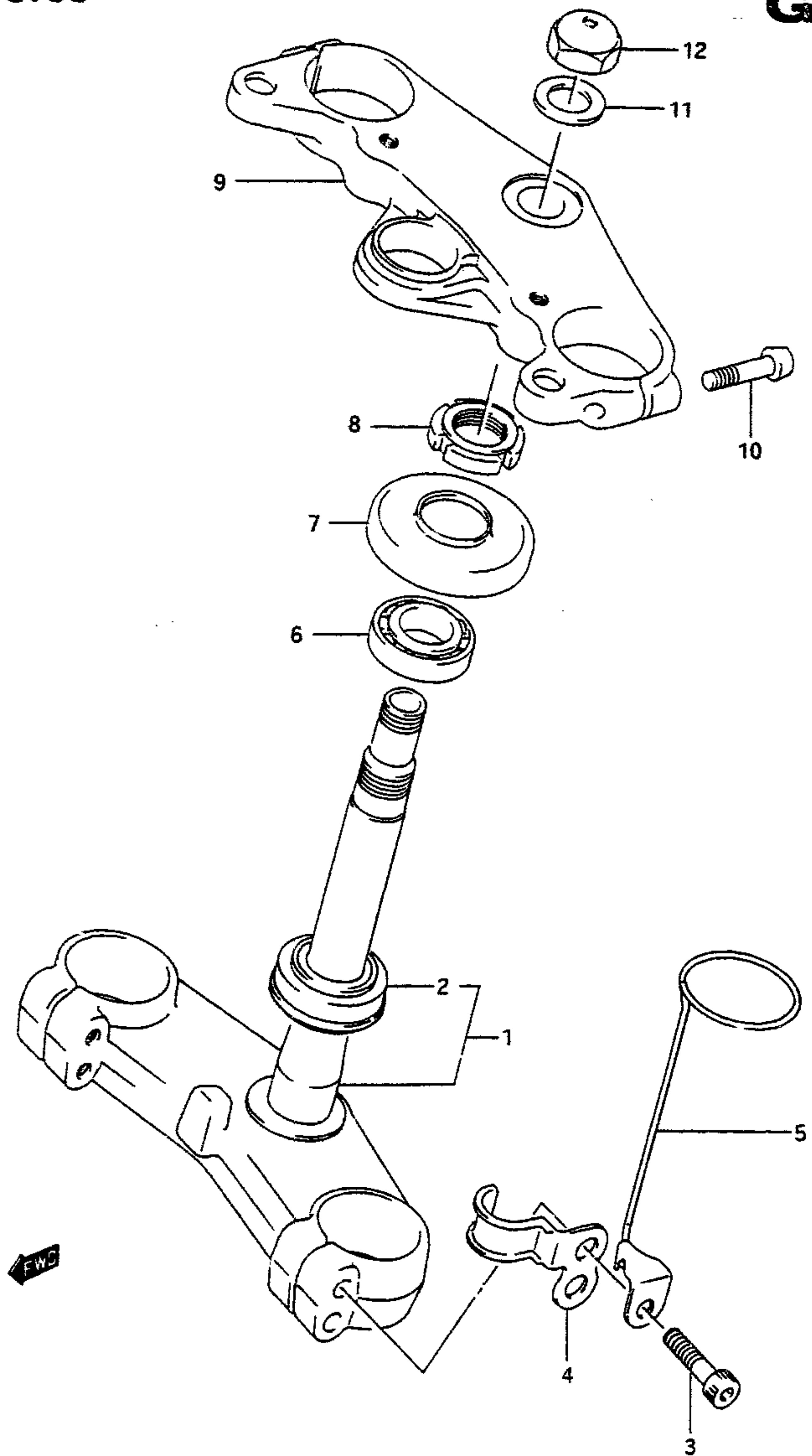
GSX-R1100N E28

AIR CLEANER.....C-5	CLUTCH MASTER CYL.G-12	CYL HEAD COVER.B-2	FR FENDER.....G-5	HEADLAMP.....E-8	RR FENDER.....H-4	STARTER CLUTCH..B-11
ALTERNATOR.....E-3	COSLING BODY.....H-8	ELECTRICAL.....E-6	FR MASTER CYL.G-11	MUFFLER.....C-6	RR MASTER CYL...H-7	STARTING MOTOR..E-2
BATTERY.....E-5	COWLING FIT SET...H-12	FOOTREST.....F-4	FR WHEEL.....G-6	OIL COOLER.....C-7	RR SWINGING ARM..H-2	STEERING DAMPER.G-4
CAM CHAIN.....B-14	CRANKCASE.....B-5	FRAME.....F-2	FUEL COCK.....F-7	OIL PAN.....B-8	RR WHEEL.....H-5	STEERING STEM...G-3
CAM SHAFT.....B-12	CRANKCASE COVER...B-7	FRAME COVER....F-10	FUEL TANK.....F-5	OIL PUMP.....B-9	SEAT.....F-8	TAIL LAMP.....E-10
CARBURETOR.....C-2	CRANKSHAFT.....B-10	FR BRAKE HOSE..G-10	GEAR SHIFTING..D-5	OPTIONAL.....H-14	SIGNAL GENERATOR.E-4	TRANSMISSION....D-3
CARBURETOR FIT.C-4	CYLINDER.....B-4	FR CALIPERS....G-9	HANDLE SWITCH.G-8	REAR CALIPER....H-6	SPEEDOMETER.....E-7	TURNSIGNAL LAMP.E-9
CLUTCH.....D-2	CYLINDER HEAD....B-3	FR DAMPER.....G-2	HANDLEBAR.....G-7	RR CUSHION LEVER.H-3	STAND.....F-3	WIRING HARNESS..E-11

FIG. 38

G - 3 <sup>46</sup>

FIG.38 ( G- 3) STEERING STEM



REF.NO.	PART NO.	DESCRIPTION	Q'TY	REMARKS
1	51410-40C40	STEM, steering	1	
2	09265-30009	.BEARING	1	
3	09106-10022	BOLT	4	
4	34938-41C00	GUIDE, meter cable	1	
5	51740-40C10	HOLDER, steering damper	1	
6	09265-25008	BEARING	1	
7	09285-34007	DUST SEAL	1	
8	51631-28000	NUT	1	
9	51311-40C40	HEAD, steering stem	1	
10	51451-41C00	BOLT, upper	2	
11	51356-24B01	WASHER	1	
12	51353-28A10	NUT	1	

GSX-R1100N E28

GSX-R1100N E28

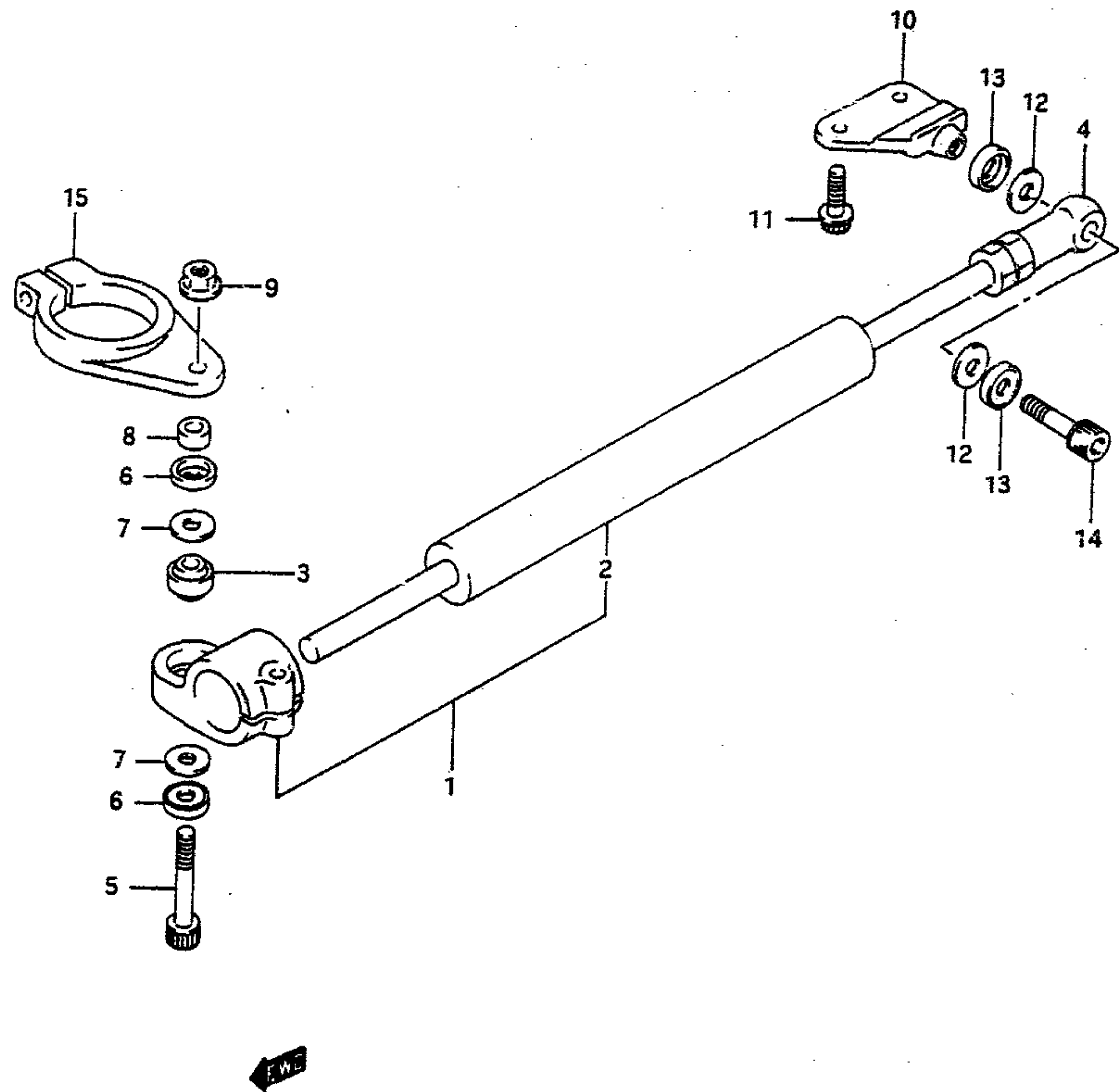
AIR CLEANER.....C-5	CLUTCH MASTER CYL.G-12	CYL HEAD COVER.B-2	FR FENDER.....G-5	HEADLAMP.....E-8	RR FENDER.....H-4	STARTER CLUTCH..B-11
ALTERNATOR.....E-3	COSLING BODY.....H-8	ELECTRICAL.....E-6	FR MASTER CYL.G-11	MUFFLER.....C-6	RR MASTER CYL...H-7	STARTING MOTOR..E-2
BATTERY.....E-5	COWLING FIT SET..H-12	FOOTREST.....F-4	FR WHEEL.....G-6	OIL COOLER.....C-7	RR SWINGING ARM..H-2	STEERING DAMPER.G-4
CAM CHAIN.....B-14	CRANKCASE.....B-5	FRAME.....F-2	FUEL COCK.....F-7	OIL PAN.....B-8	RR WHEEL.....H-5	STEERING STEM...G-3
CAM SHAFT.....B-12	CRANKCASE COVER..B-7	FRAME COVER...F-10	FUEL TANK.....F-5	OIL PUMP.....B-9	SEAT.....F-8	TAIL LAMP.....E-10
CARBURETOR.....C-2	CRANKSHAFT.....B-10	FR BRAKE HOSE..G-10	GEAR SHIFTING.D-5	OPTIONAL.....H-14	SIGNAL GENERATOR.E-4	TRANSMISSION....D-3
CARBURETOR FIT.C-4	CYLINDER.....B-4	FR CALIPERS....G-9	HANDLE SWITCH.G-8	REAR CALIPER....H-6	SPEEDOMETER.....E-7	TURN SIGNAL LAMP.E-9
CLUTCH.....D-2	CYLINDER HEAD...B-3	FR DAMPER.....G-2	HANDLEBAR.....G-7	RR CUSHION LEVER.H-3	STAND.....F-3	WIRING HARNESS..E-11

FIG. 39

G - 4

47

FIG. 39 ( G- 4) STEERING DAMPER



REF. NO.	PART NO.	DESCRIPTION	Q'TY	REMARKS
1	51750-40C21	DAMPER ASSY, steering	1	
2	51759-40C21	.DAMPER	1	
3	09269-06003	.BEARING	1	
4	51760-40C01	.END, lod	1	
5	07110-08407	BOLT	1	
6	64339-40410	DUST SEAL	2	
7	08221-08126	SHIM	2	
8	09180-08130	SPACER	1	
9	08319-31087	NUT	1	
10	41684-40C00	BOSS, steering damper	1	
11	07120-06208	BOLT	2	
12	08221-08126	SHIM	2	
13	64339-40410	DUST SEAL	2	
14	07110-08357	BOLT	1	
15	51781-40C41	BRACKET, fork	1	
16	07120-06358	BOLT	1	

GSX-R1100N E28

GSX-R1100N E28

AIR CLEANER.....C-5	CLUTCH MASTER CYL..G-12	CYL HEAD COVER..B-2	FR FENDER.....G-5	HEADLAMP.....E-8	RR FENDER.....H-4	STARTER CLUTCH..B-11
ALTERNATOR.....E-3	COSLING BODY.....H-8	ELECTRICAL.....E-6	FR MASTER CYL..G-11	MUFFLER.....C-6	RR MASTER CYL...H-7	STARTING MOTOR..E-2
BATTERY.....E-5	COWLING FIT SET...H-12	FOOTREST.....F-4	FR WHEEL.....G-6	OIL COOLER.....C-7	RR SWINGING ARM..H-2	STEERING DAMPER..G-4
CAM CHAIN.....B-14	CRANKCASE.....B-5	FRAME.....F-2	FUEL COCK.....F-7	OIL PAN.....B-8	RR WHEEL.....H-5	STEERING STEM...G-3
CAM SHAFT.....B-12	CRANKCASE COVER...B-7	FRAME COVER...F-10	FUEL TANK.....F-5	OIL PUMP.....B-9	SEAT.....F-8	TAIL LAMP.....E-10
CARBURETOR.....C-2	CRANKSHAFT.....B-10	FR BRAKE HOSE..G-10	GEAR SHIFTING..D-5	OPTIONAL.....H-14	SIGNAL GENERATOR..E-4	TRANSMISSION...D-3
CARBURETOR FIT..C-4	CYLINDER.....B-4	FR CALIPERS....G-9	HANDLE SWITCH..G-8	REAR CALIPER....H-6	SPEEDOMETER.....E-7	TURNSIGNAL LAMP..E-9
CLUTCH.....D-2	CYLINDER HEAD....B-3	FR DAMPER.....G-2	HANDLEBAR.....G-7	RR CUSHION LEVER..H-3	STAND.....F-3	WIRING HARNESS..E-11

FIG.40

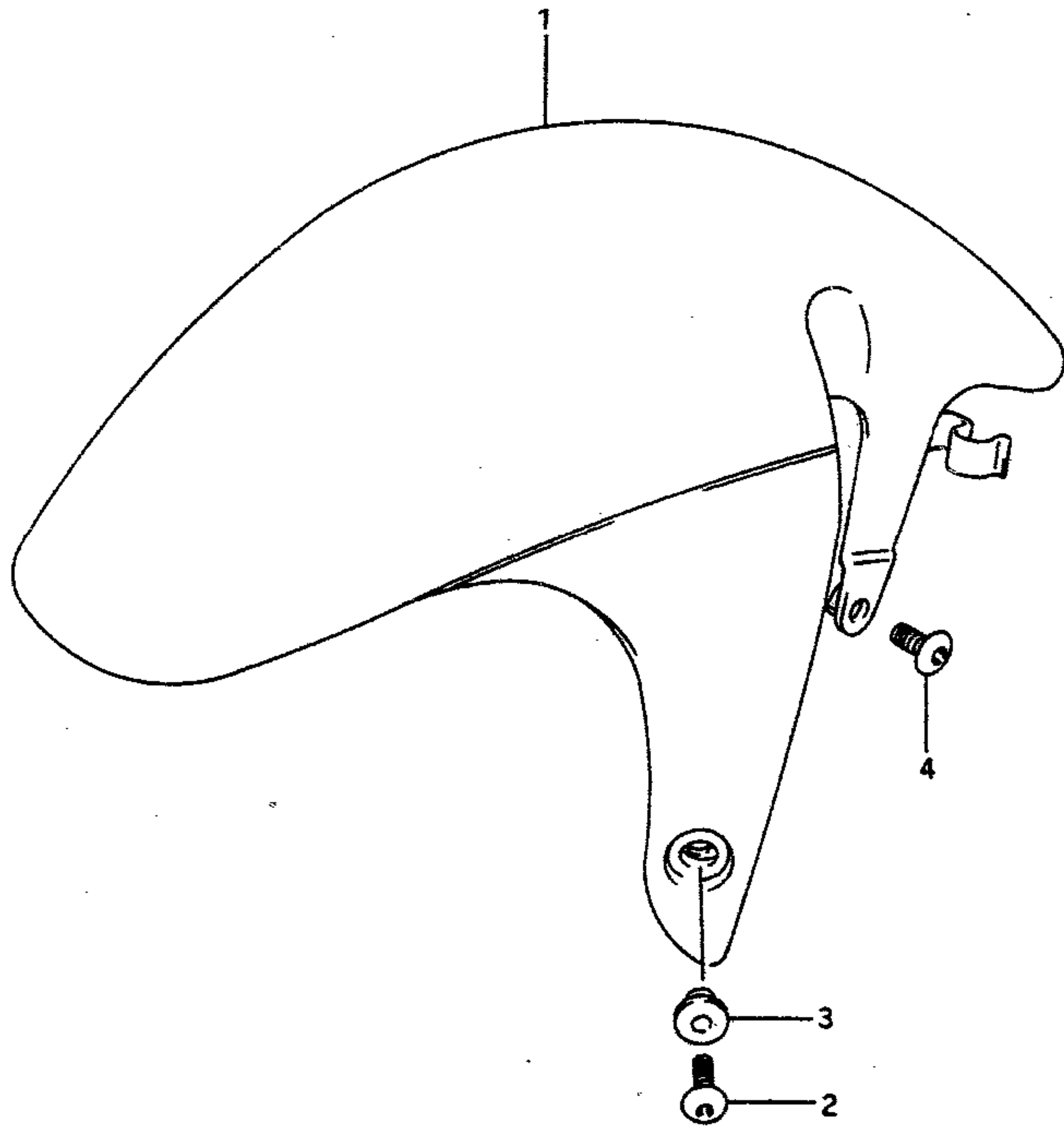
**G - 5**

48

FIG.40 ( G- 5) FRONT FENDER

Q'TY

REF.NO.	PART NO.	DESCRIPTION	Q'TY	REMARKS
1-1	53110-17020-0NE	FENDER, front (Blue)	1	for 3SL
1-2	53110-17020-28V	FENDER, front (Red)	1	for 3EE
1-3	53110-17020-1LE	FENDER, front (Blue)	1	for L99
1-4	53110-17020-33J	FENDER, front (Black)	1	for M01,3WC
2	09139-06030	SCREW, front	2	
3	09161-06021	WASHER, front	2	
4	09139-08007	SCREW, rear	2	



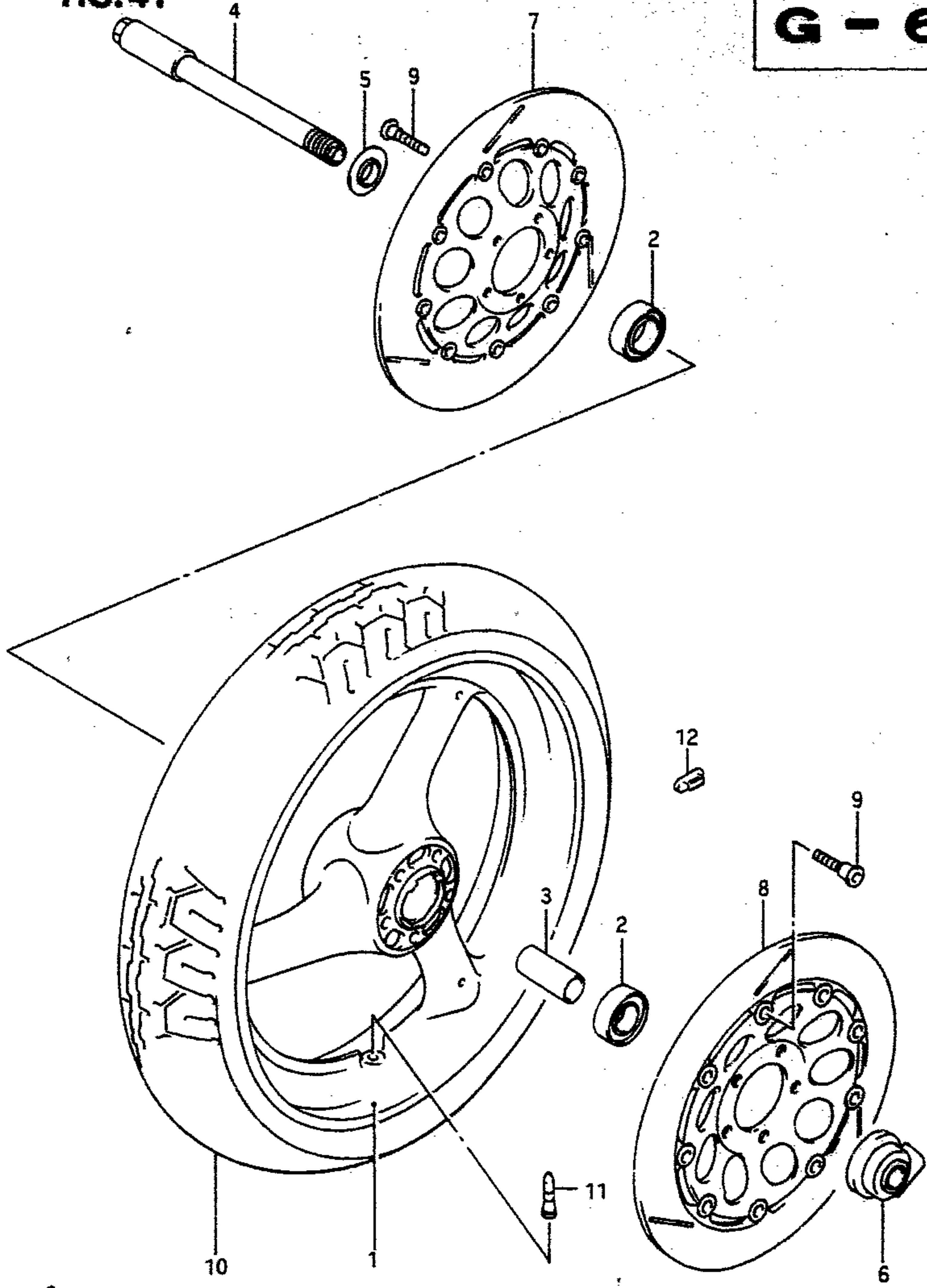
GSX-R1100N E28

GSX-R1100N E28

AIR CLEANER.....C-5	CLUTCH MASTER CYL.G-12	CYL HEAD COVER.B-2	FR FENDER.....G-5	HEADLAMP.....E-8	RR FENDER.....H-4	STARTER CLUTCH..B-11
ALTERNATOR.....E-3	COSLING BODY.....H-8	ELECTRICAL.....E-6	FR MASTER CYL.G-11	MUFFLER.....C-6	RR MASTER CYL...H-7	STARTING MOTOR..E-2
BATTERY.....E-5	COWLING FIT SET..H-12	FOOTREST.....F-4	FR WHEEL.....G-6	OIL COOLER.....C-7	RR SWINGING ARM..H-2	STEERING DAMPER.G-4
CAM CHAIN.....B-14	CRANKCASE.....B-5	FRAME.....F-2	FUEL COCK.....F-7	OIL PAN.....B-8	RR WHEEL.....H-5	STEERING STEM..G-3
CAM SHAFT.....B-12	CRANKCASE COVER..B-7	FRAME COVER...F-10	FUEL TANK.....F-5	OIL PUMP.....B-9	SEAT.....F-8	TAIL LAMP.....E-10
CARBURETOR.....C-2	CRANKSHAFT.....E-10	FR BRAKE HOSE..G-10	GEAR SHIFTING..D-5	OPTIONAL.....H-14	SIGNAL GENERATOR.E-4	TRANSMISSION....D-3
CARBURETOR FIT.C-4	CYLINDER.....B-4	FR CALIPERS....G-9	HANDLE SWITCH.G-8	REAR CALIPER....H-6	SPEEDOMETER.....E-7	TURNSIGNAL LAMP.E-9
CLUTCH.....D-2	CYLINDER HEAD...B-3	FR DAMPER.....G-2	HANDLEBAR.....G-7	RR CUSHION LEVER.H-3	STAND.....F-3	WIRING HARNESS..E-11

FIG.41

**G - 6**



49

FIG.41 ( G- 6) FRONT WHEEL

REF.NO.	PART NO.	DESCRIPTION	Q'TY	REMARKS
1-1	54111-17C00-28W	WHEEL, front (MT3.50x17) (White)	1	for 3SL
1-2	54111-17C00-12R	WHEEL, front (MT3.50x17) (Silver)	1	for 3EE,M01
1-3	54111-17C00-1M3	WHEEL, front (MT3.50x17) (Blue)	1	for L99
1-4	54111-17C00-1DR	WHEEL, front (MT3.50x17) (Purple)	1	for 3WC
2	08123-62047	BEARING	2	
3	09180-20103	SPACER	1	
4	54711-17D00	AXLE, front	1	
5	54740-17C00	SPACER, bearing RH	1	
6	54600-17C00	BOX ASSY, speedometer gear	1	
7	59210-40C02	DISC, front brake RH	1	
8	59220-40C02	DISC, front brake LH	1	
9	09106-08062	BOLT	10	
10	55110-41C00	TIRE, front (120/70 ZR17) (DUNLOP)	1	
11	43130-24A00	VALVE	1	
12-1	55411-00A00	BALANCEP. (10g)	0-3	
12-2	55412-00A00	BALANCER (20g)	0-3	
12-3	55413-00A00	BALANCER (30g)	0-3	

GSX-R1100N E28

GSX-R1100N E28

AIR CLEANER.....C-5	CLUTCH MASTER CYL.....G-12	CYL HEAD COVER.....B-2	FR FENDER.....G-5	HEADLAMP.....E-8	RR FENDER.....H-4	STARTER CLUTCH.....B-11
ALTERNATOR.....E-3	COSLING BODY.....H-8	ELECTRICAL.....E-5	FR MASTER CYL.....G-11	MUFFLER.....C-6	RR MASTER CYL.....H-7	STARTING MOTOR.....E-2
BATTERY.....E-5	COWLING FIT SET.....H-12	FOOTREST.....F-4	FR WHEEL.....G-6	OIL COOLER.....C-7	RR SWINGING ARM.....H-2	STEERING DAMPER.....G-4
CAM CHAIN.....B-14	CRANKCASE.....B-5	FRAME.....F-2	FUEL COCK.....F-7	OIL PAN.....B-8	RR WHEEL.....H-5	STEERING STEM.....G-3
CAM SHAFT.....B-12	CRANKCASE COVER.....B-7	FRAME COVER.....F-10	FUEL TANK.....F-5	OIL PUMP.....B-9	SEAT.....F-8	TAIL LAMP.....E-10
CARBURETOR.....C-2	CRANKSHAFT.....B-10	FR BRAKE HOSE.....G-10	GEAR SHIFTING.....D-5	OPTIONAL.....H-14	SIGNAL GENERATOR.....E-4	TRANSMISSION.....D-3
CARBURETOR FIT.....C-4	CYLINDER.....B-4	FR CALIPERS.....G-9	HANDLE SWITCH.....G-8	REAR CALIPER.....H-6	SPEEDOMETER.....E-7	TURNSIGNAL LAMP.....E-9
CLUTCH.....D-2	CYLINDER HEAD.....B-3	FR DAMPER.....G-2	HANDLEBAR.....G-7	RR CUSHION LEVER.....H-3	STAND.....F-3	WIRING HARNESS.....E-11

FIG.42

**G-7**

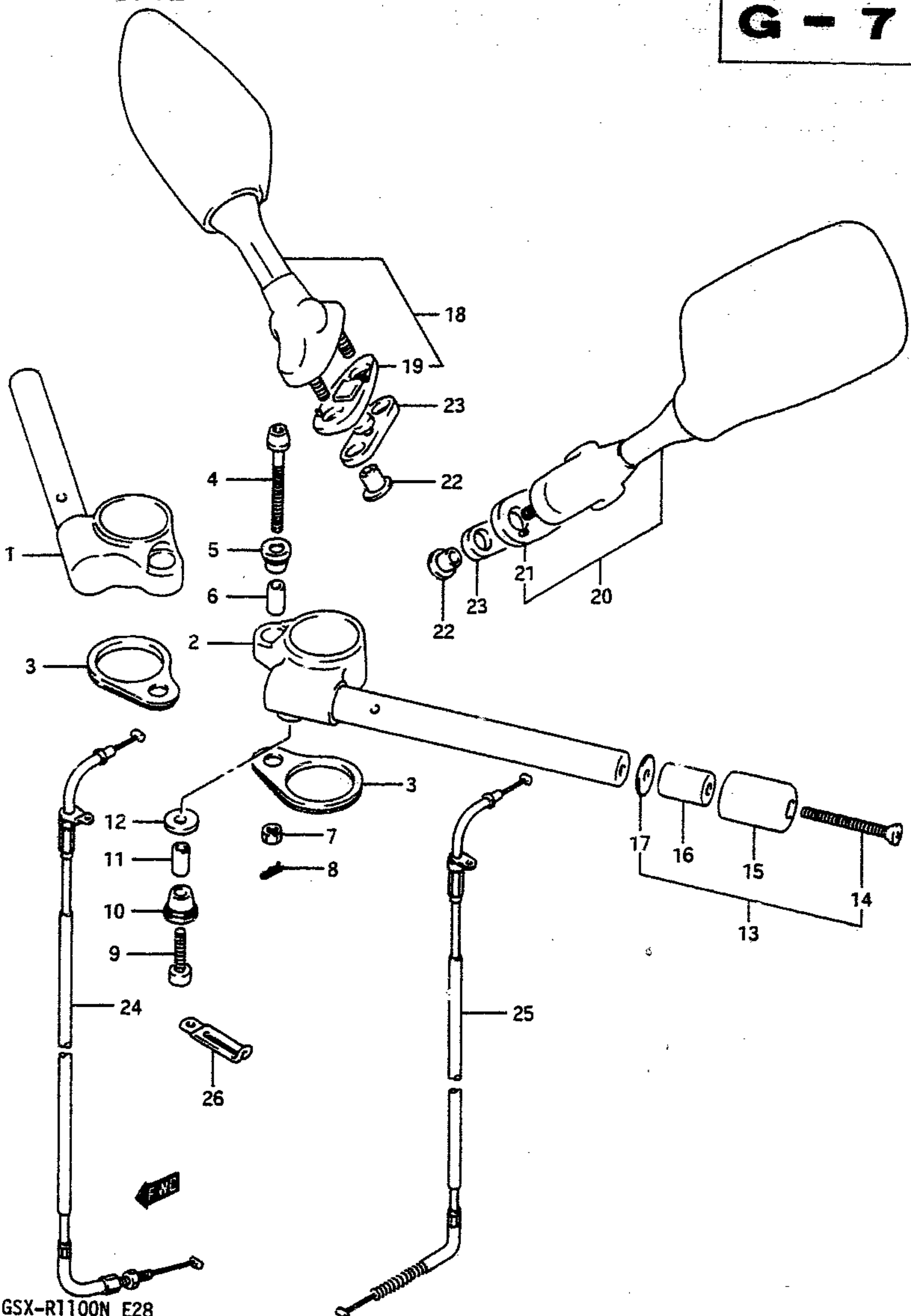


FIG.42 ( G- 7) HANDLEBAR

REF.NO.	PART NO.	DESCRIPTION	Q'TY	REMARKS
1	56111-40C20	HANDLEBAR, RH	1	
2	56151-40C20	HANDLEBAR, LH	1	
3	56240-41C00	CUSHION, handlebar	2	
4	56231-40C10	BOLT, handlebar	2	
5	56190-40C10	CUSHION	2	
6	56243-40C11	SPACER	2	
7	08310-22088	NUT	2	
8	09385-08005	CLIP	2	
9	07110-08307	BOLT	2	
10	56190-40C10	CUSHION	2	
11	56243-40C11	SPACER	2	
12	56244-40C00	CUSHION, spacer	2	
13	56200-40811	BALANCER SET, handlebar	2	
14	09127-06015	.SCREW	2	
15	56274-40C10	.CAP	2	
16	56271-40C10	.BALANCER	2	
17	56275-34400	.SPACER	2	
18-1	56500-41C01-H38	MIRROR ASSY, rear view RH (White)	1	for 3SL
18-2	56500-41C01-84N	MIRROR ASSY, rear view RH (Black)	1	for 3EE,L99,M01,3WC
19	56528-41C00	.GASKET, mirror RH	1	
20-1	56600-41C01-H38	MIRROR ASSY, rear view LH (White)	1	for 3SL
20-2	56600-41C01-84N	MIRROR ASSY, rear view LH (Black)	1	for 3EE,L99,M01,3WC
21	56628-41C00	.GASKET, mirror LH	1	
22	56619-12C00	NUT, view mirror	4	
23	94576-41C00	CUSHION, view mirror	2	
24	58300-41C00	CABLE ASSY, throttle	1	
25	58410-41C00	CABLE, starter	1	
26	09404-06402	CLAMP, cable	2	

GSX-R1100N E28

GSX-R1100N E28

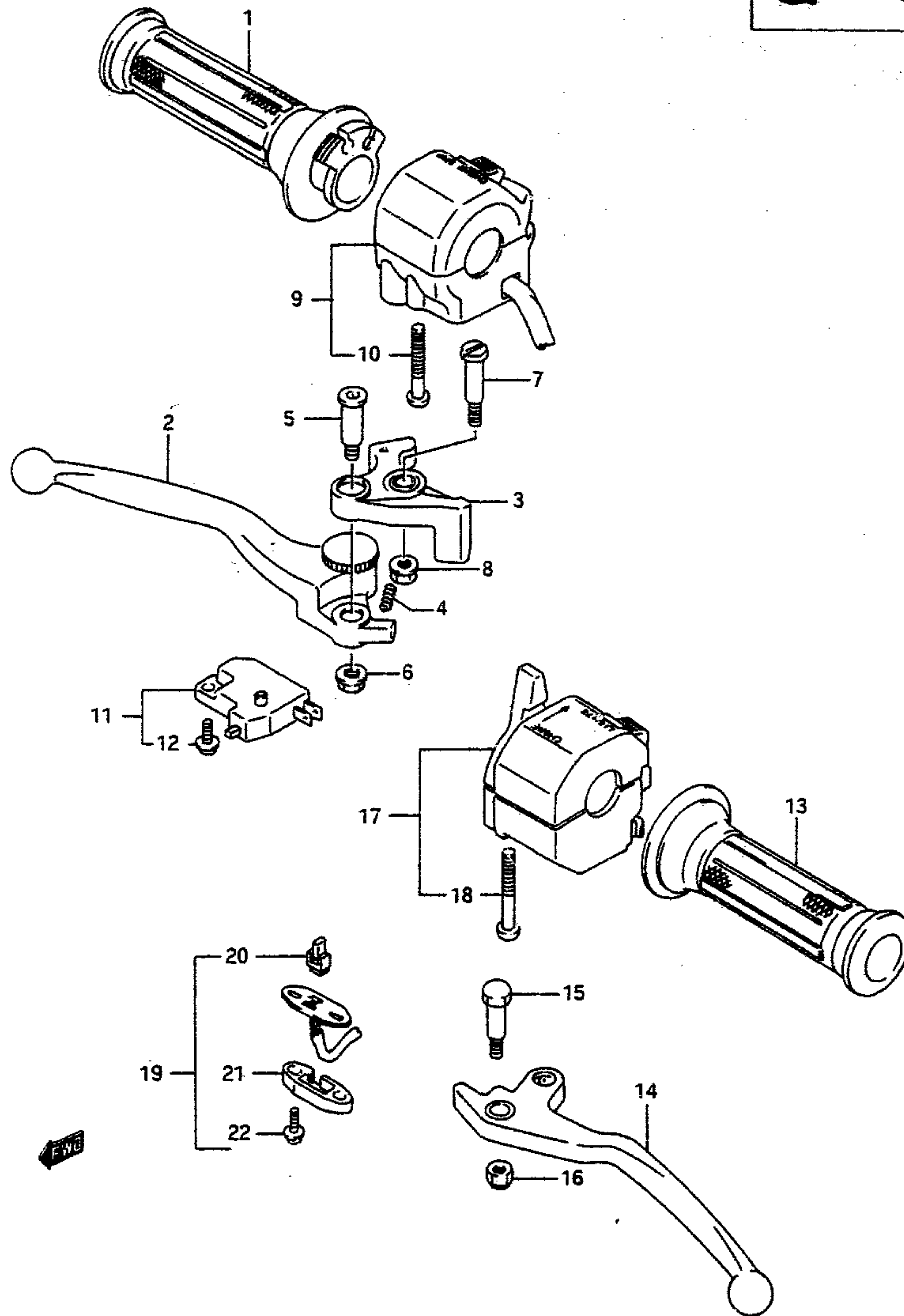
AIR CLEANER.....C-5	CLUTCH MASTER CYL.G-12	CYL HEAD COVER.B-2	FR FENDER.....G-5	HEADLAMP.....E-8	RR FENDER.....H-4	STARTER CLUTCH..B-11
ALTERNATOR.....E-3	COSLING BODY.....H-8	ELECTRICAL.....E-6	FR MASTER CYL.G-11	MUFFLER.....C-6	RR MASTER CYL...H-7	STARTING MOTOR..E-2
BATTERY.....E-5	COWLING FIT SET..H-12	FOOTREST.....F-4	FR WHEEL.....G-6	OIL COOLER.....C-7	RR SWINGING ARM..H-2	STEERING DAMPER.G-4
CAM CHAIN.....B-14	CRANKCASE.....B-5	FRAME.....F-2	FUEL COCK.....F-7	OIL PAN.....B-8	RR WHEEL.....H-5	STEERING STEM...G-3
CAM SHAFT.....B-12	CRANKCASE COVER..B-7	FRAME COVER...F-10	FUEL TANK.....F-5	OIL PUMP.....B-9	SEAT.....F-8	TAIL LAMP.....E-10
CARBURETOR.....C-2	CRANKSHAFT.....B-10	FR BRAKE HOSE..G-10	GEAR SHIFTING.D-5	OPTIONAL.....H-14	SIGNAL GENERATOR.E-4	TRANSMISSION....D-3
CARBURETOR FIT.C-4	CYLINDER.....B-4	FR CALIPERS....G-9	HANDLE SWITCH.G-8	REAR CALIPER...H-6	SPEEDOMETER.....E-7	URNSIGNAL LAMP.E-9
CLUTCH.....D-2	CYLINDER HEAD...B-3	FR DAMPER.....G-2	HANDLEBAR.....G-7	RR CUSHION LEVER.H-3	STAND.....F-3	WIRING HARNESS..E-11

FIG.43

G - 8

51

FIG.43 ( G- 8) HANDLE SWITCH



REF.NO.	PART NO.	DESCRIPTION	Q'TY	REMARKS
1	57110-49501	GRIP, throttle	1	
2	57420-32C00	LEVER, adjust	1	
3	57430-40C00	KNOCKER	1	
4	57438-32C00	.SPRING	1	
5	57437-32C00	BOLT	1	
6	08319-31065	NUT	1	
7	57431-17C00	BOLT, lever	1	
8	08316-16064	NUT	1	
9	37200-41C30	SWITCH ASSY, handle RH	1	
10	02112-05455	.SCREW	2	
11	57460-17C00	SWITCH ASSY, stop	1	
12	57465-17C00	.SCREW	1	
13	57211-49500	GRIP, LH	1	
14	57620-40C00	LEVER, clutch	1	
15	57431-05A00	BOLT	1	
16	08319-21065	NUT	1	
17	37400-41C10	SWITCH ASSY, handle LH	1	
18	02112-05455	.SCREW	2	
19	57560-08A00	SWITCH ASSY, clutch	1	
20	57465-18601	.HOLDER	1	
21	57481-33010	.COVER	1	
22	09125-03105	.SCREW	2	

GSX-R1100N E28

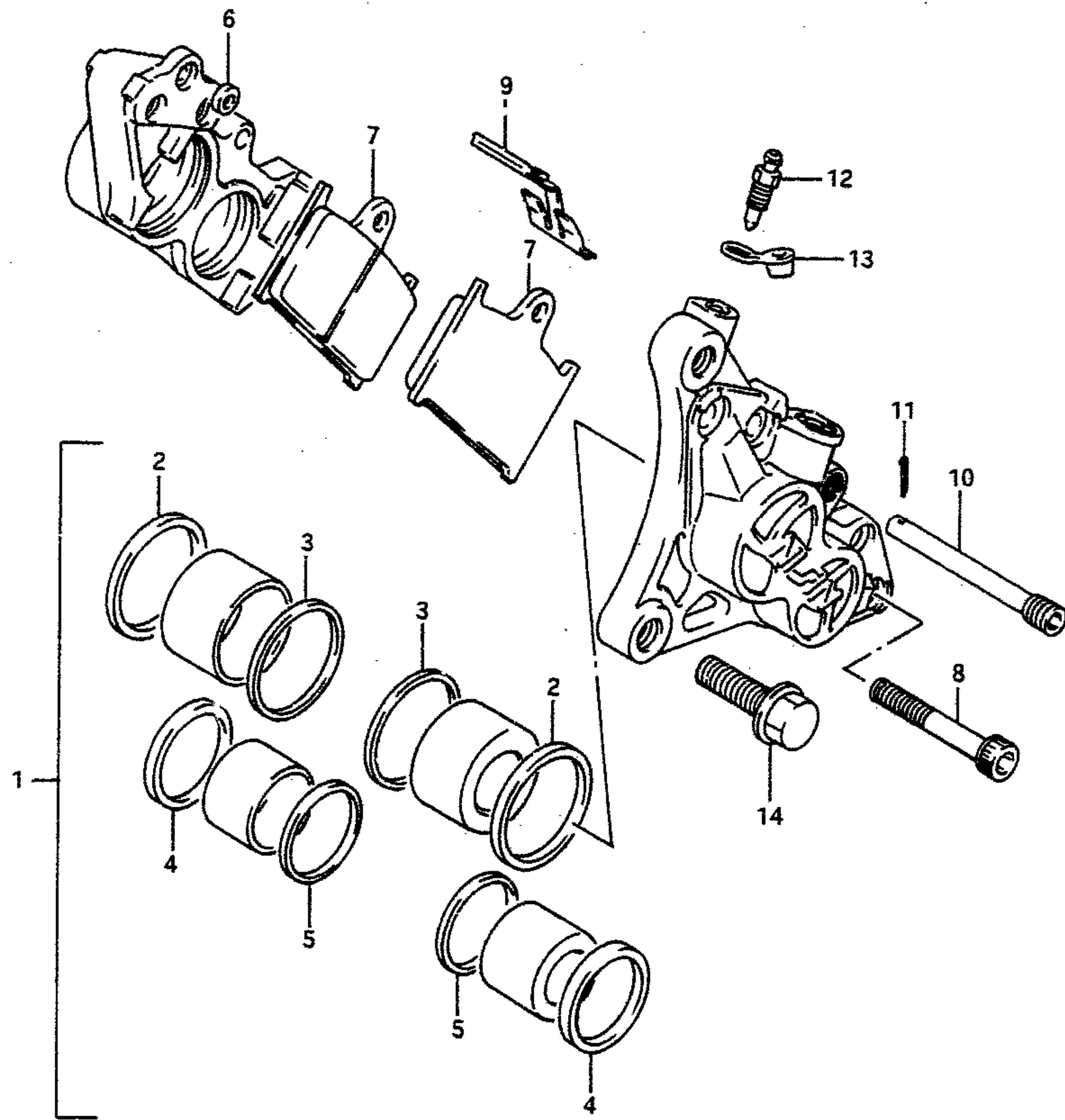
GSX-R1100N E28

AIR CLEANER...C-5	CLUTCH MASTER CYL...G-12	CYL HEAD COVER...B-2	FR FENDER...G-5	HEADLAMP...E-8	RR FENDER...H-4	STARTER CLUTCH...B-11
ALTERNATOR...E-3	COSLING BODY...H-8	ELECTRICAL...E-6	FR MASTER CYL...G-11	MUFFLER...C-6	RR MASTER CYL...H-7	STARTING MOTOR...E-2
BATTERY...E-5	COWLING FIT SET...H-12	FOOTREST...F-4	FR WHEEL...G-6	OIL COOLER...C-7	RR SWINGING ARM...H-2	STEERING DAMPER...G-4
CAM CHAIN...B-14	CRANKCASE...B-5	FRAME...F-2	FUEL COCK...F-7	OIL PAN...B-8	RR WHEEL...H-5	STEERING STEM...G-3
CAM SHAFT...B-12	CRANKCASE COVER...B-7	FRAME COVER...F-10	FUEL TANK...F-5	OIL PUMP...B-9	SEAT...F-8	TAIL LAMP...E-10
CARBURETOR...C-2	CRANKSHAFT...B-10	FR BRAKE HOSE...G-10	GEAR SHIFTING...D-5	OPTIONAL...H-14	SIGNAL GENERATOR...E-4	TRANSMISSION...D-3
CARBURETOR FIT...C-4	CYLINDER...B-4	FR CALIPERS...G-9	HANDLE SWITCH...G-8	REAR CALIPER...H-6	SPEEDOMETER...E-7	TURNSIGNAL LAMP...E-9
CLUTCH...D-2	CYLINDER HEAD...B-3	FR DAMPER...G-2	HANDLEBAR...G-7	RR CUSHION LEVER...H-3	STAND...F-3	WIRING HARNESS...E-11

FIG.44

G - 9

FIG.44 ( G- 9) FRONT CALIPERS



REF.NO.	PART NO.	DESCRIPTION	Q'TY	REMARKS
	59100-40C01	CALIPER ASSY, RH	1	
	59300-40C01	CALIPER ASSY, LH	1	
1	59100-17830	.PISTON SET	2	
2	59107-13A00	..SEAL, piston	4	
3	59108-13A00	..BOOT	4	
4	59107-17C00	..SEAL, piston	4	
5	59108-17C00	..BOOT	4	
6	69107-17C00	..SEAL	4	
7	59130-40C00	.PAD	4	
8	59145-33C00	.BOLT, housing	8	
9	59315-17C00	.SPRING	2	
10	59345-33C00	.PIN	2	
11	04111-16158	.PIN, cotter	2	
12	59121-01A00	.BLEEDER	2	
13	59122-01A00	.CAP	2	
14	01517-10305	BOLT	4	

GSX-R1100N E28

GSX-R1100N E28

AIR CLEANER.....C-5	CLUTCH MASTER CYL.G-12	CYL HEAD COVER.B-2	FR FENDER.....G-5	HEADLAMP.....E-8	RR FENDER.....H-4	STARTER CLUTCH..B-11
ALTERNATOR.....E-3	COSLING BODY.....H-8	ELECTRICAL.....E-6	FR MASTER CYL.G-11	MUFFLER.....C-6	RR MASTER CYL....H-7	STARTING MOTOR..E-2
BATTERY.....E-5	COWLING FIT SET...H-12	FOOTREST.....F-4	FR WHEEL.....G-6	OIL COOLER.....C-7	RR SWINGING ARM..H-2	STEERING DAMPER.G-4
CAM CHAIN.....B-14	CRANKCASE.....B-5	FRAME.....F-2	FUEL COCK.....F-7	OIL PAN.....B-8	RR WHEEL.....H-5	STEERING STEM...G-3
CAM SHAFT.....B-12	CRANKCASE COVER..B-7	FRAME COVER...F-10	FUEL TANK.....F-5	OIL PUMP.....B-9	SEAT.....F-8	TAIL LAMP.....E-10
CARBURETOR.....C-2	CRANKSHAFT.....B-10	FR BRAKE HOSE..G-10	GEAR SHIFTING.D-5	OPTIONAL.....H-14	SIGNAL GENERATOR.E-4	TRANSMISSION....D-3
CARBURETOR FIT.C-4	CYLINDER.....B-4	FR CALIPERS....G-9	HANDLE SWITCH.G-8	REAR CALIPER...H-6	SPEEDOMETER.....E-7	URNSIGNAL LAMP.E-9
CLUTCH.....D-2	CYLINDER HEAD...B-3	FR DAMPER.....G-2	HANDLEBAR.....G-7	RR CUSHION LEVER.H-3	STAND.....F-3	WIRING HARNESS..E-11

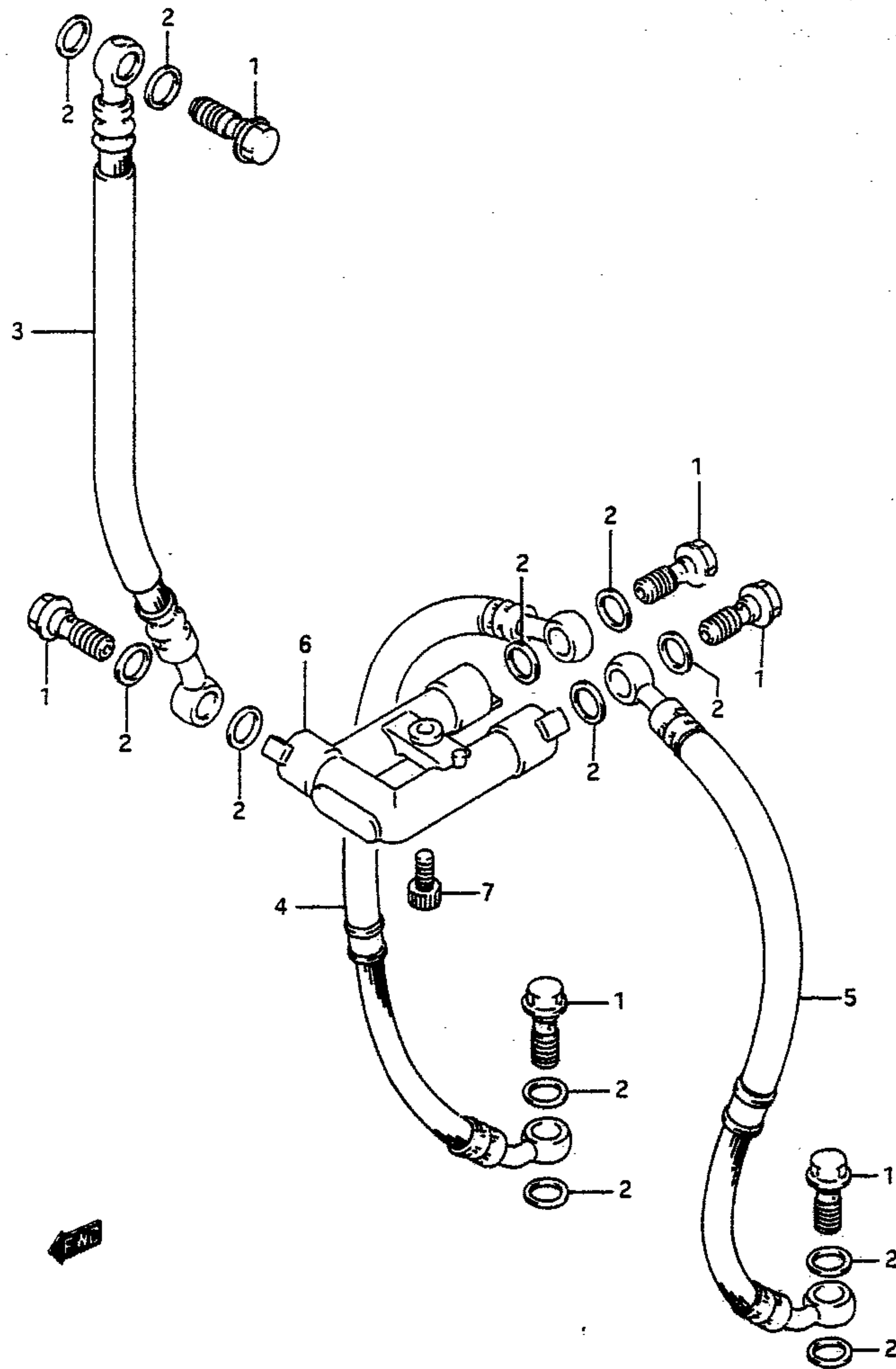


FIG.45

**G - 10**

FIG.45 ( G-10) FRONT BRAKE HOSE

53



REF.NO.	PART NO.	DESCRIPTION	Q'TY	REMARKS
1	09360-10017	BOLT	6	
2	09161-10009	WASHER	12	
3	59480-41C10	HOSE, front brake No.1	1	
4	59240-40C20	HOSE, front brake No.2,RH	1	
5	59440-40C20	HOSE, front brake No.2,LH	1	
6	59491-40C01	JOINT, brake hose	1	
7	07110-06165	BOLT	1	

GSX-R1100N E28

GSX-R1100N E28

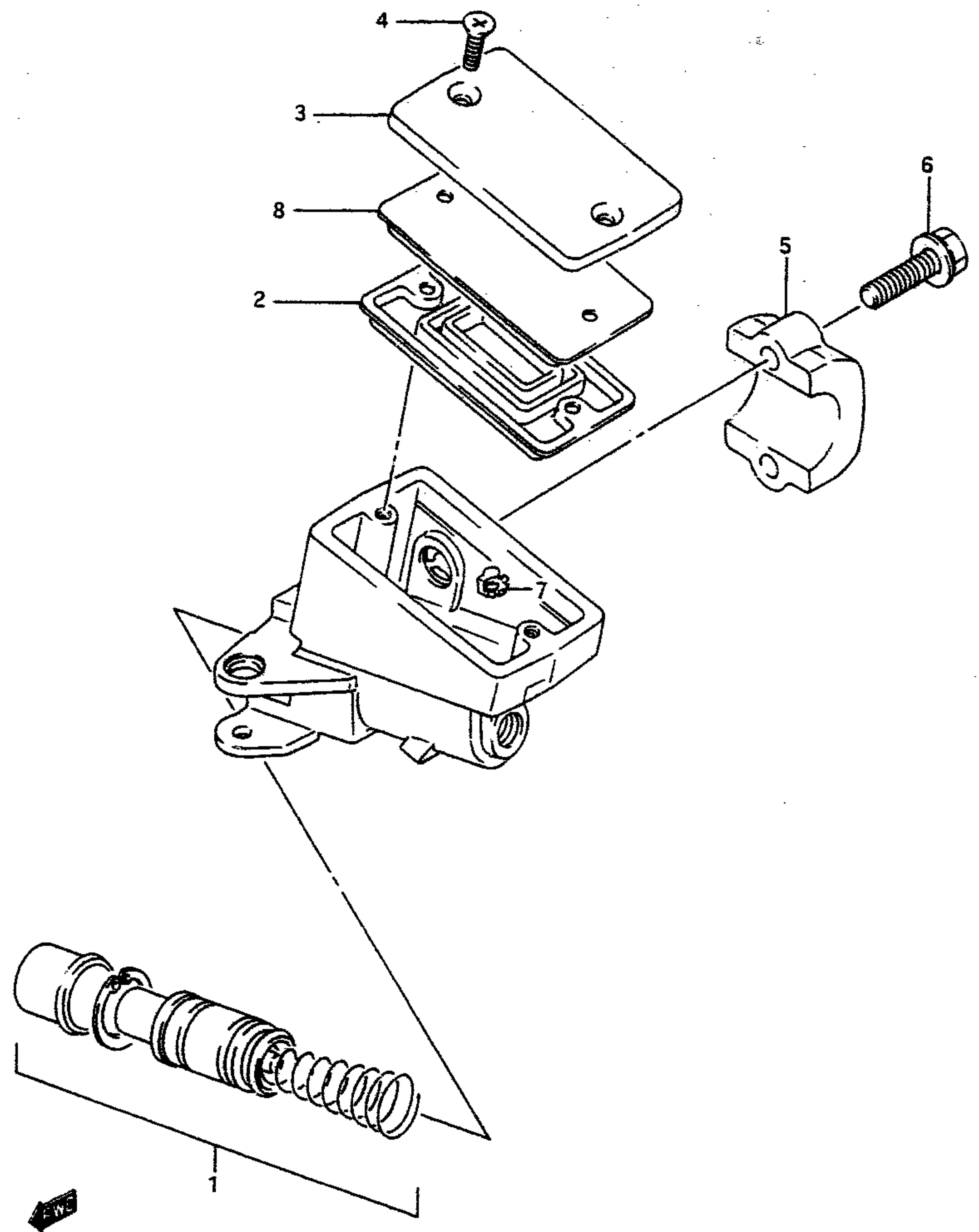
AIR CLEANER.....C-5	CLUTCH MASTER CYL.G-12	CYL HEAD COVER.B-2	FR FENDER.....G-5	HEADLAMP.....E-8	RR FENDER.....H-4	STARTER CLUTCH..B-11
ALTERNATOR.....E-3	COSLING BODY.....H-8	ELECTRICAL.....E-6	FR MASTER CYL.G-11	MUFFLER.....C-6	RR MASTER CYL...H-7	STARTING MOTOR..E-2
BATTERY.....E-5	COWLING FIT SET..H-12	FOOTREST.....F-4	FR WHEEL.....G-6	OIL COOLER.....C-7	RR SWINGING ARM..H-2	STEERING DAMPER.G-4
CAM CHAIN.....B-14	CRANKCASE.....B-5	FRAME.....F-2	FUEL COCK.....F-7	OIL PAN.....B-8	RR WHEEL.....H-5	STEERING STEM...G-3
CAM SHAFT.....B-12	CRANKCASE COVER..B-7	FRAME COVER...F-10	FUEL TANK.....F-5	OIL PUMP.....B-9	SEAT.....F-8	TAIL LAMP.....E-10
CARBURETOR.....C-2	CRANKSHAFT.....B-10	FR BRAKE HOSE..G-10	GEAR SHIFTING.D-5	OPTIONAL.....H-14	SIGNAL GENERATOR.E-4	TRANSMISSION....D-3
CARBURETOR FIT.C-4	CYLINDER.....B-4	FR CALIPERS....G-9	HANDLE SWITCH.G-8	REAR CALIPER....H-6	SPEEDOMETER.....E-7	TURN SIGNAL LAMP.E-9
CLUTCH.....D-2	CYLINDER HEAD...B-3	FR DAMPER.....G-2	HANDLEBAR.....G-7	RR CUSHION LEVER.H-3	STAND.....F-3	WIRING HARNESS..E-11

FIG. 46

G - 11

54

FIG. 46 ( G-11) FRONT MASTER CYLINDER



REF.NO.	PART NO.	DESCRIPTION	Q'TY	REMARKS
	59600-41C00	CYLINDER ASSY, front master	1	
1	59600-45850	.PISTON & CUP SET	1	
2	59667-49460	.DIAPHRAGM	1	
3	59669-41C00	.CAP	1	
4	69689-49300	.SCREW	2	
5	59671-19800	.HOLDER	1	
6	59675-17C00	.BOLT	2	
7	59664-48800	.PROTECTOR	1	
8	59668-41C00	.PLATE	1	

GSX-R1100N E28

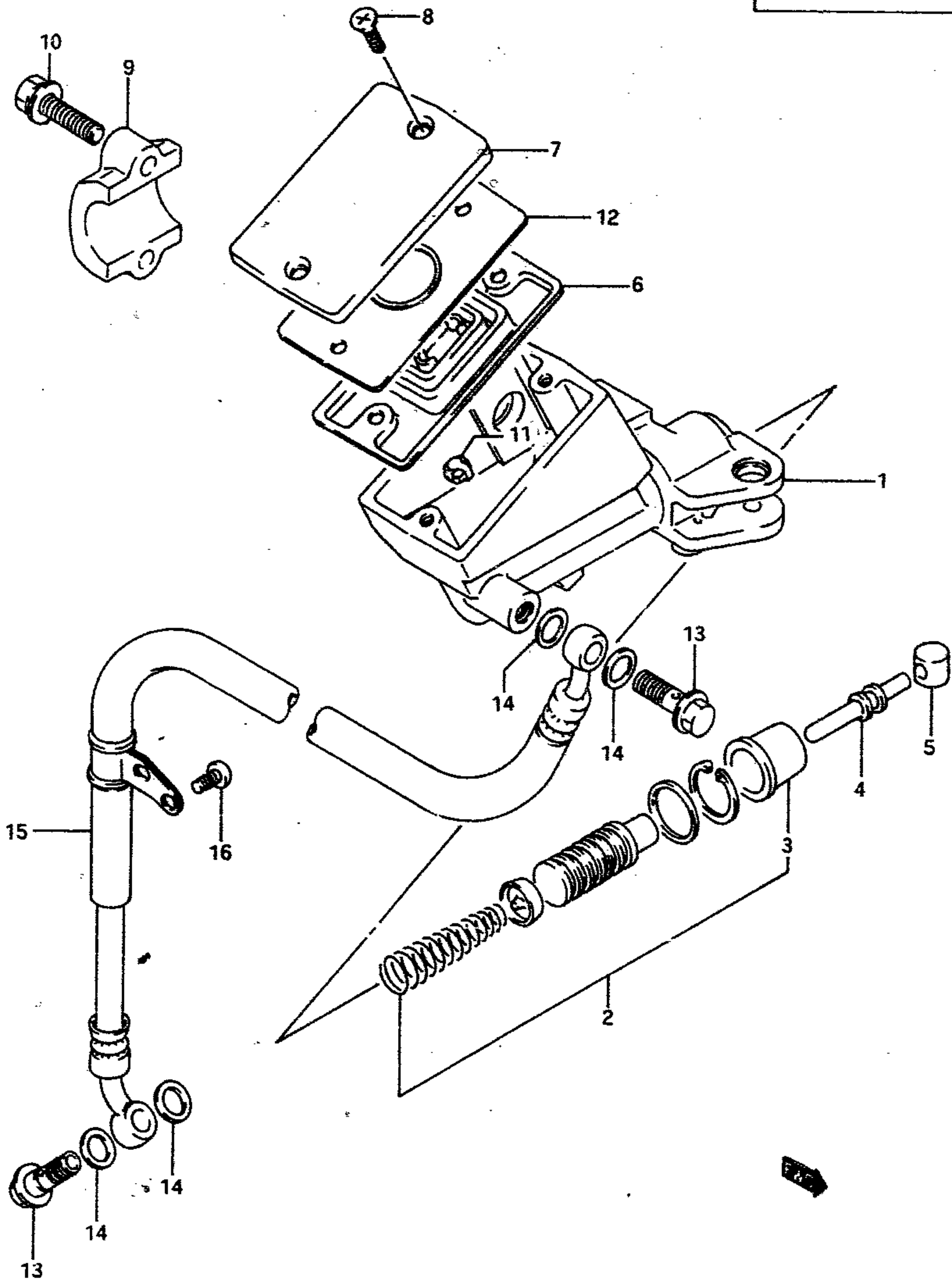
GSX-R1100N E28

AIR CLEANER.....C-5	CLUTCH MASTER CYL..G-12	CYL HEAD COVER..B-2	FR FENDER.....G-5	HEADLAMP.....E-8	RR FENDER.....H-4	STARTER CLUTCH..B-11
ALTERNATOR.....E-3	COSLING BODY.....H-8	ELECTRICAL.....E-6	FR MASTER CYL..G-11	MUFFLER.....C-6	RR MASTER CYL...H-7	STARTING MOTOR..E-2
BATTERY.....E-5	COWLING FIT SET..H-12	FOOTREST.....F-4	FR WHEEL.....G-6	OIL COOLER.....C-7	RR SWINGING ARM..H-2	STEERING DAMPER..G-4
CAM CHAIN.....B-14	CRANKCASE.....B-5	FRAME.....F-2	FUEL COCK.....F-7	OIL PAN.....B-8	RR WHEEL.....H-5	STEERING STEM...G-3
CAM SHAFT.....B-12	CRANKCASE COVER..B-7	FRAME COVER....F-10	FUEL TANK.....F-5	OIL PUMP.....B-9	SEAT.....F-8	TAIL LAMP.....E-10
CARBURETOR.....C-2	CRANKSHAFT.....B-10	FR BRAKE HOSE..G-10	GEAR SHIFTING..D-5	OPTICAL.....H-14	SIGNAL GENERATOR..E-4	TRANSMISSION....D-3
CARBURETOR FIT..C-4	CYLINDER.....B-4	FR CALIPERS....G-9	HANDLE SWITCH..G-8	REAR CALIPER....H-6	SPEEDOMETER.....E-7	TURNSIGNAL LAMP..E-9
CLUTCH.....D-2	CYLINDER HEAD....B-3	FR DAMPER.....G-2	HANDLEBAR.....G-7	RR CUSHION LEVER..H-3	STAND.....F-3	WIRING HARNESS..E-11

FIG.47

G - 12

FIG.47 ( G-12) CLUTCH MASTER CYLINDER

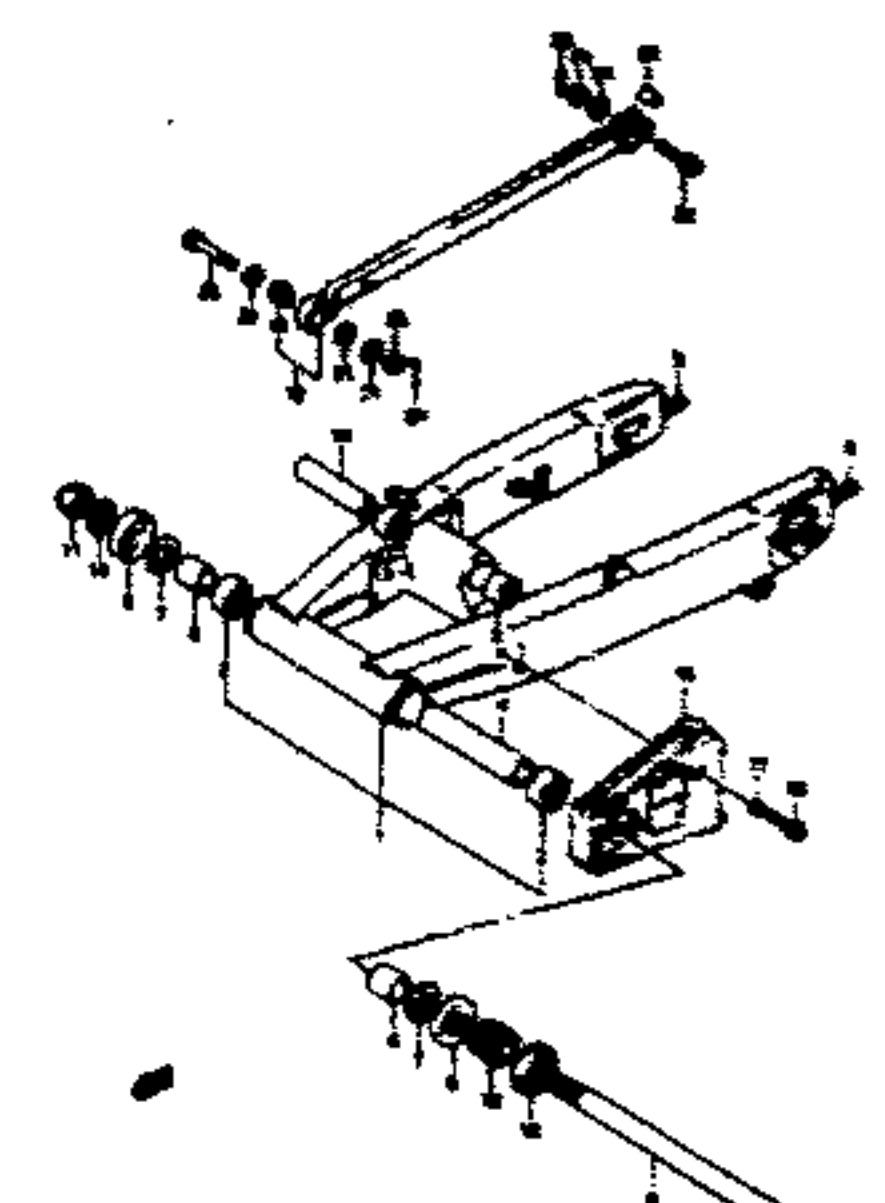
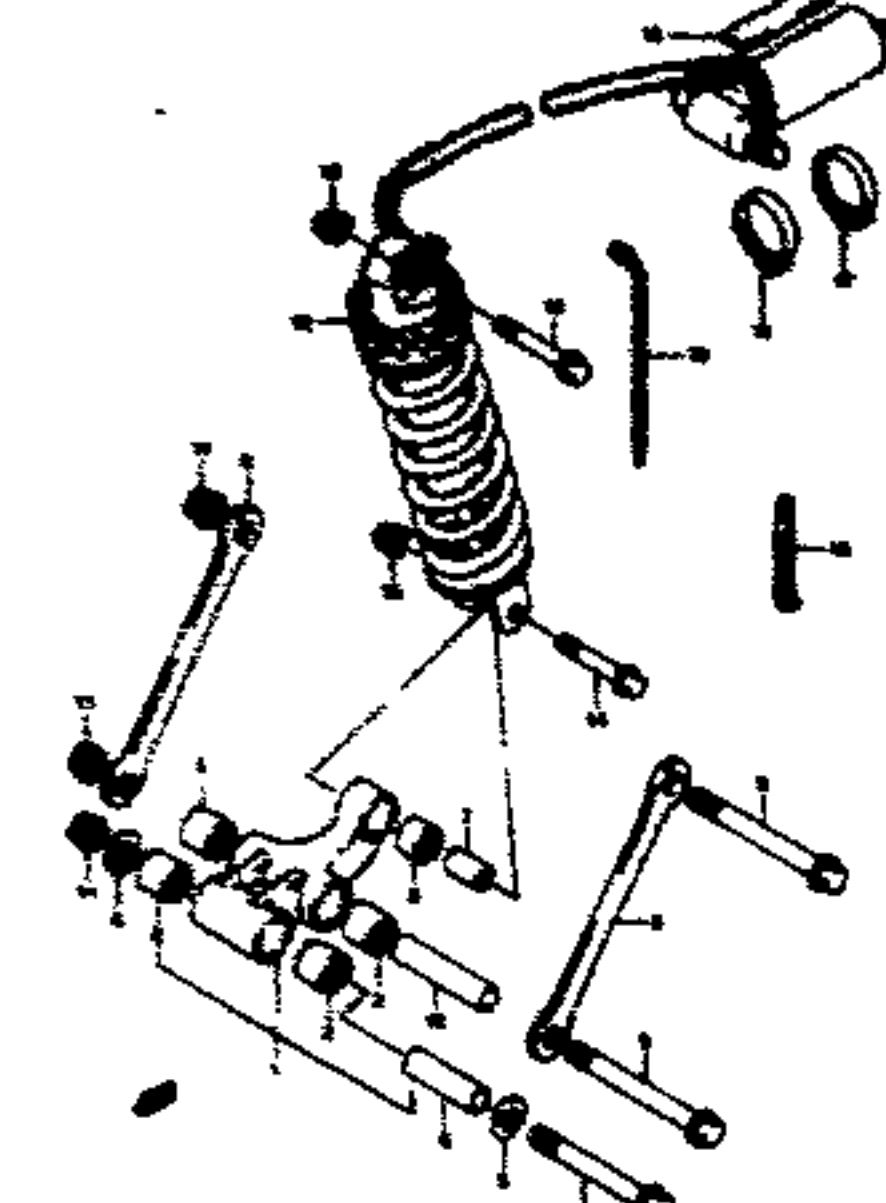
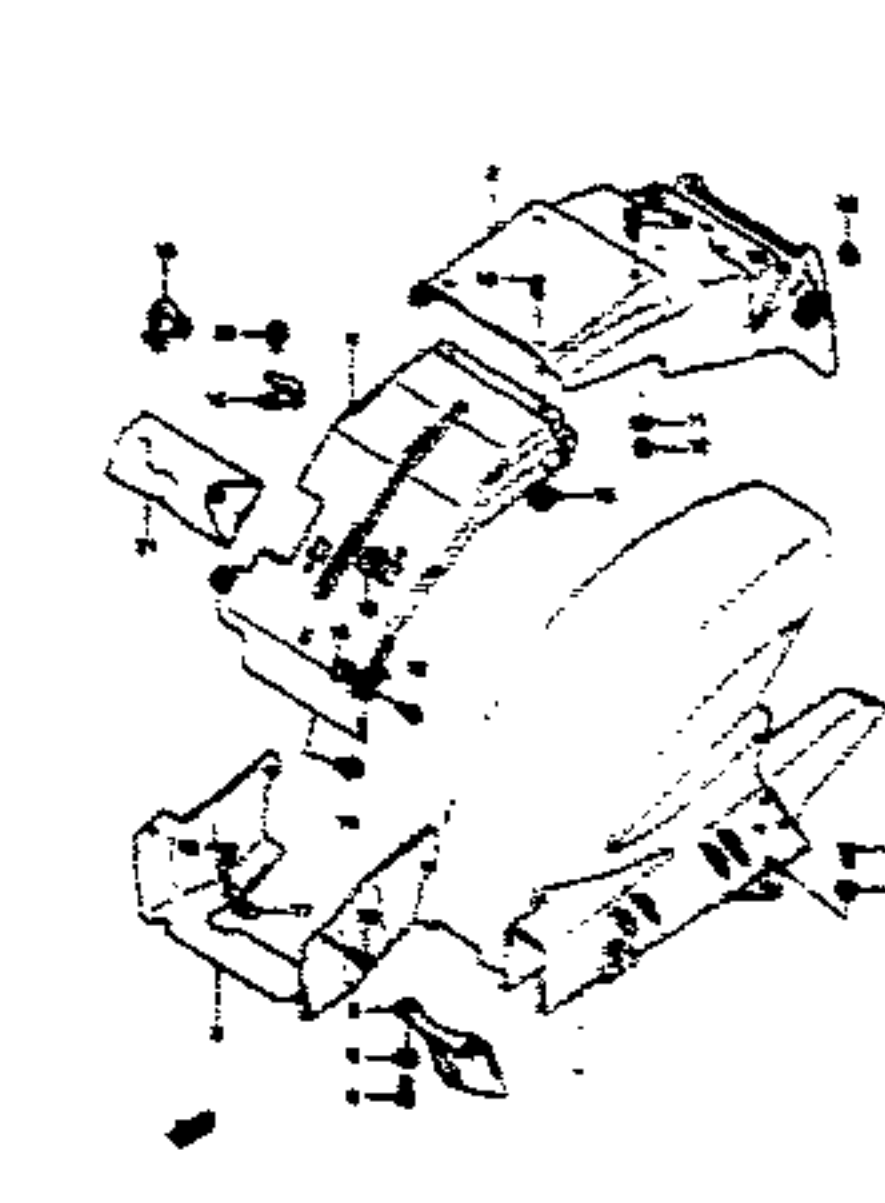
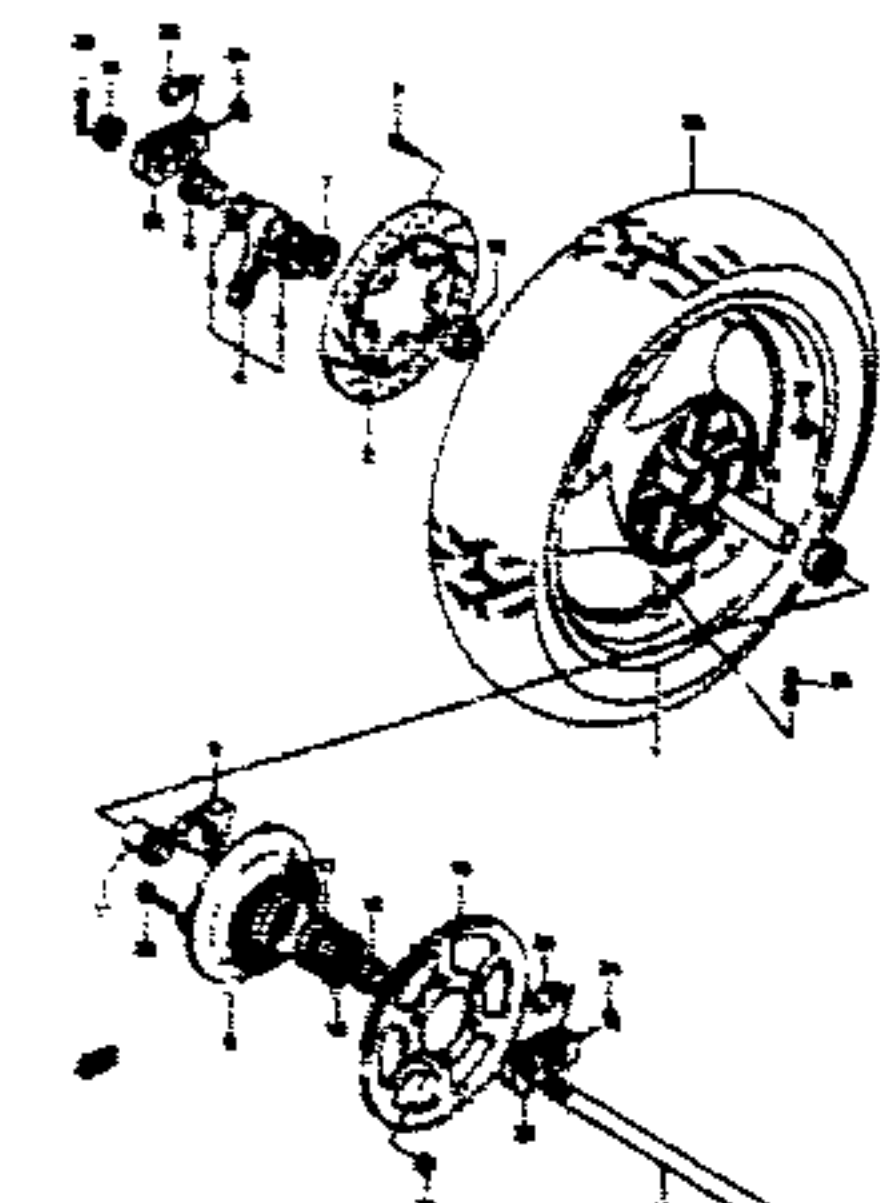
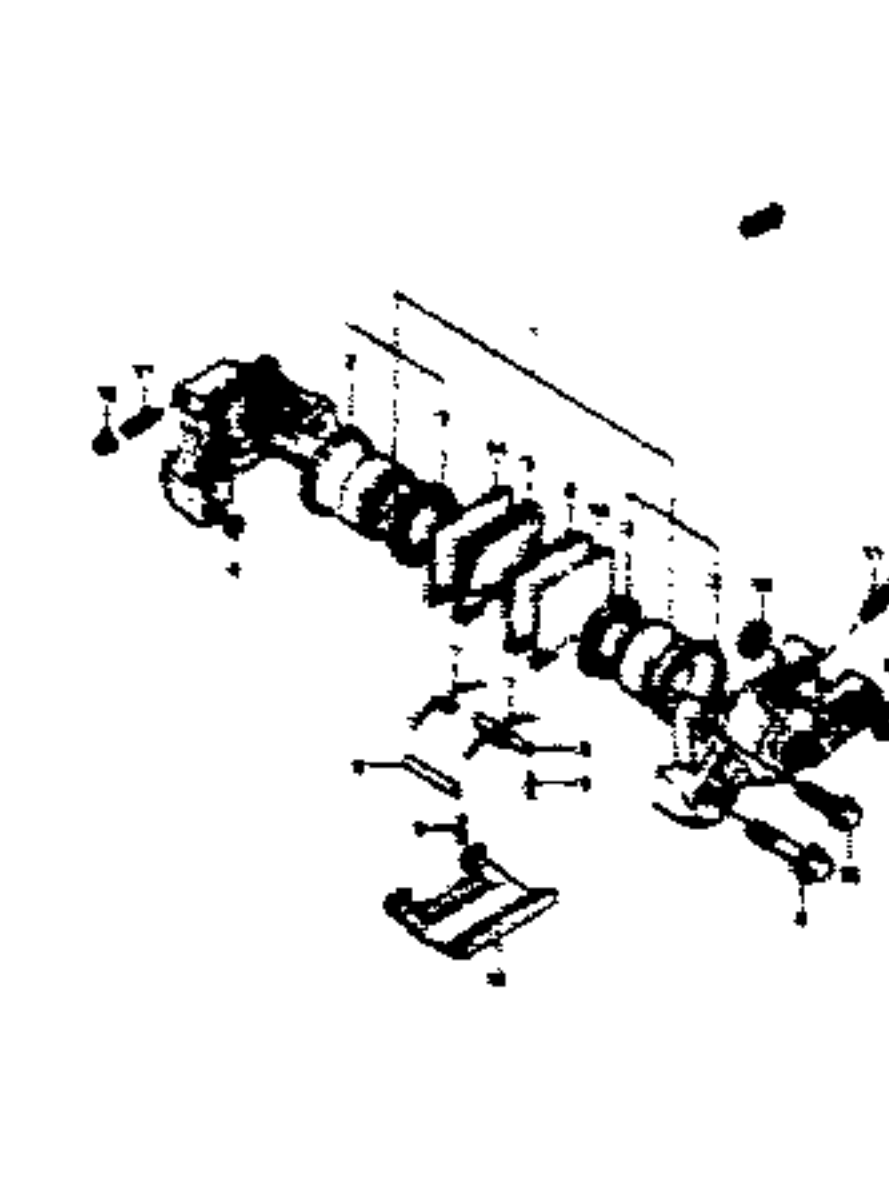
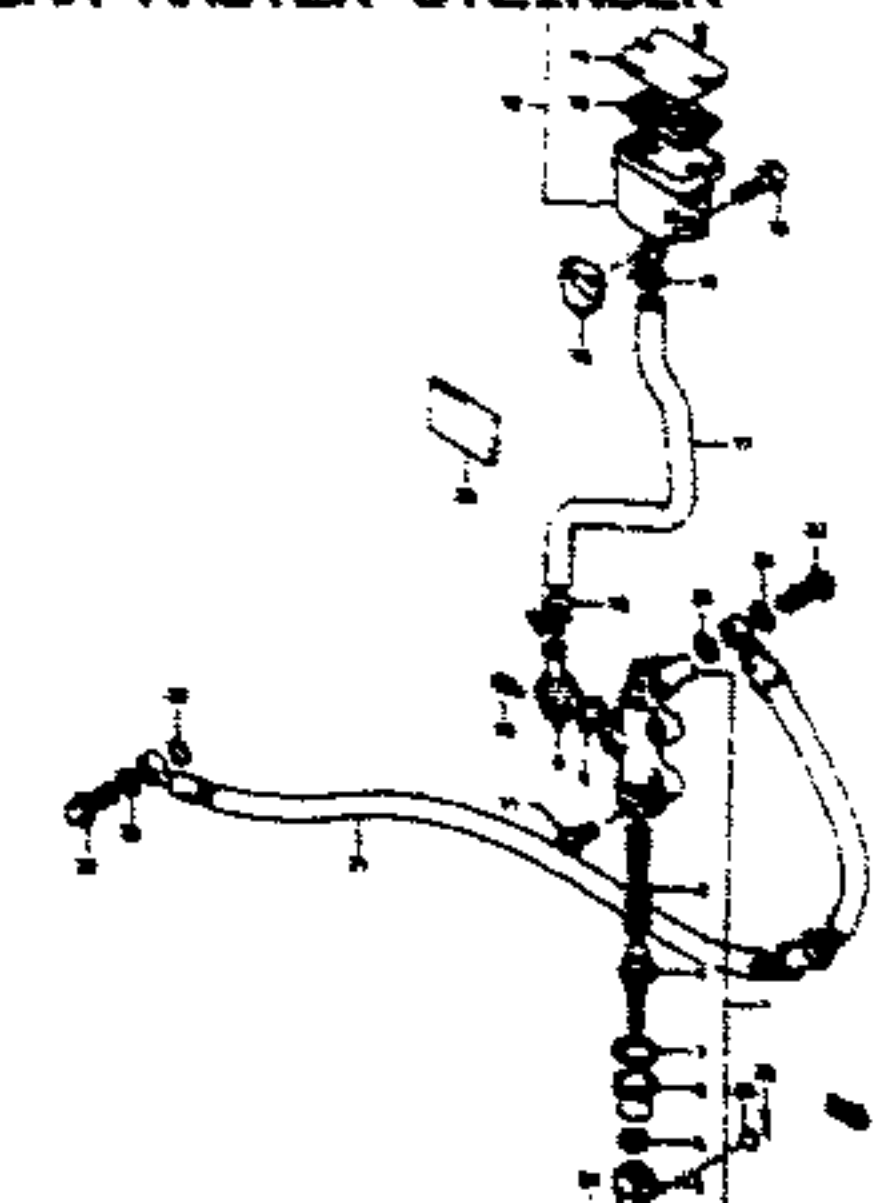
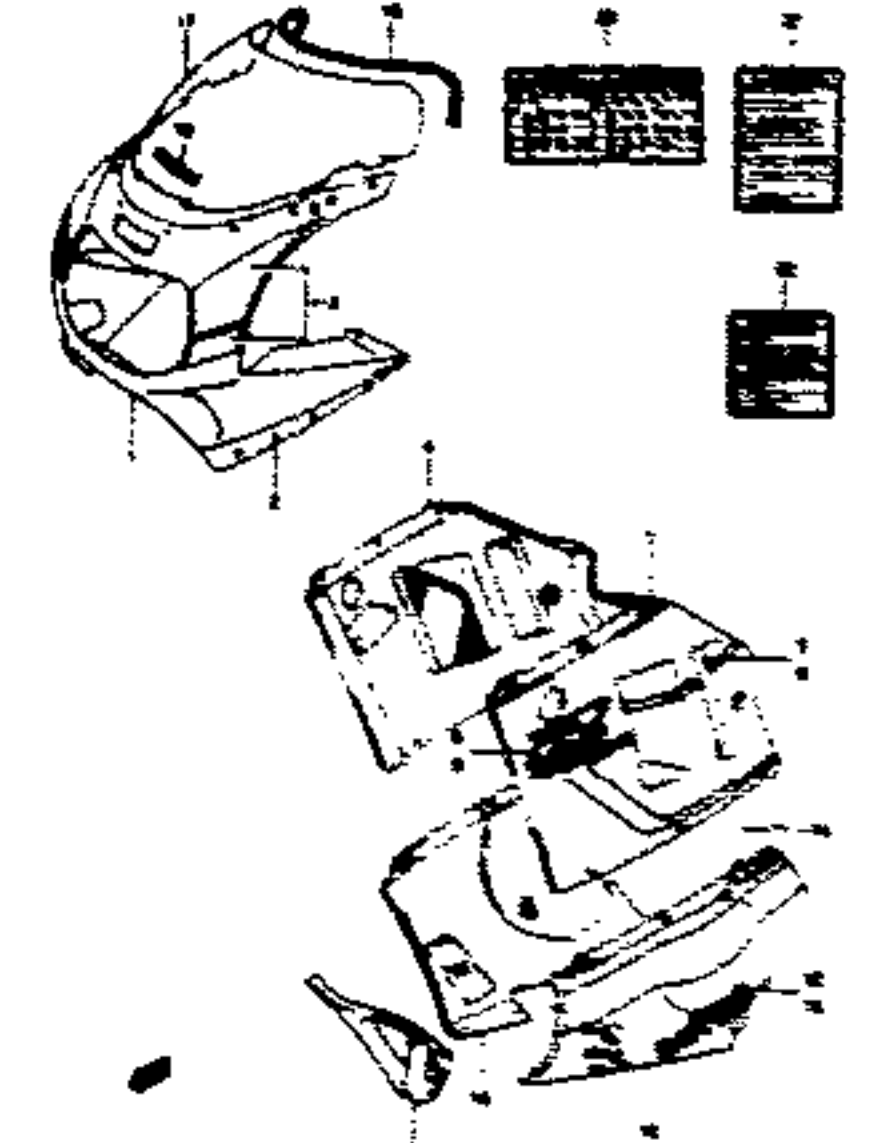
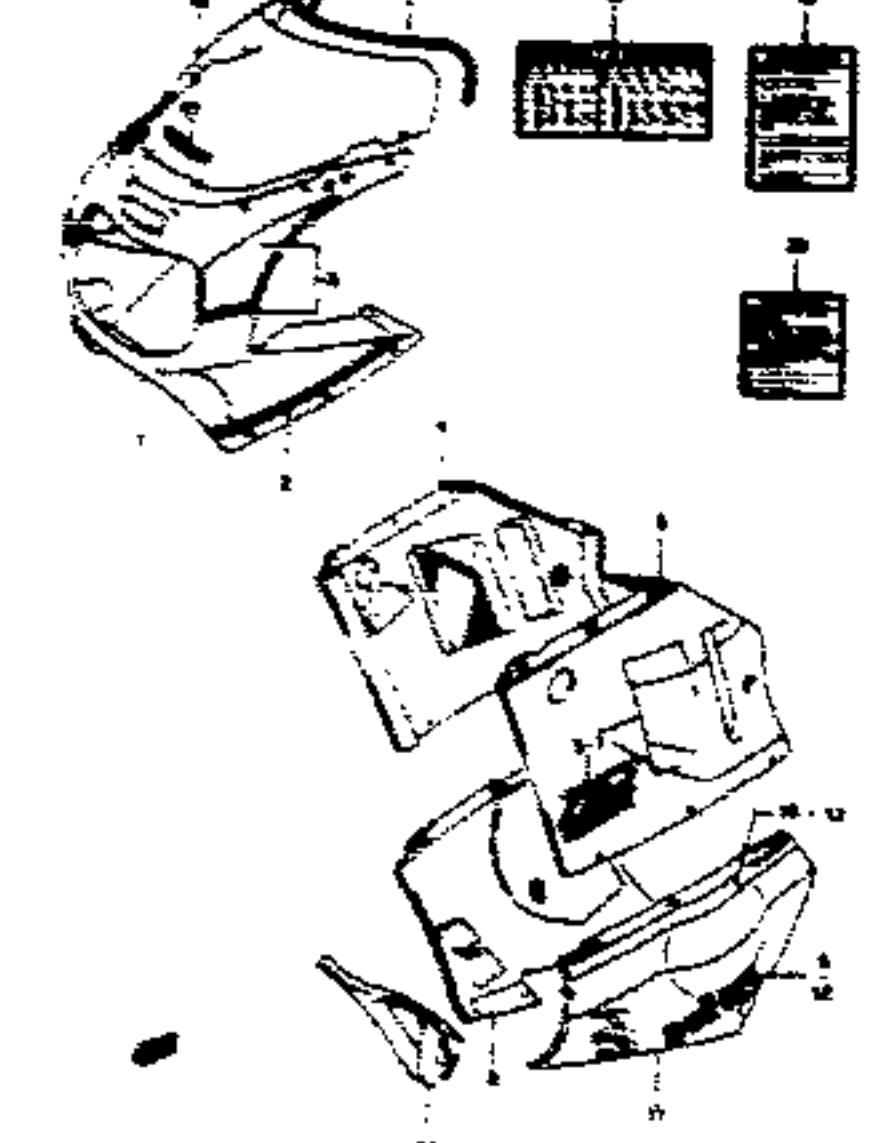
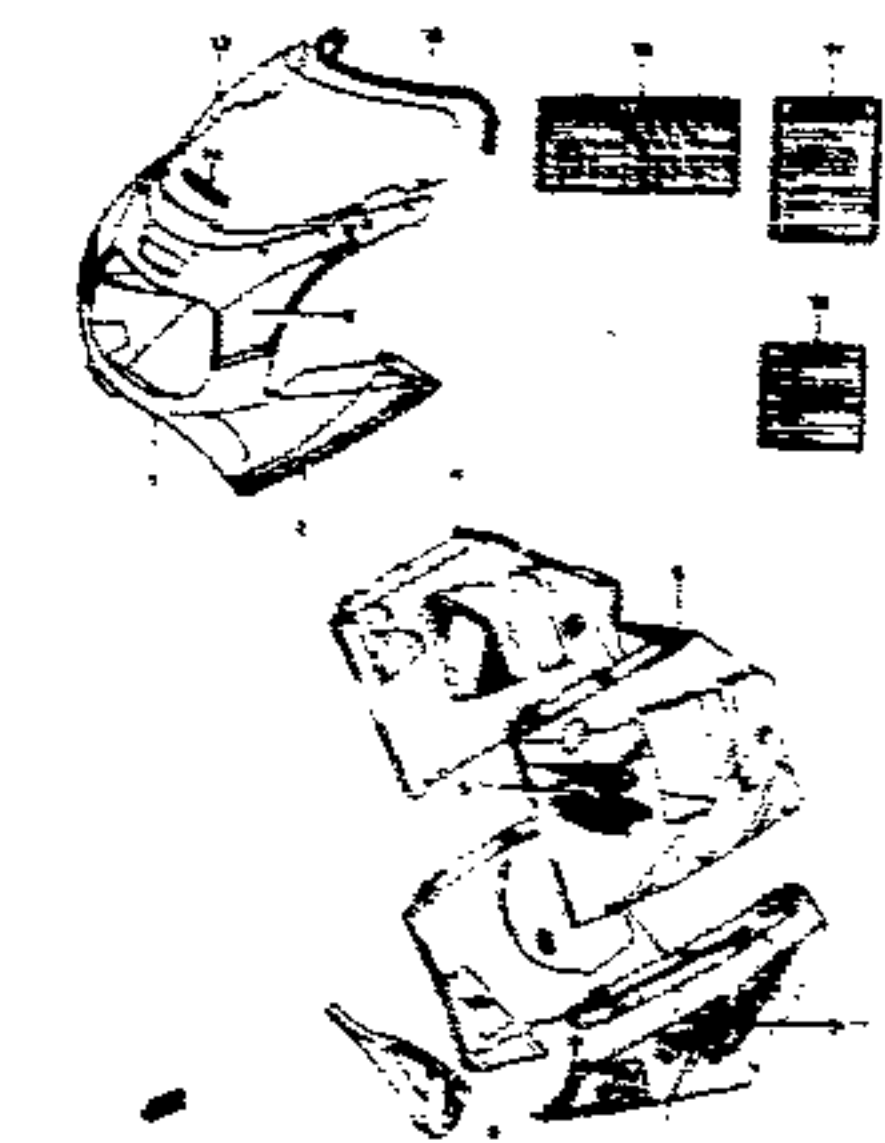
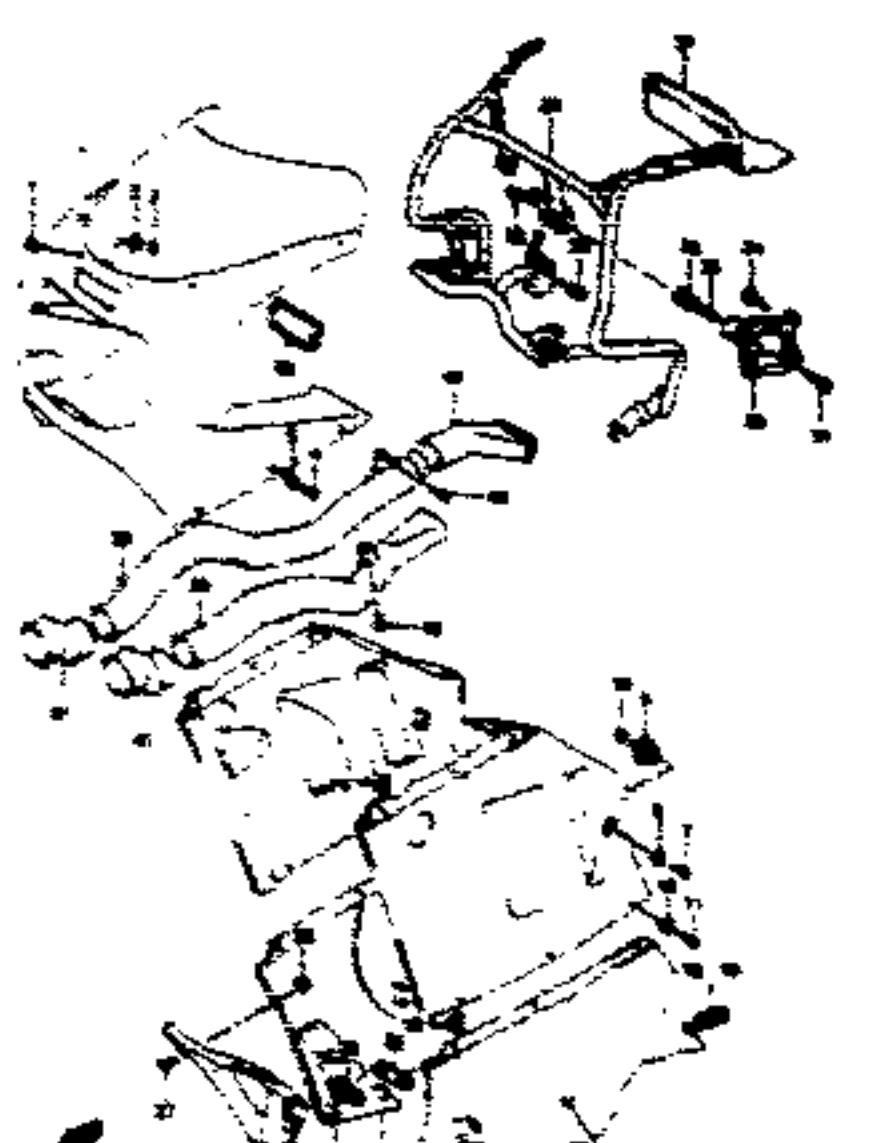
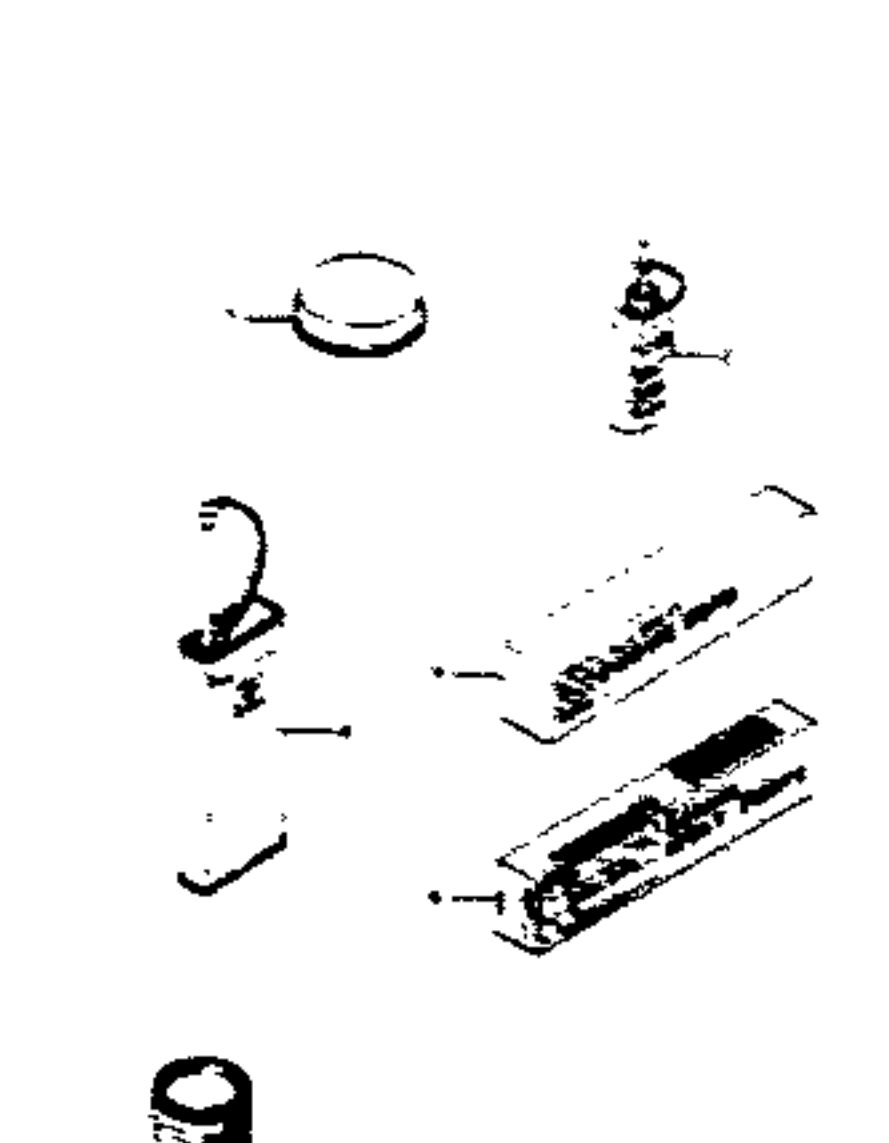


REF.NO.	PART NO.	DESCRIPTION	Q'TY	REMARKS
1	59800-41C00	CYLINDER ASSY, clutch master	1	
2	59800-08810	.PISTON & CUP SET	1	
3	59666-44300	..BOOT	1	
4	59871-08A00	.PUSH ROD	1	
5	59892-08A00	.BUSH	1	
6	59667-49460	.DIAPHRAGM	1	
7	59669-41C00	.CAP	1	
8	69689-49300	.SCREW	2	
9	59671-19800	.HOLDER	1	
10	59675-17C00	.BOLT	2	
11	59664-48800	.PROTECTOR	1	
12	59668-41C00	.PLATE	1	
13	09360-10017	BOLT	2	
14	09161-10009	WASHER	4	
15	59910-41C00	HOSE, clutch	1	
16	02112-05105	SCREW	2	

GSX-R1100N E28

GSX-R1100N E28

AIR CLEANER.....C-5	CLUTCH MASTER CYL.G-12	CYL HEAD COVER.B-2	FR FENDER.....G-5	HEADLAMP.....E-8	RR FENDER.....H-4	STARTER CLUTCH..B-11
ALTERNATOR.....E-3	COSLING BODY.....H-8	ELECTRICAL.....E-6	FR MASTER CYL.G-11	MUFFLER.....C-6	RR MASTER CYL....H-7	STARTING MOTOR..E-2
BATTERY.....E-5	COWLING FIT SET...H-12	FOOTREST.....F-4	FR WHEEL.....G-6	OIL COOLER.....C-7	RR SWINGING ARM..H-2	STEERING DAMPER.G-4
CAM CHAIN.....B-14	CRANKCASE.....B-5	FRAME.....F-2	FUEL COCK.....F-7	OIL PAN.....B-8	RR WHEEL.....H-5	STEERING STEM...G-3
CAM SHAFT.....B-12	CRANKCASE COVER..B-7	FRAME COVER...F-10	FUEL TANK.....F-5	OIL PUMP.....B-9	SEAT.....F-8	TAIL LAMP.....E-10
CARBURETOR.....C-2	CRANKSHAFT.....B-10	FR BRAKE HOSE..G-10	GEAR SHIFTING.D-5	OPTIONAL.....H-14	SIGNAL GENERATOR.E-4	TRANSMISSION....D-3
CARBURETOR FIT.C-4	CYLINDER.....B-4	FR CALIPERS...G-9	HANDLE SWITCH.G-8	REAR CALIPER....H-6	SPEEDOMETER.....E-7	TURNSIGNAL LAMP.E-9
CLUTCH.....D-2	CYLINDER HEAD...B-3	FR DAMPER.....G-2	HANDLEBAR.....G-7	RR CUSHION LEVER.H-3	STAND.....F-3	WIRING HARNESS..E-11

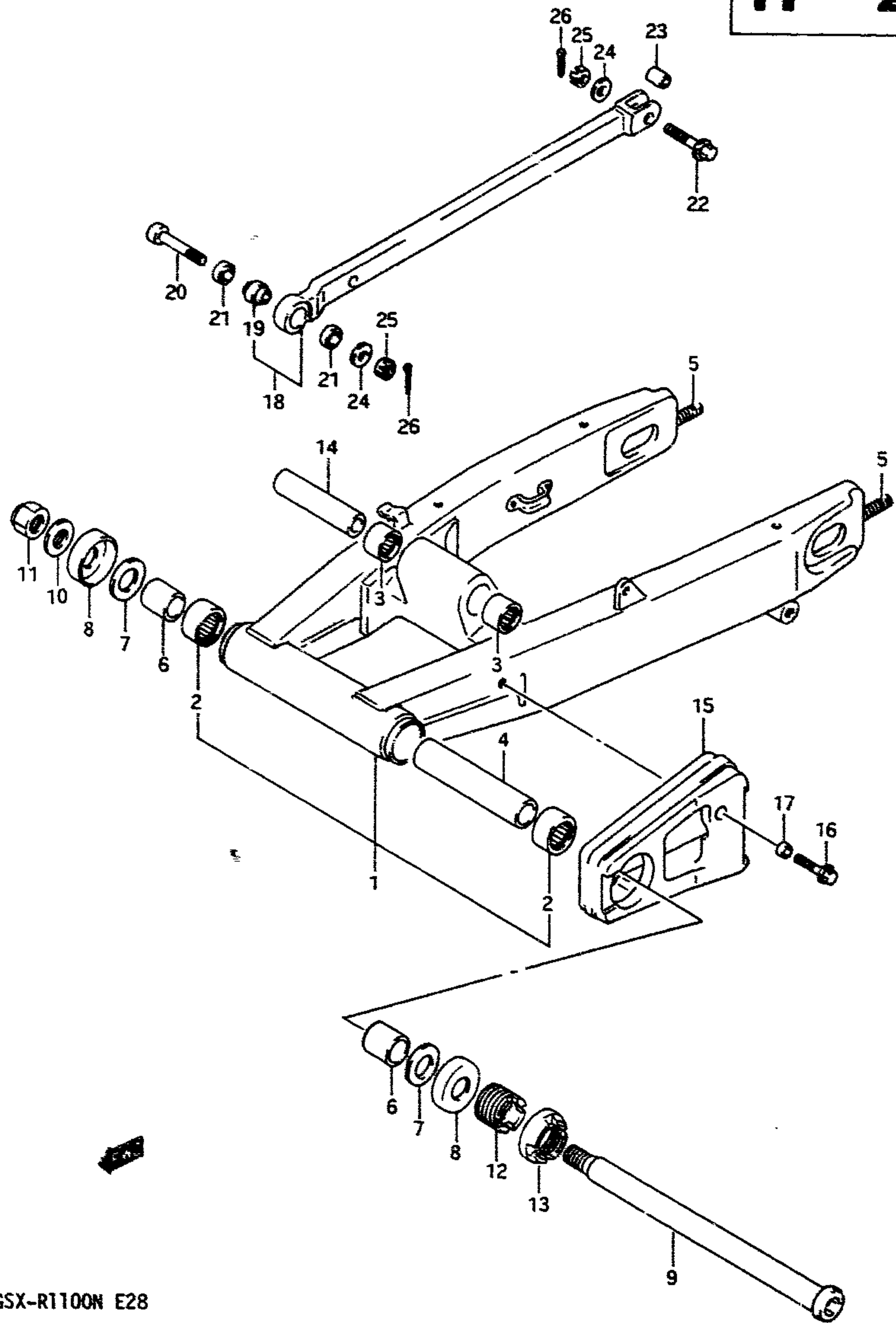
<p>REAR SWINGING ARM H-2</p> 	<p>REAR CUSHION LEVER H-3</p> 	<p>REAR FENDER H-4</p> 	<p>REAR WHEEL H-5</p> 	<p>REAR CALIPER H-6</p> 	<p>REAR MASTER CYLINDER H-7</p> 
<p>COWLING BODY (model M 3SL) H-8</p> 	<p>COWLING BODY (model M 3EE) H-9</p> 	<p>COWLING BODY (model N) H-10</p> 	<p>COWLING FITTING SET H-12</p> 	<p>OPTIONAL H-14</p> 	

AIR CLEANER.....C-5	CLUTCH MASTER CYL.....G-12	CYL HEAD COVER.....B-2	FR FENDER.....G-5	HEADLAMP.....E-8	RR FENDER.....H-4	STARTER CLUTCH.....B-11
ALTERNATOR.....E-3	COWLING BODY.....H-8	ELECTRICAL.....E-6	FR MASTER CYL.....G-11	MUFFLER.....C-6	RR MASTER CYL.....H-7	STARTING MOTOR.....E-2
BATTERY.....E-5	COWLING FIT SET.....H-12	FOOTREST.....F-4	FR WHEEL.....G-6	OIL COOLER.....C-7	RR SWINGING ARM.....H-2	STEERING DAMPER.....G-4
CAM CHAIN.....B-14	CRANKCASE.....B-5	FRAME.....F-2	FUEL COCK.....F-7	OIL PAN.....B-8	RR WHEEL.....H-5	STEERING STEM.....G-3
CAM SHAFT.....B-12	CRANKCASE COVER.....B-7	FRAME COVER.....F-10	FUEL TANK.....F-3	OIL PUMP.....B-9	SEAT.....F-8	TAIL LAMP.....E-10
CARBURETOR.....C-2	CRANKSHAFT.....B-10	FR BRAKE HOSE.....G-10	GEAR SHIFTING.....D-5	OPTIONAL.....H-14	SIGNAL GENERATOR.....E-4	TRANSMISSION.....D-3
CARBURETOR FIT.....C-4	CYLINDER.....B-4	FR CALIPERS.....G-9	HANDLE SWITCH.....G-8	REAR CALIPER.....H-6	SPEEDOMETER.....E-7	TURN SIGNAL LAMP.....E-9
CLUTCH.....D-2	CYLINDER HEAD.....B-3	FR DAMPER.....G-2	HANDLEBAR.....G-7	RR CUSHION LEVER.....H-3	STAND.....F-3	WIRING HARNESS.....E-11

FIG. 48

**H - 2**

FIG. 48 ( H- 2) REAR SWINGING ARM



REF.NO.	PART NO.	DESCRIPTION	Q'TY	REMARKS
1	61000-40C10	SWINGING ARM ASSY, rear	1	
2	09263-25024	.BEARING, pivot	2	
3	09263-20071	.BEARING	2	
4	61282-17C00	.SPACER, center	1	
5	61431-40C00	.STUD BOLT, chain adjuster	2	
6	61251-17C00	SPACER, bearing	2	
7-1	08211-20381	WASHER, thrust (T:1)	0-2	
7-2	08211-20382	WASHER, thrust (T:1.5)	0-2	
8	61262-17C00	SEAL, dust	2	
9	61211-40C00	SHAFT, pivot	1	
10	08322-11188	WASHER	1	
11	09159-18007	NUT	1	
12	61213-40C30	BOLT, pivot	1	
13	61214-40C30	NUT, pivot	1	
14	62317-40C10	SPACER, lever	1	
15	61273-40C00	BUFFER, chain touch defence	1	
16	09116-06111	BOLT	1	
17	09180-06002	SPACER	1	
18	64300-40820	TORQUELINK SET, rear	1	
19	64352-40411	.BEARING	1	
20	09106-08048	BOLT, front	1	
21	64339-40410	SEAL, dust	2	
22	09103-08160	BOLT, rear	1	
23	64336-20A00	SPACER, rear	1	
24	08322-11088	WASHER	2	
25	08314-41088	NUT	2	
26	04111-20208	PIN, cotter	2	

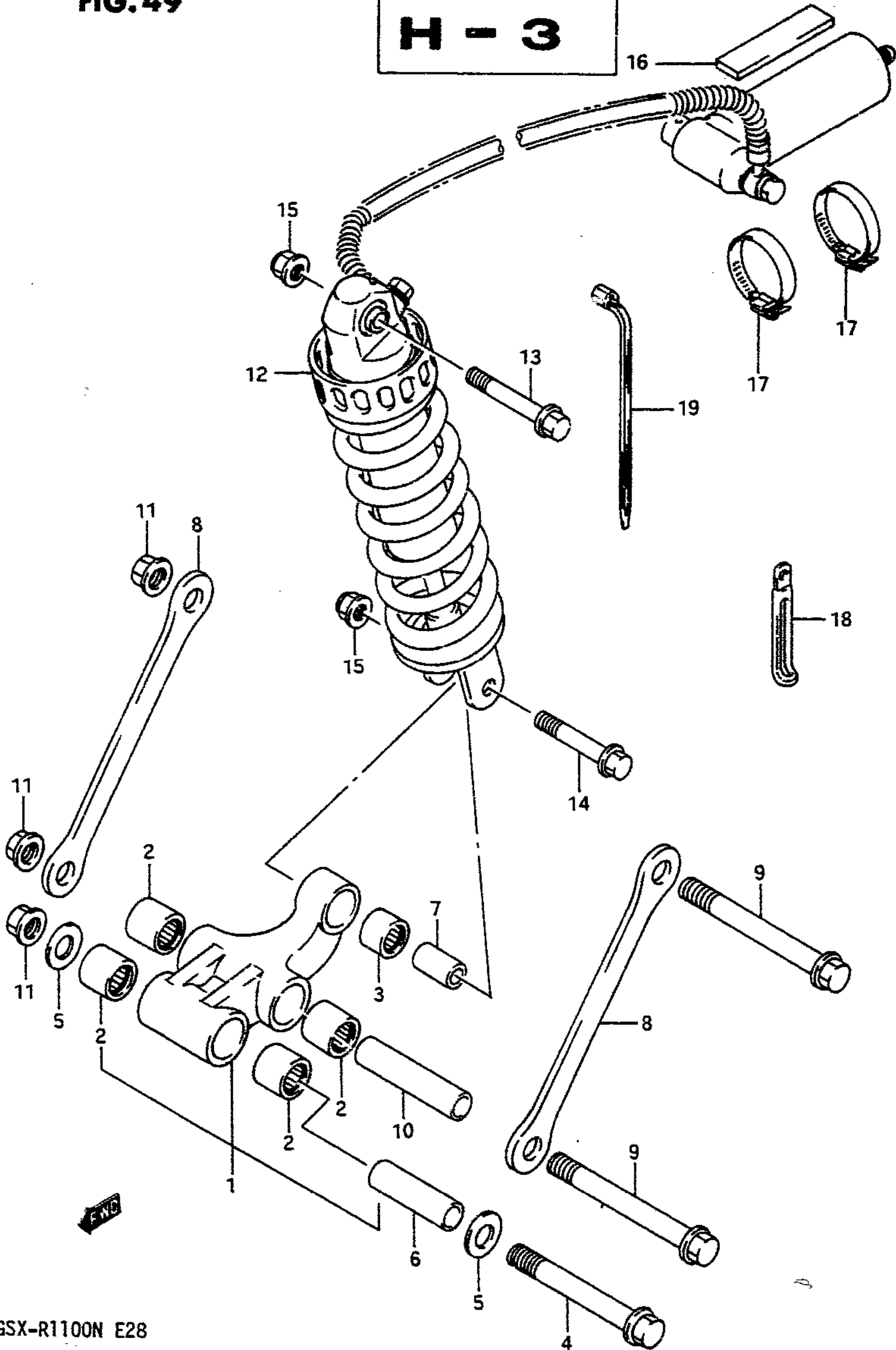
GSX-R1100N E28

GSX-R1100N E28

AIR CLEANER.....C-5	CLUTCH MASTER CYL.....G-12	CYL HEAD COVER.....B-2	FR FENDER.....G-5	HEADLAMP.....E-8	RR FENDER.....H-4	STARTER CLUTCH.....B-11
ALTERNATOR.....E-3	COSLING BODY.....H-8	ELECTRICAL.....E-6	FR MASTER CYL.....G-11	MUFFLER.....C-6	RR MASTER CYL.....H-7	STARTING MOTOR.....E-2
BATTERY.....E-5	COMLING FIT SET.....H-12	FOOTREST.....F-4	FR WHEEL.....G-6	OIL COOLER.....C-7	RR SWINGING ARM.....H-2	STEERING DAMPER.....G-4
CAM CHAIN.....B-14	CRANKCASE.....B-5	FRAME.....F-2	FUEL COCK.....F-7	OIL PAN.....B-8	RR WHEEL.....H-5	STEERING STEM.....G-3
CAM SHAFT.....B-12	CRANKCASE COVER.....B-7	FRAME COVER.....F-10	FUEL TANK.....F-5	OIL PUMP.....B-9	SEAT.....F-8	TAIL LAMP.....E-10
CARBURETOR.....C-2	CRANKSHAFT.....B-10	FR BRAKE HOSE.....G-10	GEAR SHIFTING.....D-5	OPTIONAL.....H-14	SIGNAL GENERATOR.....E-4	TRANSMISSION.....D-3
CARBURETOR FIT.....C-4	CYLINDER.....B-4	FR CALIPERS.....G-9	HANDLE SWITCH.....G-8	REAR CALIPER.....H-6	SPEEDOMETER.....E-7	TURNSIGNAL LAMP.....E-9
CLUTCH.....D-2	CYLINDER HEAD.....B-3	FR DAMPER.....G-2	HANDLEBAR.....G-7	RR CUSHION LEVER.....H-3	STAND.....F-3	WIRING HARNESS.....E-11

FIG. 49

H-3



GSX-R1100N E28

FIG. 49 ( H- 3) REAR CUSHION LEVER

REF.NO.	PART NO.	DESCRIPTION	Q'TY	REMARKS
1	62600-40830	LEVER SET, rear cushion	1	
2	09263-20071	.BEARING	4	
3	09263-17034	.BEARING	1	
4	62621-17C00	SHAFT, front	1	
5	08211-14323	WASHER	2	
6	62317-17C00	SPACER, front	1	
7	62684-40A10	SPACER, rear	1	
8	62641-40C10	ROD, rear cushion	2	
9	62658-40C10	SHAFT, red	2	
10	62317-40C10	SPACER, red	1	
11	08319-31148	NUT	3	
12	62100-41C10	ABSORBER ASSY, rear shock	1	
13	62311-08300	BOLT, upper	1	
14	09103-10050	BOLT, lower	1	
15	08319-31107	NUT	2	
16	62331-07D00	CUSHION, tank	1	
17	09402-43501	CLAMP, tank	2	
18	09404-06404	CLAMP, hose	1	
19	09407-18402	CLAMP	2	

GSX-R1100N E28

AIR CLEANER.....C-5	CLUTCH MASTER CYL..G-12	CYL. HEAD COVER..B-2	FR FENDER.....G-5	HEADLAMP.....E-8	RR FENDER.....H-4	STARTER CLUTCH..B-11
ALTERNATOR.....E-3	COSLING BODY.....H-8	ELECTRICAL.....E-6	FR MASTER CYL..G-11	MUFFLER.....C-6	RR MASTER CYL....H-7	STARTING MOTOR..E-2
BATTERY.....E-5	COWLING FIT SET...H-12	FOOTREST.....F-4	FR WHEEL.....G-6	OIL COOLER.....C-7	RR SWINGING ARM..H-2	STEERING DAMPER..G-4
CAM CHAIN.....B-14	CRANKCASE.....B-5	FRAME.....F-2	FUEL COCK.....F-7	OIL PAN.....B-8	RR WHEEL.....H-5	STEERING STEM...G-3
CAM SHAFT.....B-12	CRANKCASE COVER...B-7	FRAME COVER....F-10	FUEL TANK.....F-5	OIL PUMP.....B-9	SEAT.....F-8	TAIL LAMP.....E-10
CARBURETOR.....C-2	CRANKSHAFT.....B-10	FR BRAKE HOSE..G-10	GEAR SHIFTING..D-5	OPTIONAL.....H-14	SIGNAL GENERATOR..E-4	TRANSMISSION....D-3
CARBURETOR FIT..C-4	CYLINDER.....B-4	FR CALIPERS....G-9	HANDLE SWITCH..G-8	REAR CALIPER....H-6	SPEEDOMETER.....E-7	URNSIGNAL LAMP..E-9
CLUTCH.....D-2	CYLINDER HEAD....B-3	FR DAMPER.....G-2	HANDLEBAR.....G-7	RR CUSHION LEVER..H-3	STAND.....F-3	WIRING HARNESS..E-11

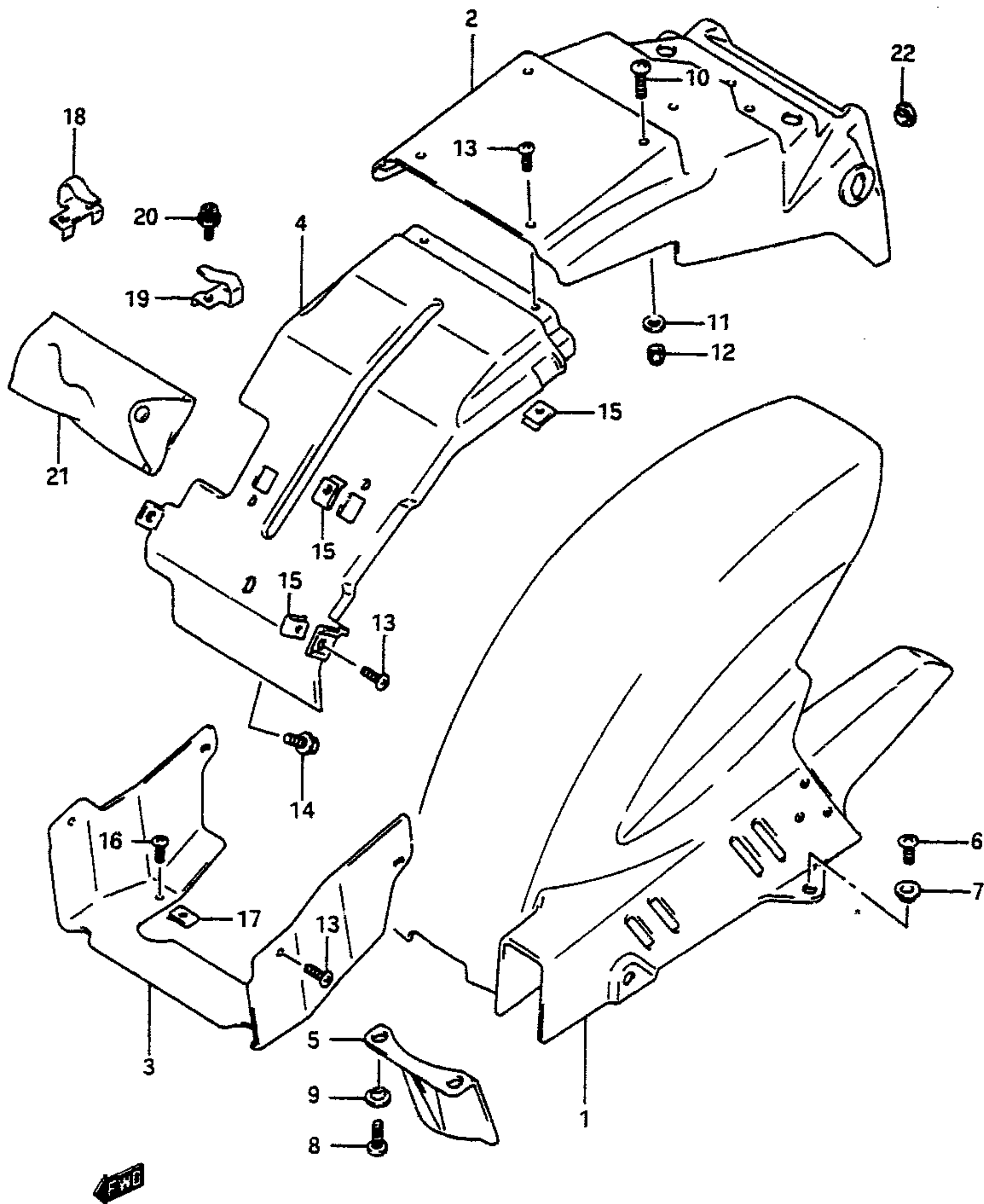
FIG. 50

**H - 4**

FIG. 50 ( H- 4) REAR FENDER

Q'TY

REMARKS



REF.NO.	PART NO.	DESCRIPTION	Q'TY	REMARKS
1	63110-40C00	FENDER, rear lower	1	
2	63112-40C00	FENDER, rear upper	1	
3	63113-40C00	FENDER, rear upper front	1	
4	63114-17C00	FENDER, rear upper front	1	
5	63411-42A00	MUD GUARD, rear unit	1	
6	02142-06104	SCREW, lower	4	
7	09169-06060	WASHER	4	
8	02142-06167	SCREW, mud guard	2	
9	09169-06025	WASHER	2	
10	02142-06164	SCREW, upper	2	
11	09160-06006	WASHER	2	
12	08319-21066	NUT	2	
13	02142-05124	SCREW, upper front	6	
14	01517-06105	BOLT	1	
15	94484-32B00	NUT	6	
16	02142-05124	SCREW, electric	1	
17	94484-32B00	NUT	1	
18	95721-18D00	HOLDER, helmet RH	1	
19	95731-18D00	HOLDER, helmet LH	1	
20-1	07120-06125	BOLT	2	model M
20-2	01107-06125	BOLT	2	model N
21	09800-20032	TOOL ASSY	1	
22	09250-08007	CAP	2	

GSX-R1100N E28

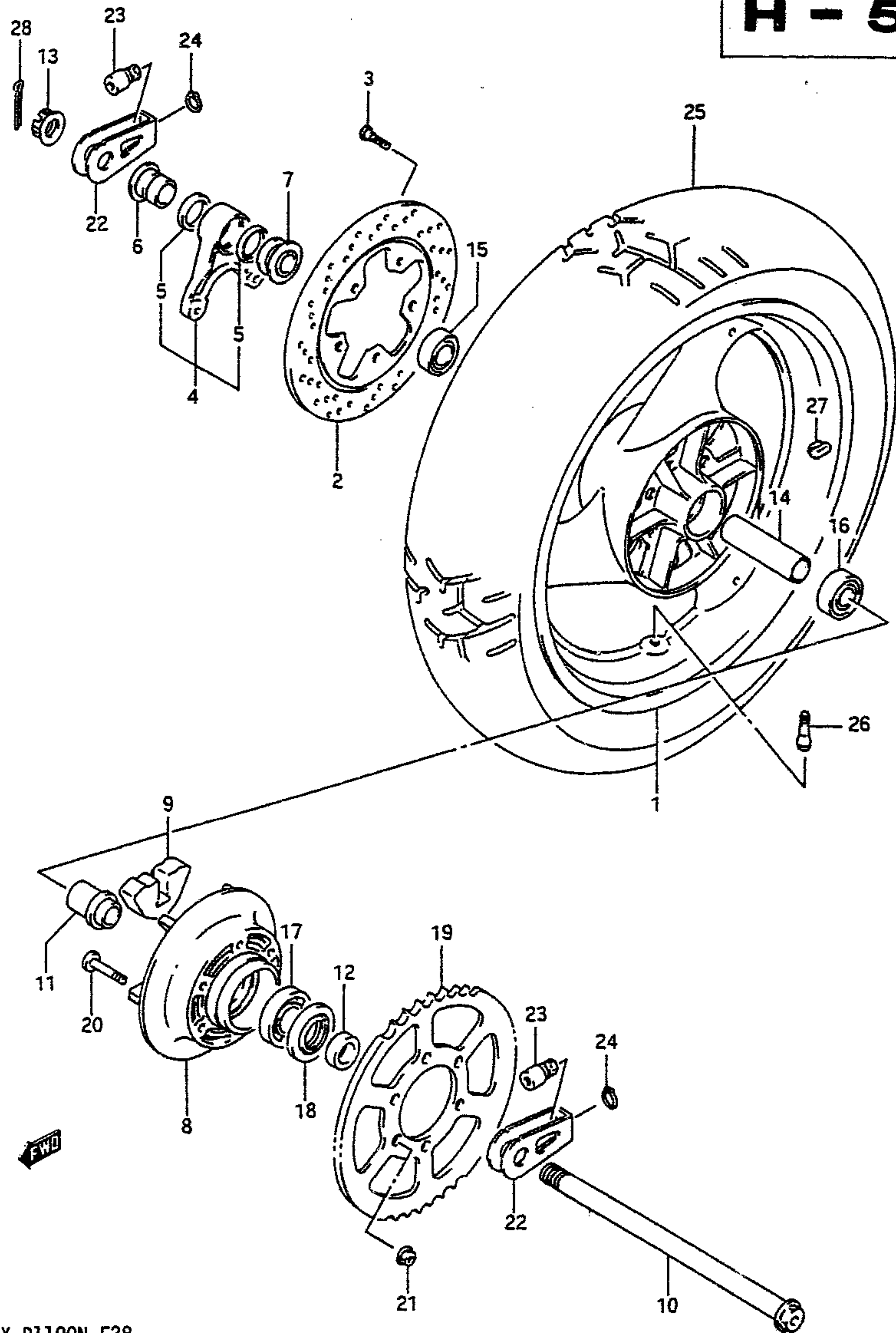
GSX-R1100N E28

AIR CLEANER.....C-5	CLUTCH MASTER CYL.....G-12	CYL HEAD COVER.....B-2	FR FENDER.....G-5	HEADLAMP.....E-8	RR FENDER.....H-4	STARTER CLUTCH.....B-11
ALTERNATOR.....E-3	COSLING BODY.....H-8	ELECTRICAL.....E-6	FR MASTER CYL.....G-11	MUFFLER.....C-6	RR MASTER CYL.....H-7	STARTING MOTOR.....E-2
BATTERY.....E-5	COWLING FIT SET.....H-12	FOOTREST.....F-4	FR WHEEL.....G-6	OIL COOLER.....C-7	RR SWINGING ARM.....H-2	STEERING DAMPER.....G-4
CAM CHAIN.....B-14	CRANKCASE.....B-5	FRAME.....F-2	FUEL COCK.....F-7	OIL PAN.....B-8	RR WHEEL.....H-5	STEERING STEM.....G-3
CAM SHAFT.....B-12	CRANKCASE COVER.....B-7	FRAME COVER.....F-10	FUEL TANK.....F-5	OIL PUMP.....B-9	SEAT.....F-8	TAIL LAMP.....E-10
CARBURETOR.....C-2	CRANKSHAFT.....B-10	FR BRAKE HOSE.....G-10	GEAR SHIFTING.....D-5	OPTIONAL.....H-14	SIGNAL GENERATOR.....E-4	TRANSMISSION.....D-3
CARBURETOR FIT.....C-4	CYLINDER.....B-4	FR CALIPERS.....G-9	HANDLE SWITCH.....G-8	REAR CALIPER.....H-6	SPEEDOMETER.....E-7	URNSIGNAL LAMP.....E-9
CLUTCH.....D-2	CYLINDER HEAD.....B-3	FR DAMPER.....G-2	HANDLEBAR.....G-7	RR CUSHION LEVER.....H-3	STAND.....F-3	WIRING HARNESS.....E-11

FIG. 51

H-5

FIG. 51 ( H- 5) REAR WHEEL



REF.NO.	PART NO.	DESCRIPTION	Q'TY	REMARKS
1-1	64111-07000-28W	WHEEL, rear (17xMT5.50) White	1	for 3SL
1-2	64111-07000-12R	WHEEL, rear (17xMT5.50) Silver	1	for 3EE,M01
1-3	64111-07000-1MJ	WHEEL, rear (17xMT5.50) Blue	1	for L99
1-4	64111-07800-1DR	WHEEL, rear (17xMT5.50) Purple	1	for 3WC
2	69211-17C00	DISC, rear brake	1	
3	09106-08062	BOLT	5	
4	69720-17C00	BRACKET, rear calipers	1	
5	09285-28002	.OIL SEAL	2	
6	69412-27A00	SPACER, caliper bracket	1	
7	64740-48B00	SPACER, RH	1	
8	64611-40C00	DRUM, sprocket	1	
9	64651-31001	SHOCK ABSORBER, drum	6	
10	64711-40C10	AXLE, rear	1	
11	64733-48B00	RETAINER, drum	1	
12	64751-40C00	SPACER, LH	1	
13	09141-20004	NUT	1	
14	64731-40C00	SPACER, bearing	1	
15	09262-20114	BEARING, RH	1	
16	09262-20042	BEARING, LH	1	
17	09262-25073	BEARING, drum	1	
18	09285-35001	OIL SEAL	1	
19	64511-40C01	SPROCKET, rear (NT:48)	1	
20	09119-10060	BOLT	6	
21	08319-31107	NUT	6	
22	61411-40C00	ADJUSTER, chain	2	
23	61415-40C00	NUT, adjuster	2	
24	08331-31136	CIRCLIP	2	
25	65110-41C00	TIRE, rear (180/55 ZR17) (DUNLOP)	1	
26	43130-24A00	VALVE	1	
27-1	55411-00A00	BALANCER (10g)	0-3	
27-2	55412-00A00	BALANCER (20g)	0-3	
27-3	55413-00A00	BALANCER (30g)	0-3	
28	04111-40408	PIN, cotter	1	

GSX-R1100N E28

GSX-R1100N E28

AIR CLEANER.....C-5	CLUTCH MASTER CYL.....G-12	CYL HEAD COVER.....B-2	FR FENDER.....G-5	HEADLAMP.....E-8	RR FENDER.....H-4	STARTER CLUTCH.....B-11
ALTERNATOR.....E-3	COSLING BODY.....H-8	ELECTRICAL.....E-6	FR MASTER CYL.....G-11	MUFFLER.....C-6	RR MASTER CYL.....H-7	STARTING MOTOR.....E-2
BATTERY.....E-5	COWLING FIT SET.....H-12	FOOTREST.....F-4	FR WHEEL.....G-6	OIL COOLER.....C-7	RR SWINGING ARM.....H-2	STEERING DAMPER.....G-4
CAM CHAIN.....B-14	CRANKCASE.....B-5	FRAME.....F-2	FUEL COCK.....F-7	OIL PAN.....B-8	RR WHEEL.....H-5	STEERING STEM.....G-3
CAM SHAFT.....B-12	CRANKCASE COVER.....B-7	FRAME COVER.....F-10	FUEL TANK.....F-5	OIL PUMP.....B-9	SEAT.....F-8	TAIL LAMP.....E-10
CARBURETOR.....C-2	CRANKSHAFT.....B-10	FR BRAKE HOSE.....G-10	GEAR SHIFTING.....D-5	OPTIONAL.....H-14	SIGNAL GENERATOR.....E-4	TRANSMISSION.....D-3
CARBURETOR FIT.....C-4	CYLINDER.....B-4	FR CALIPERS.....G-9	HANDLE SWITCH.....G-8	REAR CALIPER.....H-6	SPEEDOMETER.....E-7	TURN SIGNAL LAMP.....E-9
CLUTCH.....D-2	CYLINDER HEAD.....B-3	FR DAMPER.....G-2	HANDLEBAR.....G-7	RR CUSHION LEVER.....H-3	STAND.....F-3	WIRING HARNESS.....E-11

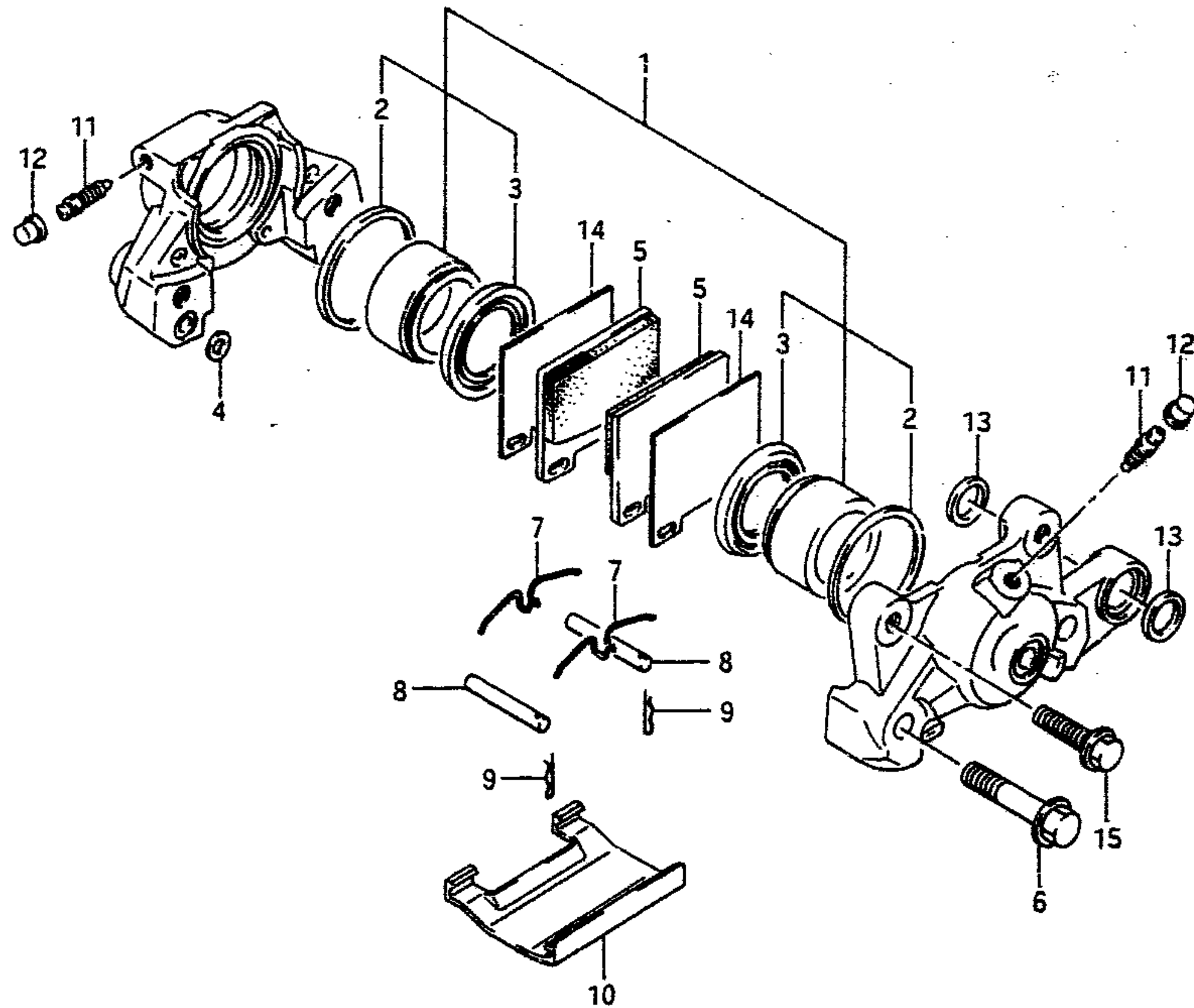


FIG.52

H - 6

60

FIG.52 ( H- 6) REAR CALIPER



REF.NO.	PART NO.	DESCRIPTION	Q'TY	REMARKS
	69100-17C00	CALIPER ASSY, rear	1	
1	69100-17830	.PISTON SET	1	
2	59107-18410	..SEAL	2	
3	59108-16700	..BOOT	2	
4	69107-34200	..SEAL	1	
5	69130-06800	.PAD	2	
6	59145-17C00	.BOLT	2	
7	59143-16700	.SPRING	2	
8	69141-45000	.PIN	2	
9	69142-45000	.CLIP	2	
10	59151-16701	.COVER	1	
11	59121-18410	.BLEEDER	2	
12	59122-18410	.CAP	2	
13	62647-04A00	.DUST SEAL	2	
14	59371-33410	.SHIM	2	
15	01517-08304	BOLT	2	

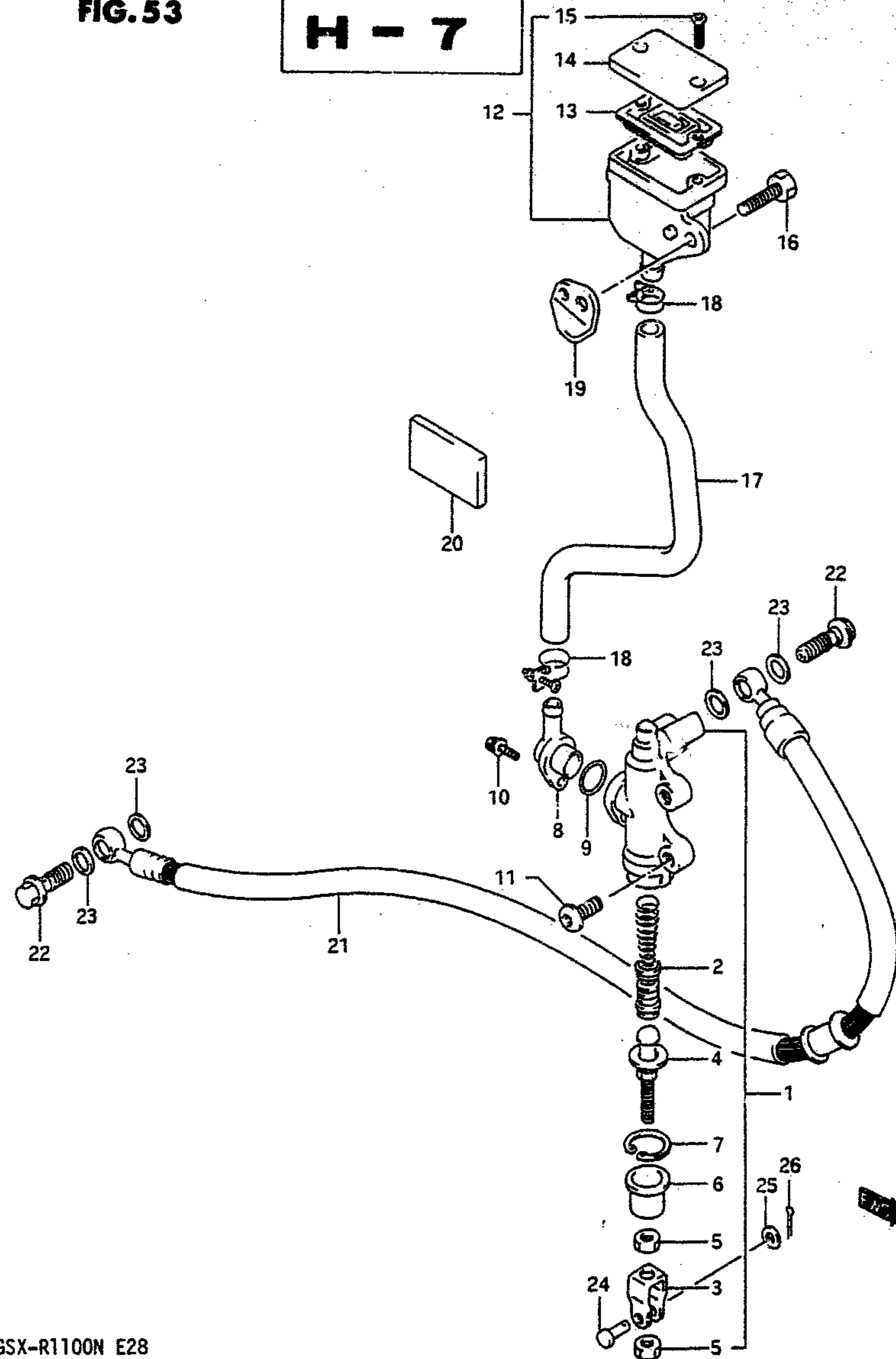
GSX-R1100N E28

GSX-R1100N E28

AIR CLEANER.....C-5	CLUTCH MASTER CYL..G-12	CYL HEAD COVER..B-2	FR FENDER.....G-5	HEADLAMP.....E-8	RR FENDER.....H-4	STARTER CLUTCH..B-11
ALTERNATOR.....E-3	COSLING BODY.....H-8	ELECTRICAL.....E-6	FR MASTER CYL..G-11	MUFFLER.....C-6	RR MASTER CYL...H-7	STARTING MOTOR..E-2
BATTERY.....E-5	COWLING FIT SET...H-12	FOOTREST.....F-4	FR WHEEL.....G-5	OIL COOLER.....C-7	RR SWINGING ARM..H-2	STEERING DAMPER..G-4
CAM CHAIN.....B-14	CRANKCASE.....B-5	FRAME.....F-2	FUEL COCK.....F-7	OIL PAN.....B-8	RR WHEEL.....H-5	STEERING STEM...G-3
CAM SHAFT.....B-12	CRANKCASE COVER..B-7	FRAME COVER...F-10	FUEL TANK.....F-5	OIL PUMP.....B-9	SEAT.....F-8	TAIL LAMP.....E-10
CARBURETOR.....C-2	CRANKSHAFT.....B-10	FR BRAKE HOSE..G-10	GEAR SHIFTING..D-5	OPTIONAL.....H-14	SIGNAL GENERATOR..E-4	TRANSMISSION....D-3
CARBURETOR FIT..C-4	CYLINDER.....B-4	FR CALIPERS....G-9	HANDLE SWITCH..G-8	REAR CALIPER....H-6	SPEEDOMETER.....E-7	URNSIGNAL LAMP..E-9
CLUTCH.....D-2	CYLINDER HEAD...B-3	FR DAMPER.....G-2	HANDLEBAR.....G-7	RR CUSHION LEVER..H-3	STAND.....F-3	WIRING HARNESS..E-11

FIG.53

H-7



GSX-R1100N E28

61

FIG.53 ( H- 7) REAR MASTER CYLINDER

REF.NO.	PART NO.	DESCRIPTION	Q'TY	REMARKS
1	69600-17C01	CYLINDER ASSY, rear master (white)	1	
2	69600-16820	.PISTON / CAP SET	1	
3	69692-27A30	.YOKE	1	
4	69670-48B00	.ROD, push	1	
5	69693-05A00	.NUT	2	
6	69691-00A00	.BOOT	1	
7	51162-70040	.CIRCLIP	1	
8	69672-05A00	.CONNECTOR	1	
9	69686-34200	.O RING	1	
10	02112-74125	.SCREW	1	
11	09139-08009	BOLT (8x22)	2	
12	69740-38B20	TANK ASSY, rear reservoir	1	
13	59667-04700	.DIAPHRAGM	1	
14	69669-24A01	.CAP	1	
15	69689-04A00	.SCREW	2	
16	01107-06257	BOLT	1	
17	69731-17C10	HOSE, reservoir	1	
18	09400-16302	CLAMP	2	
19	69751-17C00	BRACKET, tank rear	1	
20	69732-17C01	CUSHION, hose side	1	
21	69480-41C10	HOSE, rear brake	1	
22	09360-10017	BOLT	2	
23	09161-10009	WASHER (10x15x1.5)	4	
24	09200-06037	PIN	1	
25	08322-21067	WASHER	1	
26	04111-20158	PIN, cotter	1	

GSX-R1100N E28

AIR CLEANER.....C-5	CLUTCH MASTER CYL..G-12	CYL HEAD COVER..B-2	FR FENDER.....G-5	HEADLAMP.....E-8	RR FENDER.....H-4	STARTER CLUTCH..B-11
ALTERNATOR.....E-3	COSLING BODY.....H-8	ELECTRICAL.....E-6	FR MASTER CYL..G-11	MUFFLER.....C-6	RR MASTER CYL....H-7	STARTING MOTOR..E-2
BATTERY.....E-5	COWLING FIT SET..H-12	FOOTREST.....F-4	FR WHEEL.....G-6	OIL COOLER.....C-7	RR SWINGING ARM..H-2	STEERING DAMPER..G-4
CAM CHAIN.....B-14	CRANKCASE.....B-5	FRAME.....F-2	FUEL COCK.....F-7	OIL PAN.....B-8	RR WHEEL.....H-5	STEERING STEM...G-3
CAM SHAFT.....B-12	CRANKCASE COVER..B-7	FRAME COVER....F-10	FUEL TANK.....F-5	OIL PUMP.....B-9	SEAT.....F-8	TAIL LAMP.....E-10
CARBURETOR.....C-2	CRANKSHAFT.....B-10	FR BRAKE HOSE..G-10	GEAR SHIFTING..D-5	OPTIONAL.....H-14	SIGNAL GENERATOR..E-4	TRANSMISSION....D-3
CARBURETOR FIT..C-4	CYLINDER.....B-4	FR CALIPERS....G-9	HANDLE SWITCH..G-8	REAR CALIPER....H-6	SPEEDOMETER.....E-7	TURNSIGNAL LAMP..E-9
CLUTCH.....D-2	CYLINDER HEAD....B-3	FR DAMPER.....G-2	HANDLEBAR.....G-7	RR CUSHION LEVER..H-3	STAND.....F-3	WIRING HARNESS..E-11

FIG. 54

H-8

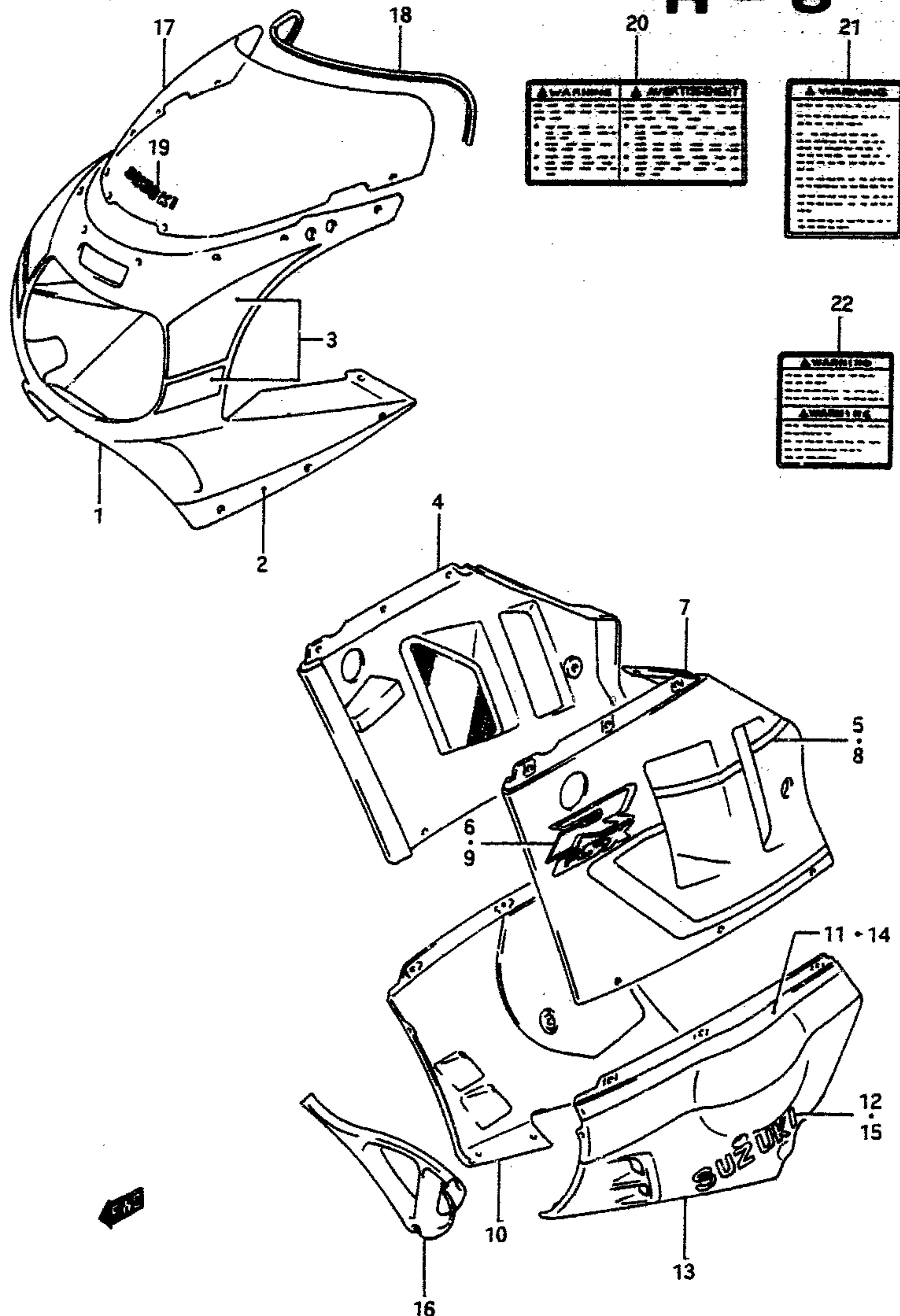


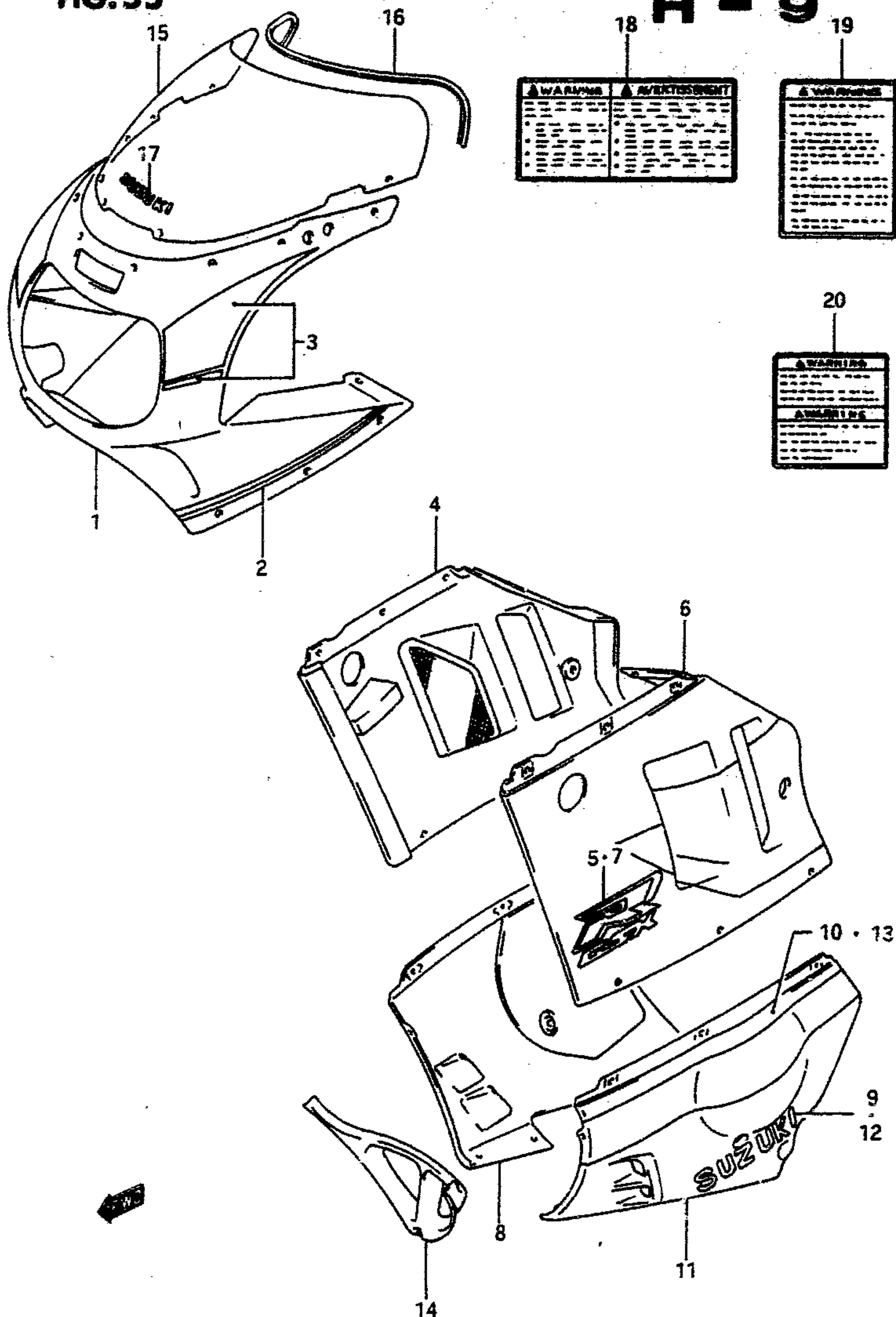
FIG. 54 ( H- 8) COWLING BODY (model M 3SL)

REF.NO.	PART NO.	DESCRIPTION	Q'TY	REMARKS
1	94400-41C70-0JW	BODY ASSY, cowling (white)	1	for 3SL
2	68270-41C00-0NE	.TAPE SET, side	1	
3	68280-41C00-3SR	.TAPE SET, front	1	
4	94430-41C00-3SR	COVER, cowl side RH (Blue/Blue)	1	
5	68680-41C00-0JW	.TAPE SET, side RH	1	
6	68681-33C10-C11	.EMBLEM, side	1	
7	94440-41C00-3SR	COVER, cowl side LH (Blue/Blue)	1	
8	68690-41C00-0JW	.TAPE SET, side LH	1	
9	68681-33C10-C11	.EMBLEM, side	1	
10	94470-41C20-3SL	COWLING, under RH (White/Blue)	1	
11	68185-41C00-0NE	.TAPE, under RH	1	
12	68111-34320-0JW	.EMBLEM, SUZUKI	1	
13	94480-41C20-3SL	COWLING, under LH (White/Blue)	1	
14	68195-41C00-0NE	.TAPE, under LH	1	
15	68111-34320-0JW	.EMBLEM, SUZUKI	1	
16	94498-17D01-0NG	COWLING, under center (Blue)	1	
17	94610-41C00-0JW	SCREEN SET, wind	1	+94610-41C00
18	94631-41C00	.MOLDING, screen	1	->94631-18D00,L:740+660
19	68182-12C00-0JW	.EMBLEM	1	
20	68319-40C10	LABEL, warning safety	1	
21-1	68612-48800	LABEL, warning screen	1	
21-2	68612-48810	LABEL, warning screen (French)	1	
22	68613-40C00	LABEL, warning steering	1	

Refer to FIG.55 (H- 9) for model M 3EE  
 Refer to FIG.55A(H-10) for model N  
 Refer to FIG.56 (H-11) for FITTING SET

AIR CLEANER.....C-5	CLUTCH MASTER CYL.G-12	CYL HEAD COVER.B-2	FR FENDER.....G-5	HEADLAMP.....E-8	RR FENDER.....H-4	STARTER CLUTCH..B-11
ALTERNATOR.....E-3	COSLING BODY.....H-8	ELECTRICAL.....E-6	FR MASTER CYL.G-11	MUFFLER.....C-6	RR MASTER CYL...H-7	STARTING MOTOR..E-2
BATTERY.....E-5	COWLING FIT SET..H-12	FOOTREST.....F-4	FR WHEEL.....G-6	OIL COOLER.....C-7	RR SWINGING ARM..H-2	STEERING DAMPER.G-4
CAM CHAIN.....B-14	CRANKCASE.....B-5	FRAME.....F-2	FUEL COCK.....F-7	OIL PAN.....B-8	RR WHEEL.....H-5	STEERING STEM...G-3
CAM SHAFT.....B-12	CRANKCASE COVER..B-7	FRAME COVER...F-10	FUEL TANK.....F-5	OIL PUMP.....B-9	SEAT.....F-8	TAIL LAMP.....E-10
CARBURETOR.....C-2	CRANKSHAFT.....B-10	FR BRAKE HOSE..G-10	GEAR SHIFTING.D-5	OPTIONAL.....H-14	SIGNAL GENERATOR.E-4	TRANSMISSION....D-3
CARBURETOR FIT.C-4	CYLINDER.....B-4	FR CALIPERS...G-9	HANDLE SWITCH.G-8	REAR CALIPER...H-6	SPEEDOMETER.....E-7	URNSIGNAL LAMP.E-9
CLUTCH.....D-2	CYLINDER HEAD...B-3	FR DAMPER.....G-2	HANDLEBAR.....G-7	RR CUSHION LEVER.H-3	STAND.....F-3	WIRING HARNESS..E-11

FIG. 55



H-9

FIG. 55 ( H- 9) COWLING BODY (model M 3EE)

REF. NO.	PART NO.	DESCRIPTION	Q'TY	REMARKS
1	94400-41C40-33J	BODY ASSY, cowlng (Black)	1	for 3EE
2	68270-41C10-28V	.TAPE SET, side	1	
3	68280-41C00-F75	.TAPE SET, front	1	
4	94430-41C50-3EE	COVER, cowl side RH (Black/Red)	1	
5	68681-33C10-C69	.EMBLEM, side	1	
6	94440-41C50-3EE	COVER, cowl side LH (Black/Red)	1	
7	68681-33C10-C69	.EMBLEM, side	1	
8	94470-41C30-F75	COWLING, under RH (Silver/Red)	1	
9	68111-34320-33J	.EMBLEM, SUZUKI	1	
10	68185-41C10-33J	.TAPE, under RH	1	
11	94480-41C30-F75	COWLING, under LH (Silver/Red)	1	
12	68111-34320-33J	.EMBLEM, SUZUKI	1	
13	68195-41C10-33J	.TAPE, under LH	1	
14	94498-17D01-0FP	COWLING, under center (Silver)	1	
15	94610-41C00-0JW	SCREEN SET, wind	1	+94610-41C00
16	94631-41C00	.MOLDING, screen	1	+94631-18D00,L:740+660
17	68182-12C00-0JW	.EMBLEM	1	
18	68319-40C10	LABEL, warning safety	1	
19-1	68612-48B00	LABEL, warning screen	1	
19-2	68612-48B10	LABEL, warning screen (French)	1	
20	68613-40C00	LABEL, warning steering	1	

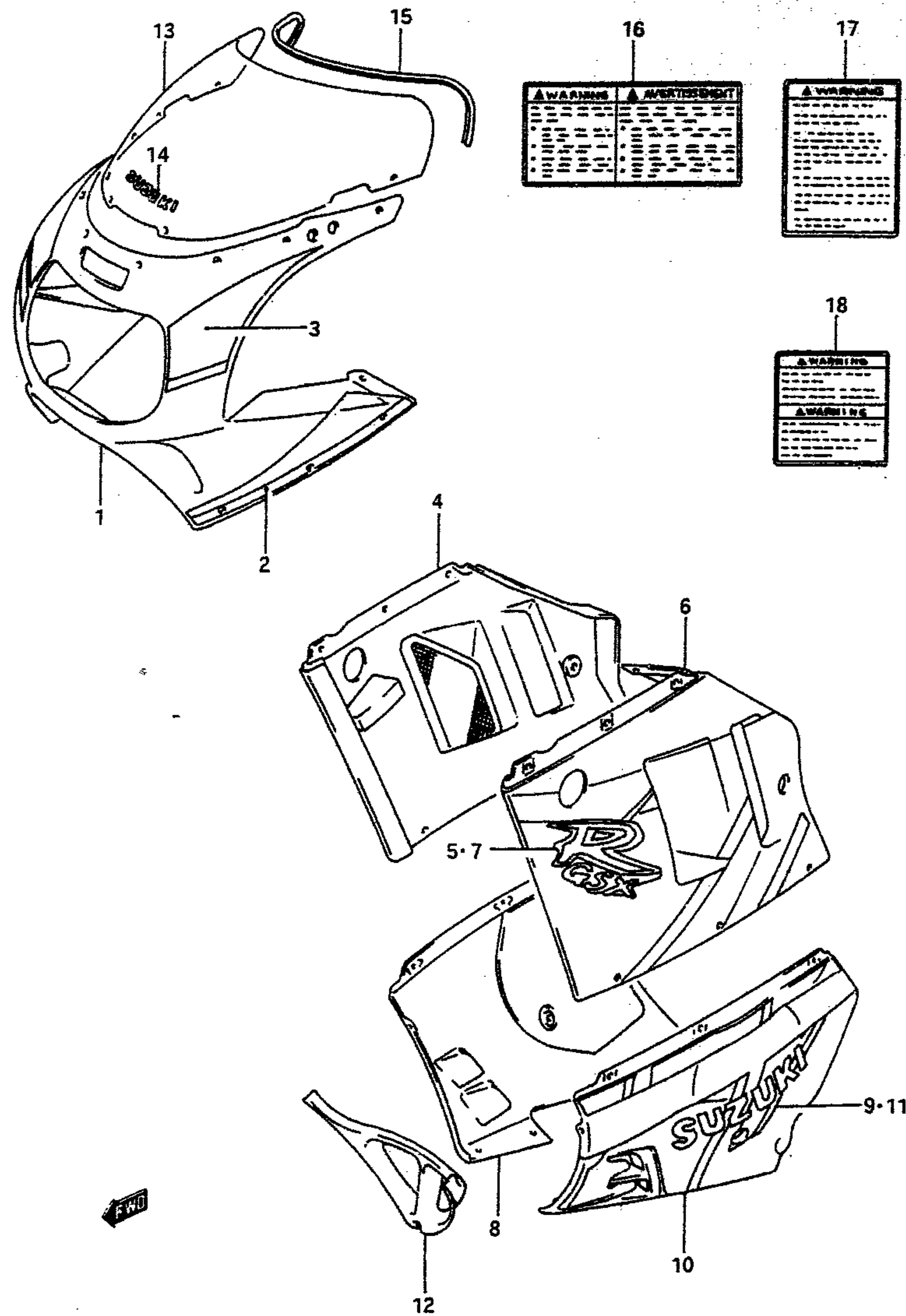
Refer to FIG. 55A(H-10) for model N  
Refer to FIG. 56 (H-11) for FITTING SET

AIR CLEANER.....C-5	CLUTCH MASTER CYL.....G-12	CYL HEAD COVER.....B-2	FR FENDER.....G-5	HEADLAMP.....E-8	RR FENDER.....H-4	STARTER CLUTCH.....B-11
ALTERNATOR.....E-3	COSLING BODY.....H-8	ELECTRICAL.....E-6	FR MASTER CYL.....G-11	MUFFLER.....C-6	RR MASTER CYL.....H-7	STARTING MOTOR.....E-2
BATTERY.....E-5	COWLING FIT SET.....H-12	FOOTREST.....F-4	FR WHEEL.....G-6	OIL COOLER.....C-7	RR SWINGING ARM.....H-2	STEERING DAMPER.....G-4
CAM CHAIN.....B-14	CRANKCASE.....B-5	FRAME.....F-2	FUEL COCK.....F-7	OIL PAN.....B-8	RR WHEEL.....H-5	STEERING STEM.....G-3
CAM SHAFT.....B-12	CRANKCASE COVER.....B-7	FRAME COVER.....F-10	FUEL TANK.....F-5	OIL PUMP.....B-9	SEAT.....F-8	TAIL LAMP.....E-10
CARBURETOR.....C-2	CRANKSHAFT.....B-10	FR BRAKE HOSE.....G-10	GEAR SHIFTING.....D-5	OPTIONAL.....H-14	SIGNAL GENERATOR.....E-4	TRANSMISSION.....D-3
CARBURETOR FIT.....C-4	CYLINDER.....B-4	FR CALIPERS.....G-9	HANDLE SWITCH.....G-8	REAR CALIPER.....H-6	SPEEDOMETER.....E-7	TURNSIGNAL LAMP.....E-9
CLUTCH.....D-2	CYLINDER HEAD.....B-3	FR DAMPER.....G-2	HANDLEBAR.....G-7	RR CUSHION LEVER.....H-3	STAND.....F-3	WIRING HARNESS.....E-11

FIG.55A

H-10

FIG.55A( H-10) COWLING BODY (model N)



REF.NO.	PART NO.	DESCRIPTION	Q'TY	REMARKS
1-1	94400-41C80-L99	BODY ASSY, cowling (Blue/White)	1	for L99
1-2	94400-41C80-E88	BODY ASSY, cowling (Charcoal/Black)	1	for M01
1-3	94400-41C80-3WC	BODY ASSY, cowling (Silver/Black)	1	for 3WC
2-1	68270-41C30-M13	.TAPE SET, side	1	for L99
2-2	68270-41C30-M14	.TAPE SET, side	1	for E88
2-3	68270-41C30-M15	.TAPE SET, side	1	for 3WC
3-1	68280-41C30-M11	.TAPE SET, front	1	for L99
3-2	68280-41C30-M12	.TAPE SET, front	1	for E88
3-3	68280-41C30-M05	.TAPE SET, front	1	for 3WC
4-1	94430-41C80-0JW	COVER, cowling side RH (White)	1	for L99
4-2	94430-41C80-33J	COVER, cowling side RH (Black)	1	for M01
4-3	94430-41C80-36X	COVER, cowling side RH (Black)	1	for 3WC
5-1	68680-41C30-1MM	.TAPE SET, side RH	1	for 0JW
5-2	68680-41C30-1MN	.TAPE SET, side RH	1	for 33J
5-3	68680-41C30-1MP	.TAPE SET, side RH	1	for 36X
6-1	94440-41C80-0JW	COVER, cowling side LH (White)	1	for L99
6-2	94440-41C80-33J	COVER, cowling side LH (Black)	1	for M01
6-3	94440-41C80-36X	COVER, cowling side LH (Black)	1	for 3WC
7-1	68690-41C30-1MM	.TAPE SET, side LH	1	for 0JW
7-2	68690-41C30-1MN	.TAPE SET, side LH	1	for 33J
7-3	68690-41C30-1MP	.TAPE SET, side LH	1	for 36X

GSX-R1100N E28

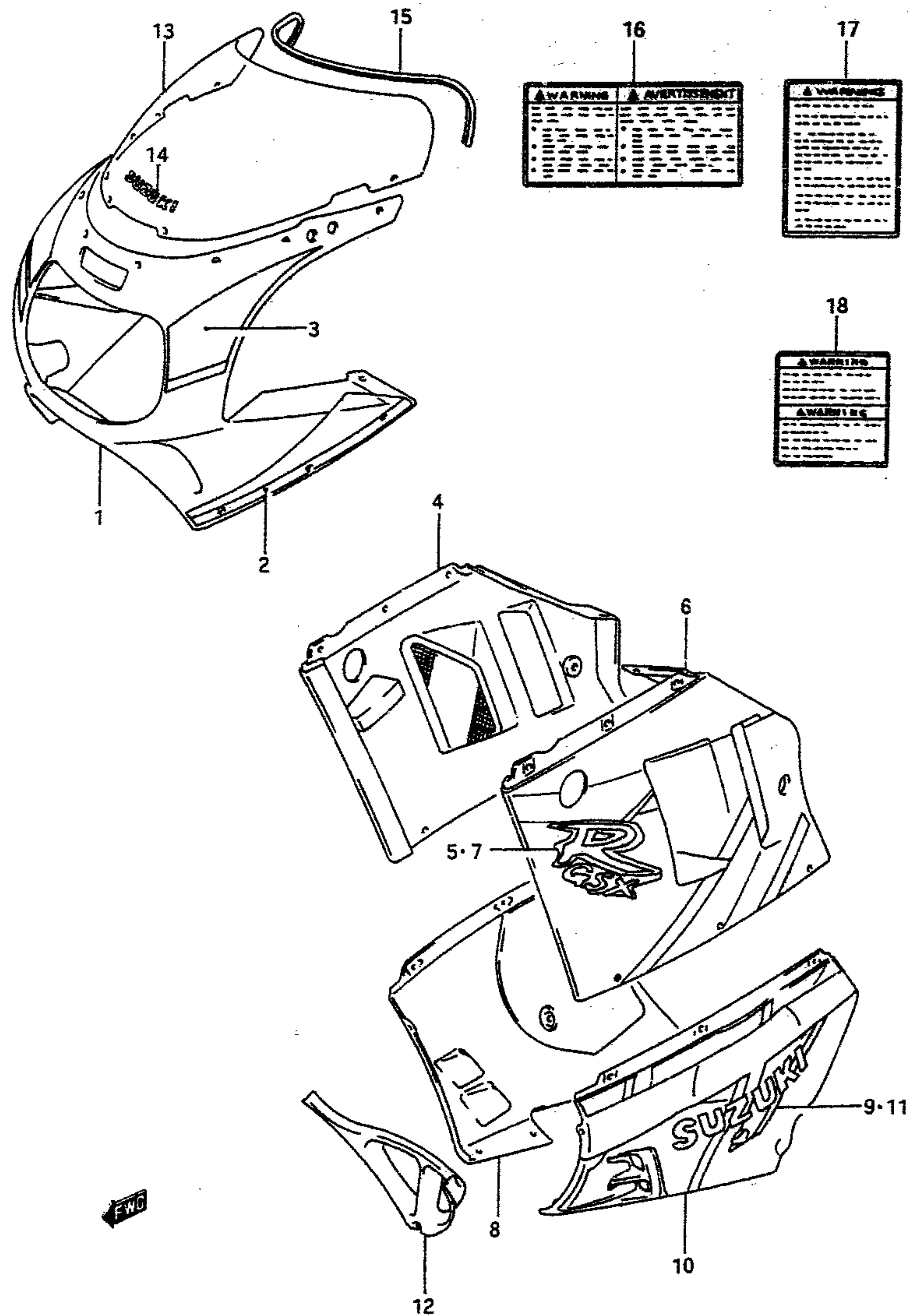
GSX-R1100N E28

AIR CLEANER.....C-5	CLUTCH MASTER CYL.....G-12	CYL HEAD COVER.....B-2	FR FENDER.....G-5	HEADLAMP.....E-8	RR FENDER.....H-4	STARTER CLUTCH.....B-11
ALTERNATOR.....E-3	COSLING BODY.....H-8	ELECTRICAL.....E-6	FR MASTER CYL.....G-11	MUFFLER.....C-6	RR MASTER CYL.....H-7	STARTING MOTOR.....E-2
BATTERY.....E-5	COWLING FIT SET.....H-12	FOOTREST.....F-4	FR WHEEL.....G-6	OIL COOLER.....C-7	RR SWINGING ARM.....H-2	STEERING DAMPER.....G-4
CAM CHAIN.....B-14	CRANKCASE.....B-5	FRAME.....F-2	FUEL COCK.....F-7	OIL PAN.....B-8	RR WHEEL.....H-5	STEERING STEM.....G-3
CAM SHAFT.....B-12	CRANKCASE COVER.....B-7	FRAME COVER.....F-10	FUEL TANK.....F-5	OIL PUMP.....B-9	SEAT.....F-8	TAIL LAMP.....E-10
CARBURETOR.....C-2	CRANKSHAFT.....B-10	FR BRAKE HOSE.....G-10	GEAR SHIFTING.....D-5	OPTIONAL.....H-14	SIGNAL GENERATOR.....E-4	TRANSMISSION.....D-3
CARBURETOR FIT.....C-4	CYLINDER.....B-4	FR CALIPERS.....G-9	HANDLE SWITCH.....G-8	REAR CALIPER.....H-6	SPEEDOMETER.....E-7	TURN SIGNAL LAMP.....E-9
CLUTCH.....D-2	CYLINDER HEAD.....B-3	FR DAMPER.....G-2	HANDLEBAR.....G-7	RR CUSHION LEVER.....H-3	STAND.....F-3	WIRING HARNESS.....E-11

FIG.55A

H-11

FIG.55A( H-11) COWLING BODY (model N)



REF.NO.	PART NO.	DESCRIPTION	Q'TY	REMARKS
8-1	94470-41C80-0JW	COWLING, under RH (White)	1	for L99
8-2	94470-41C80-33J	COWLING, under RH (Black)	1	for M01
8-3	94470-41C80-36X	COWLING, under RH (Black)	1	for 3WC
9-1	68185-41C30-1MH	.TAPE, under RH	1	for 0JW
9-2	68185-41C30-1MG	.TAPE, under RH	1	for 33J
9-3	68185-41C30-1MD	.TAPE, under RH	1	for 36X
10-1	94480-41C80-0JW	COWLING, under LH (White)	1	for L99
10-2	94480-41C80-33J	COWLING, under LH (Black)	1	for M01
10-3	94480-41C80-36X	COWLING, under LH (Black)	1	for 3WC
11-1	68195-41C30-1MH	.TAPE, under LH	1	for 0JW
11-2	68195-41C30-1MG	.TAPE, under LH	1	for 33J
11-3	68195-41C30-1MD	.TAPE, under LH	1	for 36X
12-1	94498-17D01-0JW	COWLING, under center (White)	1	for L99
12-2	94498-17D01-33J	COWLING, under center (Black)	1	for M01,3WC
13	94610-41C00-0FP	SCREEN SET, window	1	
14	68182-12C00-0FP	.EMBLEM, SUZUKI	1	
15	.MOLDING	1	L:740+660	
16	68319-40C10	LABEL, warning safety	1	
17-1	68612-48B00	LABEL, warning screen	1	
17-2	68612-48B10	LABEL, warning screen (French)	1	
18	68613-40C00	LABEL, warning steering	1	

GSX-R1100N E28

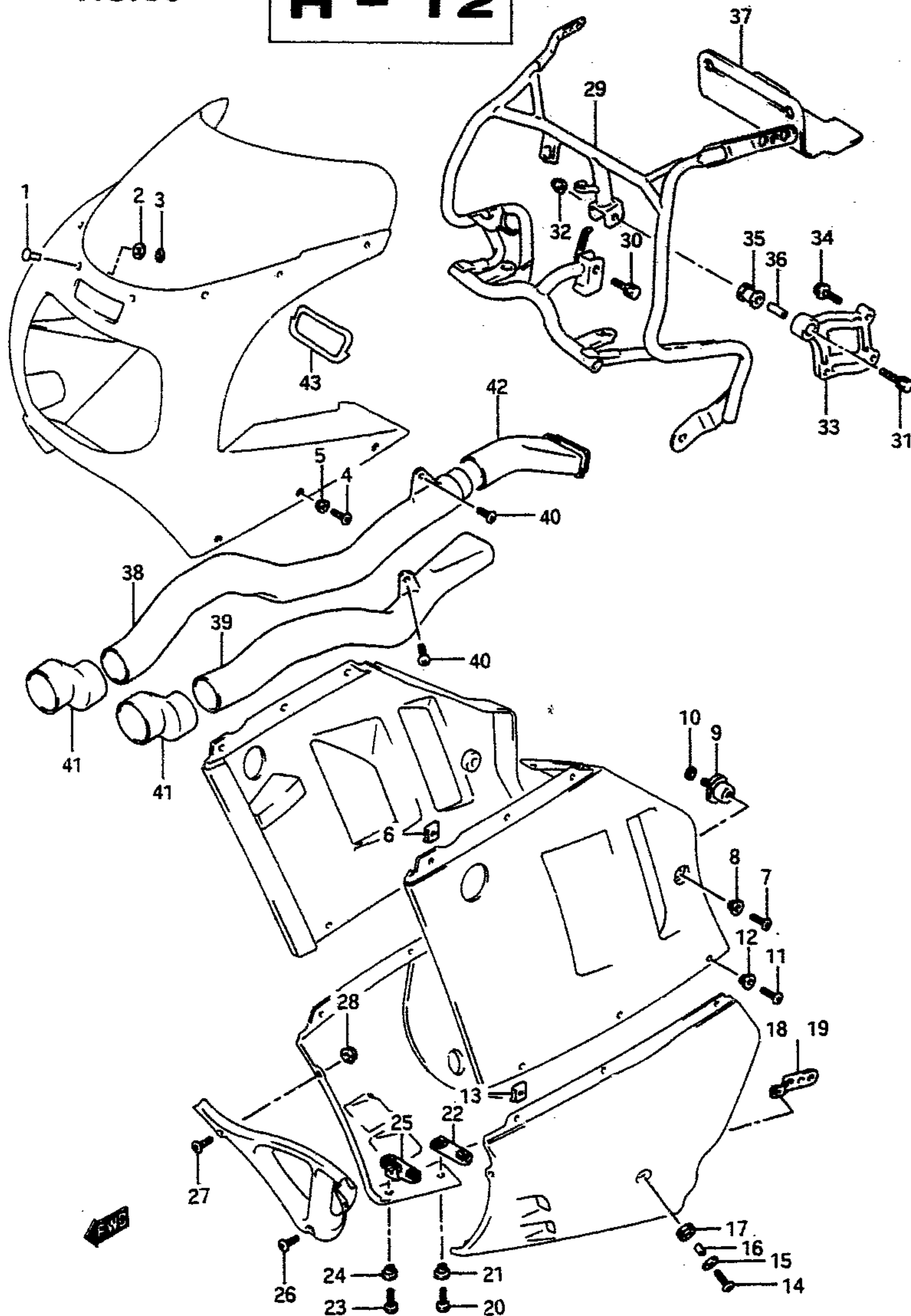
GSX-R1100N E28

AIR CLEANER.....C-5	CLUTCH MASTER CYL.....G-12	CYL HEAD COVER.....B-2	FR FENDER.....G-5	HEADLAMP.....E-8	RR FENDER.....H-4	STARTER CLUTCH.....B-11
ALTERNATOR.....E-3	COSLING BODY.....H-8	ELECTRICAL.....E-6	FR MASTER CYL.....G-11	MUFFLER.....C-6	RR MASTER CYL.....H-7	STARTING MOTOR.....E-2
BATTERY.....E-5	COWLING FIT SET.....H-12	FOOTREST.....F-4	FR WHEEL.....G-6	OIL COOLER.....C-7	RR SWINGING ARM.....H-2	STEERING DAMPER.....G-4
CAM CHAIN.....B-14	CRANKCASE.....B-5	FRAME.....F-2	FUEL COCK.....F-7	OIL PAN.....B-8	RR WHEEL.....H-5	STEERING STEM.....G-3
CAM SHAFT.....B-12	CRANKCASE COVER.....B-7	FRAME COVER.....F-10	FUEL TANK.....F-5	OIL PUMP.....B-9	SEAT.....F-8	TAIL LAMP.....E-10
CARBURETOR.....C-2	CRANKSHAFT.....B-10	FR BRAKE HOSE.....G-10	GEAR SHIFTING.....D-5	OPTIONAL.....H-14	SIGNAL GENERATOR.....E-4	TRANSMISSION.....D-3
CARBURETOR FIT.....C-4	CYLINDER.....B-4	FR CALIPERS.....G-9	HANDLE SWITCH.....G-8	REAR CALIPER.....H-6	SPEEDOMETER.....E-7	TURNSIGNAL LAMP.....E-9
CLUTCH.....D-2	CYLINDER HEAD.....B-3	FR DAMPER.....G-2	HANDLEBAR.....G-7	RR CUSHION LEVER.....H-3	STAND.....F-3	WIRING HARNESS.....E-11

FIG. 56

**H - 12**

FIG. 56 ( H-12) COWLING FITTING SET



REF.NO.	PART NO.	DESCRIPTION	Q'TY	REMARKS
1	94616-10000	PIN, wind screen (4x13)	8	
2	09320-04007	CUSHION	8	
3	09148-04032	NUT	8	
4	09139-05032	SCREW, side cover upper (5x18)	8	
5	09161-05017	WASHER	8	
6	94484-32800	NUT, side cover upper	8	
7	09139-06027	SCREW, side cover lower (6x12)	2	
8	09161-06021	WASHER	2	
9	94570-04A00	CUSHION, side cover	2	
10	08321-21064	LOCK WASHER	2	
11	09139-05032	SCREW, under cowl upper (5x18)	6	
12	09161-05017	WASHER	6	
13	94484-32800	NUT, under cowl upper	6	
14	09139-06028	SCREW, under cowl rear (6x20)	2	
15	09160-06056	WASHER	2	
16	09180-06152	SPACER	2	
17	09320-09016	CUSHION	2	
18	94580-40C00	BRACE, under cowl RH	1	
19	94590-40C00	BRACE, under cowl LH	1	
20	09139-06039	SCREW, under cowl lower (6x16)	2	
21	09161-06021	WASHER	2	
22	94493-06800	BRACE, under cowl lower	1	
23	09139-06039	SCREW, under cowl lower (6x16)	2	
24	09161-06021	WASHER	2	
25	94490-06800	BRACE, under cowl lower, front	1	
26	09139-06030	SCREW, under cowl center (6x16)	1	
27	09139-05025	SCREW, under cowl front (5x14)	2	
28	08316-26055	NUT	2	

GSX-R1100N E28

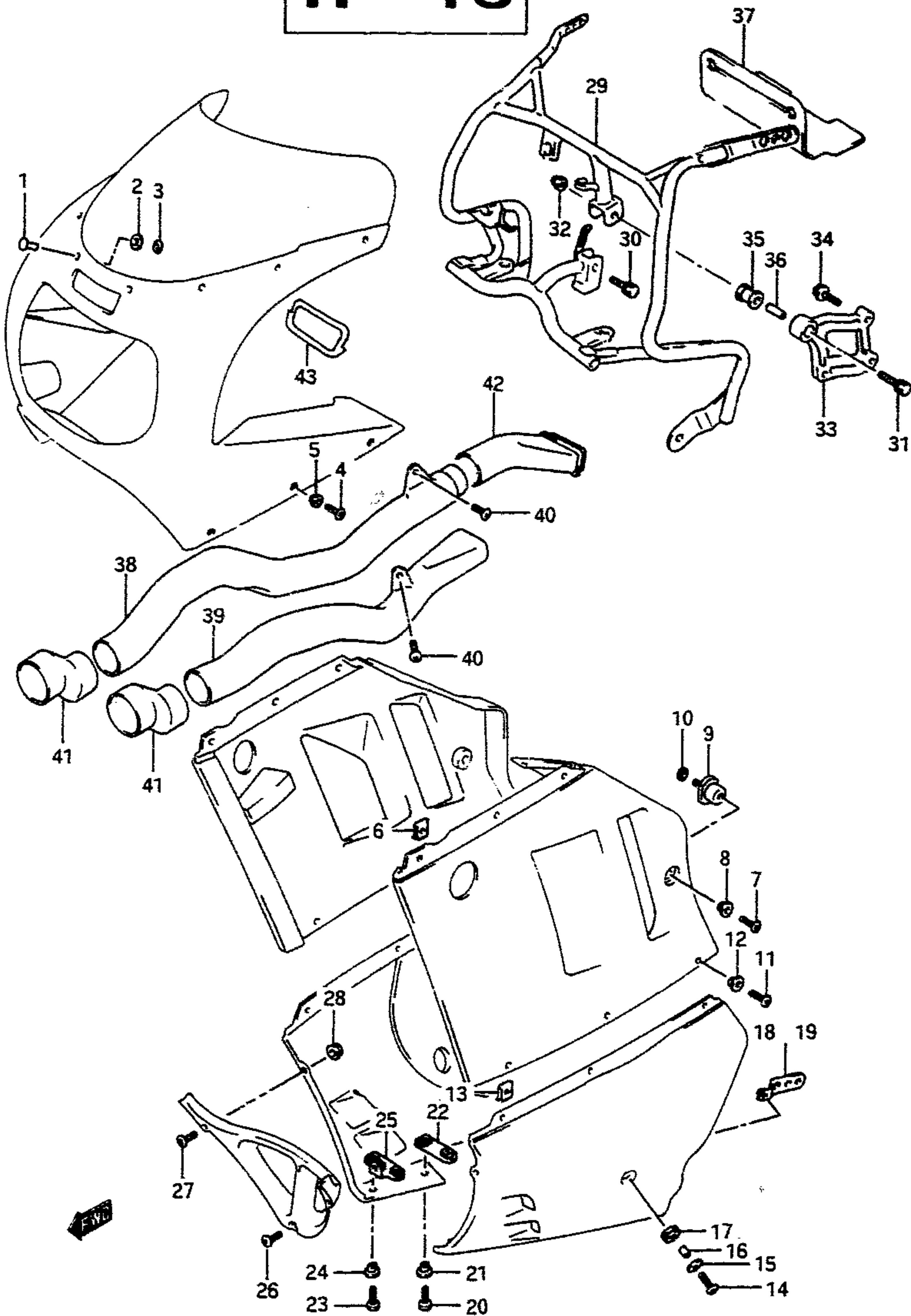
GSX-R1100N E28

AIR CLEANER.....C-5	CLUTCH MASTER CYL.....G-12	CYL HEAD COVER.....B-2	FR FENDER.....G-5	HEADLAMP.....E-8	RR FENDER.....H-4	STARTER CLUTCH.....B-11
ALTERNATOR.....E-3	COSLING BODY.....H-8	ELECTRICAL.....E-6	FR MASTER CYL.....G-11	MUFFLER.....C-6	RR MASTER CYL.....H-7	STARTING MOTOR.....E-2
BATTERY.....E-5	COWLING FIT SET.....H-12	FOOTREST.....F-4	FR WHEEL.....G-6	OIL COOLER.....C-7	RR SWINGING ARM.....H-2	STEERING DAMPER.....G-4
CAM CHAIN.....B-14	CRANKCASE.....B-5	FRAME.....F-2	FUEL COCK.....F-7	OIL PAN.....B-8	RR WHEEL.....H-5	STEERING STEM.....G-3
CAM SHAFT.....B-12	CRANKCASE COVER.....B-7	FRAME COVER.....F-10	FUEL TANK.....F-5	OIL PUMP.....B-9	SEAT.....F-8	TAIL LAMP.....E-10
CARBURETOR.....C-2	CRANKSHAFT.....B-10	FR BRAKE HOSE.....G-10	GEAR SHIFTING.....D-5	OPTIONAL.....H-14	SIGNAL GENERATOR.....E-4	TRANSMISSION.....D-3
CARBURETOR FIT.....C-4	CYLINDER.....B-4	FR CALIPERS.....G-9	HANDLE SWITCH.....G-8	REAR CALIPER.....H-6	SPEEDOMETER.....E-7	TURNSIGNAL LAMP.....E-9
CLUTCH.....D-2	CYLINDER HEAD.....B-3	FR DAMPER.....G-2	HANDLEBAR.....G-7	RR CUSHION LEVER.....H-3	STAND.....F-3	WIRING HARNESS.....E-11

FIG.56

H - 13

FIG.56 ( H-13) COWLING FITTING SET



67

Q'TY

REF.NO.	PART NO.	DESCRIPTION	Q'TY	REMARKS
29	94510-41C00	BRACE, cowling	1	
30	01137-08305	BOLT, brace (8x30)	1	
31	01137-08405	BOLT, brace upper (8x40)	1	
32	08313-21085	NUT	1	
33	94531-41C10	BRACE, cowling center	1	
34	01187-08405	BOLT, brace center (8x40)	2	
35	94541-41C00	CUSHION, cowling brace	1	
36	09180-08166	SPACER, cowling brace	1	
37	94533-41C00	SHEET, cowl heat guard	1	
38	94451-41C00	PIPE, air intake front RH	1	
39	94452-41C00	PIPE, air intake front LH	1	
40	02142-06205	SCREW, pipe	2	
41	94454-41C00	JOINT, air intake	2	
42	94453-17C00	PIPE, air intake rear RH	1	
43	94415-41C00	CUSHION, front position lamp	1	

GSX-R1100N E28

GSX-R1100N E28

AIR CLEANER.....C-5	CLUTCH MASTER CYL.....G-12	CYL HEAD COVER.....B-2	FR FENDER.....G-5	HEADLAMP.....E-8	RR FENDER.....H-4	STARTER CLUTCH.....B-11
ALTERNATOR.....E-3	COSLING BODY.....H-8	ELECTRICAL.....E-6	FR MASTER CYL.....G-11	MUFFLER.....C-6	RR MASTER CYL.....H-7	STARTING MCTOR.....E-2
BATTERY.....E-5	COWLING FIT SET...H-12	FOOTREST.....F-4	FR WHEEL.....G-6	OIL COOLER.....C-7	RR SWINGING ARM...H-2	STEERING DAMPER...G-4
CAM CHAIN.....B-14	CRANKCASE.....B-5	FRAME.....F-2	FUEL COCK.....F-7	OIL PAN.....B-8	RR WHEEL.....H-5	STEERING STEM...G-3
CAM SHAFT.....B-12	CRANKCASE COVER...B-7	FRAME COVER...F-10	FUEL TANK.....F-5	OIL PUMP.....B-9	SEAT.....B-9	TAIL LAMP.....E-10
CARBURETOR.....C-2	CRANKSHAFT.....B-10	FR BRAKE HOSE...G-10	GEAR SHIFTING...D-5	OPTIONAL.....H-14	SIGNAL GENERATOR...E-4	TRANSMISSION...D-3
CARBURETOR FIT...C-4	CYLINDER.....B-4	FR CALIPERS.....G-9	HANDLE SWITCH...G-8	REAR CALIPER.....H-6	SPEEDOMETER.....E-7	TURNSIGNAL LAMP...E-9
CLUTCH.....D-2	CYLINDER HEAD.....B-3	FR DAMPER.....G-2	HANDLEBAR.....G-7	RR CUSHION LEVER...H-3	STAND.....F-3	WIRING HARNESS...E-11



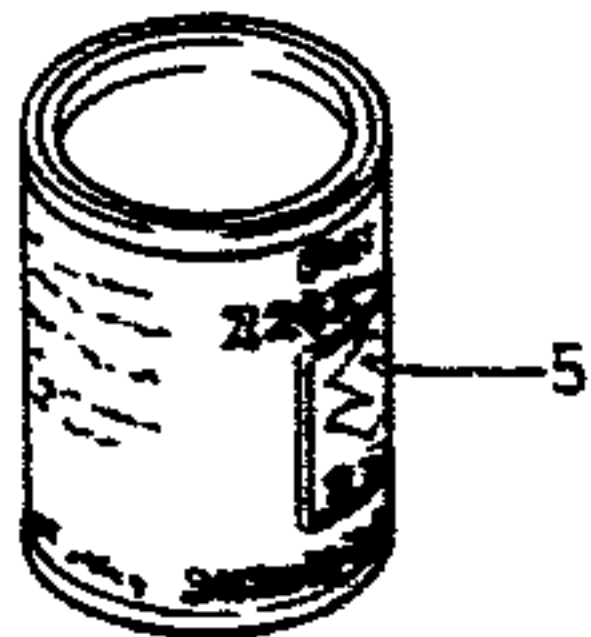
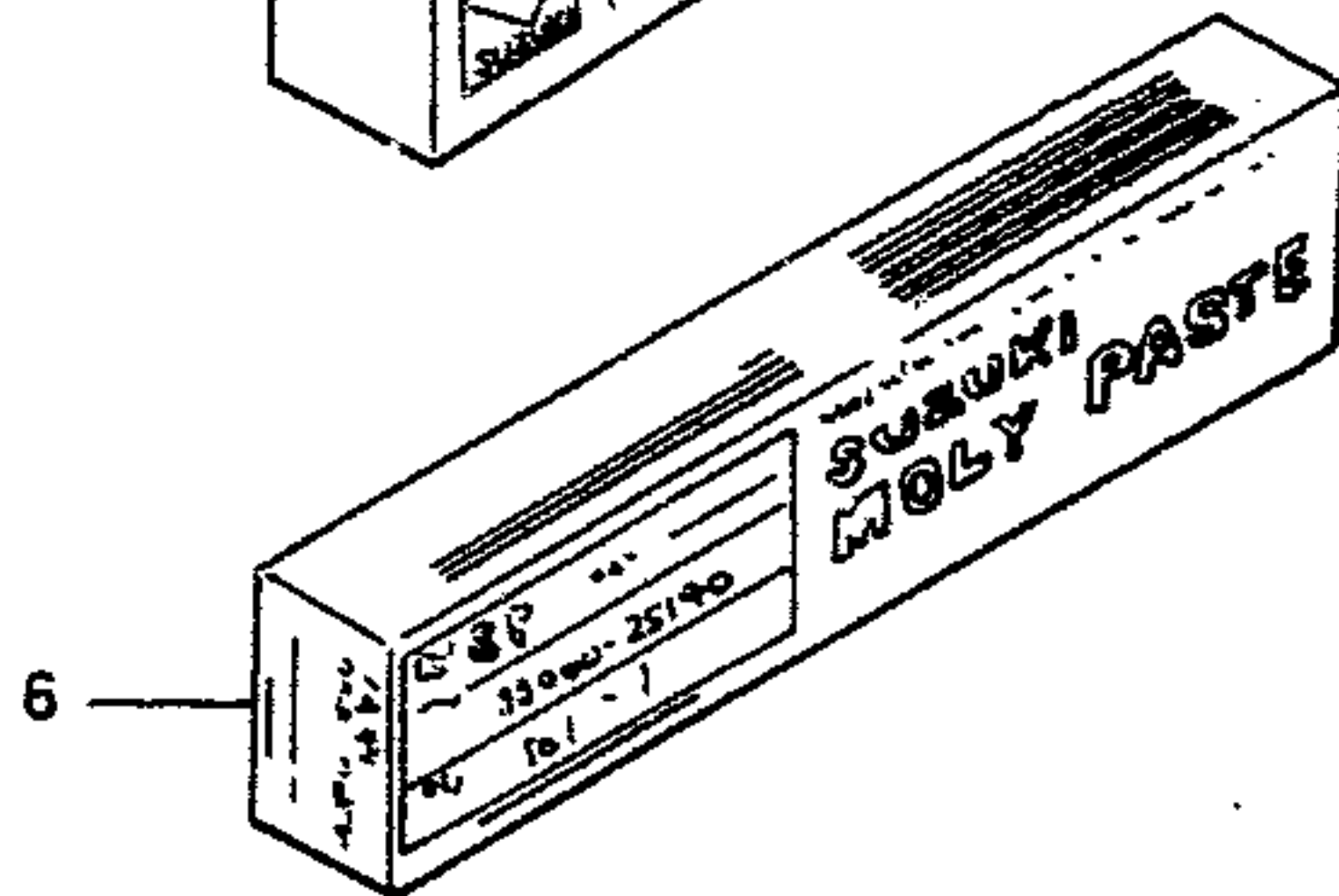
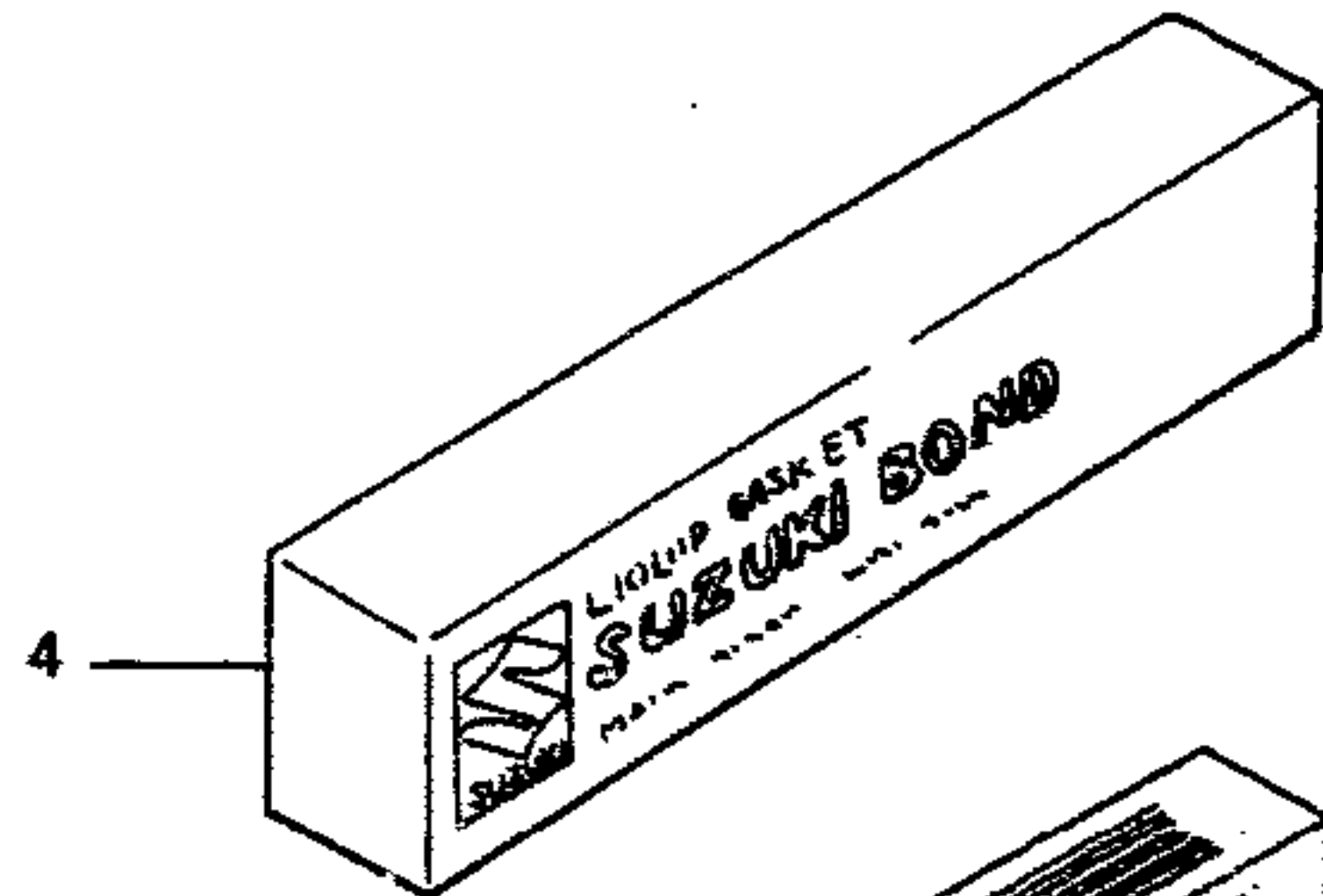
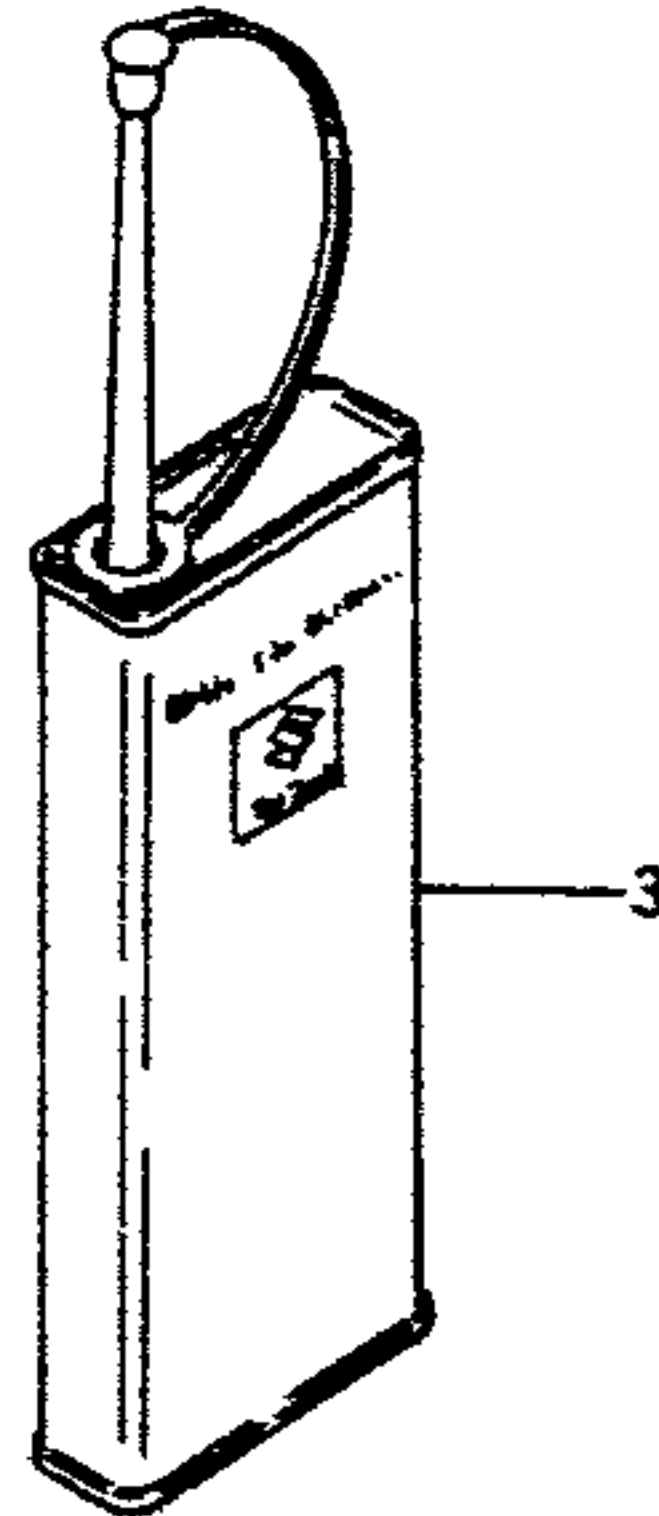
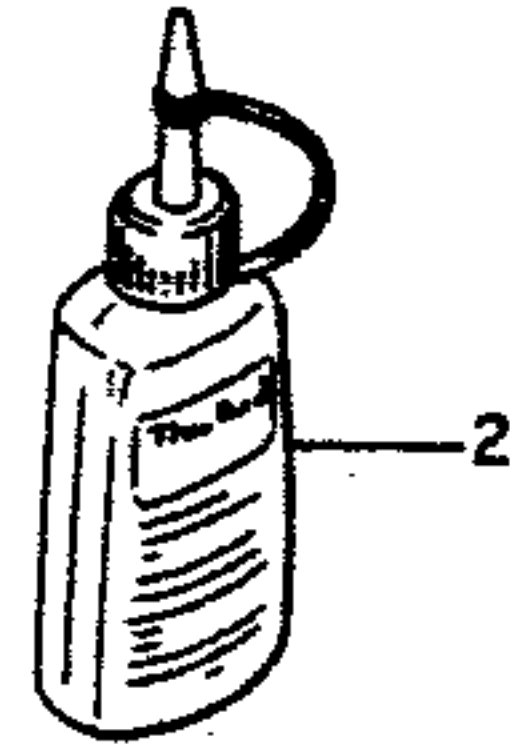
FIG. 57

H - 14

FIG. 57 ( H-14) OPTIONAL

Q'TY

REMARKS



REF. NO.	PART NO.	DESCRIPTION	Q'TY	REMARKS
1	99000-25110	SUZUKI PBC GREASE	1 20g	
2-1	99104-32020	THREAD LOCK SUPER (1333)	1 50g	
2-2	99104-32030	THREAD LOCK SUPER (1363A)	1 50g	
2-3	99000-32050	THREAD LOCK SUPER (1342)	1 50g	
2-4	99000-32100	THREAD LOCK SUPER (1305)	1 50g	
2-5	99000-32130	THREAD LOCK SUPER (1360)	1 50g	
3	99000-32040	THREAD LOCK CEMENT	1 200g	
4	99000-31140	SUZUKI BOND (1207B)	1 100g	
5	99000-25030	SUZUKI SUPER GREASE	1 150g	
6	99000-25140	SUZUKI MOLY PASTE	1 50g	

GSX-R1100N E28

GSX-R1100N E28

AIR CLEANER.....C-5	CLUTCH MASTER CYL..G-12	CYL HEAD COVER..B-2	FR FENDER.....G-5	HEADLAMP.....E-8	RR FENDER.....H-4	STARTER CLUTCH..B-11
ALTERNATOR.....E-3	COSLING BODY.....H-8	ELECTRICAL.....E-6	FR MASTER CYL..G-11	MUFFLER.....C-6	RR MASTER CYL....H-7	STARTING MOTOR..E-2
BATTERY.....E-5	COWLING FIT SET..H-12	FOOTREST.....F-4	FR WHEEL.....G-5	OIL COOLER.....C-7	RR SWINGING ARM..H-2	STEERING DAMPER..G-4
CAM CHAIN.....B-14	CRANKCASE.....B-5	FRAME.....F-2	FUEL COCK.....F-7	OIL PAN.....B-8	RR WHEEL.....H-5	STEERING STEM...G-3
CAM SHAFT.....B-12	CRANKCASE COVER..B-7	FRAME COVER...F-10	FUEL TANK.....F-5	OIL PUMP.....B-9	SEAT.....F-8	TAIL LAMP.....E-10
CARBURETOR.....C-2	CRANKSHAFT.....B-10	FR BRAKE HOSE..G-10	GEAR SHIFTING..D-5	OPTIONAL.....H-14	SIGNAL GENERATOR..E-4	TRANSMISSION....D-3
CARBURETOR FIT..C-4	CYLINDER.....B-4	FR CALIPERS...G-9	HANDLE SWITCH..G-8	REAR CALIPER....H-6	SPEEDOMETER.....E-7	TURNSIGNAL LAMP..E-9
CLUTCH.....D-2	CYLINDER HEAD...B-3	FR DAMPER.....G-2	HANDLEBAR.....G-7	RR CUSHION LEVER..H-3	STAND.....F-3	WIRING HARNESS..E-11

# M - 1

PART NO.	ADDRESS NO.	PART NO.	ADDRESS NO.	PART NO.	ADDRESS NO.	PART NO.	ADDRESS NO.	PART NO.	ADDRESS NO.		
<b>10000</b>		12140-48B20-100	B-10	12892-41C00-235	B-12	13268-47070	C-3	13671-33600	C-3	16540-27A02	B-9
		12151-05A00	B-10	12892-41C00-240	B-12	13271-44B00	C-4	13673-44B00	C-4	16591-06B00	B-6
		12160-40C02	B-10	12892-41C00-245	B-12	13278-02340	C-2	13680-17D00	C-4	16600-40C03	C-7
		12164-48B00-0A0	B-10	12892-41C00-250	B-12	13279-41C00	C-4	13683-17D00	C-4	16628-27A00	C-7
		12164-48B00-0B0	B-10	12892-41C00-255	B-12	13279-47070	C-3	13683-41C00	C-4	16629-27A01	C-7
11100-41C00	B-3	12164-48B00-0C0	B-10	12892-41C00-260	B-12	13291-29900	C-3	13683-41C10	C-4	<b>20000</b>	
11116-06B70	B-3	12164-48B00-0D0	B-10	12892-41C00-265	B-12	13295-29900	C-3	13684-20C10	C-4		
11131-27A00	B-3	12220-40C00	B-10	12892-41C00-270	B-12	13331-07D00	C-2	13685-44B00	C-4		
11133-27A00	B-3	12228-48B00-0C0	B-6	12892-41C00-275	B-12	13370-07D00	C-2	13700-17D10	C-5		
11135-27A02	B-3		B-10	12892-41C00-280	B-12	13374-44080	C-3	13720-07D00	C-5		
11136-27A02	B-3	12228-48B00-0E0	B-6	12892-41C00-285	B-12	13374-46710	C-3	13760-17C01	C-5	21200-40B13	D-2
11137-27A01	B-12		B-10	12892-41C00-290	B-12	13375-60A00	C-4	13760-41C10	C-5	21200-40B20	D-2
11138-40C10	B-3	12228-48B00-0H0	B-6	12892-41C00-295	B-12	13382-17D00	C-2	13780-17C00	C-5	21231-06B00	E-3
11141-48B21	B-3		B-10	12892-41C00-300	B-12	13383-41C00	C-2	13824-17D10	C-5	21400-40C00	D-2
11143-48B01	B-3	12229-06B00-0A0	B-10	12892-41C00-305	B-13	13387-41C00	C-2	13824-48B10	C-5	21410-40C01	D-2
11171-17C00	B-2	12229-06B00-0B0	B-10	12892-41C00-310	B-13	13394-31210	C-2	13826-17D10	C-5	21441-48B00	D-2
11173-06B02	B-2	12229-06B00-0C0	B-10	12892-41C00-315	B-13	13411-05320	C-3	13848-17C00	C-5	21451-48B00	D-2
11176-26D00	B-2	12229-06B00-0D0	B-10	12892-41C00-320	B-13	13413-20C00	C-4	13853-17D10	C-5	21462-40C02	D-2
11177-26D00	B-2	12229-06B10-0A0	B-10	12892-41C00-325	B-13	13417-09110	C-3	13854-40C00	C-5	21463-40C01	D-2
11178-27A01	B-2	12229-06B10-0B0	B-10	12892-41C00-330	B-13	13417-17D00	C-2	13870-41C00	C-5	21471-40C01	D-2
11179-27A02	B-2	12229-06B10-0C0	B-10	12892-41C00-335	B-13	13418-17C00	C-3	13880-07D00	C-5	21611-40C01	D-2
11210-40C01	B-4	12229-06B10-0D0	B-10	12892-41C00-340	B-13	13418-17C10	C-3	13890-07D00	C-5	21623-40C00	D-2
11210-40C02	B-4	12600-48811	B-11	12892-41C00-345	B-13	13427-38300	C-4	13897-17C00	C-5	22721-06B02	D-2
11241-48B00	B-4	12611-06B00	B-11	12892-41C00-350	B-13	13439-17C00	C-4	13899-17C01	C-5	22730-06B03	E-3
11301-40841	B-5	12711-41C00	B-12	12911-41C00	B-12	13501-17D00	C-2	14100-40C04-H01	C-6	22733-27A04	E-3
11301-40850	B-5	12721-41C00	B-12	12912-41C00	B-12	13502-41C00	C-3	14181-40C00	C-6	23110-27A00	D-2
11328-48B02	B-4	12741-06B00	B-12	12920-41C00	B-12	13507-07D00	C-2	14310-41C00	C-6	23111-05A01	D-2
11340-40C00	B-7	12760-40C00	B-14	12931-41C00	B-12	13508-17C00	C-3	14340-41C01	C-6	23117-27A03	D-2
11351-40C00	B-7	12771-06B01	B-14	12932-27A00	B-12	13550-07D00	C-2	14761-40C01	C-6	23121-07A00	D-2
11361-40C10	B-7	12780-40C00	B-14	12933-81400	B-12	13550-07D10	C-2	14770-40C10	C-6	23160-06B01	D-2
11381-27A01	B-7	12786-48B01	B-14	12934-27A00	B-12	13550-07D20	C-3	14771-44B00	C-6	23163-06B00	D-2
11400-26860	B-2	12788-48B11	B-14	12935-27A00	B-12	13550-07D30	C-2	16331-06B01-0B1	B-9	23164-05A00	D-2
11482-27A10	B-7	12791-06C01	B-14	13101-41C00	B-3	13551-07D00	C-2	16400-06B10	B-9	24121-40C03	D-3
11483-48B10	B-7	12800-41810	B-13	13102-41C00	B-3	13553-17C00	C-2	16440-17C00	B-8	24131-40C10	D-3
11489-27A10	B-8	12810-40C00	B-14	13103-41C00	B-3	13553-44B00	C-2	16442-34301	B-8	24221-40C00	D-3
11491-27A10	B-7	12814-34200	B-14	13104-41C00	B-3	13556-44B00	C-2	16460-40C10	C-7	24231-48B01	D-3
11511-17C02	B-8	12830-48B02	B-14	13201-41C40	C-2	13557-05A20	C-3	16470-40C10	C-7	24241-48B00	D-3
11611-40C01	B-6	12832-27A00	B-14	13202-41C40	C-2	13557-07D00	C-3	16481-48B01	B-9	24251-48B02	D-3
11681-27A00	B-6	12837-06B00	B-14	13203-41C40	C-2	13557-47070	C-2	16491-27A01	B-9	24252-48B00	D-3
11971-33210	B-7	12834-27A00	B-14	13204-41C40	C-2	13573-07D00	C-2	16510-06B01	B-9	24311-48B00	D-3
12111-48B04-0F0	B-10	12837-27A00-H17	B-14	13240-07D00	C-3	13573-07D10	C-2	16520-17C00	B-8	24321-48B02	D-3
12111-48B04-050	B-10	12837-27A10	B-14	13247-02340	C-3	13602-34390	C-3	16525-17C00	B-8	24331-48B03	D-4
12111-48B04-100	B-10	12841-33C02	B-12	13258-44B00	C-2	13604-07D00	C-2	16528-27A10	B-8	24332-48B00	D-4
12140-48B20	B-10	12861-41C01	B-12	13267-44B00	C-4	13628-07D00	C-4	16529-27A01	B-8	24341-06B01	D-4
12140-48B20-050	B-10	12892-41C00-230	B-12	13268-17C10	C-4	13628-17C00	C-4	16530-17C00	B-9	24351-48B03	D-4

PART NO.	ADDRESS NO.	PART NO.	ADDRESS NO.	PART NO.	ADDRESS NO.	PART NO.	ADDRESS NO.	PART NO.	ADDRESS NO.	PART NO.	ADDRESS NO.	
24741-27A00	D-3	31580-48B00	E-3	34132-17C00	E-7	36381-40C20	E-7	43511-17D01	F-4		F-9	
24751-40C01	D-4	31585-48B00	E-3	34170-41C20	E-7	36610-41C30	E-11	43511-40C00	F-4	45123-17C00	F-8	
25211-06B01	D-5	31586-48B00	E-3	34186-41C20	E-7	36610-41C80	E-11	43521-40C00	F-4		F-9	
25221-06B00	D-5	31587-19C00	E-3	34189-04A30	E-7	36611-38A00	E-11	43522-17D01	F-4	45149-04A00	F-10	
25231-06B00	D-5	31611-48B00	E-3	34189-17C00	E-7	36740-17D00	E-11	43529-17D00	F-4		F-11	
25310-06B02	D-5	31612-06B00	E-3	34191-41C20	E-7	36750-05A00	E-11	43529-17D10	F-4	45220-17C00	F-8	
25322-31301	D-5	31612-48B00	E-3	34210-41C20	E-7	36856-41C00	E-11	43530-40C00	F-4		F-9	
25323-34201	D-5	31613-27A10	E-3	34716-32C00	E-7	37100-17C02	E-11	43541-40C00	F-4	45271-40C00	F-8	
25324-34201	D-5	31613-48B00	E-3	34718-32C00	E-7	37146-03A80	E-11	43550-40C11	F-4		F-9	
25331-31301	D-5	31613-82610	E-3	34810-40C00	F-7	37200-41C30	G-8	43561-17C01	F-3	45272-17C02	F-8	
25341-27A00	D-5	31614-48B00	E-3	34825-40C00	F-7	37400-41C10	G-8	43563-17C01	F-3		F-9	
25350-27A00	D-5	31615-17C00	E-3	34910-41C00	E-7	37720-40C00	D-6	43586-40C01	F-4	45290-41C01	F-8	
25353-27A00	D-5	31621-27A00	E-3	34938-40C60	E-7	37720-48B00	D-6	43600-41C00	F-4		F-9	
25381-38400	D-5	31656-48B00	E-3	34938-41C00	G-3	37740-04A10	E-11	43610-41C00	F-4	45300-41C00-58R	F-8	
25411-27A00	D-5	31687-27A00	E-3	34939-17D00	E-7	37820-33200	B-6	43620-41C00	F-4		F-9	
25510-19C00	D-5	31688-06B00	E-3	34950-41C20	E-7	37840-17C01	E-11	43642-40C00	F-4	45326-17C00	F-10	
25520-19C02	D-6	31688-27A00	E-3	34960-41C20	E-7	38500-41C00	E-11	43700-41C00	F-4		F-11	
25525-17C02	D-6	31710-48B03	E-3	35100-41C00	E-8	38610-31310	E-9	43815-41C00	F-10	45500-41810-ONG	F-8	
25600-17C03	D-6	31776-06B00	E-3	35173-41C00	E-8	38740-24B10	E-11		F-11	45500-41810-28V	F-8	
25652-16500	D-6	31780-48B00	E-3	35250-33C10	E-8			43980-41C10	F-2	45550-41C10-0JW	F-9	
25671-01000	D-5	31800-49100	E-6	35601-01D00	E-9	<b>40000</b>		44100-41C50-3SL	F-5	45550-41C10-33J	F-9	
27510-48B00	D-4	31861-10D10	E-6	35601-12C11	E-9				44100-41C60-3EE	F-5	45550-41C10-36X	F-9
27600-40C20-118	D-4	32500-27A00	E-3	35601-17C41	E-9				44100-42C00-L99	F-6	45700-19840	F-8
		32900-40C00	E-4	35612-17C20	E-9				44100-42C00-M01	F-6		F-9
		32900-40C30	E-4	35613-27A00	E-9			44100-42C00-3WC	F-6	46211-41C00-0JW	F-9	
		32980-40C00	E-4	35623-27A00	E-9	41100-41810	F-2	44151-17C00	F-5	46211-41C00-ONG	F-8	
<b>30000</b>		33110-17C00	E-4	35627-27A02	E-9	41140-40C30	F-2		F-6	46211-41C00-019	F-8	
		33120-19C00	E-4	35674-27A01	E-9	41540-40C01	E-5	44191-41C00	F-5		F-9	
		33410-40C00	E-6	35695-17C00	E-9	41550-49200	F-2		F-6	46220-41C00-58R	F-8	
		33420-17C00	E-6	35710-41C30	E-10	41684-40C00	G-4	44192-41C00	F-5		F-9	
31100-40C02	E-2	33510-20C02	E-6	35718-41C00	E-10	41881-06C00	F-2		F-6	46238-41C00	F-8	
31130-38B00	E-2	33541-20C00	E-6	35725-40511	E-9	41911-41C00	F-2	44201-01851	F-5		F-9	
31132-38B00	E-2	33542-38B00	E-6	35766-17C00	E-10	41921-17C02	F-2		F-6	47110-41C00-3SL	F-10	
31135-38B00	E-2	33543-48B00	E-6	35910-17C00	E-10	41940-40C01	F-2	44240-06B10	F-5	47110-41C10-3EE	F-10	
31143-49040	E-2	33610-49210	E-5	35912-38A30	E-10	41950-40C01	F-2		F-6	47110-41C30-0JW	F-11	
31150-40C00	E-2	33651-37000	E-5	35913-38A30	E-10	42100-17C00	F-3	44300-41C00	F-7	47110-41C30-33J	F-11	
31156-40C00	E-2	33652-29100	E-5	35915-17C00	E-10	42310-40C30	F-3	44300-41C01	F-7	47110-41C30-36X	F-11	
31170-19B10	E-2	33680-14A00	E-5	35927-00A10	E-10	42330-40C20	F-3	44305-17C00	F-7	47210-41C00-3SL	F-10	
31264-31300	E-2	33810-41C00	E-6	35950-40C00	E-8	43110-17C03	F-3	44306-17C00	F-7	47210-41C10-3EE	F-10	
31280-40C00	E-2	33860-40C02	E-5	35956-17D00	E-8	43130-24A00	G-6	44511-41C00	F-5	47210-41C30-0JW	F-11	
31310-40C02	E-2	33885-27A01	D-6	35957-17D00	E-8		H-5		F-6	47210-41C30-33J	F-11	
31400-48B03	E-3	34110-41C20	E-7	35970-00A21	E-10	43213-17C01	F-4	44545-41C00	F-5	47210-41C30-36X	F-11	
31480-48B00	E-3	34111-41C20	E-7	36110-41C01	E-8	43214-17C01	F-4		F-6	47310-41C00-ONG	F-10	
31514-27A00	E-3	34124-49400	E-7	36118-41C00	E-8	43251-17C01	E-11	44885-38A00	F-2	47310-41C00-28V	F-10	
31516-85250	E-3	34131-48B10	E-7	36380-40C20	E-7	43261-17C00	F-3	45100-41C00-58R	F-8	47310-41C20-0YX	F-11	

PART NO.	ADDRESS NO.	PART NO.	ADDRESS NO.	PART NO.	ADDRESS NO.	PART NO.	ADDRESS NO.	PART NO.	ADDRESS NO.		
47310-41C20-33J	F-11	53110-17D20-1LE	G-5	57465-18601	G-8	59669-41C00	G-11	63112-40C00	H-4	68140-41C10-1MG	F-11
47310-41C20-36X	F-11	53110-17D20-28V	G-5	57481-33010	G-8		G-12	63113-40C00	H-4	68145-41C01-0FP	F-10
47410-17C00	E-6	53110-17D20-33J	G-5	57560-08A00	G-8	59671-19B00	G-11	63114-17C00	H-4	68160-41C00-M13	F-9
47410-41C00	F-10	54111-17C00-1DR	G-6	57620-40C00	G-8		G-12	63411-35B00	F-8	68160-41C00-M14	F-9
	F-11	54111-17C00-1MJ	G-6	58300-41C00	G-7	59675-17C00	G-11		F-9	68160-41C00-M15	F-9
<b>50000</b>		54111-17C00-12R	G-6	58410-41C00	G-7		G-12	63411-42A00	H-4	68166-31300-0FP	F-11
		54111-17C00-28W	G-6	59100-17830	G-9	59800-08810	G-12	64111-07D00-1DR	H-5	68166-31300-0JW	F-10
		54600-17C00	G-6	59100-40C01	G-9	59800-41C00	G-12	64111-07D00-1MJ	H-5	68166-31300-13L	F-10
		54711-17D00	G-6	59107-13A00	G-9	59871-08A00	G-12	64111-07D00-12R	H-5	68182-12C00-0FP	H-11
		54740-17C00	G-6	59107-17C00	G-9	59892-08A00	G-12	64111-07D00-28W	H-5	68182-12C00-0JW	H-8
51103-41C20	G-2	55110-41C00	G-6	59107-18410	H-6	59910-41C00	G-12	64300-40820	H-2		H-9
51104-41C10	G-2	55411-00A00	G-6	59108-13A00	G-9			64336-20A00	H-2	68185-41C00-ONE	H-8
51110-40C40	G-2		H-5	59108-16700	H-6			64339-40410	G-4	68185-41C10-33J	H-9
51117-28C00	G-2	55412-00A00	G-6	59108-17C00	G-9				H-2	68185-41C30-1MD	H-11
51120-40C40	G-2		H-5	59121-01A00	D-2			64352-40411	H-2	68185-41C30-1MG	H-11
51121-28C00	G-2	55413-00A00	G-6		G-9						
51130-40C40	G-2		H-5	59121-18410	H-6	<b>60000</b>		64511-40C01	H-5	68185-41C30-1MH	H-11
51146-41C00	G-2	56111-40C20	G-7	59122-01A00	D-2			64611-40C00	H-5	68195-41C00-ONE	H-8
51147-40C00	G-2	56151-40C20	G-7		G-9			64651-31001	H-5	68195-41C10-33J	H-9
51148-40300	G-2	56190-40C10	G-7	59122-18410	H-6			64711-40C10	H-5	68195-41C30-1MD	H-11
51153-06C00	G-2	56200-40811	G-7		G-9			64731-40C00	H-5	68195-41C30-1MG	H-11
51156-49440	G-2	56231-40C10	G-7	59130-40C00	G-9	61000-40C10	H-2	64733-48B00	H-5	68195-41C30-1MH	H-11
51158-05A00	G-2	56240-41C00	G-7	59143-16700	H-6	61165-27A30	F-3	64740-48B00	H-5	68241-27A00	F-5
51162-70040	H-7	56243-40C11	G-7	59145-17C00	H-6	61211-40C00	H-2	64751-40C00	H-5		F-6
51167-40C40	G-2	56244-40C00	G-7	59145-33C00	G-9	61213-40C30	H-2	65110-41C00	H-5	68270-41C00-ONE	H-8
				59151-16701	H-6	61214-40C30	H-2	68110-41C00-ONE	F-5	68270-41C10-28V	H-9
51171-40C40	G-2	56271-40C10	G-7	59210-40C02	G-6	61251-17C00	H-2	68111-12C00-0FP	F-5	68270-41C30-M13	H-10
51173-40C40	G-2	56274-40C10	G-7	59220-40C02	G-6	61262-17C00	H-2		F-6	68270-41C30-M14	H-10
51176-40C40	G-2	56275-34400	G-7	59240-40C20	G-10	61273-40C00	H-2	68111-12C00-ONE	F-5	68270-41C30-M15	H-10
51311-40C40	G-3	56500-41C01-H38	G-7	59300-40C01	G-9	61282-17C00	H-2	68111-12C00-33J	F-6	68280-41C00-F75	H-9
51351-40C40	G-2	56500-41C01-84N	G-7	59315-17C00	G-9	61411-40C00	H-5	68111-34320-0JW	H-8	68280-41C00-3SR	H-8
51352-13A60	G-2	56528-41C00	G-7	59345-33C00	G-9	61415-40C00	H-5	68111-34320-33J	H-9	68280-41C30-M05	H-10
51353-28A10	G-3	56600-41C01-H38	G-7	59371-33410	H-6	61431-40C00	H-2	68115-41C01-28V	F-5	68280-41C30-M11	H-10
51356-24B01	G-3	56600-41C01-84N	G-7	59440-40C20	G-10	62100-41C10	H-3	68115-41C10-M07	F-6	68280-41C30-M12	H-10
51410-40C40	G-3	56619-12C00	G-7	59480-41C10	G-10	62311-08300	H-3	68115-41C10-M08	F-6	68319-40C10	H-8
51451-41C00	G-3	56628-41C00	G-7	59491-40C01	G-10	62317-17C00	H-3	68115-41C10-M09	F-6		H-9
51580-17D10	G-2	57110-49501	G-8	59600-41C00	G-11	62317-40C10	H-2	68130-41C01-3SR	F-10		H-11
51590-17D10	G-2	57211-49500	G-8	59600-45850	G-11		H-3	68130-41C10-1MA	F-11	68612-48B00	H-8
51631-28000	G-3	57420-32C00	G-8	59664-48B00	G-11	62331-07D00	H-3	68130-41C10-1MF	F-11		H-9
51740-40C10	G-3	57430-40C00	G-8		G-12	62600-40830	H-3	68130-41C10-1MG	F-11		H-11
51750-40C21	G-4	57431-05A00	G-8	59666-44300	G-12	62521-17C00	H-3	68131-41C00-E95	F-10	68612-48B10	H-8
51759-40C21	G-4	57431-17C00	G-8	59667-04700	H-7						
51760-40C01	G-4	57437-32C00	G-8	59667-49460	G-11	62641-40C10	H-3	68131-41C00-H03	F-10		H-9
51766-40C40	G-2	57438-32C00	G-8		G-12	62647-04A00	H-6	68135-41C01-0FP	F-10		H-11
51781-40C41	G-4	57460-17C00	G-8	59668-41C00	G-11	62658-40C10	H-3	68140-41C01-3SR	F-10	68613-40C00	H-8
53110-17D20-ONE	G-5	57465-17C00	G-8		G-12	62684-40A10	H-3	68140-41C10-1MA	F-11		H-9
						63110-40C00	H-4	68140-41C10-1MF	F-11		H-11

PART NO.	ADDRESS NO.	PART NO.	ADDRESS NO.	PART NO.	ADDRESS NO.	PART NO.	ADDRESS NO.	PART NO.	ADDRESS NO.		
68680-41C00-OJW	H-8	94400-41C40-33J	H-9	94580-40C00	H-12	01517-06105	B-14	02112-74085	E-7	04221-08129	B-2
68680-41C30-1MM	H-10	94400-41C70-OJW	H-8	94590-40C00	H-12		E-11	02112-74125	H-7	06111-07004	F-4
68680-41C30-1MN	H-10	94400-41C80-E88	H-10	94610-41C00-0FP	H-11		H-4	02112-75165	E-8	06211-04063	D-5
68680-41C30-1MP	H-10	94400-41C80-L99	H-10	94610-41C00-OJW	H-8	01517-06125	E-7	02112-75208	F-4	07110-06165	B-4
68681-33C10-C11	H-8	94400-41C80-3WC	H-10		H-9	01517-06128	B-3	02122-06128	D-5		C-7
68681-33C10-C69	H-9	94415-41C00	H-13	94616-10D00	H-12		C-7	02122-06167	D-3		G-10
68690-41C00-OJW	H-8	94430-41C00-3SR	H-8	94631-18D00	H-11	01517-06164	C-5	02122-06255	F-8	07110-06255	B-7
68690-41C30-1MM	H-10	94430-41C50-3EE	H-9	94631-41C00	H-8		E-10		F-9		B-14
68690-41C30-1MN	H-10	94430-41C80-OJW	H-10		H-9	01517-06254	B-2	02142-05104	F-5		D-2
68690-41C30-1MP	H-10	94430-41C80-33J	H-10	95721-18D00	H-4		B-3		F-6	07110-06257	B-8
69100-17C00	H-6	94430-41C80-36X	H-10	95731-18D00	H-4	01517-06257	B-8	02142-05124	H-4	07110-06305	B-7
69100-17830	H-6	94435-17D00	C-7	99000-25030	H-14	01517-06305	B-3	02142-05128	E-11	07110-06355	B-7
69107-17C00	G-9	94440-41C00-3SR	H-8	99000-25110	H-14	01517-06307	B-14	02142-05164	C-5	07110-06405	B-5
69107-34200	H-6	94440-41C50-3EE	H-9	99000-25140	H-14	01517-06354	B-5		E-11		B-7
69130-06B00	H-6	94440-41C80-OJW	H-10	99000-31140	H-14	01517-06404	B-5	02142-06104	H-4	07110-06455	B-7
69141-45000	H-6	94440-41C80-33J	H-10	99000-32040	H-14	01517-06408	B-5	02142-06108	E-7	07110-06458	B-8
69142-45000	H-6	94440-41C80-36X	H-10	99000-32050	H-14	01517-06505	B-5	02142-06164	H-4	07110-06555	B-7
69211-17C00	H-5	94451-41C00	H-13	99000-32100	H-14	01517-06557	B-5	02142-06166	C-5	07110-06655	B-5
69412-27A00	H-5	94452-41C00	H-13	99000-32130	H-14	01517-06605	B-5	02142-06167	H-4	07110-06705	B-7
69480-41C10	H-7	94453-17C00	H-13	99000-69471	B-13	01517-06705	B-5	02142-06205	F-8	07110-06755	B-7
69600-16820	H-7	94454-41C00	H-13	99104-32020	H-14	01517-06805	B-5		F-9	07110-08125	B-2
69600-17C01	H-7	94470-41C20-3SL	H-8	99104-32030	H-14	01517-08128	G-2		H-13	07110-08255	C-6
69669-24A01	H-7	94470-41C30-F75	H-9			01517-08205	F-4	02142-06207	F-5	07110-08257	F-2
69670-48B00	H-7	94470-41C80-OJW	H-11			01517-08207	F-2		F-6	07110-08305	F-3
69672-05A00	H-7	94470-41C80-33J	H-11			01517-08254	F-4	02152-06165	B-3	07110-08306	E-4
69686-34200	H-7	94470-41C80-36X	H-11			01517-08304	F-4	03141-14125	F-10	07110-08307	G-7
69689-04A00	H-7	94480-41C20-3SL	H-8				H-6		F-11	07110-08357	F-2
69689-49300	G-11	94480-41C30-F75	H-9			01517-08407	C-6	03241-15125	F-10		F-3
	G-12	94480-41C80-OJW	H-11			01517-08605	B-5		F-11		G-4
69691-00A00	H-7	94480-41C80-33J	H-11	<b>00000</b>		01517-08908	E-3	03511-04165	E-8	07110-08407	G-4
69692-27A30	H-7	94480-41C80-36X	H-11	01104-05206	F-3	01517-10305	G-9	03541-04105	E-8	07110-08655	B-5
69693-05A00	H-7	94484-32B00	H-4	01107-06107	D-4	01517-10558	B-6	03541-04125	F-10		F-8
69720-17C00	H-5		H-12	01107-06125	H-4	02112-04126	F-7		F-11		F-9
69731-17C10	H-7	94490-06B00	H-12	01107-06257	D-6	02112-05105	G-12	04111-16158	G-9	07110-10357	F-2
69732-17C01	H-7	94493-06B00	H-12		H-7	02112-05106	C-4	04111-20158	H-7	07120-06125	H-4
69740-38B20	H-7	94498-17D01-0FP	H-9	01117-06165	F-8	02112-05107	E-4	04111-20208	H-2	07120-06208	G-4
69751-17C00	H-7	94498-17D01-OJW	H-11		F-9	02112-05128	C-3	04111-25158	F-4	07120-06255	B-12
		94498-17D01-ONG	H-8	01127-08166	C-6		C-4	04111-40408	H-5	07120-06308	B-9
		94498-17D01-33J	H-11	01137-06128	B-8	02112-05164	E-7	04211-09129	B-7	07120-06358	B-9
		94510-41C00	H-13	01137-08305	H-13	02112-05455	G-8		B-9		G-4
		94531-41C10	H-13	01137-08405	H-13	02112-06106	D-2		D-2	07120-10357	C-6
		94533-41C00	H-13	01187-08405	H-13	02112-06556	E-6	04211-09189	B-7	07120-10407	C-6
		94541-41C00	H-13	01421-06205	B-4	02112-34128	E-7	04221-04089	B-10	08110-69050	D-5
		94570-04A00	H-12	01421-06408	B-5	02112-35168	F-4	04221-07129	D-3	08123-62047	G-6
		94576-41C00	G-7	01421-06608	B-5	02112-36165	E-11	04221-07209	D-4	08211-10283	E-3
<b>90000</b>											

# M - 5

PART NO.	ADDRESS NO.	PART NO.	ADDRESS NO.	PART NO.	ADDRESS NO.	PART NO.	ADDRESS NO.	PART NO.	ADDRESS NO.		
08211-14323	H-3	08321-21064	H-12	09111-10036	F-3	09148-05019	F-10	09161-11008	B-2	09180-06146	E-6
08211-20341	D-3	08321-31086	C-2	09116-06064	F-10		F-11	09164-00007	D-2	09180-06152	E-5
08211-20381	H-2	08321-31087	F-2		F-11	09148-05038	F-10	09164-08015	F-3		H-12
08211-20382	H-2	08322-11088	H-2	09116-06097	F-5		F-11	09164-10005	F-2	09180-06167	B-14
08211-22341	D-3	08322-11128	B-6		F-6	09159-06017	B-5	09164-10010	F-4	09180-08124	C-7
08211-28361	D-3	08322-11188	H-2	09116-06111	H-2	09159-09001	B-10	09164-24006	D-2	09180-08130	G-4
08221-08126	G-4	08322-21067	H-7	09118-08080	C-6	09159-10020	B-6	09164-47001	D-2	09180-08149	F-4
08221-12205	B-9	08331-31086	D-5	09118-08131	C-7	09159-10027	F-2	09167-25013	D-3	09180-08157	C-6
08310-11045	E-7	08331-31129	B-9	09118-10060	B-6	09159-10058	B-6	09167-25019	D-4	09180-08163	F-8
08310-11057	E-7	08331-31136	H-5	09119-10060	H-5	09159-10069	B-3	09167-25021	D-3		F-9
08310-11067	F-3	08331-31256	D-5	09125-03105	G-8	09159-18007	H-2	09167-28001	D-4	09180-08166	H-13
08310-12108	D-6	08331-31286	D-3	09125-06029	C-5	09159-20004	D-4	09167-28008	D-4	09180-20103	G-6
08310-22055	E-9	08331-41426	D-5	09125-06038	E-5	09160-04014	E-8	09168-06018	B-5	09180-25081	D-4
08310-22055	E-10	08332-11068	F-4	09127-06015	G-7	09160-06006	E-5	09168-06023	B-14	09200-06037	H-7
08310-22086	C-2	08361-15055	E-8	09128-06006	F-7		F-2	09168-06024	B-7	09200-08057	F-4
08310-22088	G-7	08361-35066	E-2	09128-06013	E-6		F-8		B-8	09206-08001	B-3
08310-22107	F-3		E-6	09128-06024	E-2		F-9	09168-06026	F-7	09206-11005	B-5
08310-22127	F-4	09100-08240	C-6	09136-06062	F-10		H-4	09168-08008	B-2		B-7
08313-21085	H-13	09100-12060	B-6		F-11	09160-06056	E-10	09168-08021	B-5	09206-11014	B-11
08314-41088	H-2	09103-06026	B-3	09136-06083	F-10		H-12	09168-10002	D-5	09206-13004	B-5
08316-16055	E-3	09103-06067	B-5		F-11	09160-06059	E-10	09168-10031	B-3	09206-13006	B-4
08316-16064	B-4	09103-07001	B-12	09138-05003	D-6	09160-06069	F-8	09168-12002	B-5	09209-05011	D-6
	E-6	09103-08097	B-5	09139-05025	H-12		F-9	09168-12012	F-5	09209-11007	R-3
	G-8	09103-08098	B-5	09139-05032	H-12	09160-06092	E-8		F-6	09247-12103	B-5
08316-16088	F-3	09103-08105	B-5	09139-06026	E-11	09160-08002	C-6	09168-14004	B-3	09247-14001	B-8
08316-16105	C-6	09103-08160	H-2	09139-06027	E-11	09160-08010	F-2		B-6	09247-14032	B-3
08316-16106	B-3	09103-08182	B-5		F-3	09160-08043	F-4		B-8	09247-14034	B-3
08316-26055	H-12	09103-10050	H-3		H-12	09160-10013	F-2	09168-16002	B-8	09248-14005	B-6
08316-26066	E-10	09103-10139	B-6	09139-06028	H-12	09160-10031	F-4		C-7	09248-16003	B-6
08316-26105	E-9	09103-14005	B-11	09139-06030	G-5	09160-10060	B-3	09169-05012	F-5	09248-16010	B-8
08316-26106	E-3	09106-05017	F-5		H-12	09160-10066	C-6		F-6	09250-06004	F-8
08319-21065	G-8		F-6	09139-06039	H-12	09160-10094	E-9	09169-06025	H-4		F-9
08319-21066	F-2	09106-06059	B-7	09139-06056	F-8	09160-12020	D-5	09169-06051	F-5	09250-08007	H-4
	H-4	09106-06067	B-8		F-9	09160-15015	D-2		F-6	09250-08012	C-6
08319-31065	G-8	09106-06072	B-5	09139-06075	F-8	09160-18022	D-6	09169-06060	H-4	09250-30010	E-10
08319-31067	F-8	09106-07009	B-2		F-9		F-3	09169-25001	D-3	09259-20012	B-7
	F-9	09106-07010	B-2	09139-08007	G-5		D-2	09180-06002	H-2	09261-05003	D-5
08319-31087	G-4	09106-08005	F-2	09139-08009	H-7	09160-25056	D-2	09180-06044	E-10	09261-05006	B-9
08319-31105	C-6	09106-08048	H-2	09140-04006	E-10	09161-05017	H-12		F-8	09262-20042	H-5
08319-31107	H-3	09106-08062	G-6	09140-06011	D-6	09161-06021	G-5		F-9	09262-20114	H-5
08319-31128	H-5		H-5	09140-24014	D-2		H-12	09180-06072	F-5	09262-25051	D-3
08319-31148	B-6	09106-10022	G-3	09141-20004	H-5	09161-09003	C-5		F-6	09262-25073	H-5
08321-21046	H-3	09108-10081	B-4	09148-04024	F-10	09161-10009	G-10	09180-06073	C-5	09263-15003	D-2
	E-10	09108-10099	B-4		F-11		G-12	09180-06143	F-10	09263-17034	H-3
	F-7	09108-10108	B-4	09148-04032	H-12		H-7		F-11	09263-20040	D-4

# M - 6

PART NO.	ADDRESS NO.	PART NO.	ADDRESS NO.	PART NO.	ADDRESS NO.	PART NO.	ADDRESS NO.	PART NO.	ADDRESS NO.
09263-20049	D-3	09320-10038	F-5		E-11	09800-20032	H-4		
09263-20071	H-2		F-6	09407-09402	F-8				
	H-3	09320-12031	F-8		F-9				
09263-25024	H-2		F-9	09407-11401	E-11				
09263-35017	D-2	09320-12057	C-6	09407-14403	E-4				
09263-43001	D-5	09320-14017	F-5		E-11				
09265-25008	G-3		F-6	09407-18402	E-11				
09265-30009	G-3	09321-06023	E-10		H-3				
09267-25011	D-4	09329-05005	E-5	09407-22404	C-7				
09269-08003	G-4	09352-50823-00A	F-5	09407-25401	C-7				
09280-04004	B-5		F-6		E-11				
09280-12008	C-7	09352-50823-300	B-3	09408-00002	E-11				
09280-14011	B-4	09352-50823-600	F-5	09409-07305	E-11				
09280-15007	B-4		F-6	09440-04003	D-5				
09280-17002	B-6	09352-70103-300	F-7	09440-04010	D-6				
09280-17003	B-7	09360-08009	B-2	09440-05003	F-4				
09280-18009	B-8	09360-10017	G-10	09440-09027	B-8				
	B-9		G-12	09440-13047	F-7				
09280-21008	B-5		H-7	09440-14019	B-12				
09280-22016	B-9	09360-20002	C-7	09443-06012	E-11				
09280-25001	D-4	09380-25003	D-3	09443-09031	D-5				
09280-36001	D-6	09380-25013	D-3	09443-13018	F-3				
09280-40010	B-3	09381-10004	B-3	09443-14058	F-3				
09283-34005	D-4	09381-20004	B-10	09443-19011	F-3				
09285-06015	D-2	09381-84002	D-2	09444-26017	D-5				
09285-12002	D-5	09384-12001	D-5	09448-19020	F-4				
09285-20006	D-3	09385-08005	G-7	09462-00093	F-2				
09285-28002	H-5	09390-62011	D-3	09471-12045	E-9				
09285-34007	G-3		D-4	09471-12058	E-10				
09285-35001	H-5	09400-16302	H-7	09471-12060	E-8				
09289-05011	B-12	09401-10201	F-7	09471-12081	E-8				
09300-22005	D-3	09401-10403	F-7	09471-12083	E-10				
09300-28002	D-3	09401-13406	C-5	09471-12103	E-7				
09301-25001	D-3	09401-16402	C-5	09471-12108	E-7				
09308-07013	E-10	09402-43501	H-3	09481-10101	E-11				
09320-04007	H-12	09402-56208	B-3	09481-20101	E-11				
09320-08013	F-10	09402-64205	C-5	09482-00389	B-3				
09320-08018	F-11	09403-38401	C-7	09482-00391	B-3				
09320-08048	E-10	09404-04402	E-7	09491-25010	C-2				
	F-8	09404-05403	E-11	09492-40014	C-2				
09320-08051	F-9	09404-06402	G-7	09493-14002	B-5				
09320-09016	E-8	09404-06403	E-11	09493-24010	B-5				
09320-09021	H-12	09404-06404	E-11	09493-25003	C-3				
09320-09034	E-5		H-3	09493-80008	B-5				
	E-8	09404-10404	C-5	09494-00721	C-2				