

HOW TO USE MICROFICHE PARTS CATALOGUE

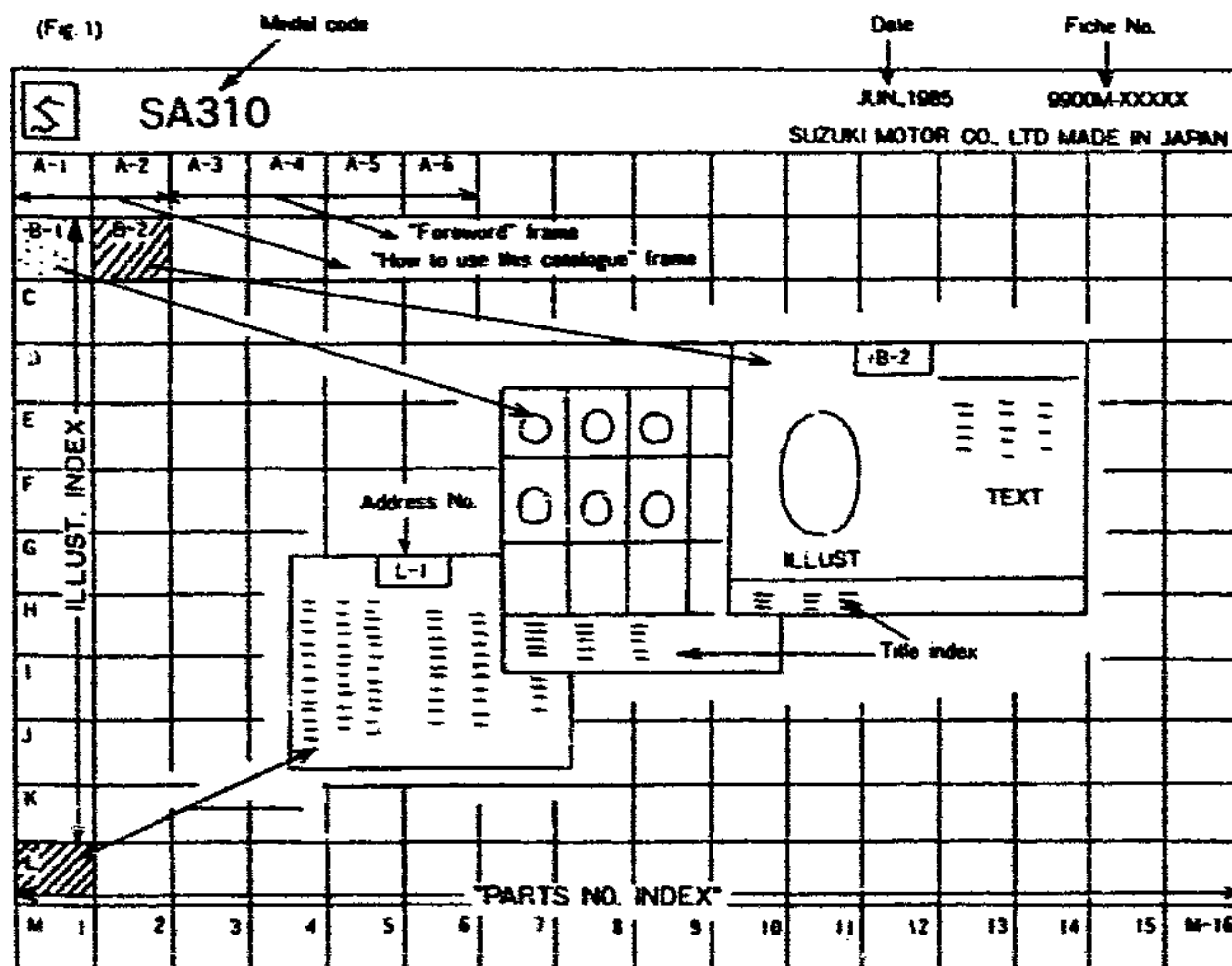
The microfiche parts catalogue we have newly prepared (hereinafter referred to as MICROCATALOGUES) have the same contents as those contained in the usual book-type parts catalogues.

If you have a microfiche reader (hereinafter referred to as READERS), you can read the information contained on the microfiche film you have, but you will still be faced with the problem of how to find the wanted film CATALOGUES, the contents are arranged according to a certain rule, and if you learn this rule by heart, any frame of the microfiche film, containing the wanted information, can be found quickly, with the use of the index plate which is attached to the READER.

It is important that you always use the index plate when looking for a certain frame in the microfiche film.

A. Composition of the MICROCATALOGUES

Now, you are going to learn the arranging "rule" of information in the MICROCATALOGUES, the "rule" determining which kinds of information are located at which parts of the microfiche films in the MICROCATALOGUES with the help of the drawing below.



Let us explain Fig. 1

- 1) Our MICROCATALOGUES consist of microfiche films each having 208 frames arranged in 13 horizontal rows (columns A through M) by 16 vertical columns (row 1 through 16).
- 2) The top space above the horizontal row A is the title space where the model code, catalogue date, and other information are printed.
- 3) File Number
Since each microfiche film contains only up to 416 pages of the book catalogues, two, three or more films are sometimes required to contain a complete catalogue. In these cases, each microfiche film composing a certain MICROCATALOGUE is indentified by a consecutive file number printed at the upper right hand corner.
- 4) Date
The date on which the MICROCATALOGUE is prepared is indicated.
- 5) "How to use this catalogue"
The frames identified by the address Nos. A-1, A-2 and A-3 contains the explanation on how to use the MICROCATALOGUE.
- 6) Foreword
The frames identified by the address Nos. A-4 and A-5 contain the same foreword as contained in the book-form catalogues.
- 7) Illust. index
All the frames in the leftmost vertical column except the top one (B-1 through K-1) contain illustration indexes.
Each index contains all the illustrations belonging to the respective blocks such as the engine block, electric block, and frame block, in reduced forms extracted from the MICROCATALOGUE proper, with the relevant titles and address Nos. shown.
- 8) Title index
In the space below the array of reduced illustration pages in each of the illustration index frames, the titles and the related address Nos. of all the reduced illustration pages shown in the upper space of that frame are listed to serve as title indices.
The same title indices are also listed in the lower space of each of the illustrated text frames.
- 9) Parts No. index
All the frames in the bottom horizontal column (M-1 through M-16, or both of L & M in case of two microfiches existed) are for parts No. indices. All the parts Nos. contained in the MICROCATALOGUE are arranged orderly together with the respective address Nos.

B. Indexing system

Along with information contained in microfiche films, the indexing system is a major factor. In our MICROCATALOGUES, the following three indexing systems are utilized:

B-1 Indexing systems

1) Illust. index

The illust. indices are for finding parts of which the shapes are known.

NOTE: Sometimes, small parts are difficult to indentify in the illustrations by their shapes. For these parts, you should look for some larger parts to which the parts in question are attached.

2) Title index

This index system is for finding parts when the name of the principal parts to which they are related is known.

NOTE:1 For the titles of the illustration pages, only the name of the most representative piece in the page is adopted (for example, the name of an assembly part).

This means that the names of most small parts cannot be found in the parts name index list. You must always look for a major part to which the wanted parts belong, when looking for these parts, using the part name index list.

NOTE:2 When there are more titles than the title index space of one frame can accept in one catalogue, the titles are divided into several blocks (ex., engine block, frame block, etc.).

3) Parts No. Index

This index system is for finding parts when the part Nos. are known.

B-2 Indexing procedures

Now, let us explain the procedure for finding wanted frames with the help of the three indexing systems.

a. Finding wanted parts in the MICROCATALOGUE

a-1 How to find the parts Nos. of parts of which the shapes are known.

Procedure 1

Shift the fiche carrier until the B-1 square on the index plate is brought directly under the carrier needle.

Procedure 2

Now, the illust. index printed in the frame B-1 is projected on to the screen. Try to find an illustration in which the wanted part is shown, among the array of reduced illustrations projected.

Procedure 3

If you found an illustration in which the wanted part is shown, go on to Procedure 4. If the wanted part is not found in any of the illustrations in the frame B-1, shift the fiche carrier to C-1 and try to find an illustration in which the wanted part is shown among the arrayed reduced illustrations. If the wanted part is not found in any of the reduced illustrations, shift the fiche carrier to D-1, then to E-1 and so on to K-1.

Procedure 4

Make a note of the address No. of the illustration in which the wanted part is shown.

Procedure 5

Shift the fiche carrier until the square corresponding to the address No. found in the procedure 4 or 9 is brought under the carrier needle.

Procedure 6

Check the address No. of the projected square.

Procedure 7

Look for the wanted part in the illustration on the left half of the screen, and read the identification number of this part.

Procedure 8

Look for the obtained identification number in the text page in the right of the screen, and read the relevant information. This is how one part is found with the help of the illust. index system.

a-2 To find another part proceed as follows:

- 1) If the shape of the next wanted part is known, again project the frame B-1 and go through the procedures 2 through 9.
- 2) If the name of the next wanted part is known, try to find the address No. in the title index list shown in the lower portion of the screen, and carry out the procedures 5. (Title index)
- 3) If the part No. of the next wanted part is known, project the L-1 or M-1 frame and read the address No. corresponding to the known part No. Then, carry out the procedures 5. (Part No. index)

Make full use of the three index systems in each case as explained above.

NOTE: After reading the required information, you should switch off the READER and put the microfiche back in the file.

PREFACE

When it becomes necessary to replace parts on SUZUKI MOTORCYCLES, always use SUZUKI GENUINE PARTS which have passed a strict inspection which guarantees quality and performance.

This parts catalogue covers the list of all service parts for SUZUKI GSX-R1100K, GSX-R1100L.

INSTRUCTIONS FOR QUOTING THE CATALOGUE

1. DIMENSIONS

Dimensions of the parts in this catalogue are indicated in unit millimeters.

2. ABBREVIATIONS

Abbreviations used in this catalogue are as follows:

- | | | | |
|---------|---------------------------|-----|-------------------|
| AR | : As required | NT | : Number of teeth |
| ASSY | : Assembly | OPT | : Optional |
| E.No. | : Engine number | OS | : Over size |
| F.No. | : Frame number | STD | : Standard |
| d | : Diameter of material | T | : Thickness |
| ID | : Inside diameter | US | : Under size |
| OD | : Outside diameter | W | : Width |
| L | : Length | | |
| LH | : Left hand side | | |
| RH | : Right hand side | | |
| ~100045 | : Up to F.No.GV73A-100045 | | |
| 100046~ | : From F.No.GV73A-100046 | | |

12 x 34 x 2.6 Figures in the description column show the dimensions of parts.

ID OD T(or W,L)

3. INNER PARTS OF ASSEMBLY

Part name with a dot (.) in front as shown in the description column indicates the component of the assembly also available individually.

4. MODIFICATION NOTICE

A parts bulletin will be sent to you on all occasions when changes in parts occur, including interchangeable modifications between new parts and old ones.

5. NOTE

- 5-1. There are some different parts from those of production models among spare parts for the administrative reasons and common use of them with other models.
- 5-2. In respect of rubber hoses and vinyl tubes, please be sure to use them by cutting off according to the length mentioned on parts catalogue or what is actually required on the vehicle.
- 5-3. Note that the drawings on the illustration page are for ready reference of spare parts number, not to be used as an assembly manual. When assembling, use "SUZUKI SERVICE MANUAL".

6. SERIAL FRAME NUMBER

- GSX-R1100K : JS1GV73A K2100001~
- GSX-R1100L : JS1GV73A L2100001~

PREFACE

Quand il devient nécessaire de remplacer des pièces sur SUZUKI MOTOCYCLETTES toujours utiliser les PIÈCES D'ORIGINE SUZUKI qui ont été soumises à des contrôles de qualité sévères leur garantissant qualité et performance impeccables.

Ce catalogue de pièces détachées couvre la liste de toutes les pièces de rechange pour SUZUKI GSX-R1100K, GSX-R1100L.

INSTRUCTIONS POUR UTILISER LE CATALOGUE

1. DIMENSIONS

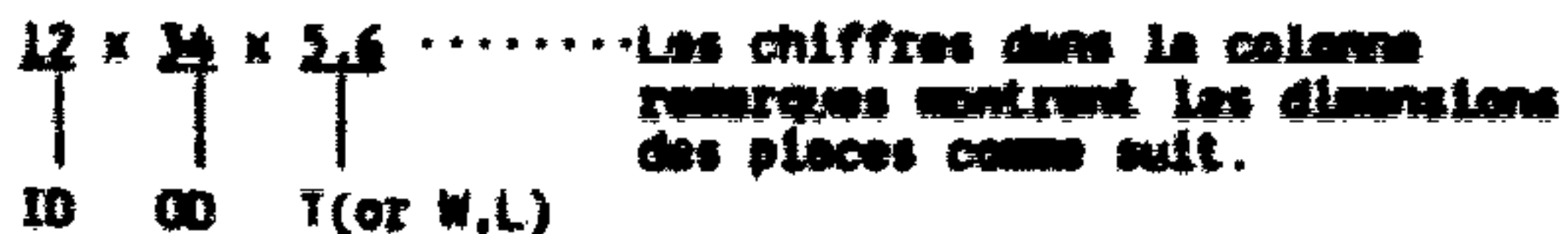
Les dimensions des pièces dans ce catalogue sont indiquées en unités de millimètres.

2. ABBREVIATIONS

Les abréviations utilisées dans ce catalogue sont les suivantes:

- | | | | |
|-------|----------------------|-----|--------------------|
| AR | : Comme requis | NT | : Nombre de dents |
| ASSY | : Assemblage | OPT | : Sur option |
| E.No. | : Numéro du moteur | OS | : Sur-dimensionné |
| F.No. | : Numéro du châssis | T | : Epaisseur |
| ID | : Diamètre intérieur | US | : Sous-dimensionné |
| OD | : Diamètre extérieur | W | : Largeur |

- L : Longueur
- LH : Côté gauche
- RH : Côté droit
- ..100045 : Jusqu'à F.No.GV73A-100045
- 100046- : Depuis F.No.GV73A-100046



3. PIÈCES INTERNES DE L'ASSEMBLAGE

Les numéros de pièces qui comportent un point (.) avant la désignation de pièce détachée indique la pièce interne se rapportant à l'assemblage.

4. AVIS DE MODIFICATION

Un bulletin de pièces détachées vous sera envoyé à tout moment opportun quand des changements de pièces ont lieu, y compris les modifications de pièces interchangeables entre les nouvelles et anciennes pièces.

5. A NOTER

- 5-1. Il existe certaines pièces différentes de celles de rechange pour les modèles de production vu des raisons administratives et dont l'usage est commun avec celles d'autres modèles.
- 5-2. Concernant les durites en caoutchouc et les tuyaux en vinyle, ne pas manquer de les couper à la bonne longueur comme indiqué dans le catalogue des pièces détachées ou selon ce qui est utile pour le véhicule affecté.
- 5-3. Noter que les dessins à la page d'illustration servent à titre de référence pour les numéros de pièces détachées, et non pas comme référence pour l'assemblage. Pour cette dernière opération, se reporter au "MANUEL D'ENTRETIEN SUZUKI".

6. NUMÉRO DE SÉRIE DU CADRE

- GSX-R1100K : JS16V73A K2100001-
- GSX-R1100L : JS16V73A L2100001-

COLOR CHART
TABLEAU DES COULEURS
CUADRO DE COLORS
FARBTABELLE

COLOR NO. NO DE COULEUR NO. DE COLOR FARBCODE	COLOR DESCRIPTION DESCRIPTION DE COULEUR DESCRIPCIÓN DE COLOR FARBESCHREIBUNG	COLOR NO. NO DE COULEUR NO. DE CGLOR FARBCODE	COLOR DESCRIPTION DESCRIPTION DE COULEUR DESCRIPCIÓN DE COLOR FARBESCHREIBUNG
OFR	MEDIUM GOLD NO.2	28W	SPECIAL WHITE
OGC	BEAM GREEN	3BK	0HB,0HC,0HD
0HB	RACING DARK BLUE	3CG	33J,17U
0HC	RACING MEDIUM BLUE	3CH	33J,20H
0HD	RACING LIGHT BLUE	3EE	33J,28V
0JW	PEARL STILL WHITE	3SH	0JW,0NE
0NE	BLUE	3SM	0JW,08L,39K
0PP	T.SPARKLE RED	3TS	08L,39K
0PR	T.SPARKLE BLACK	3TU	08L,39K,0NE
07G	PURE RED (TAPE)	3YZ	0NE,07G
08L	LIGHT BLUE (TAPE)	3ZG	0JW,0NE,39K,0PP
12R	TIGHT SILVER METALLIC	3ZJ	33J,742,0PR
17U	URBAN GRAY METALLIC	33J	PEARL NOVELTY BLACK
2FF	39K,33N	33N	MARBLE PARSEC BLUE
2GR	33N,07G,39K	39K	MARBLE EUROPEAN BLUE
2GS	22R,07G,39K,33N	5NN	PARSEC BLUE NO.2
2GZ	22R,39K	5YN	FREYJA RED NO.2
2RM	742,33J	58R	BLACK
2YL	28V,742,33J	742	SILVER METALLIC (TAPE)
20H	WARM SILVER METALLIC	8SH	742,28V
22R	PEARL COOL WHITE	9SR	22R,33N
28V	MARBLE ITALIAN RED		

MILLIMETER → INCH CONVERSION CHART
TABLEAU DE CONVERSION DE MILLIMETRES → POUCES
CUADRO DE CONVERSION A UNIDAD DE MILIMETRO → PULGADA
MILLIMETER → ZOLL UMRECHNUNGSTABELLE

	0	1	2	3	4	5	6	7	8	9
00	.000	.039	.079	.118	.157	.197	.236	.276	.315	.354
10	.394	.433	.472	.512	.551	.591	.630	.669	.709	.748
20	.787	.827	.866	.906	.945	.984	1.024	1.063	1.102	1.142
30	1.181	1.220	1.260	1.299	1.339	1.378	1.417	1.457	1.496	1.535
40	1.575	1.614	1.654	1.693	1.732	1.772	1.811	1.850	1.890	1.929
50	1.969	2.008	2.047	2.087	2.126	2.165	2.205	2.214	2.283	2.323
60	2.362	2.402	2.441	2.480	2.520	2.559	2.598	2.638	2.677	2.717
70	2.756	2.795	2.835	2.874	2.913	2.953	2.992	3.031	3.071	3.110
80	3.150	3.189	3.228	3.268	3.307	3.346	3.386	3.425	3.465	3.504
90	3.543	3.583	3.622	3.661	3.701	3.740	3.780	3.819	3.858	3.898

How to read
Mode de lecture
Modo de leer
Anleitung

	0	1	2	3	4
00	---	---	---	---	---
10	---	---	---	---	---
20	---	---	---	0.906	---
30	---	---	---	---	---

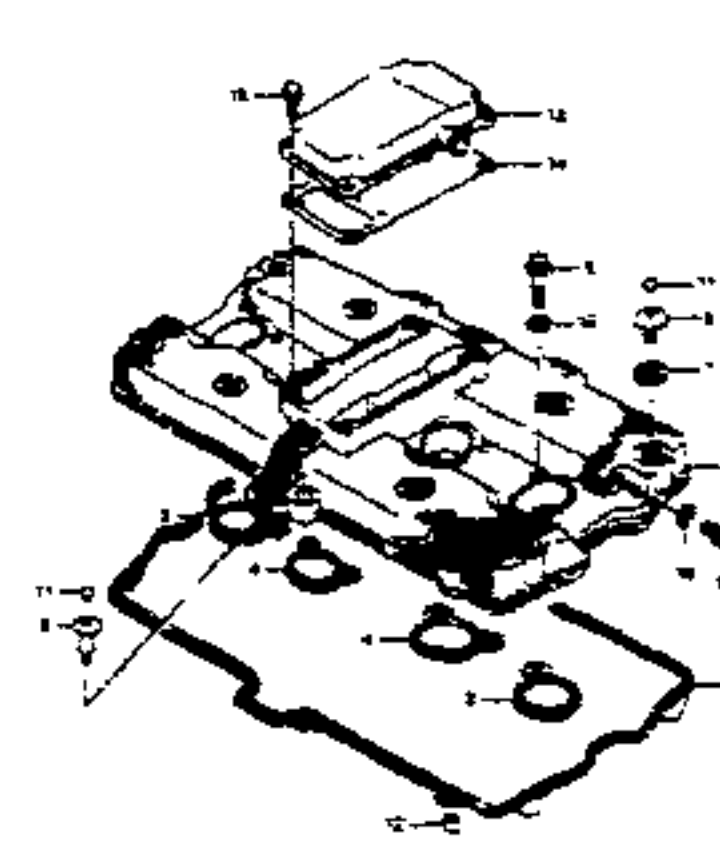
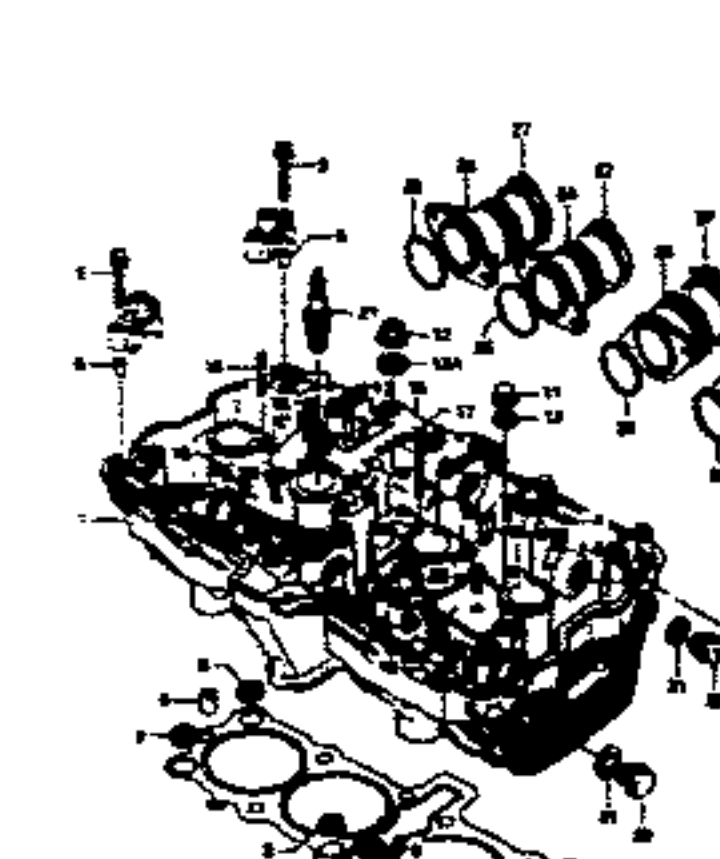
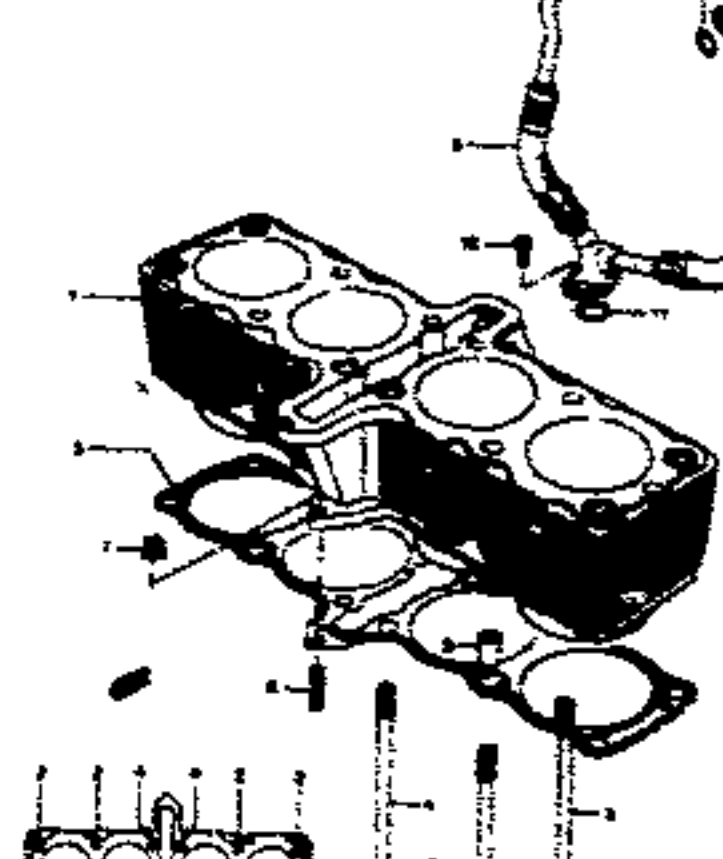
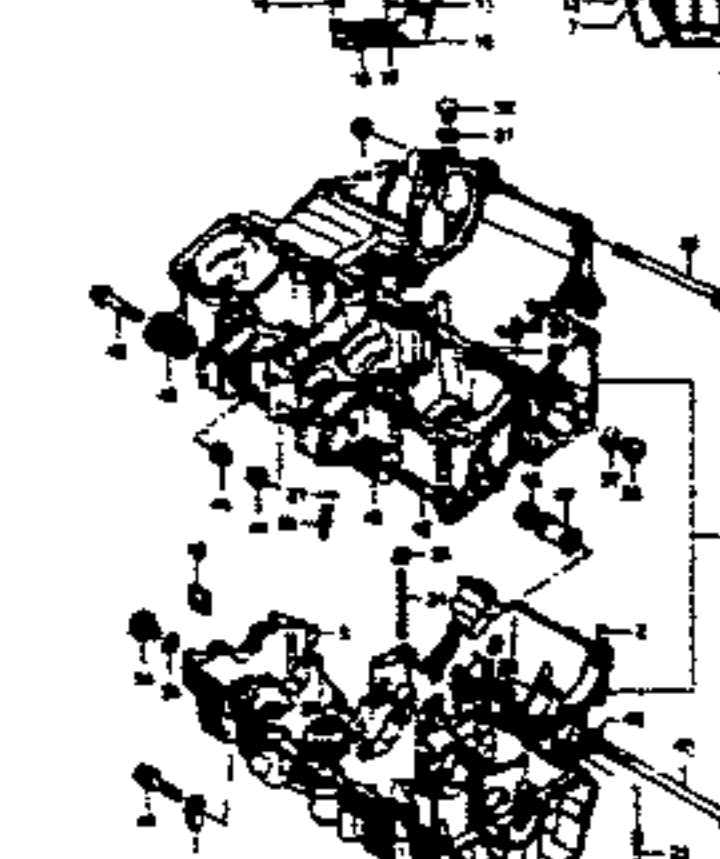
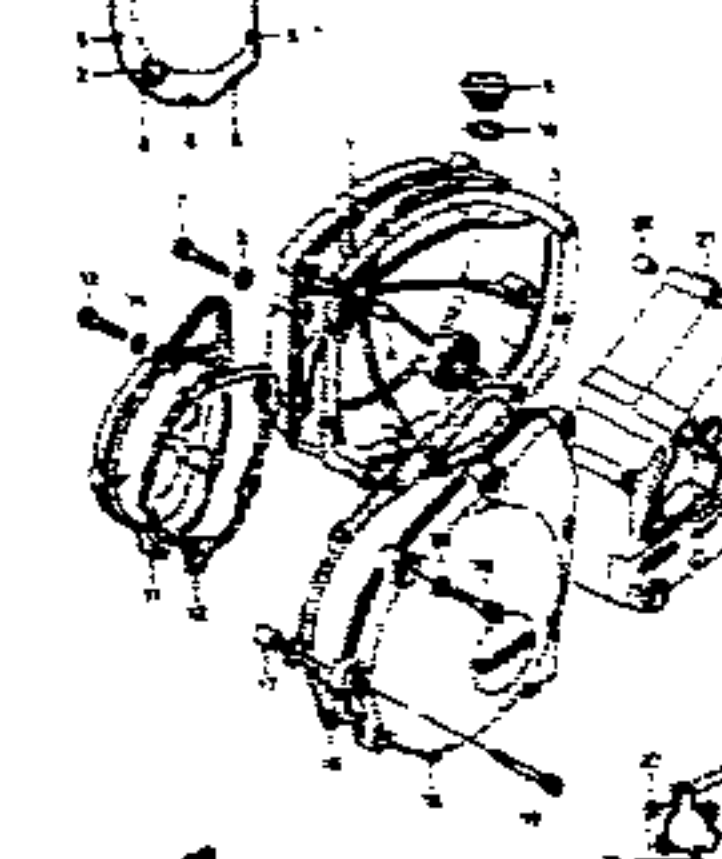
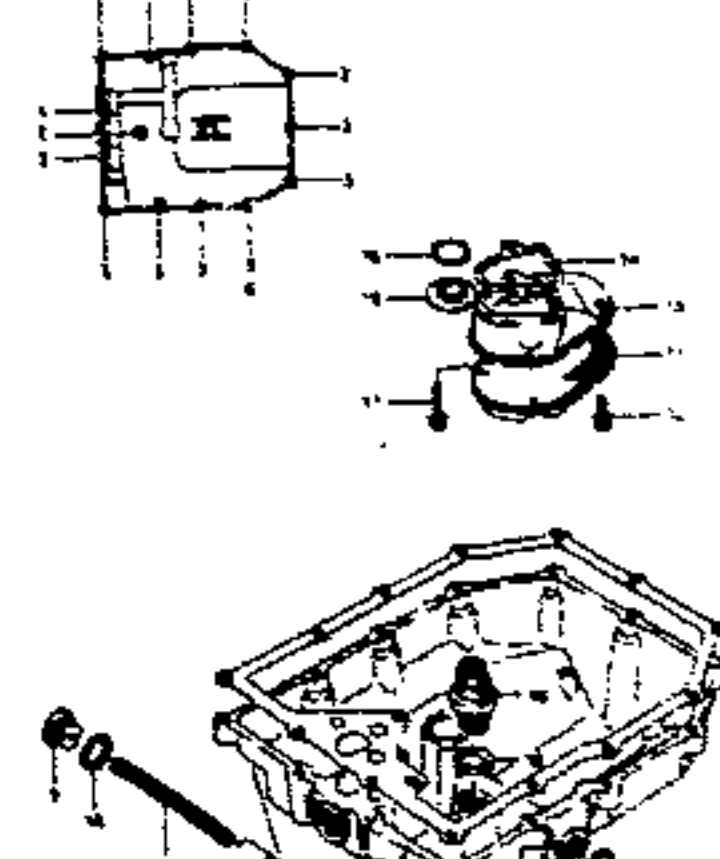
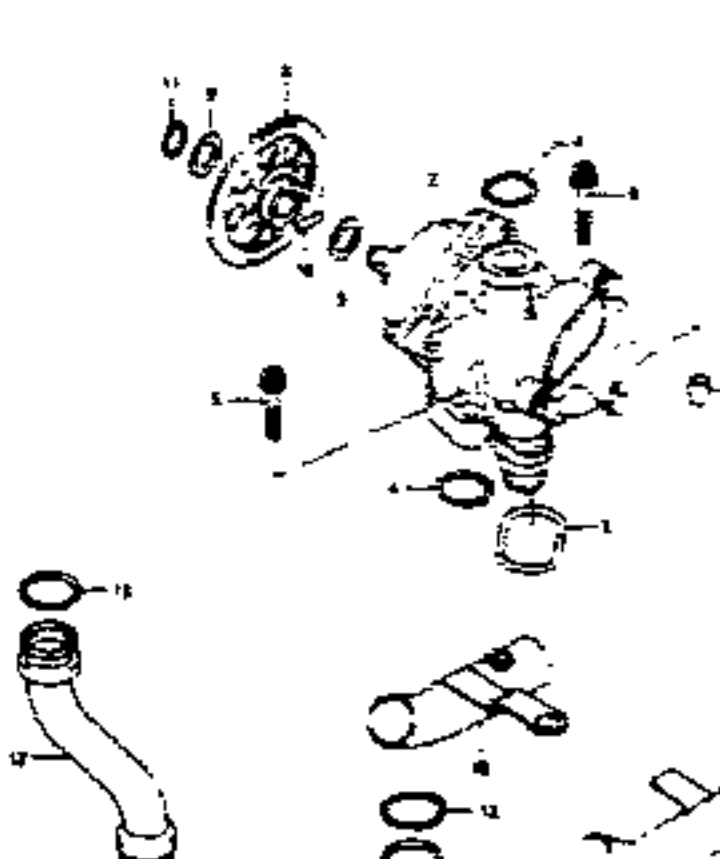
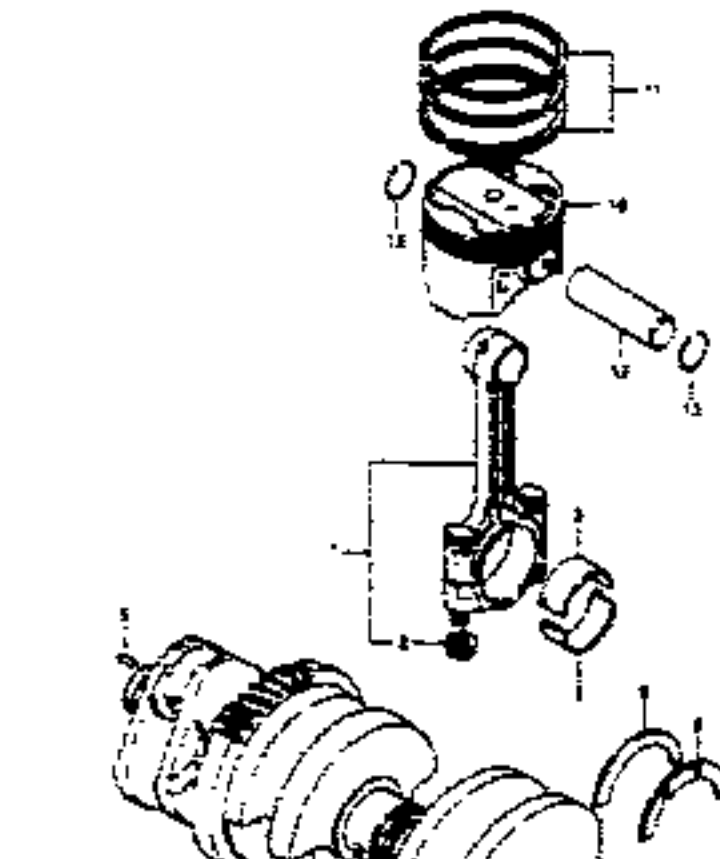
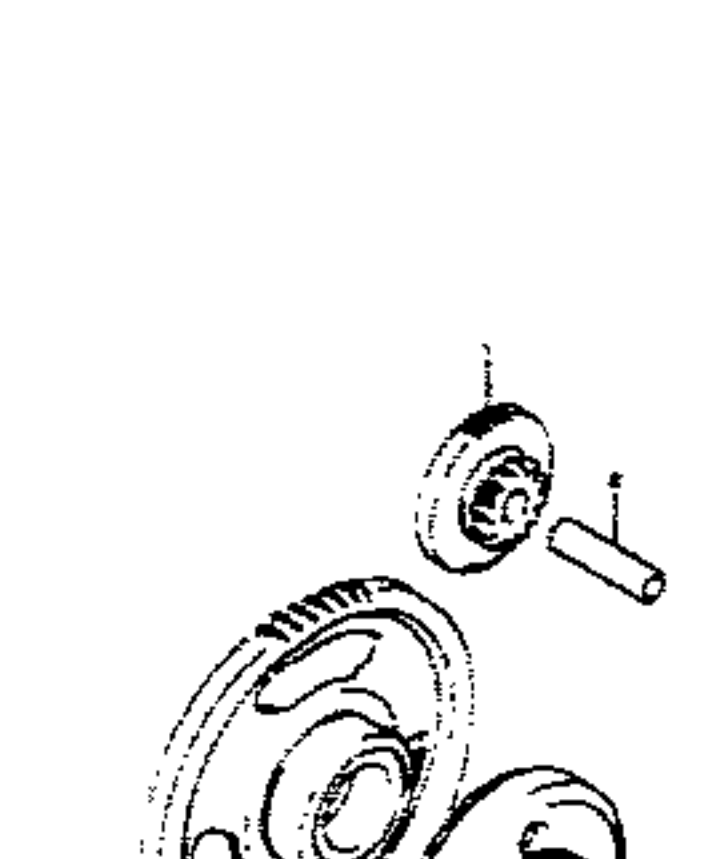
23 millimeters equal 0.906 inch
23 millimètres égalent 0.906 pouce
23 milímetros = 0.906 pulgada
23 millimeter entspricht 0.906 zoll

Contents are subject to change without notice or obligation.

Les matières traitées sont susceptibles d'être modifiées sans préavis obligation de notre part.

El contenido está sujeto a modificaciones sin previo aviso.

Änderungen vorbehalten.

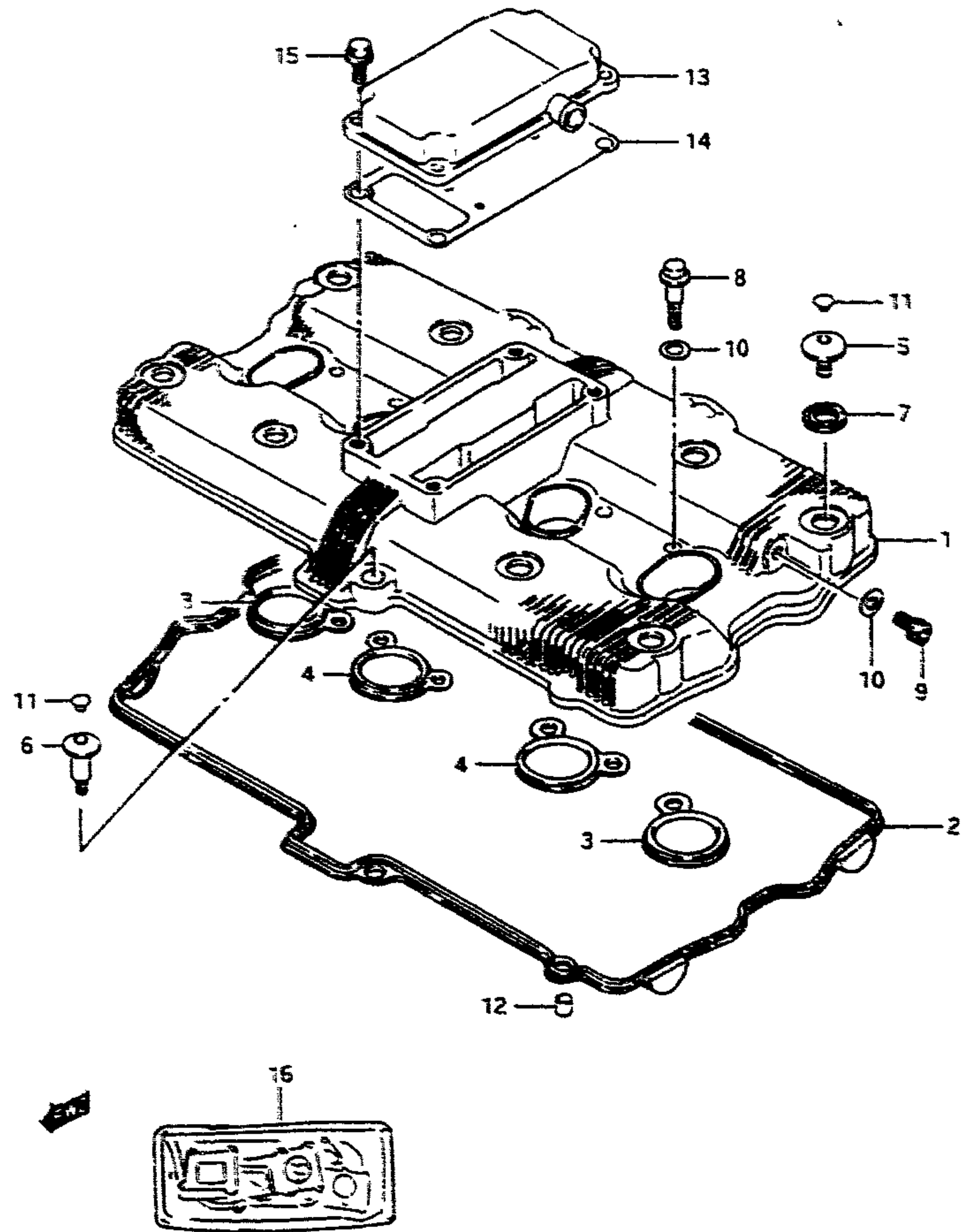
CYLINDER HEAD COVER B-2 	CYLINDER HEAD B-3 	CYLINDER B-4 	CRANKCASE B-5 	CRANKCASE COVER B-7 	OIL PAN B-8 
OIL PUMP B-9 	CRANKSHAFT B-10 	STARTER CLUTCH B-11 			

AIR CLEANER.....C-7	CLUTCH HOSE.....H-10	CYLINDER HEAD COVER..B-2	FRONT FENDER.....G-7	HEADLAMP.....E-9	REAR FENDER.....i-6	STAND.....F-3	WIRING HARNESS..E-12
ALTERNATOR.....E-3	CLUTCH MASTER CYL..H-9	ELECTRICAL.....E-7	FRONT MASTER CYL..H-8	MUFFLER.....C-8	REAR MASTER CYL..i-11	STARTER CLUTCH..B-11	
BATTERY.....E-6	COWLING.....J-4	FOOTREST.....F-4	FRONT WHEEL.....G-9	OIL COOLER.....C-9	REAR SWING ARM...i-2	STARTING MOTOR..E-2	SERIAL FRAME NUMBER
CAM CHAIN.....C-3	CRANKCASE.....B-5	FRAME.....F-2	FUEL COCK.....F-8	OIL PAN.....B-8	REAR WHEEL.....i-8	STEERING DAMPER..G-6	GSX-R1100K : JS1GV73A K2100001~
CAM SHAFT.....C-2	CRANKCASE COVER..B-7	FRAME COVER.....F-11	FUEL TANK.....F-6	OIL PUMP.....B-9	SEAT.....F-9	STEERING STEM...G-4	GSX-R1100L : JS1GV73A L2100001~
CARBURETOR.....C-4	CRANKSHAFT.....B-10	FRONT BRAKE HOSE...H-6	GEAR SHIFT.....D-5	OPTIONAL.....J-10	SEAT TAIL COVER..F-10	TAIL LAMP.....E-11	
CARBURETOR FITT..C-6	CYLINDER.....B-4	FRONT CALIPERS....H-5	HANDLE SWI.....H-4	REAR CALIPER.....i-10	SIGNAL GENERATOR..E-5	TRANSMISSION....D-3	
CLUTCH.....D-2	CYLINDER HEAD....B-3	FRONT DAMPER.....G-2	HANDLEBAR.....H-2	REAR CUSHION LEVER..i-4	SPEEDOMETER.....E-8	TURN SIGNAL LAMP..E-10	

FIG.1

B - 2

FIG.1 (B- 2) CYLINDER HEAD COVER



REF.NO.	PART NO.	DESCRIPTION	Q'TY	REMARKS
1	11171-17C00	COVER, cylinder head	1	
2	11173-06B02	GASKET, head cover No.1	1	
3	11178-27A01	GASKET, head cover No.2	2	
4	11179-27A02	GASKET, head cover No.3	2	
5	09106-07009	BOLT (L:5.5)	8	
6	09106-07010	BOLT (L:19)	2	
7-1	09161-11006	WASHER (T:2.0)	8	model K
7-2	09161-11008	WASHER (T:2.3)	8	model L
8	09360-08009	BOLT, union	4	
9	07110-08125	PLUG, head cover	2	
10	09168-08008	GASKET	6	
11	09250-06008	CAP	10	model K
12	04221-08129	PIN	2	
13-1	11176-40C00	COVER, breather	1	model K
13-2	11176-48B10	COVER, breather	1	model L
14	11177-48B00	GASKET, breather cover	1	
15	01517-06205	BOLT	4	
16	11401-48B12	GASKET SET	1	OPT

GSX-R1100L E28

GSX-R1100L E28

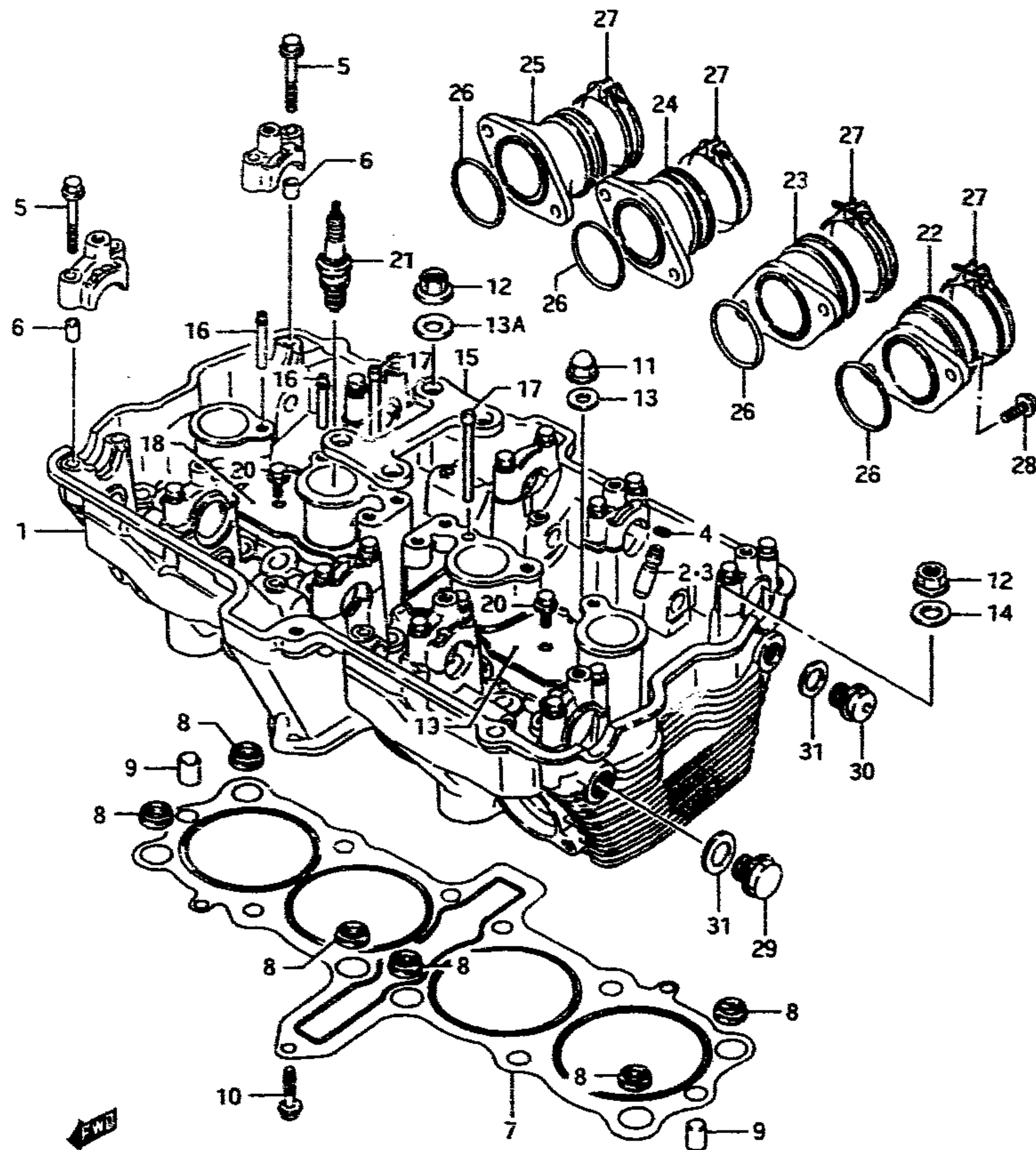
AIR CLEANER.....C-7	CLUTCH HOSE.....H-10	CYLINDER HEAD COVER..B-2	FRONT FENDER.....G-7	HEADLAMP.....E-9	REAR FENDER.....I-6	STAND.....F-3	WIRING HARNESS..E-12
ALTERNATOR.....E-3	CLUTCH MASTER CYL..H-9	ELECTRICAL.....E-7	FRONT MASTER CYL..H-8	MUFFLER.....C-8	REAR MASTER CYL..I-11	STARTER CLUTCH..B-11	
BATTERY.....E-8	CONVING.....J-4	FOOTREST.....F-4	FRONT WHEEL.....G-9	OIL COOLER.....C-9	REAR SWING ARM...I-2	STARTING MOTOR..E-2	SERIAL FRAME NUMBER
CAM CHAIN.....C-3	CRANKCASE.....B-5	FRAME.....F-2	FUEL COCK.....F-8	OIL PAN.....B-8	REAR WHEEL.....I-8	STEERING DAMPER..G-6	GSX-R1100Y : JSIGV73A K2100001~
CAM SHAFT.....C-2	CRANKCASE COVER..B-7	FRAME COVER.....F-11	FUEL TANK.....F-6	OIL PUMP.....B-9	SEAT.....F-9	STEERING STEM...G-4	GSX-R1100L : JSIGV73A L2100001~
CARBURETOR.....C-4	CRANKSHAFT.....B-10	FRONT BRAKE HOSE...H-6	GEAR SHIFT.....D-5	OPTIONAL.....J-10	SEAT TAIL COVER..F-10	TAIL LAMP.....E-11	
CARBURETOR FITT..C-6	CYLINDER.....B-4	FRONT CALIPERS.....H-5	HANDLE SWI.....H-4	REAR CALIPER.....I-10	SIGNAL GENERATOR..E-5	TRANSMISSION....D-3	
CLUTCH.....D-2	CYLINDER HEAD....B-3	FRONT DAMPER.....G-2	HANDLEBAR.....H-2	REAR CUSHION LEVER..I-4	SPEEDOMETER.....E-8	TURN SIGNAL LAMP..E-10	

FIG.2

B - 3

2

FIG.2 (B-3) CYLINDER HEAD



REF.NO.	PART NO.	DESCRIPTION	Q'TY	REMARKS
1	11100-40C00	HEAD ASSY, cylinder	1	
2	11116-06B70	.GUIDE, valve, IN	8	
3	11116-06B70	.GUIDE, valve, EX	8	
4	09381-10004	.RING, valve guide	16	
5	09103-06026	.BOLT	20	
6	09206-08001	.PIN	20	
7	11141-48B20	GASKET, cylinder head	1	
8	11143-48B01	O RING	6	
9	09209-11007	PIN	2	
10	01517-06254	BOLT	1	
11	09159-10069	NUT	4	
12	08316-16106	NUT	8	
13	09168-10031	GASKET	4	
13A	09168-10031	GASKET	4	model L
14	09160-10060	WASHER	4	
15-1	11138-40C00	PLATE, head reinforcement	1	model K
15-2	11138-40C10	PLATE, head reinforcement	1	model L
16	11131-27A00	PIPE, oil No.1,2	4	
17	11133-27A00	PIPE, oil No.3	2	
18	11135-27A02	PLATE, oil pipe RH	1	
19	11136-27A02	PLATE, oil pipe LH	1	
20	01517-06128	BOLT	4	
21-1	09482-00389	SPARK PLUG (NGK, JR98)	4	
21-2	09482-00391	SPARK PLUG (NGK, JR108)	4	OPT
22	13110-40C00	PIPE, intake LH	1	
23	13120-40C00	PIPE, intake ML	1	
24	13130-40C00	PIPE, intake MR	1	
25	13140-40C00	PIPE, intake RH	1	
26	13115-27A01	O RING	4	
27	09402-52208	CLAMP	4	
28	02152-06165	SCREW	8	
29	09247-14034	PLUG, cylinder head EX	2	
30	09247-14032	PLUG, cylinder head IN	2	
31	09168-14004	GASKET	4	

GSX-R1100L E28

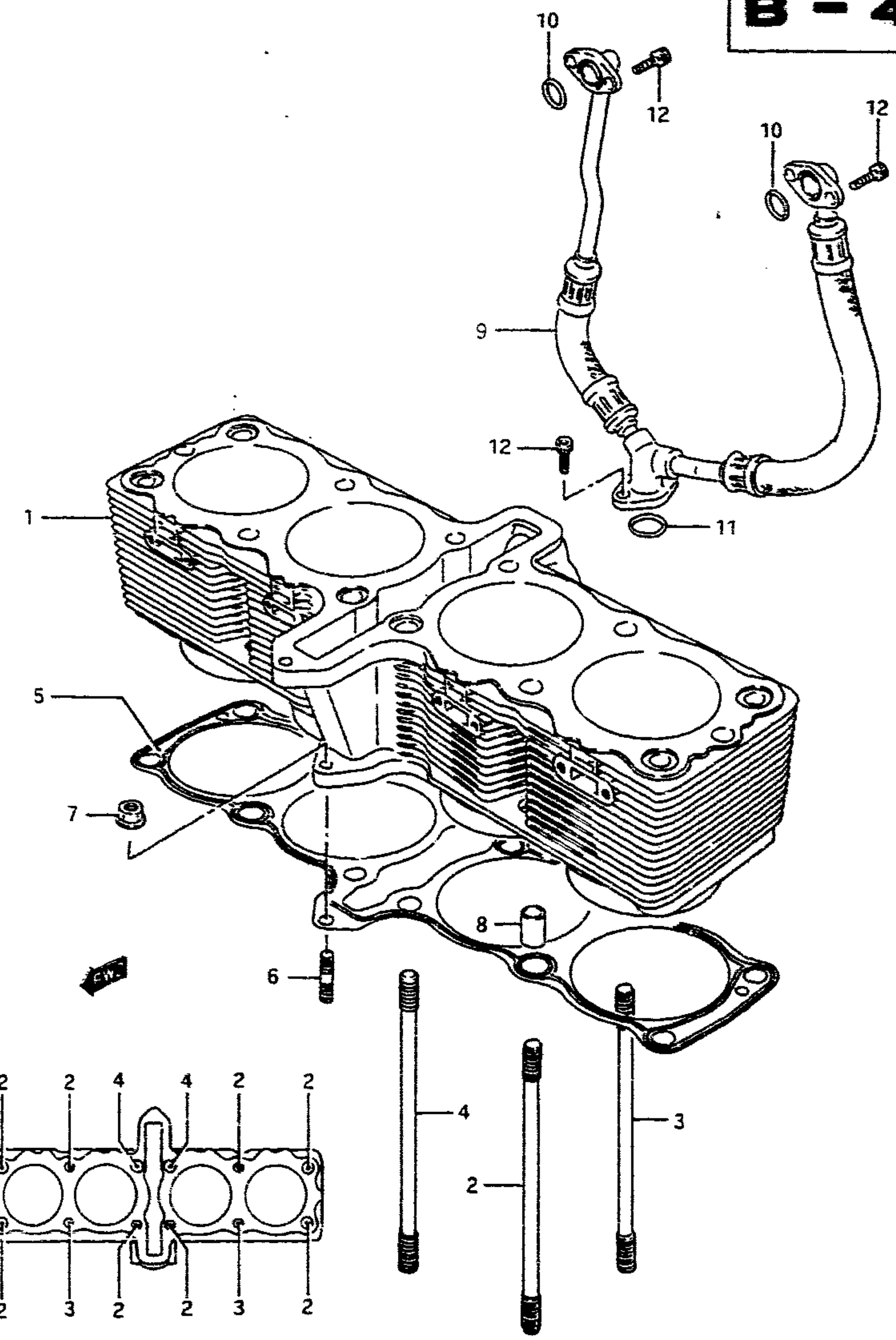
GSX-R1100L E28

AIR CLEANER.....C-7	CLUTCH HOSE.....H-10	CYLINDER HEAD COVER..B-2	FRONT FENDER.....G-7	HEADLAMP.....E-9	REAR FENDER.....I-6	STAND.....F-3	WIRING HARNESS..E-12
ALTERNATOR.....E-3	CLUTCH MASTER CYL..H-9	ELECTRICAL.....E-7	FRONT MASTER CYL..H-8	MUFFLER.....C-8	REAR MASTER CYL..I-11	STARTER CLUTCH..B-11	
BATTERY.....E-6	COUPLING.....J-4	FOOTREST.....F-4	FRONT WHEEL.....G-9	OIL COOLER.....C-9	REAR SWING ARM...I-2	STARTING MOTOR..E-2	SERIAL FRAME NUMBER
CAM CHAIN.....C-3	CRANKCASE.....B-5	FRAME.....F-2	FUEL COCK.....F-8	OIL PAN.....B-8	REAR WHEEL.....I-8	STEERING DAMPER..G-6	GSX-R1100K : JS1GV73A K2100001~
CAM SHAFT.....C-2	CRANKCASE COVER...B-7	FRAME COVER.....F-11	FUEL TANK.....F-6	OIL PUMP.....B-9	SEAT.....F-9	STEERING STEM...G-4	GSX-R1100L : JS1GV73A L2100001~
CARBURETOR.....C-4	CRANKSHAFT.....B-10	FRONT BRAKE HOSE...H-6	GEAR SHIFT.....D-5	OPTIONAL.....J-10	SEAT TAIL COVER..F-10	TAIL LAMP.....E-11	
CARBURETOR FITT..C-6	CYLINDER.....B-4	FRONT CALIPERS.....H-5	HANDLE SWI.....H-4	REAR CALIPER.....I-10	SIGNAL GENERATOR..E-5	TRANSMISSION....D-3	
CLUTCH.....D-2	CYLINDER HEAD.....B-3	FRONT DAMPER.....G-2	HANDLEBAR.....H-2	REAR CUSHION LEVER..I-4	SPEEDOMETER.....E-8	TURNSIGNAL LAMP..E-10	

FIG.3

B - 4

FIG.3 (B-4) CYLINDER



REF.NO.	PART NO.	DESCRIPTION	Q'TY	REMARKS
1-1	11210-40C00	CYLINDER	1	model K
1-2	11210-40C01	CYLINDER	1	model L
2	09108-10081	STUD BOLT (10x164)	8	
3	09108-10099	STUD BOLT (10x157)	2	
4	09108-10108	STUD BOLT (10x168)	2	
5	11241-48800	GASKET, cylinder	1	
6	01421-06205	STUD BOLT	1	
7	08316-16064	NUT	1	
8	09206-13006	PIN	2	
9	11328-48801	HOSE, oil head cooler	1	
10	09280-14011	O RING	2	
11	09280-15007	O RING	1	
12	07110-06165	BOLT	6	

GSX-R1100L E28

GSX-R1100L E28

AIR CLEANER.....C-7	CLUTCH HOSE.....H-10	CYLINDER HEAD COVER..B-2	FRONT FENDER.....G-7	HEADLAMP.....E-9	REAR FENDER.....I-6	STAND.....F-3	WIRING HARNESS..E-12
ALTERNATOR.....E-3	CLUTCH MASTER CYL..H-9	ELECTRICAL.....E-7	FRONT MASTER CYL..H-8	MUFFLER.....C-8	REAR MASTER CYL..I-11	STARTER CLUTCH..B-11	
BATTERY.....E-6	COWLING.....J-4	FOOTREST.....F-4	FRONT WHEEL.....G-9	OIL COOLER.....C-9	REAR SWING ARM...I-2	STARTING MOTOR..E-2	SERIAL FRAME NUMBER
CAM CHAIN.....C-3	CRANKCASE.....B-5	FRAME.....F-2	FUEL COCK.....F-8	OIL PAN.....B-8	REAR WHEEL.....I-8	STEERING DAMPER..G-6	GSX-R1100K : JS1GV73A K2100001~
CAM SHAFT.....C-2	CRANKCASE COVER..B-7	FRAME COVER.....F-11	FUEL TANK.....F-6	OIL PUMP.....B-9	SEAT.....F-9	STEERING STEM...G-4	GSX-R1100L : JS1GV73A L2100001~
CARBURETOR.....C-4	CRANKSHAFT.....B-10	FRONT BRAKE HOSE..H-6	GEAR SHIFT.....D-5	OPTIONAL.....J-10	SEAT TAIL COVER..F-10	TAIL LAMP.....E-11	
CARBURETOR FITT..C-6	CYLINDER.....B-4	FRONT CALIPERS...H-5	HANDLE SWI.....H-4	REAR CALIPER.....I-10	SIGNAL GENERATOR..E-5	TRANSMISSION....D-3	
CLUTCH.....D-2	CYLINDER HEAD...B-3	FRONT DAMPER.....G-2	HANDLEBAR.....H-2	REAR CUSHION LEVER..I-4	SPEEDOMETER.....E-8	TURN SIGNAL LAMP..E-10	

FIG.4

B - 5

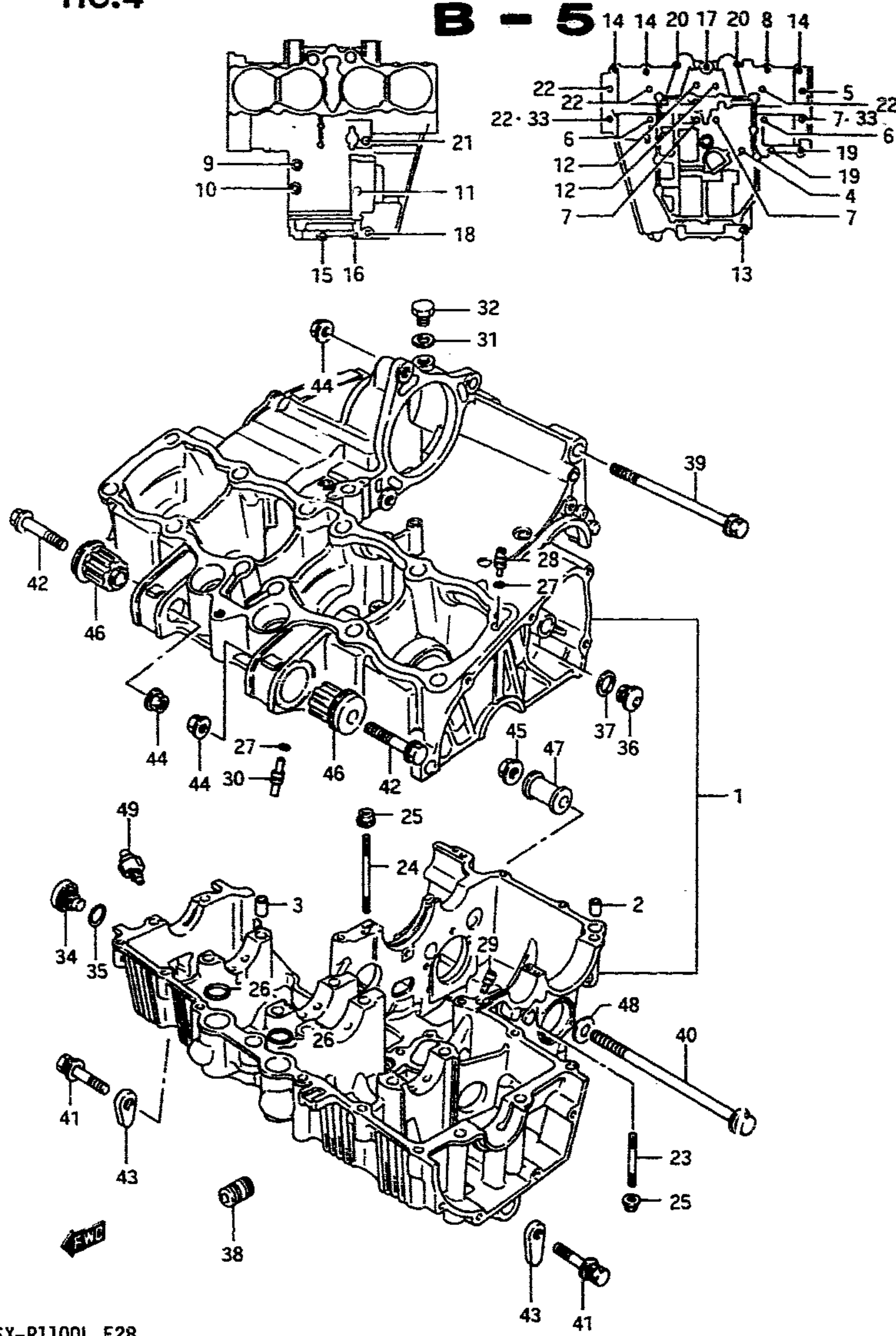


FIG.4 (B-5) CRANKCASE

REF.NO.	PART NO.	DESCRIPTION	Q'TY	REMARKS
1	11301-40830	CRANKCASE SET	1	
2	09206-13004	.FIN	2	
3	09206-11005	.PIN	2	
4	09103-06067	.BOLT (6x105)	1	
5	09103-08097	.BOLT (8x105)	1	
6	09103-08182	.BOLT (8x125)	2	
7	09103-08098	.BOLT (8x115)	3	
8	01517-06354	.BOLT	1	
9	07110-06405	.BOLT	1	
10	07110-06505	.BOLT	1	
11	07110-06655	.BOLT	1	
12-1	07110-08555	.BOLT (L:55)	2	
12-2	07110-08655	.BOLT (L:65)	2	
13	01517-08605	.BOLT	1	
14	01517-06354	.BOLT	3	
15	01517-06404	.BOLT	1	
16	01517-06408	.BOLT	1	
17	01517-06505	.BOLT	1	
18	01517-06605	.BOLT	1	
19	01517-06557	.BOLT	2	
20	01517-06705	.BOLT	2	
21	01517-06805	.BOLT	1	
22	09103-08105	.BOLT (8x95)	4	
23	01421-06408	.STUD BOLT	1	
24	01421-06608	.STUD BOLT	1	
25	09159-06017	.NUT	2	
26	09280-21008	.O RING, oil return	2	
27	09280-04004	.O RING	6	
28	09493-14002	.JET, oil GALY head	2	
29	09493-24010	.JET, oil GALY gear shift	2	
30	09493-80008	.JET, oil GALY piston	4	
31	09168-12002	.GASKET, hole plug	1	
32	09247-12103	.PLUG, hole	1	
33	09168-08021	.GASKET	2	

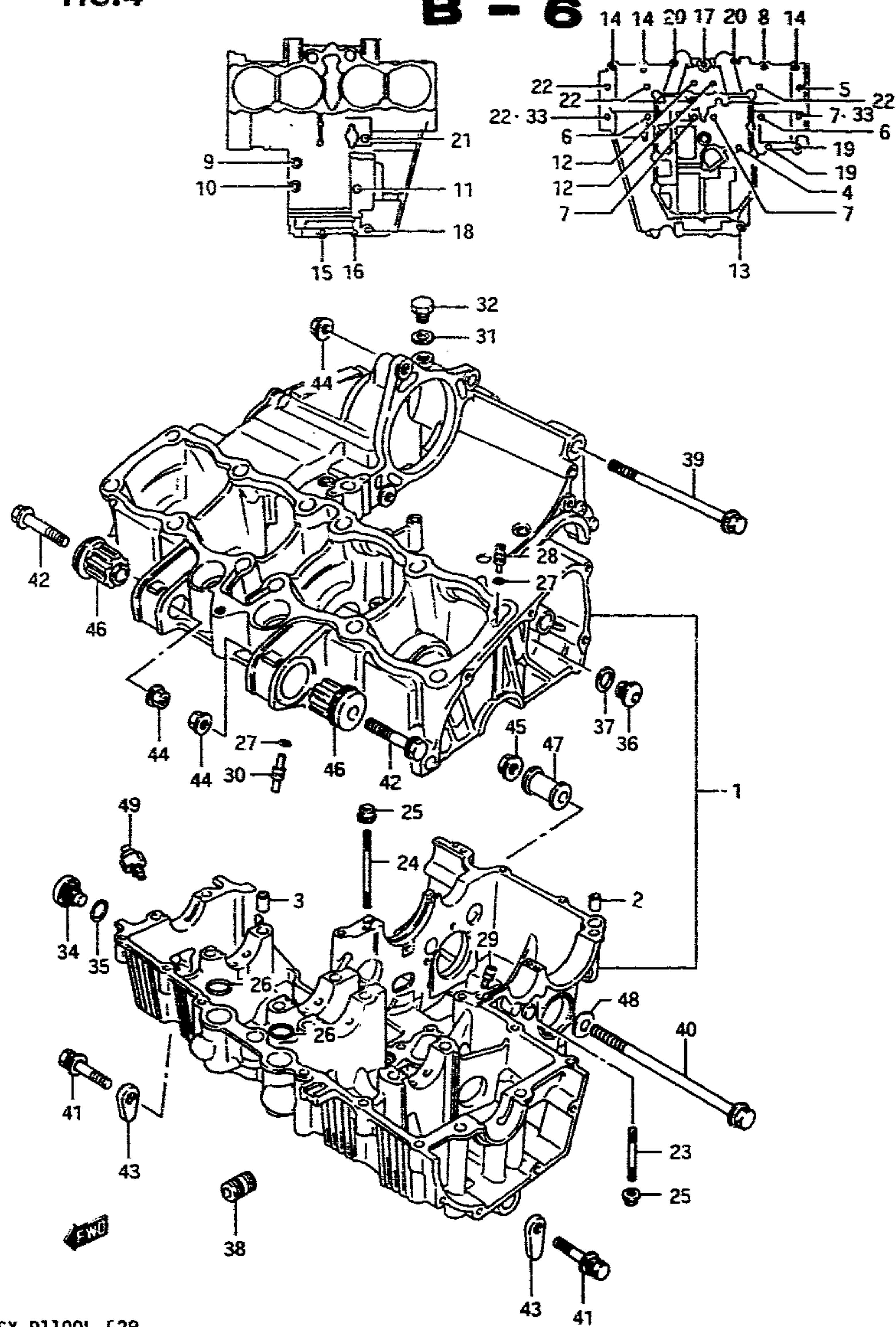
GSX-R1100L E28

GSX-R1100L E28

AIR CLEANER.....C-7	CLUTCH HOSE.....H-10	CYLINDER HEAD COVER..B-2	FRONT FENDER.....G-7	HEADLAMP.....E-9	REAR FENDER.....i-6	STAND.....F-3	WIRING HARNESS..E-12
ALTERNATOR.....E-3	CLUTCH MASTER CYL..H-9	ELECTRICAL.....E-7	FRONT MASTER CYL..H-8	MUFFLER.....C-8	REAR MASTER CYL..i-11	STARTER CLUTCH..B-11	
BATTERY.....E-6	COWLING.....J-4	FOOTREST.....F-4	FRONT WHEEL.....G-9	OIL COOLER.....C-9	REAR SWING ARM...i-2	STARTING MOTOR..E-2	SERIAL FRAME NUMBER
CAM CHAIN.....C-3	CRANKCASE.....B-5	FRAME.....F-2	FUEL COCK.....F-8	OIL PAN.....B-8	REAR WHEEL.....i-8	STEERING DAMPER..G-6	GSX-R1100K : JSIGV73A K2100001~
CAM SHAFT.....C-2	CRANKCASE COVER...B-7	FRAME COVER.....F-11	FUEL TANK.....F-6	OIL PUMP.....B-9	SEAT.....F-9	STEERING STEM...G-4	GSX-R1100L : JSIGV73A L2100001~
CARBURETOR.....C-4	CRANKSHAFT.....B-10	FRONT BRAKE HOSE...H-6	GEAR SHIFT.....D-5	OPTIONAL.....J-10	SEAT TAIL COVER..F-10	TAIL LAMP.....E-11	
CARBURETOR FITT..C-6	CYLINDER.....B-4	FRONT CALIPERS....H-5	HANDLE SWI.....H-4	REAR CALIPER.....i-10	SIGNAL GENERATOR..E-5	TRANSMISSION....D-3	
CLUTCH.....D-2	CYLINDER HEAD.....B-3	FRONT DAMPER.....G-2	HANDLEBAR.....H-2	REAR CUSHION LEVER..i-4	SPEEDOMETER.....E-8	TURN SIGNAL LAMP..E-10	

FIG.4

B-6



GSX-R1100L E28

FIG.4 (B-6) CRANKCASE

REF.NO.	PART NO.	DESCRIPTION	Q'TY	REMARKS
34	09248-16003	.PLUG, oil gallery	1	
35	09280-17002	.O RING	1	
36	09248-14004	.PLUG, oil gallery	1	
37	09168-14004	.GASKET	1	
38	16591-06800	.UNION, oil filter stand	1	
39	09103-10139	BOLT (10x150)	1	
40	09100-12060	BOLT (12x178)	1	
41	01987-10558	BOLT	2	
42	01517-10558	BOLT	2	
43	09159-10020	NUT	2	
44	09159-10058	NUT	3	
45	08319-31128	NUT	1	
46	11681-27A00	BUSH	2	
47	11611-40C00	SPACER (L:27)	1	
48	08322-11128	WASHER	1	
49	37820-33200	SWITCH, oil pressure	1	

GSX-R1100L E28

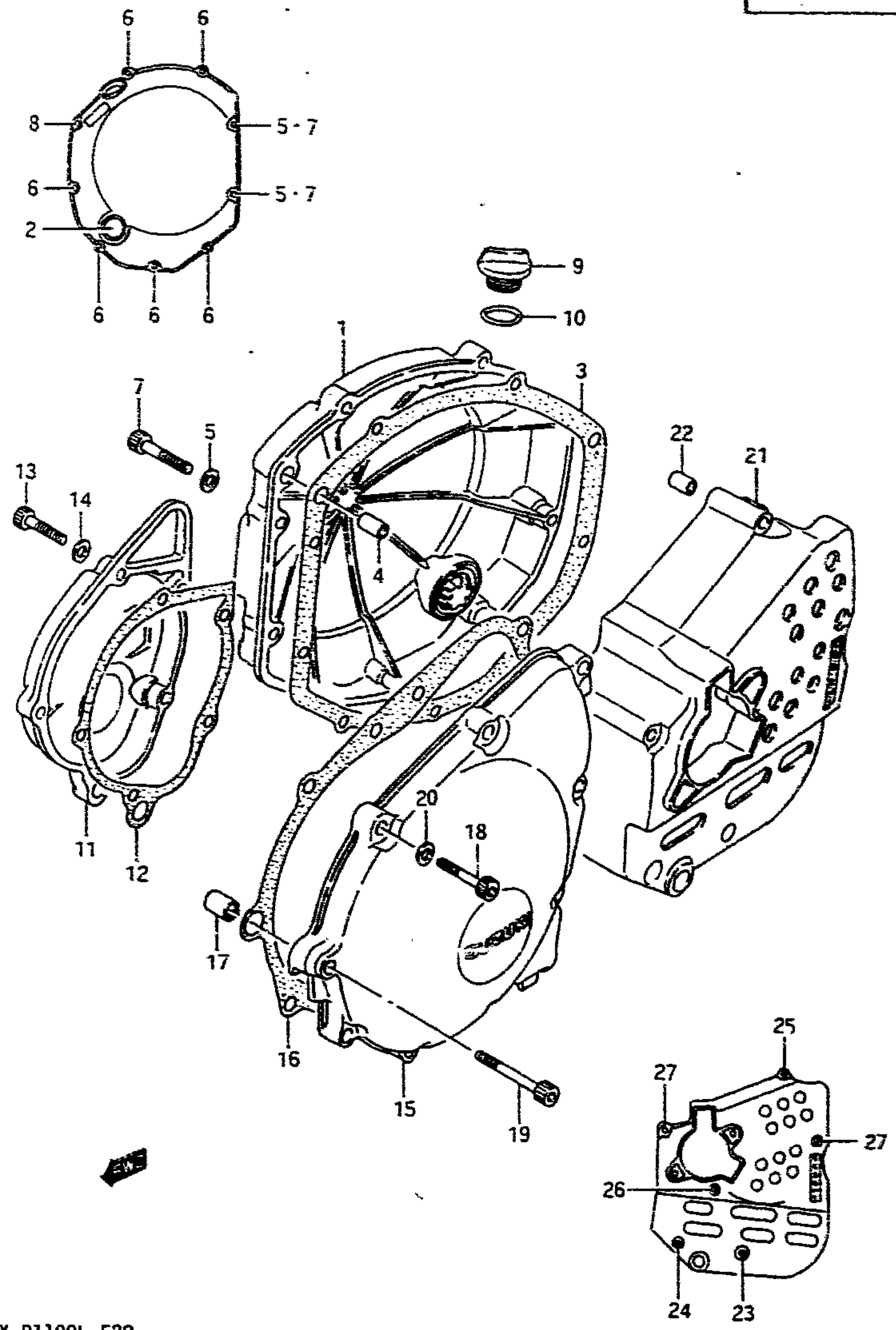
AIR CLEANER.....C-7	CLUTCH HOSE.....H-10	CYLINDER HEAD COVER..B-2	FRONT FENDER.....G-7	HEADLAMP.....E-9	REAR FENDER.....i-6	STAND.....F-3	WIRING HARNESS..E-12
ALTERNATOR.....E-3	CLUTCH MASTER CYL..H-9	ELECTRICAL.....E-7	FRONT MASTER CYL..H-8	MUFFLER.....C-8	REAR MASTER CYL..i-11	STARTER CLUTCH..B-11	
BATTERY.....E-6	COWLING.....J-4	FOOTREST.....F-4	FRONT WHEEL.....G-9	OIL COOLER.....C-9	REAR SWING ARM...i-2	STARTING MOTOR..E-2	SERIAL FRAME NUMBER
CAM CHAIN.....C-3	CRANKCASE.....B-5	FRAME.....F-2	FUEL COCK.....F-8	OIL PAN.....B-8	REAR WHEEL.....i-8	STEERING DAMPER..G-6	GSX-R1100K : JS1GV73A K2100001~
CAM SHAFT.....C-2	CRANKCASE COVER...B-7	FRAME COVER.....F-11	FUEL TANK.....F-6	OIL PUMP.....B-9	SEAT.....B-9	STEERING STEM...G-4	GSX-R1100L : JS1GV73A L2100001~
CARBURETOR.....C-4	CRANKSHAFT.....B-10	FRONT BRAKE HOSE...H-6	GEAR SHIFT.....D-5	OPTIONAL.....J-10	SEAT TAIL COVER..F-10	TAIL LAMP.....E-11	
CARBURETOR FITT..C-6	CYLINDER.....B-4	FRONT CALIPERS.....H-5	HANDLE SWI.....H-4	REAR CALIPER.....i-10	SIGNAL GENERATOR..E-5	TRANSMISSION....D-3	
CLUTCH.....D-2	CYLINDER HEAD....B-3	FRONT DAMPER.....G-2	HANDLEBAR.....H-2	REAR CUSHION LEVER..i-4	SPEEDOMETER.....E-8	TURN SIGNAL LAMP..E-10	

FIG.5

B - 7

6

FIG.5 (B-7) CRANKCASE COVER



REF.NO.	PART NO.	DESCRIPTION	Q'TY	REMARKS
1	11340-40C00	COVER, clutch	1	
2	11971-33210	.LENS, oil level	1	
3	11482-27A01	GASKET, clutch cover	1	
4	04211-09189	PIN	2	
5	09168-06024	GASKET	2	
6	07110-06255	BOLT	6	
7	07110-06305	BOLT	2	
8	07110-06355	BOLT	1	
9	09259-20012	PLUG, engine oil filler	1	
10	09280-17003	O RING	1	
11	11381-27A01	COVER, signal generator	1	
12	11491-27A00	GASKET, signal generator cover	1	
13	09106-06059	BOLT (6x23)	5	
14	09168-06024	GASKET	1	
15	11351-40C00	COVER, starter gear	1	
16	11483-48B00	GASKET, starter gear cover	1	
17	09206-11005	PIN	1	
18	07110-06255	BOLT	8	
19	07110-06405	BOLT	1	
20	09168-06024	GASKET	1	
21-1	11361-40C00	COVER, engine sprocket	1	+11361-40C10 W/23111-05A01
21-2	11361-40C10	COVER, engine sprocket	1	
22	04211-09129	PIN	2	
23-1	07110-06405	BOLT	1	for 11361-40C00
23-2	07110-06455	BOLT	1	for 11361-40C10
24-1	07110-06305	BOLT	1	for 11361-40C00
24-2	07110-06355	BOLT	1	for 11361-40C10
25-1	07110-06505	BOLT	1	for 11361-40C00
25-2	07110-06555	BOLT	1	for 11361-40C10
26-1	07110-06655	BOLT	1	for 11361-40C00
26-2	07110-06705	BOLT	1	for 11361-40C10
27-1	07110-06705	BOLT	2	for 11361-40C00
27-2	07110-06755	BOLT	2	for 11361-40C10

GSX-R1100L E28

GSX-R1100L E28

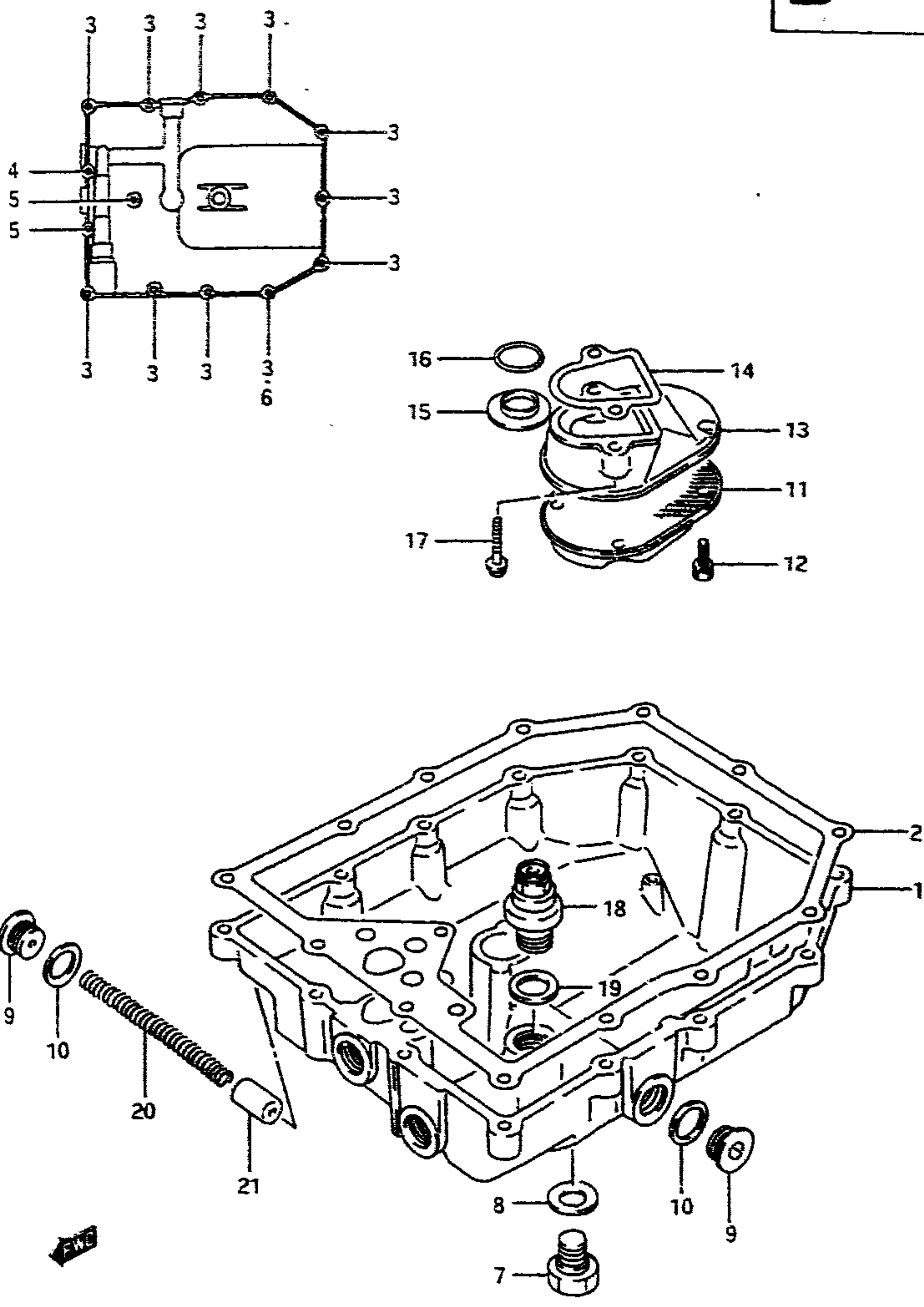
AIR CLEANER.....C-7	CLUTCH HOSE.....H-10	CYLINDER HEAD COVER..B-2	FRONT FENDER.....G-7	HEADLAMP.....E-9	REAR FENDER.....i-6	STAND.....F-3	WIRING HARNESS..E-12
ALTERNATOR.....E-3	CLUTCH MASTER CYL..H-9	ELECTRICAL.....E-7	FRONT MASTER CYL..H-8	MUFFLER.....C-8	REAR MASTER CYL...i-11	STARTER CLUTCH..B-11	
BATTERY.....E-6	COWLING.....J-4	FOOTREST.....F-4	FRONT WHEEL.....G-9	OIL COOLER.....C-9	REAR SWING ARM...i-2	STARTING MOTOR..E-2	SERIAL FRAME NUMBER
CAM CHAIN.....C-3	CRANKCASE.....B-5	FRAME.....F-2	FUEL COCK.....F-8	OIL PAN.....B-8	REAR WHEEL.....i-8	STEERING DAMPER..G-6	GSX-R1100K : JS1GV73A K2100001~
CAM SHAFT.....C-2	CRANKCASE COVER..B-7	FRAME COVER.....F-11	FUEL TANK.....F-6	OIL PUMP.....B-9	SEAT.....F-9	STEERING STEM...G-4	GSX-R1100L : JS1GV73A L2100001~
CARBURETOR.....C-4	CRANKSHAFT.....B-10	FRONT BRAKE HOSE...H-6	GEAR SHIFT.....D-5	OPTIONAL.....J-10	SEAT TAIL COVER..F-10	TAIL LAMP.....E-11	
CARBURETOR FITT..C-6	CYLINDER.....B-4	FRONT CALIPERS.....H-5	HANDLE SWI.....H-4	REAR CALIPER.....i-10	SIGNAL GENERATOR..E-5	TRANSMISSION....D-3	
CLUTCH.....D-2	CYLINDER HEAD....B-3	FRONT DAMPER.....G-2	HANDLEBAR.....H-2	REAR CUSHION LEVER..i-4	SPEEDOMETER.....E-8	TURN SIGNAL LAMP..E-10	

FIG.6

B - 8

7

FIG.6 (B- 8) OIL PAN



REF.NO.	PART NO.	DESCRIPTION	Q'TY	REMARKS
1-1	11511-17C01	PAN, oil	1	-E.No.102576
1-2	11511-17C02	PAN, oil	1	E.No.102577-
2	11489-27A00	GASKET, oil pan	1	
3-1	07110-06255	BOLT	11	-E.No.102576
3-2	07110-06257	BOLT	11	E.No.102577-
4-1	09106-06034	BOLT (6x55)	1	-E.No.102576
4-2	09106-06067	BOLT (6x55)	1	E.No.102577-
5-1	07110-06455	BOLT	2	-E.No.102576
5-2	07110-06458	BOLT	2	E.No.102577-
6	09168-06024	GASKET	1	
7	09247-14001	PLUG, Oil drain	1	
8	09168-14004	GASKET	1	
9	09248-16010	PLUG, oil gailery	2	
10	09168-16002	GASKET	2	
11	16520-17C00	STRAINER, engine oil	1	
12	01137-06128	BOLT	4	
13	16525-17C00	PROTECTOR, strainer	1	
14	16528-27A02	GASKET, protector	1	
15	16529-27A01	GASKET, outlet	1	
16	09280-18009	O RING	1	
17	01517-06258	BOLT	2	
18	16440-17C00	REGULATOR, engine oil	1	
19	09168-16002	WASHER	1	
20	09440-09027	SPRING	1	
21	16442-34301	PLUNGER, oil control	1	

GSX-R1100L E28

GSX-R1100L E28

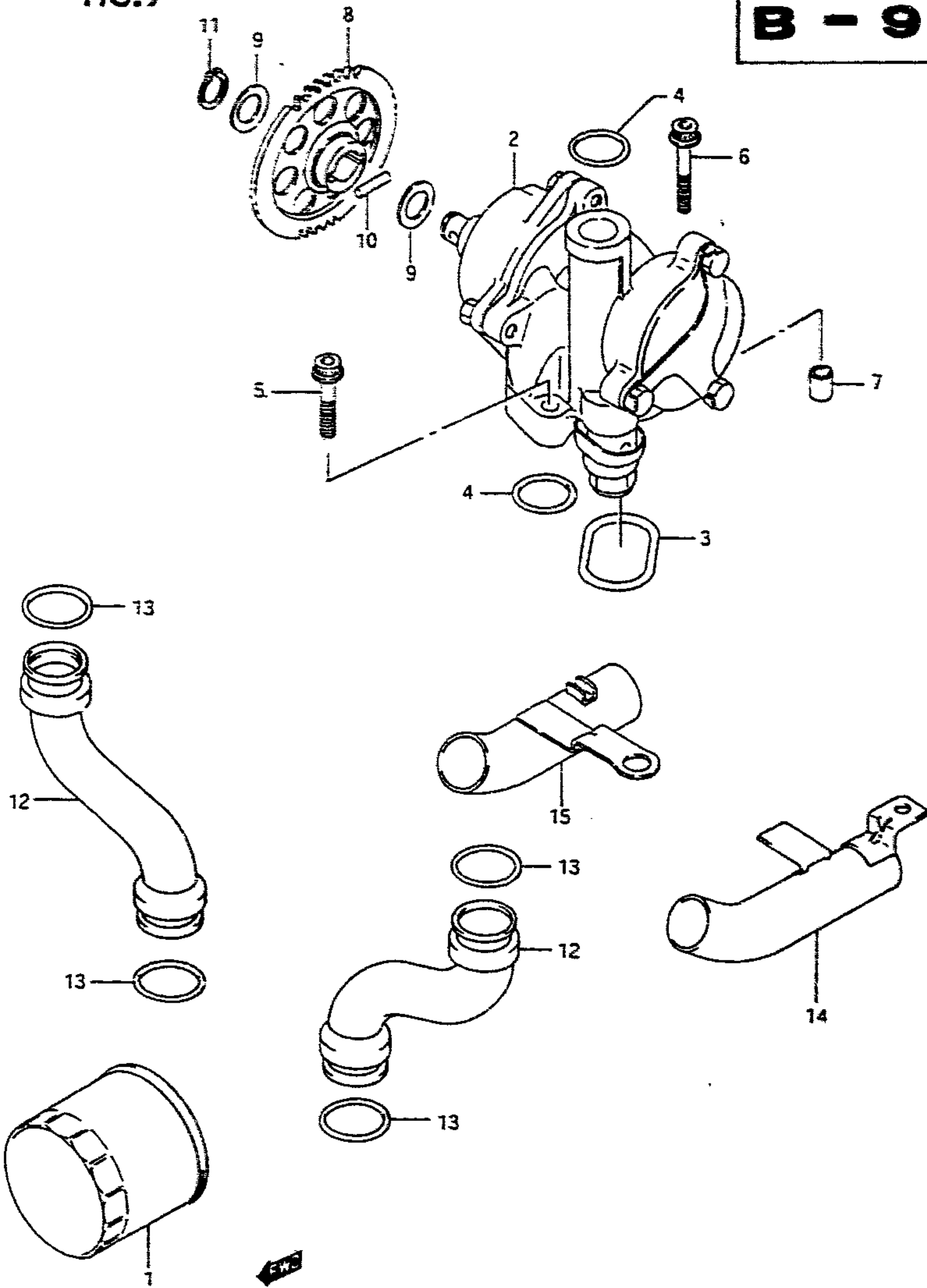
AIR CLEANER.....C-7	CLUTCH HOSE.....H-10	CYLINDER HEAD COVER..B-2	FRONT FENDER.....G-7	HEADLAMP.....E-9	REAR FENDER.....i-6	STAND.....F-3	WIRING HARNESS..E-12
ALTERNATOR.....E-3	CLUTCH MASTER CYL..H-9	ELECTRICAL.....E-7	FRONT MASTER CYL..H-8	MUFFLER.....C-8	REAR MASTER CYL..i-11	STARTER CLUTCH..B-11	
BATTERY.....E-6	CONVING.....J-4	FOOTREST.....F-4	FRONT WHEEL.....G-9	OIL COOLER.....C-9	REAR SWING ARM...i-2	STARTING MOTOR..E-2	SERIAL FRAME NUMBER
CAM CHAIN.....C-3	CRANKCASE.....B-5	FRAME.....F-2	FUEL COCK.....F-8	OIL PAN.....B-8	REAR WHEEL.....i-8	STEERING DAMPER..G-6	GSX-R1100K : JS1GV73A K2100001~
CAM SHAFT.....C-2	CRANKCASE COVER..B-7	FRAME COVER.....F-11	FUEL TANK.....F-6	OIL PUMP.....B-9	SEAT.....F-9	STEERING STEM...G-4	GSX-R1100L : JS1GV73A L2100001~
CARBURETOR.....C-4	CRANKSHAFT.....B-10	FRONT BRAKE HOSE...H-6	GEAR SHIFT.....D-5	OPTIONAL.....J-10	SEAT TAIL COVER..F-10	TAIL LAMP.....E-11	
CARBURETOR FITT..C-6	CYLINDER.....B-4	FRONT CALIPERS....H-5	HANDLE SWI.....H-4	REAR CALIPER.....i-10	SIGNAL GENERATOR..E-5	TRANSMISSION....D-3	
CLUTCH.....D-2	CYLINDER HEAD....B-3	FRONT DAMPER.....G-2	HANDLEBAR.....H-2	REAR CUSHION LEVER..i-4	SPEEDOMETER.....E-8	TURNSIGNAL LAMP..E-10	

FIG.7

B - 9

8

FIG.7 (B- 9) OIL PUMP



REF.NO.	PART NO.	DESCRIPTION	Q'TY	REMARKS
1	16510-06800	FILTER, engine oil	1	
2	16400-06810	PUMP ASSY, engine oil	1	
3	16491-27A01	O RING, oil pump	1	
4	09280-18009	O RING	2	
5	07120-06308	BOLT	2	
6	07120-06358	BOLT	1	
7	04211-09129	PIN	2	
8	16331-06801-0B1	GEAR, oil pump driven	1	
9	08221-12205	WASHER	2	
10	09261-05006	PIN	1	
11	08331-31128	CIRCLIP	1	
12	16481-48801	PIPE, outlet	2	
13	09280-22016	O RING	4	
14	16530-17000	PIPE, oil under, LH	1	
15	16540-27A01	PIPE, oil under, RH	1	

GSX-R1100L E28

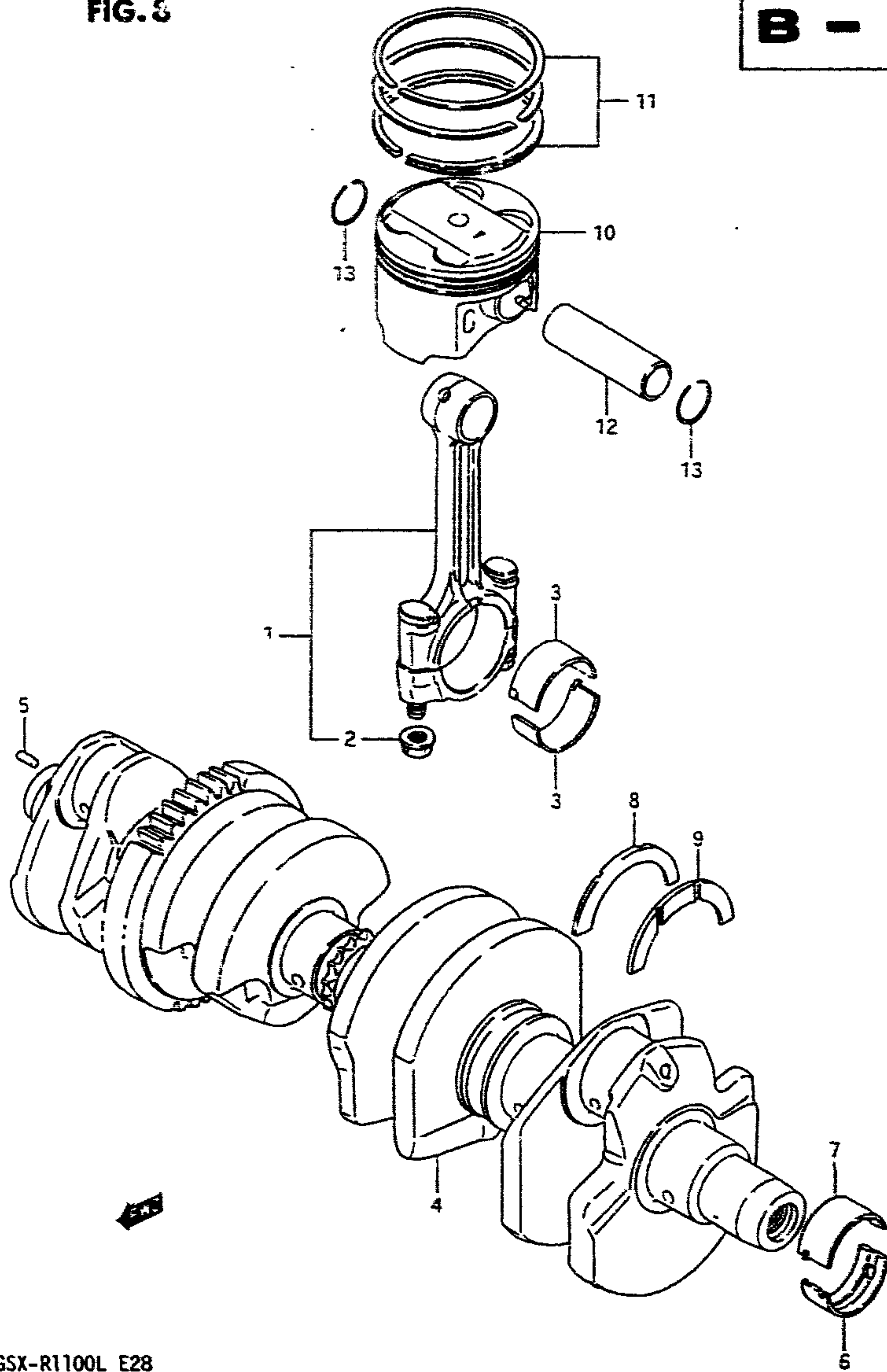
GSX-R1100L E28

AIR CLEANER.....C-7	CLUTCH HOSE.....H-10	CYLINDER HEAD COVER..B-2	FRONT FENDER.....G-7	HEADLAMP.....E-9	REAR FENDER.....I-5	STAND.....F-3	WIRING HARNESS..E-12
ALTERNATOR.....E-3	CLUTCH MASTER CYL..H-9	ELECTRICAL.....E-7	FRONT MASTER CYL..H-8	MUFFLER.....C-8	REAR MASTER CYL..I-11	STARTER CLUTCH..B-11	
BATTERY.....E-6	CONVING.....J-4	FOOTREST.....F-4	FRONT WHEEL.....G-9	OIL COOLER.....C-9	REAR SWING ARM...I-2	STARTING MOTOR..E-2	SERIAL FRAME NUMBER
CAM CHAIN.....C-3	CRANKCASE.....B-5	FRAME.....F-2	FUEL COCK.....F-8	OIL PAN.....B-8	REAR WHEEL.....I-8	STEERING DAMPER..G-6	GSX-R1100K : JS1GV73A K2100001~
CAM SHAFT.....C-2	CRANKCASE COVER..B-7	FRAME COVER.....F-11	FUEL TANK.....F-6	OIL PUMP.....B-9	SEAT.....J-10	STEERING STEM...G-4	GSX-R1100L : JS1GV73A L2100001~
CARBURETOR.....C-4	CRANKSHAFT.....B-10	FRONT BRAKE HOSE...H-6	GEAR SHIFT.....D-5	OPTIONAL.....J-10	SEAT TAIL COVER..F-10	TAIL LAMP.....E-11	
CARBURETOR FITT..C-6	CYLINDER.....B-4	FRONT CALIPERS....H-5	HANDLE SWI.....H-4	REAR CALIPER.....I-10	SIGNAL GENERATOR..E-5	TRANSMISSION....D-3	
CLUTCH.....D-2	CYLINDER HEAD....B-3	FRONT DAMPER.....G-2	HANDLEBAR.....H-2	REAR CUSHION LEVER..I-4	SPEEDOMETER.....E-8	TURN SIGNAL LAMP..E-10	

FIG. 8

B - 10

FIG. 8 (B-10) CRANKSHAFT



REF. NO.	PART NO.	DESCRIPTION	Q'TY	REMARKS
1-1	12160-40C01	ROD ASSY, connecting	4	model K
1-2	12160-40C02	ROD ASSY, connecting	4	model L
2	09159-09001	.NUT	8	
3-1	12164-48B00-0A0	BEARING, crank pin (Green)	8	
3-2	12164-48B00-0B0	BEARING, crank pin (Black)	8	
3-3	12164-48B00-0C0	BEARING, crank pin (Brown)	8	
3-4	12164-48B00-0D0	BEARING, crank pin (Yellow)	8	
4	12220-40C00	CRANKSHAFT	1	
5	04221-04089	.PIN	1	
6-1	12229-06B00-0A0	BEARING, crankshaft (Green)	6	LOWER
6-2	12229-06B00-0B0	BEARING, crankshaft (Black)	6	
6-3	12229-06B00-0C0	BEARING, crankshaft (Brown)	6	
6-4	12229-06B00-0D0	BEARING, crankshaft (Yellow)	6	
7-1	12229-06B10-0A0	BEARING, crankshaft (Green)	6	UPPER
7-2	12229-06B10-0B0	BEARING, crankshaft (Black)	6	
7-3	12229-06B10-0C0	BEARING, crankshaft (Brown)	6	
7-4	12229-06B10-0D0	BEARING, crankshaft (Yellow)	6	
8	12228-48B00-0E0	BEARING, crankshaft (Green)	1	RH
9-1	12228-48B00-0C0	BEARING, crankshaft (Red)	1	LH
9-2	12228-48B00-0E0	BEARING, crankshaft (Green)	1	
9-3	12228-48B00-0H0	BEARING, crankshaft (Black)	1	
10-1	12111-48B04-0F0	PISTON	4	
10-2	12111-48B04-0S0	PISTON (OS:0.5)	4	OPT
10-3	12111-48B04-100	PISTON (OS:1.0)	4	OPT
11-1	12140-48B20	RING SET, piston	4	
11-2	12140-48B20-0S0	RING SET, piston (OS:0.5)	4	OPT
11-3	12140-48B20-100	RING SET, piston (OS:1.0)	4	OPT
12	12151-05A00	PIN, piston	4	
13	09381-27004	CIRCLIP	8	

GSX-R1100L E28

GSX-R1100L E28

AIR CLEANER.....C-7	CLUTCH HOSE.....H-10	CYLINDER HEAD COVER..B-2	FRONT FENDER.....G-7	HEADLAMP.....E-9	REAR FENDER.....i-5	STAND.....F-3	WIRING HARNESS..E-12
ALTERNATOR.....E-3	CLUTCH MASTER CYL..H-9	ELECTRICAL.....E-7	FRONT MASTER CYL..H-8	MUFFLER.....-8	REAR MASTER CYL..i-11	STARTER CLUTCH..B-11	
BATTERY.....E-6	CONVING.....J-4	FOOTREST.....F-4	FRONT WHEEL.....G-9	OIL COOLER.....C-9	REAR SWING ARM..i-2	STARTING MOTOR..E-2	SERIAL FRAME NUMBER
CAM CHAIN.....C-3	CRANKCASE.....B-5	FRAME.....F-2	FUEL COCK.....F-8	GIL PAN.....B-8	REAR WHEEL.....i-8	STEERING DAMPER..G-6	GSX-R1100K : JS1GV73A K2100001~
CAM SHAFT.....C-2	CRANKCASE COVER..B-7	FRAME COVER.....F-11	FUEL TANK.....F-6	OIL PUMP.....B-9	SEAT.....F-9	STEERING STEM..G-4	GSX-R1100L : JS1GV73A L2100001~
CARBURETOR.....C-4	CRANKSHAFT.....B-10	FRONT BRAKE HOSE...H-6	GEAR SHIFT.....D-5	OPTIONAL.....J-10	SEAT TAIL COVER..F-10	TAIL LAMP.....E-11	
CARBURETOR FITT..C-6	CYLINDER.....B-4	FRONT CALIPERS.....H-5	HANDLE SWI.....H-4	REAR CALIPER.....i-10	SIGNAL GENERATOR..E-5	TRANSMISSION....D-3	
CLUTCH.....D-2	CYLINDER HEAD..B-3	FRONT DAMPER.....G-2	HANDLEBAR.....H-2	REAR CUSHION LEVER..i-4	SPEEDOMETER.....E-8	TURN SIGNAL LAMP..E-10	

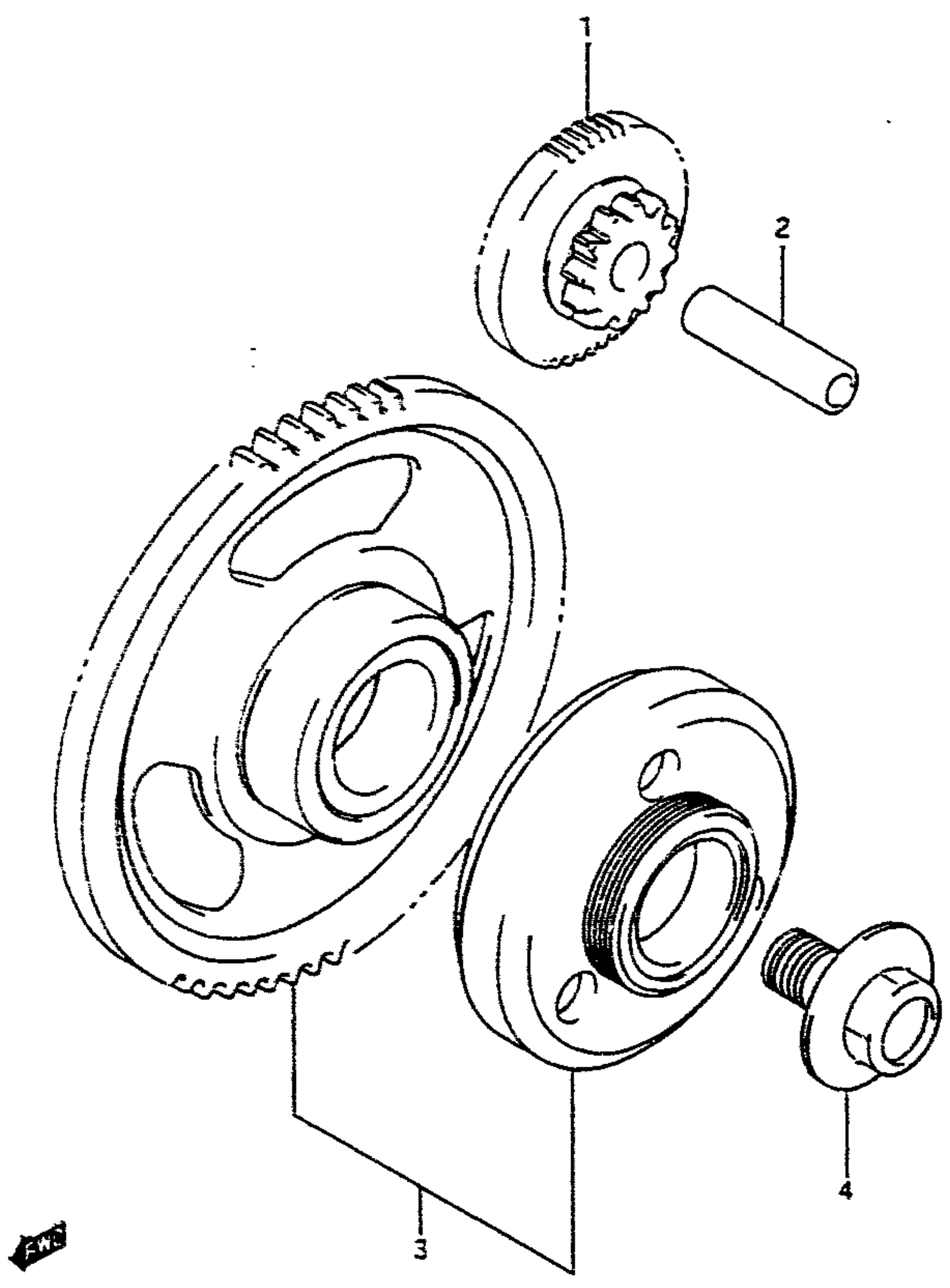
FIG. 9

B - 11

10

FIG. 9 (B-11) STARTER CLUTCH

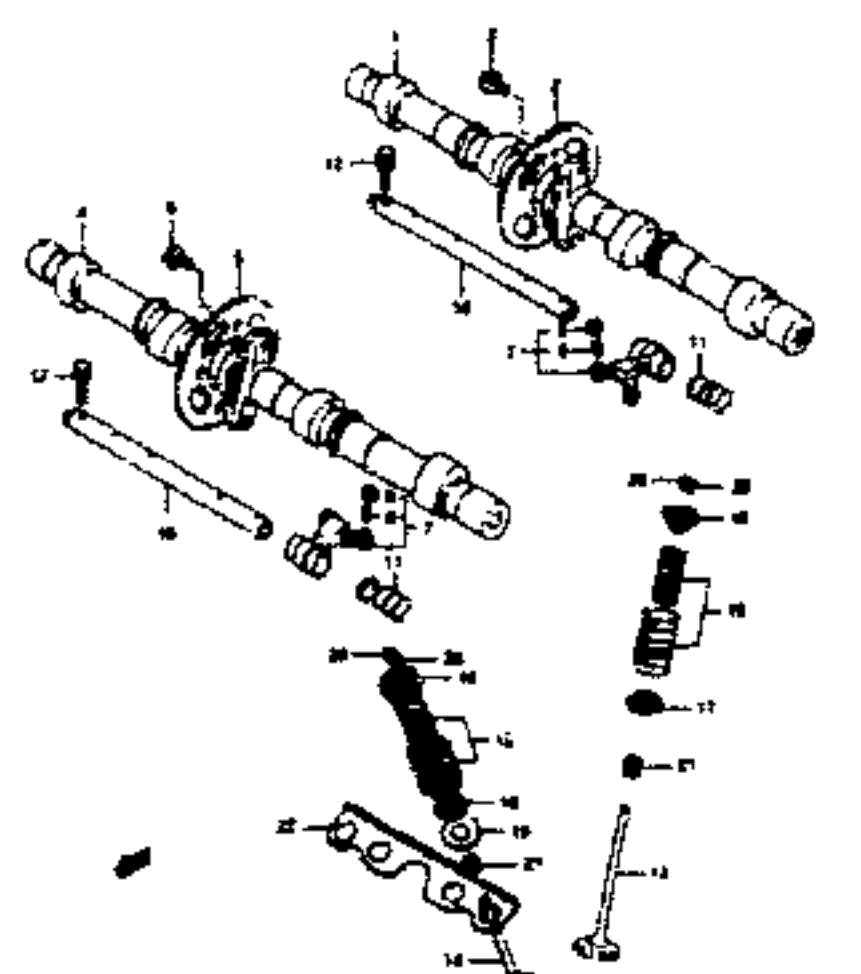
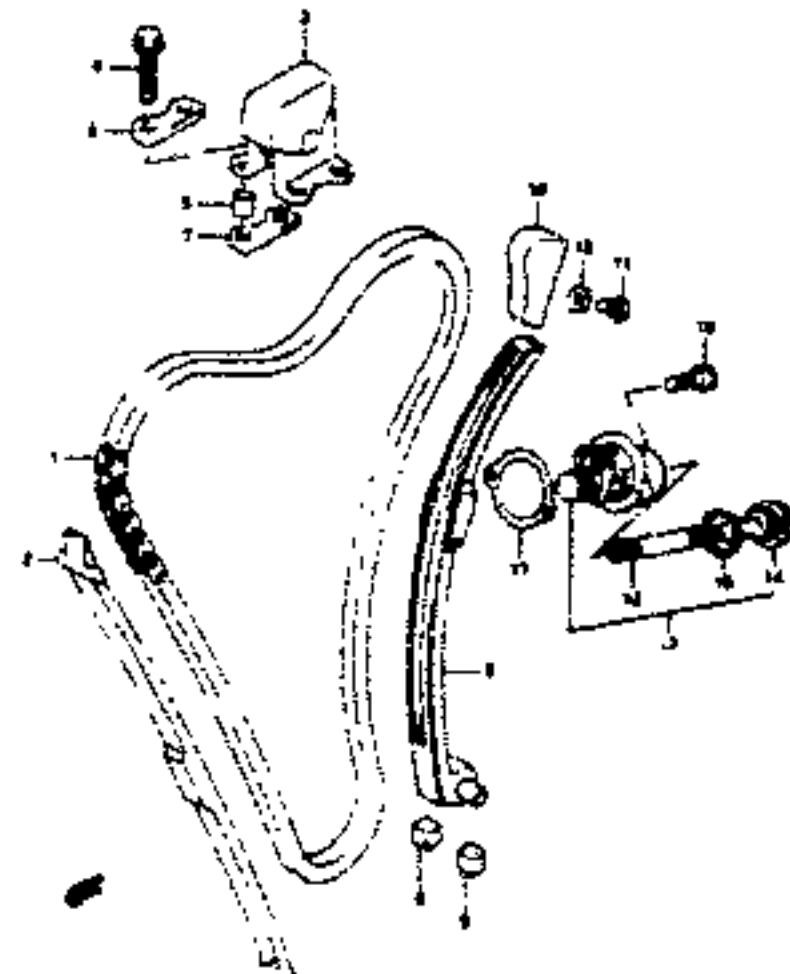
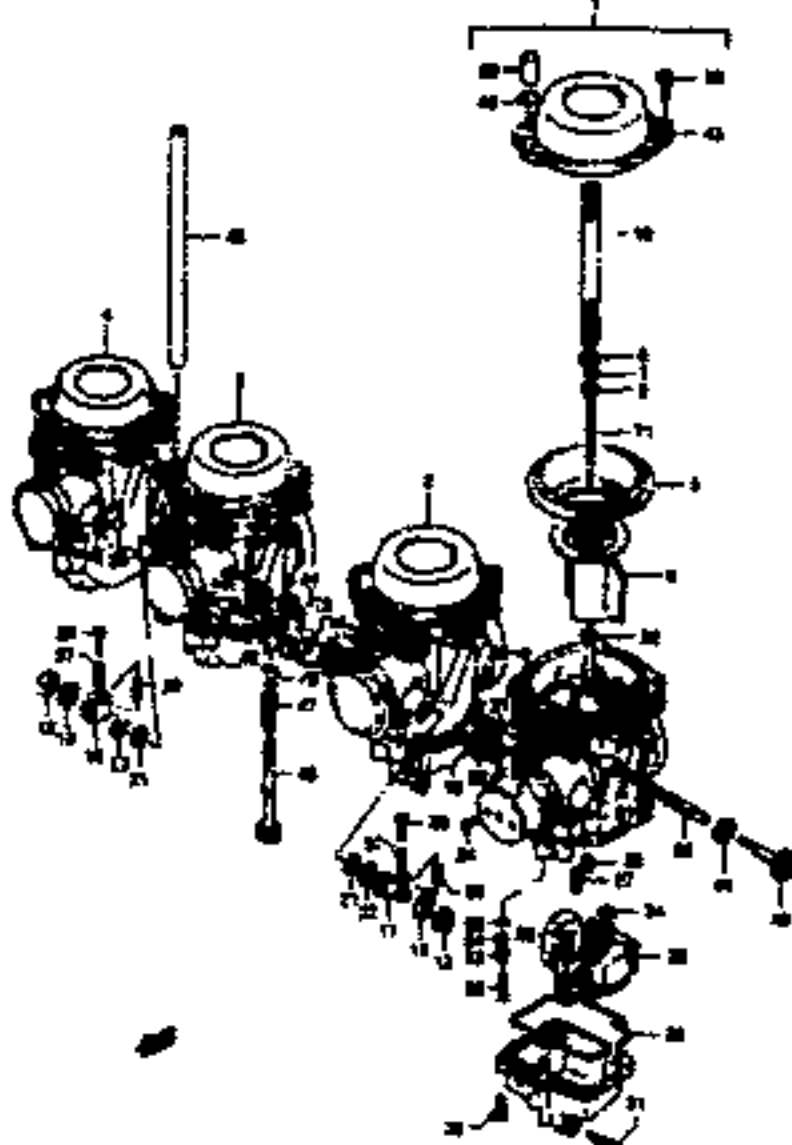
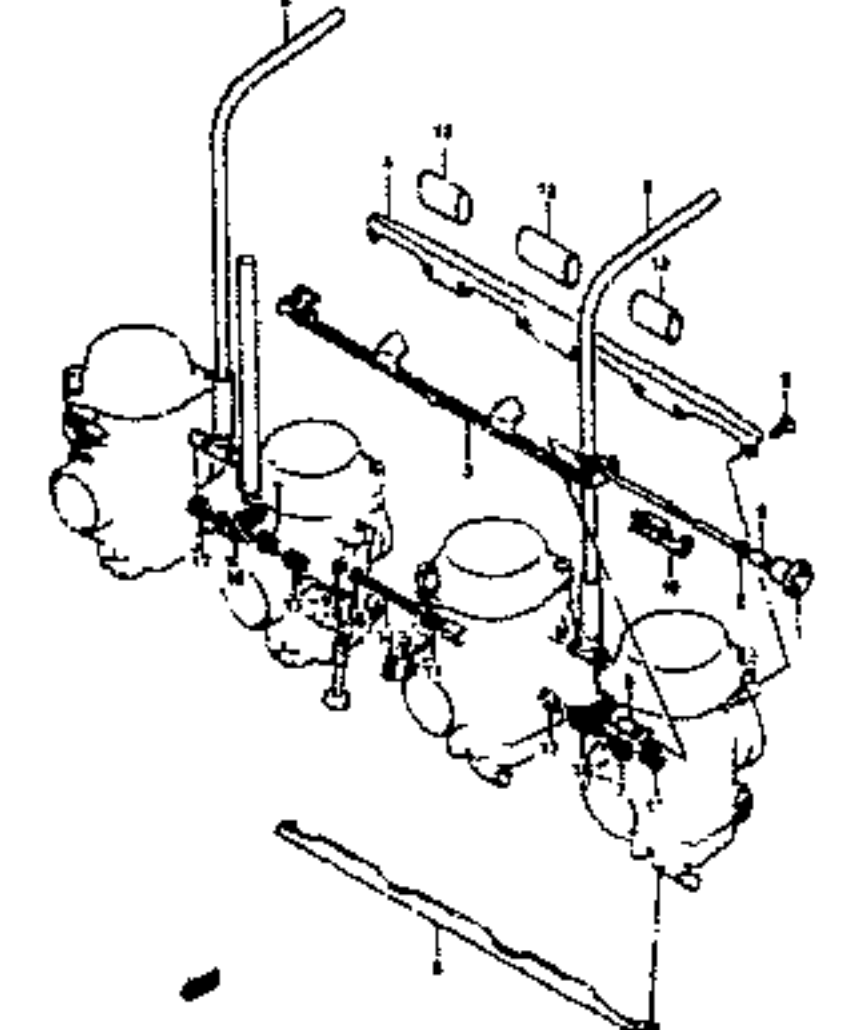
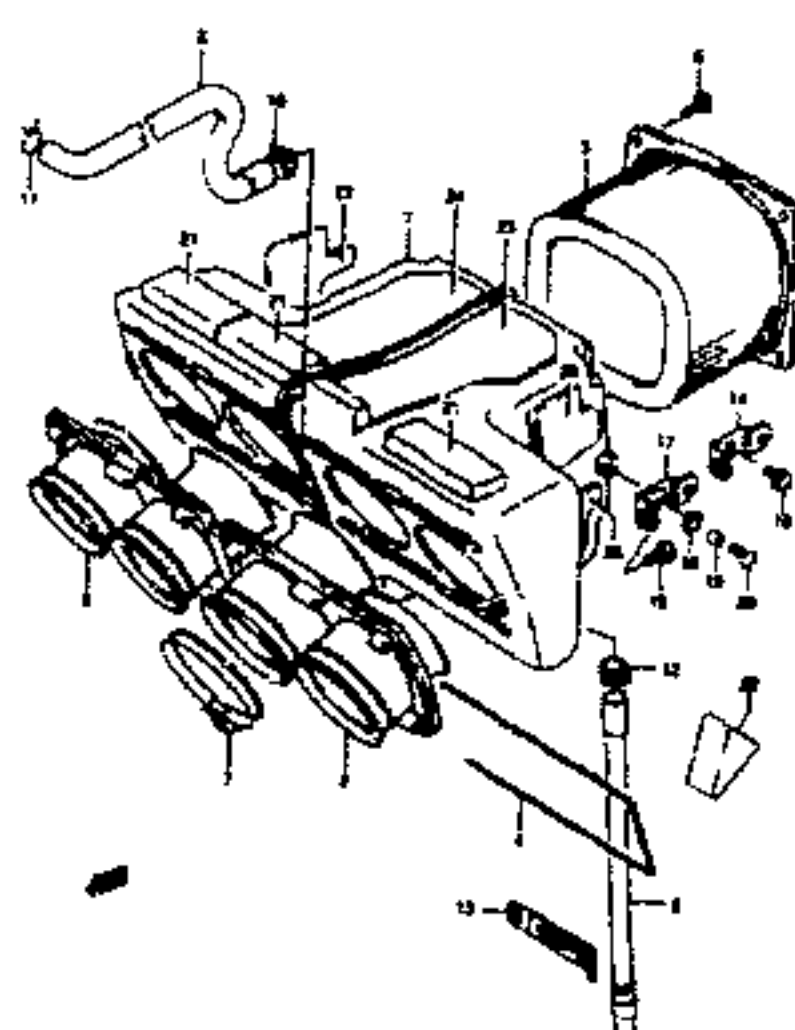
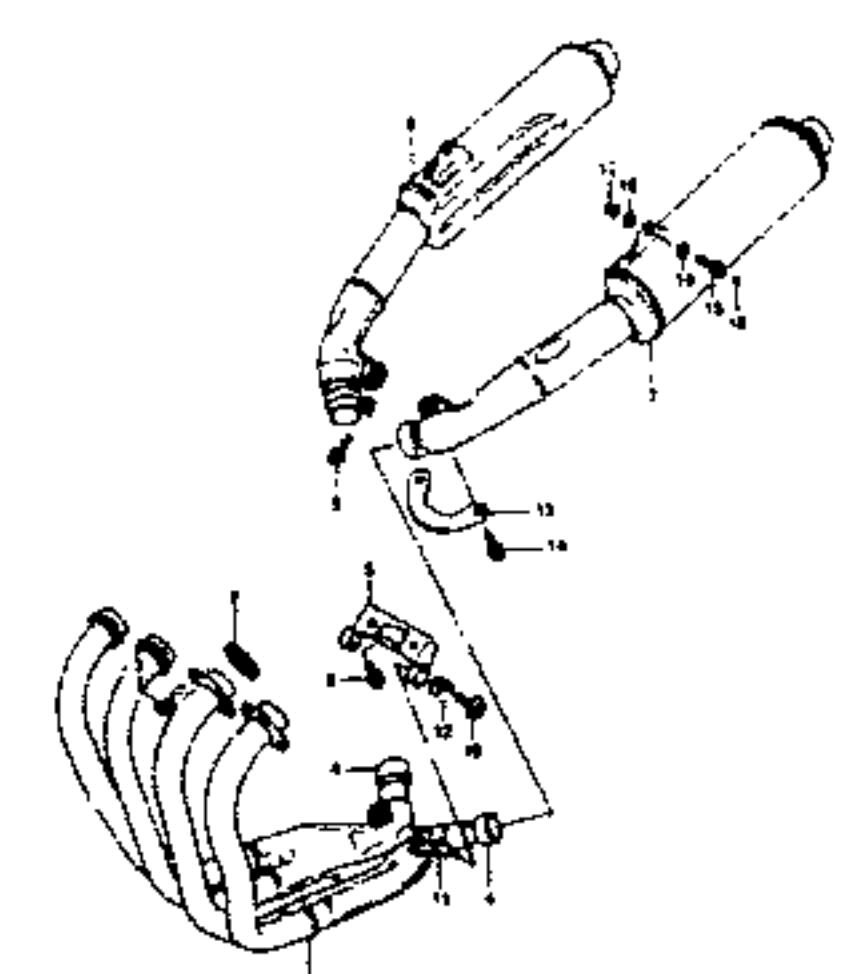
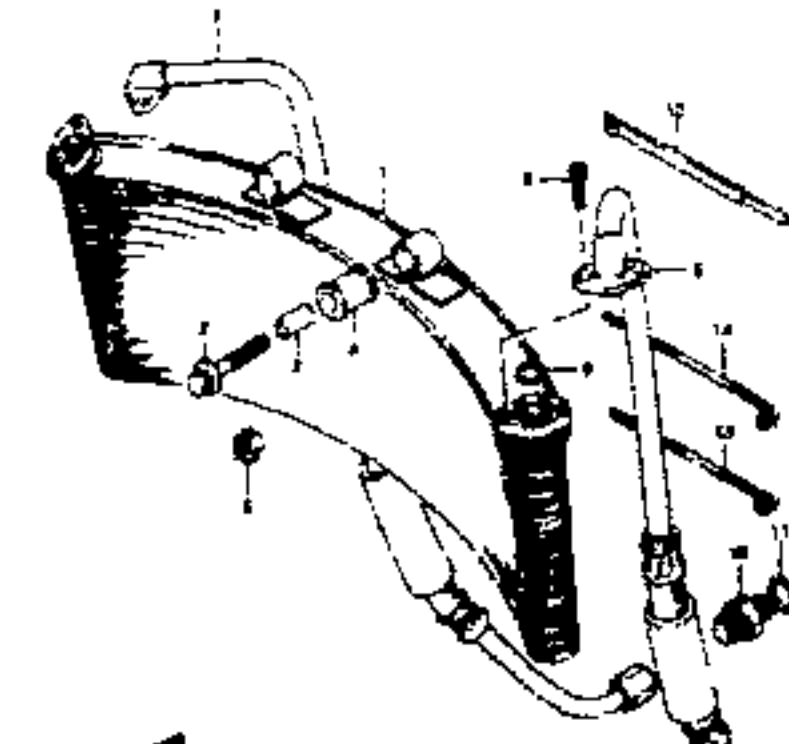
REF. NO.	PART NO.	DESCRIPTION	Q'TY	REMARKS
1	12611-06800	GEAR, starter idle (NT:12/53)	1	
2	09206-11014	PIN	1	
3	12600-48811	CLUTCH SET, starter	1	
4	09103-14005	BOLT	1	



GSX-R1100L E28

GSX-R1100L E28

AIR CLEANER.....C-7	CLUTCH HOSE.....H-10	CYLINDER HEAD COVER..B-2	FRONT FENDER.....G-7	HEADLAMP.....E-9	REAR FENDER.....i-6	STAND.....F-3	WIRING HARNESS..E-12
ALTERNATOR.....E-3	CLUTCH MASTER CYL..H-9	ELECTRICAL.....E-7	FRONT MASTER CYL..H-8	MUFFLER.....C-8	REAR MASTER CYL..i-11	STARTER CLUTCH..B-11	
BATTERY.....E-6	CONVING.....J-4	FOOTREST.....F-4	FRONT WHEEL.....G-9	OIL COOLER.....C-9	REAR SWING ARM...i-2	STARTING MOTOR..E-2	SERIAL FRAME NUMBER
CAM CHAIN.....C-3	CRANKCASE.....B-5	FRAME.....F-2	FUEL COCK.....F-8	OIL PAN.....B-8	REAR WHEEL.....i-8	STEERING DAMPER..G-6	GSX-R1100K : JSIGV73A K2100001~
CAM SHAFT.....C-2	CRANKCASE COVER..B-7	FRAME COVER.....F-11	FUEL TANK.....F-5	OIL PUMP.....B-9	SEAT.....F-9	STEERING STEM...G-4	GSX-R1100L : JSIGV73A L2100001~
CARBURETOR.....C-4	CRANKSHAFT.....B-10	FRONT BRAKE HOSE...H-6	GEAR SHIFT.....D-5	OPTIONAL.....J-10	SEAT TAIL COVER..F-10	TAIL LAMP.....E-11	
CARBURETOR FITT..C-6	CYLINDER.....B-4	FRONT CALIPERS....H-5	HANDLE SWI.....H-4	REAR CALIPER.....i-10	SIGNAL GENERATOR..E-5	TRANSMISSION....D-3	
CLUTCH.....D-2	CYLINDER HEAD....B-3	FRONT DAMPER.....G-2	HANDLEBAR.....H-2	REAR CUSHION LEVER-i-4	SPEEDOMETER.....E-8	TURNSIGNAL LAMP-E-10	

<p>CAM SHAFT - VALVE C-2</p> 	<p>CAM CHAIN C-3</p> 	<p>CARBURETOR C-4</p> 	<p>CARBURETOR FITTINGS C-6</p> 	<p>AIR CLEANER C-7</p> 	<p>MUFFLER C-8</p> 
<p>OIL COOLER C-9</p> 					

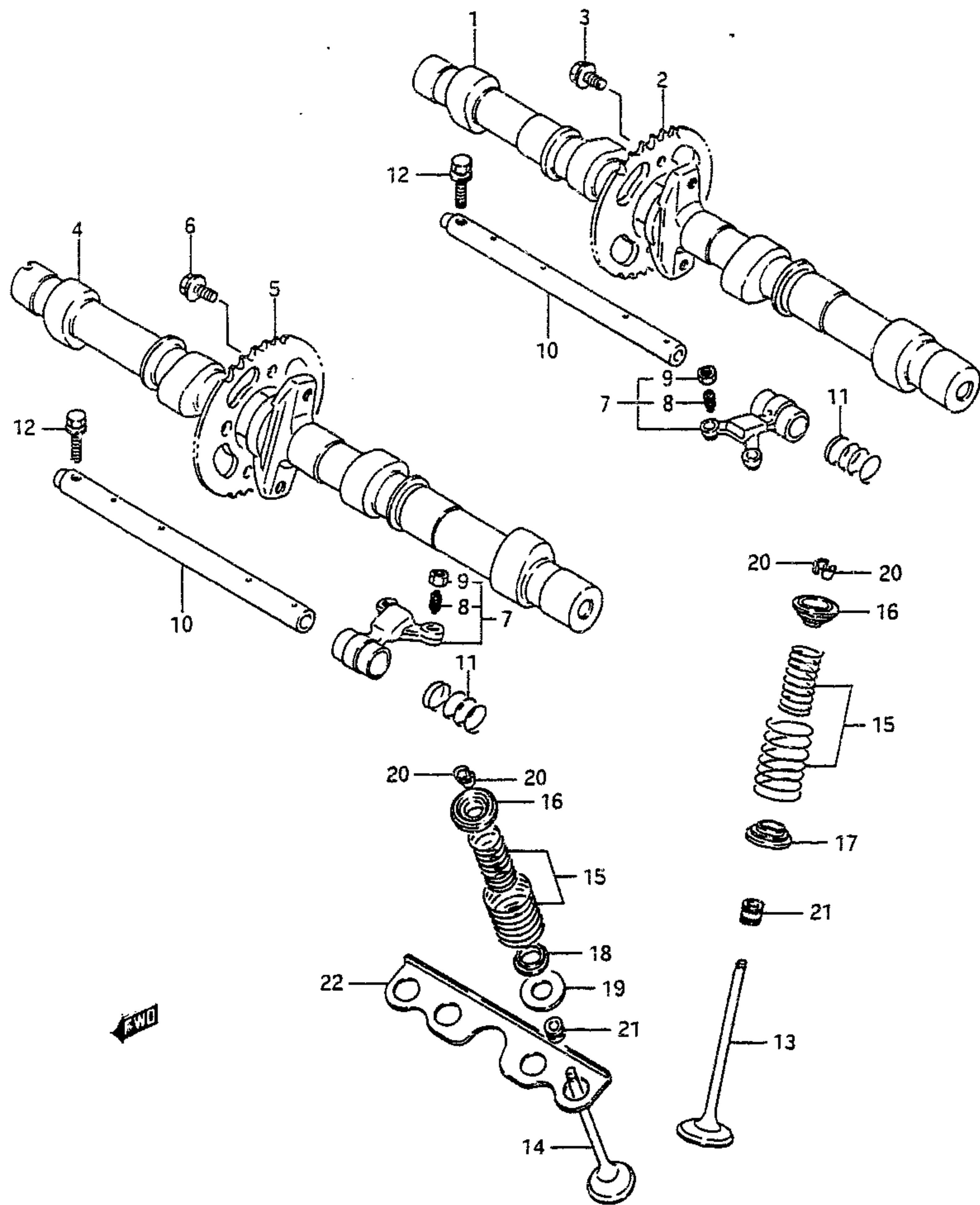
AIR CLEANER.....C-7	CLUTCH HOSE.....H-10	CYLINDER HEAD COVER..B-2	FRONT FENDER.....G-7	HEADLAMP.....E-9	REAR FENDER.....i-6	STAND.....F-3	WIRING HARNESS..E-12
ALTERNATOR.....E-3	CLUTCH MASTER CYL..H-9	ELECTRICAL.....E-7	FRONT MASTER CYL..H-8	MUFFLER.....C-8	REAR MASTER CYL..i-11	STARTER CLUTCH..B-11	
BATTERY.....E-6	COWLING.....J-4	FOOTREST.....F-4	FRONT WHEEL.....G-9	OIL COOLER.....C-9	REAR SWING ARM...i-2	STARTING MOTOR..E-2	SERIAL FRAME NUMBER
CAM CHAIN.....C-3	CRANKCASE.....B-5	FRAME.....F-2	FUEL COCK.....F-8	OIL PAN.....B-8	REAR WHEEL.....i-8	STEERING DAMPER..G-6	GSX-R1100K : JS1GV73A K2100001~
CAM SHAFT.....C-2	CRANKCASE COVER...B-7	FRAME COVER.....F-11	FUEL TANK.....F-6	OIL PUMP.....B-9	SEAT.....F-9	STEERING STEM...G-4	GSX-R1100L : JS1GV73A L2100001~
CARBURETOR.....C-4	CRANKSHAFT.....B-10	FRONT BRAKE HOSE...H-6	GEAR SHIFT.....D-5	OPTIONAL.....J-10	SEAT TAIL COVER..F-10	TAIL LAMP.....E-11	
CARBURETOR FITT..C-6	CYLINDER.....B-4	FRONT CALIPERS.....H-5	HANDLE SWI.....H-4	REAR CALIPER.....i-10	SIGNAL GENERATOR..E-5	TRANSMISSION....D-3	
CLUTCH.....D-2	CYLINDER HEAD.....B-3	FRONT DAMPER.....G-2	HANDLEBAR.....H-2	REAR CUSHION LEVER..i-4	SPEEDOMETER.....E-8	TURN SIGNAL LAMP..E-10	

FIG. 10

C - 2

11

FIG.10 (C- 2) CAM SHAFT - VALVE



REF.NO.	PART NO.	DESCRIPTION	Q'TY	REMARKS
1	12711-06B03	CAM SHAFT, intake	1	
2	12741-06B00	SPROCKET, cam shaft	1	
3	09103-07001	BOLT	2	
4	12721-17C00	CAM SHAFT, exhaust	1	
5	12741-06B00	SPROCKET, cam shaft	1	
6	09103-07001	BOLT	2	
7	12840-27A00	ARM, valve rocker	8	
8	12842-49210	.SCREW	16	
9	12843-04A00	.NUT	16	
10	12861-27A00	SHAFT, valve rocker arm	4	
11	09440-13014	SPRING	8	
12	01717-06306	BOLT	4	
13	12911-06B02	VALVE, intake	8	
14	12912-06B00	VALVE, exhaust	8	
15	12920-06B00	SPRING SET, valve	16	
16	12931-27A01	RETAINER, spring	16	
17	12933-27A00	SEAT, intake	8	
18	12934-27A00	SEAT, exhaust inner	8	
19	12935-27A00	SEAT, exhaust outer	8	
20	12932-27A00	COTTER, valve	32	
21	09289-05011	OIL SEAL	16	
22	11137-27A01	PLATE, valve seat	2	

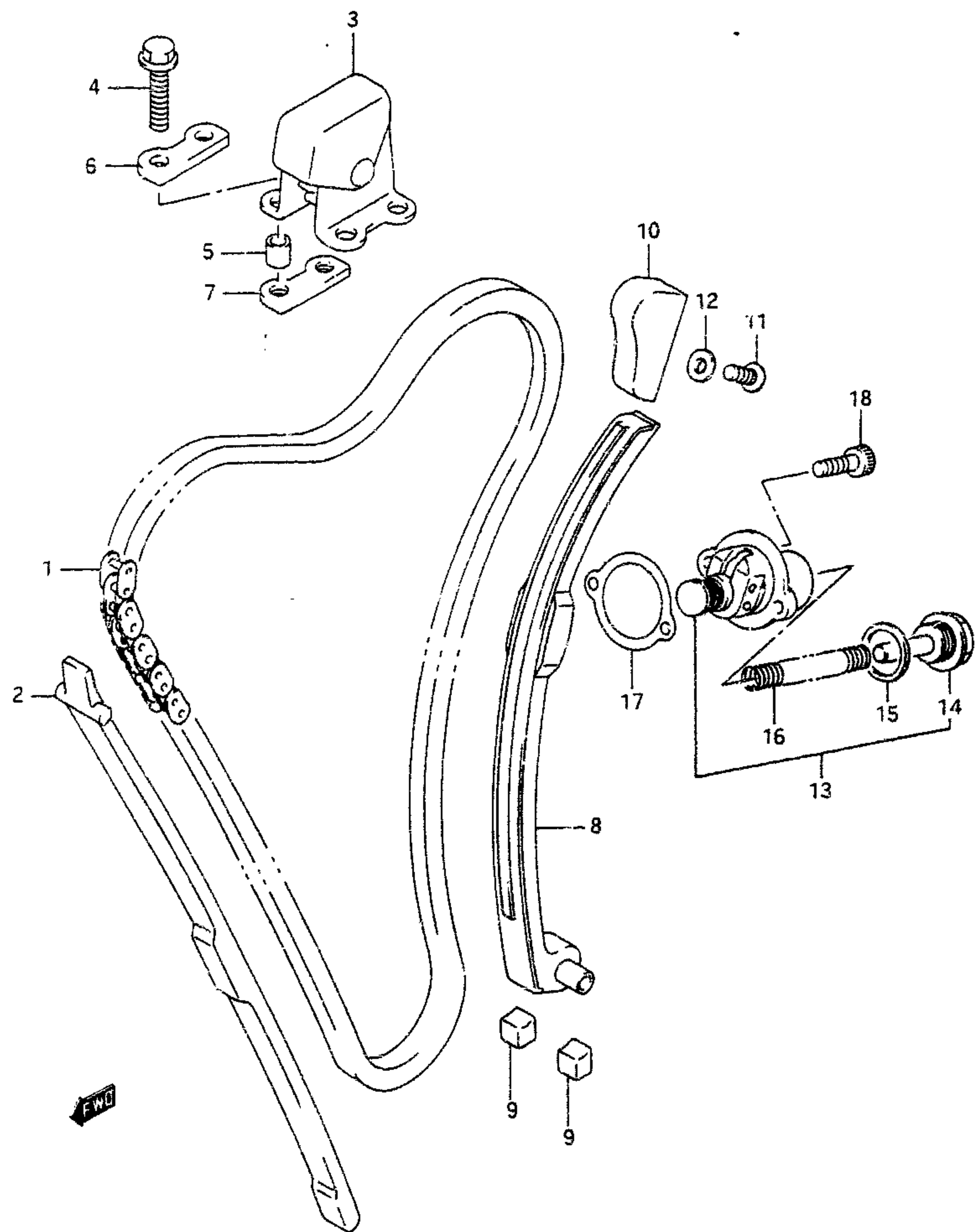
GSX-R1100L E28

GSX-R1100L E28

AIR CLEANER.....C-7	CLUTCH HOSE.....H-10	CYLINDER HEAD COVER..B-2	FRONT FENDER.....G-7	HEADLAMP.....E-9	REAR FENDER.....i-6	STAND.....F-3	WIRING HARNESS..E-12
ALTERNATOR.....E-3	CLUTCH MASTER CYL..H-9	ELECTRICAL.....E-7	FRONT MASTER CYL..H-8	MUFFLER.....C-8	REAR MASTER CYL..i-11	STARTER CLUTCH..B-11	
BATTERY.....E-6	COWLING.....J-4	FOOTREST.....F-4	FRONT WHEEL.....G-9	OIL COOLER.....C-9	REAR SWING ARM...i-2	STARTING MOTOR..E-2	SERIAL FRAME NUMBER
CAM CHAIN.....C-3	CRANKCASE.....B-5	FRAME.....F-2	FUEL COCK.....F-8	OIL PAN.....B-8	REAR WHEEL.....i-8	STEERING DAMPER..G-6	GSX-R1100K : JSIGV73A K2100001~
CAM SHAFT.....C-2	CRANKCASE COVER..B-7	FRAME COVER.....F-11	FUEL TANK.....F-6	OIL PUMP.....B-9	SEAT.....F-9	STEERING STEM...G-4	GSX-R1100L : JSIGV73A L2100001~
CARBURETOR.....C-4	CRANKSHAFT.....B-10	FRONT BRAKE HOSE...H-6	GEAR SHIFT.....D-5	OPTIONAL.....J-10	SEAT TAIL COVER..F-10	TAIL LAMP.....E-11	
CARBURETOR FITT..C-6	CYLINDER.....B-4	FRONT CALIPERS.....H-5	HANDLE SWI.....H-4	REAR CALIPER.....i-10	SIGNAL GENERATOR..E-5	TRANSMISSION....D-3	
CLUTCH.....D-2	CYLINDER HEAD.....B-3	FRONT DAMPER.....G-2	HANDLEBAR.....H-2	REAR CUSHION LEVER..i-4	SPEEDOMETER.....E-8	TURN SIGNAL LAMP..E-10	

FIG. 11

C - 3



12

FIG. 11 (C - 3) CAM CHAIN

REF.NO.	PART NO.	DESCRIPTION	Q'TY	REMARKS
1	12760-40C00	CHAIN, cam shaft drive	1	
2	12771-06B01	GUIDE, cam chain No.1	1	
3	12780-40C00	ROLLER, cam chain	1	
4	01517-06307	BOLT	4	
5	09180-06167	SPACER, cushion	4	
6	12788-48B01	CUSHION (T:5.2)	2	
7	12788-48B11	CUSHION (T:8.6)	2	
8	12810-40C00	TENSIONER, cam chain	1	
9	12814-34200	CUSHION	2	
10	12791-06B01	GUIDE, cam chain No.2	1	
11	01517-06105	BOLT	1	
12	09168-06023	WASHER	1	
13	12830-48B02	ADJUSTER ASSY, tensioner	1	
14	12834-27A00	.PLUG	1	
15	12832-27A00	.GASKET	1	
16	12833-06B00	.SPRING	1	
17	12837-27A00	GASKET, adjuster	1	
18	07110-06255	BOLT	2	

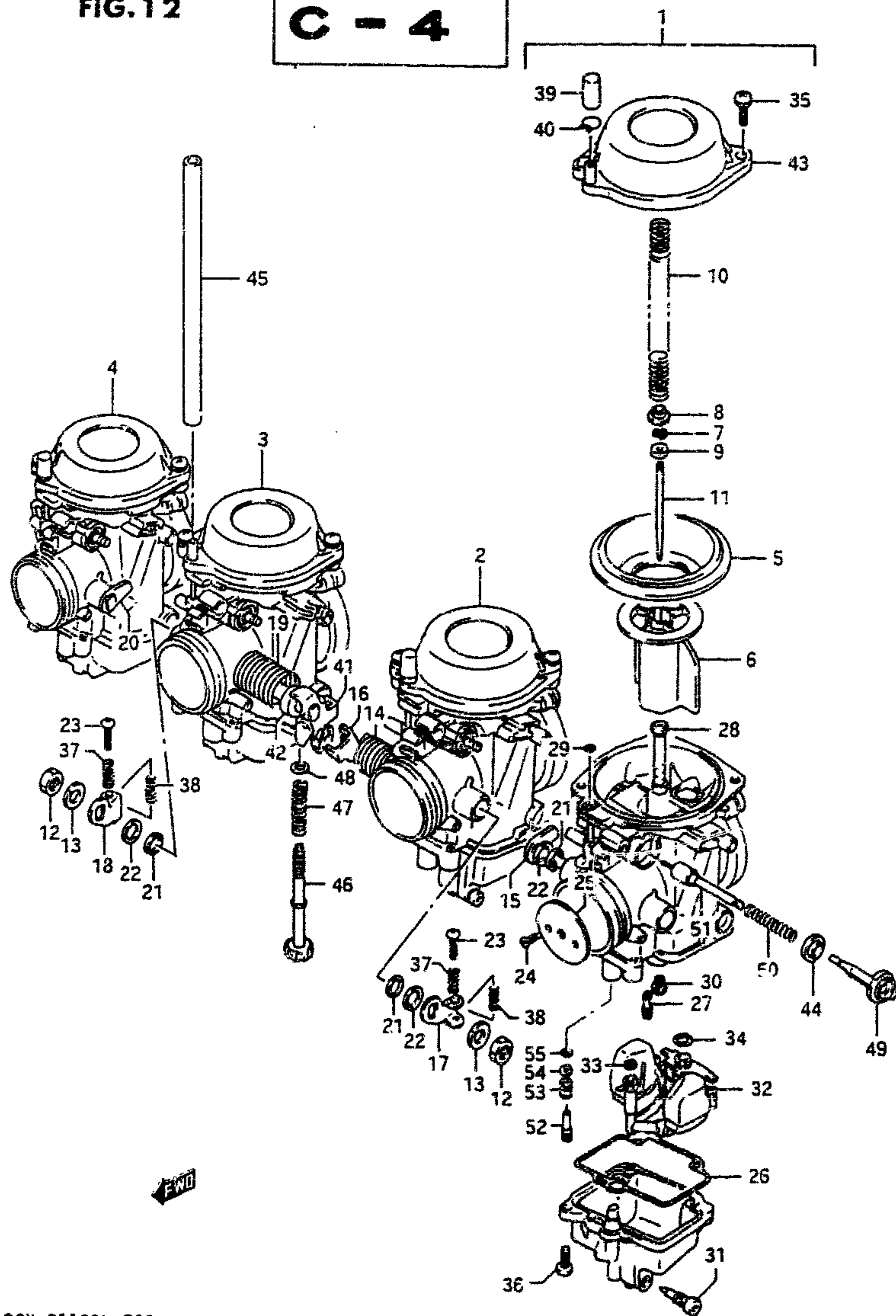
GSX-R1100L E28

GSX-R1100L E28

AIR CLEANER.....C-7	CLUTCH HOSE.....H-10	CYLINDER HEAD COVER..B-2	FRONT FENDER.....G-7	HEADLAMP.....E-9	REAR FENDER.....I-6	STAND.....F-3	WIRING HARNESS..E-12
ALTERNATOR.....E-3	CLUTCH MASTER CYL..H-9	ELECTRICAL.....E-7	FRONT MASTER CYL..H-8	MUFFLER.....C-8	REAR MASTER CYL..I-11	STARTER CLUTCH..B-11	
BATTERY.....E-6	COWLING.....J-4	FOOTREST.....F-4	FRONT WHEEL.....G-9	OIL COOLER.....C-9	REAR SWING ARM...I-2	STARTING MOTOR..E-2	SERIAL FRAME NUMBER
CAM CHAIN.....C-3	CRANKCASE.....B-5	FRAME.....F-2	FUEL COCK.....F-8	OIL PAN.....B-8	REAR WHEEL.....I-8	STEERING DAMPER..G-6	GSX-R1100K : JSIGV73A K2100001~
CAM SHAFT.....C-2	CRANKCASE COVER...B-7	FRAME COVER.....F-11	FUEL TANK.....F-6	OIL PUMP.....B-9	SEAT.....F-9	STEERING STEM...G-4	GSX-R1100L : JSIGV73A L2100001~
CARBURETOR.....C-4	CRANKSHAFT.....B-10	FRONT BRAKE HOSE...H-6	GEAR SHIFT.....D-5	OPTIONAL.....J-10	SEAT TAIL COVER..F-10	TAIL LAMP.....E-11	
CARBURETOR FITT..C-6	CYLINDER.....B-4	FRONT CALIPERS.....H-5	HANDLE SWI.....H-4	REAR CALIPER.....I-10	SIGNAL GENERATOR..E-5	TRANSMISSION....D-3	
CLUTCH.....D-2	CYLINDER HEAD.....B-3	FRONT DAMPER.....G-2	HANDLEBAR.....H-2	REAR CUSHION LEVER..I-4	SPEEDOMETER.....E-8	TURN SIGNAL LAMP..E-10	

FIG. 12

C - 4



GSX-R1100L E28

FIG.12 (C- 4) CARBURETOR

REF.NO.	PART NO.	DESCRIPTION	Q'TY	REMARKS
1	13201-40C00	CARBURETOR ASSY, LH	1	
2	13202-40C00	CARBURETOR ASSY, ML	1	
3	13203-40C00	CARBURETOR ASSY, MR	1	
4	13204-40C00	CARBURETOR ASSY, RH	1	
5	13507-17C00	.DIAPHRAGM	4	
6	13501-17C00	.VALVE, piston	4	
7	13394-10010	.E RING	4	
8	13382-42A00	.RING	4	
9	13387-47010	.RING	4	
10	13417-42A00	.SPRING	4	
11	13383-40C00	.NEEDLE, jet (5E56-3)	4	
12	08310-21086	.NUT	2	ML,MR
13	08321-31086	.LOCK WASHER	2	ML,MR
14	13573-17C00	.SPRING	1	ML
15	13550-17C00	.SHAFT ASSY	1	LH
16	13550-17C10	.SHAFT ASSY	1	ML
17	13553-17C00	.LEVER	1	ML
18	13553-44B00	.LEVER	1	MR
19	13573-17C10	.SPRING	1	MR
20	13550-17C30	.SHAFT ASSY	1	RH
21	13556-44B00	.SEAL	6	LH,RH:1,ML:MR:2
22	13557-47070	.WASHER	4	
23	13267-44B00	.SCREW	3	ML:2,MR:1
24	13604-42A00	.SCREW	8	
25	13551-17C00	.VALVE, throttle (125)	4	
26	13258-44B00	.GASKET, float chamber	4	
27	09492-40014	.JET, pilot (40)	4	
28	09494-00634	.JET, needle (0-9)	4	
29	13509-17C00	.O RING	4	
30	09491-24013	.JET, main (122.5)	4	

GSX-R1100L E28

AIR CLEANER.....C-7	CLUTCH HOSE.....H-10	CYLINDER HEAD COVER..B-2	FRONT FENDER.....G-7	HEADLAMP.....E-9	REAR FENDER.....I-6	STAND.....F-3	WIRING HARNESS..E-12
ALTERNATOR.....E-3	CLUTCH MASTER CYL..H-9	ELECTRICAL.....E-7	FRONT MASTER CYL..H-8	MUFFLER.....C-8	REAR MASTER CYL..I-11	STARTER CLUTCH..B-11	
BATTERY.....E-6	COWLING.....J-4	FOOTREST.....F-4	FRONT WHEEL.....G-9	OIL COOLER.....C-9	REAR SWING ARM...I-2	STARTING MOTOR..E-2	SERIAL FRAME NUMBER
CAM CHAIN.....C-3	CRANKCASE.....B-5	FRAME.....F-2	FUEL COCK.....F-8	OIL PAN.....B-8	REAR WHEEL.....I-8	STEERING DAMPER..G-6	GSX-R1100K : JS1GV73A K2100001~
CAM SHAFT.....C-2	CRANKCASE COVER...B-7	FRAME COVER.....F-11	FUEL TANK.....F-6	OIL PUMP.....B-9	SEAT.....F-9	STEERING STEM...G-4	GSX-R1100L : JS1GV73A L2100001~
CARBURETOR.....C-4	CRANKSHAFT.....B-10	FRONT BRAKE HOSE...H-6	GEAR SHIFT.....D-5	OPTIONAL.....J-10	SEAT TAIL COVER..F-10	TAIL LAMP.....E-11	
CARBURETOR FITT..C-6	CYLINDER.....B-4	FRONT CALIPERS....H-5	HANDLE SWI.....H-4	REAR CALIPER.....I-10	SIGNAL GENERATOR..E-5	TRANSMISSION....D-3	
CLUTCH.....D-2	CYLINDER HEAD.....B-3	FRONT DAMPER.....G-2	HANDLEBAR.....H-2	REAR CUSHION LEVER..I-4	SPEEDOMETER.....E-8	TURN SIGNAL LAMP..E-10	

FIG. 12

C - 5

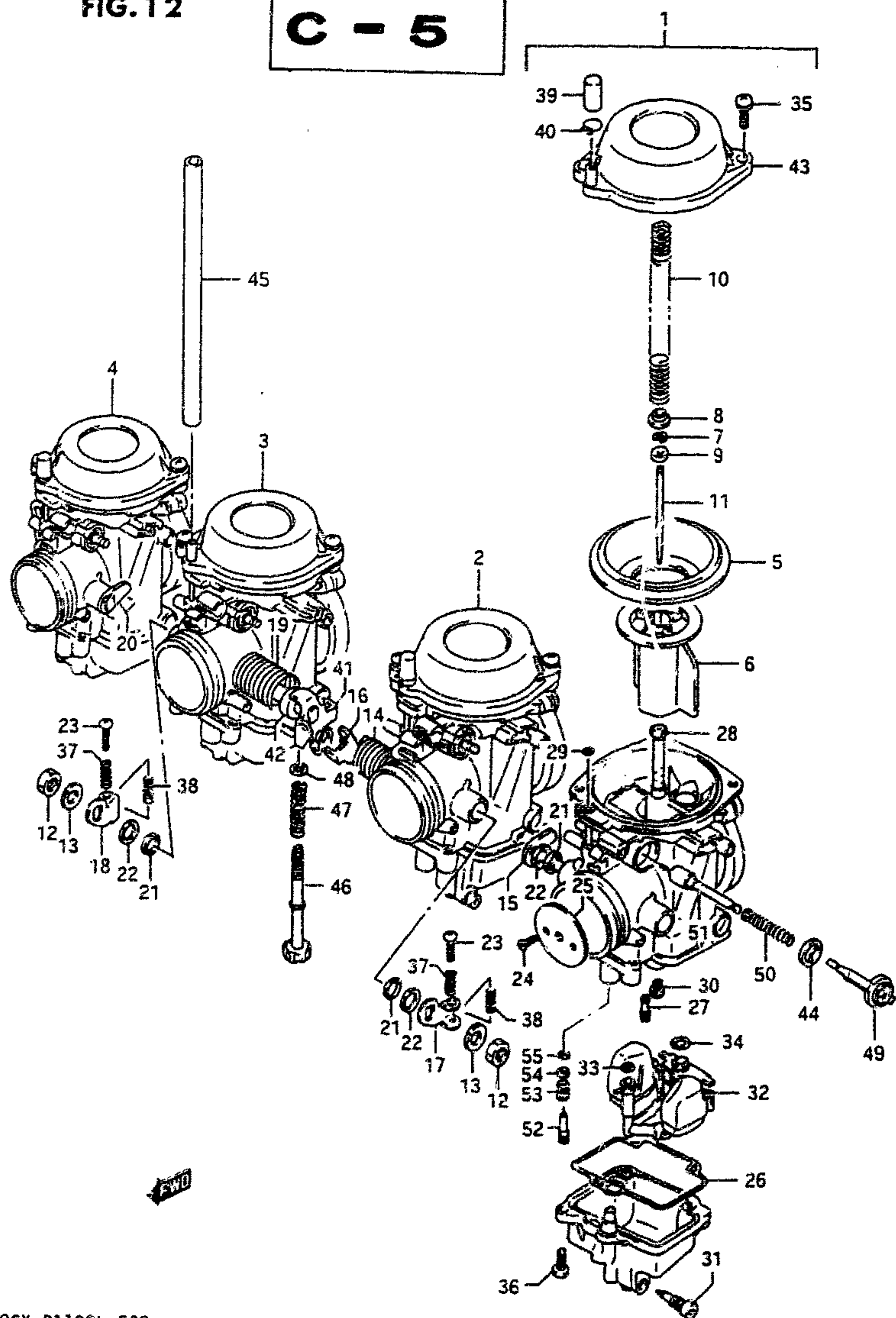


FIG. 12 (C- 5) CARBURETOR

REF.NO.	PART NO.	DESCRIPTION	Q'TY	REMARKS
31	13247-38800	.SCREW, drain	4	
32	13250-17C00	.FLOAT/NEEDLE VALVE ASSY	4	
33	13374-46710	.O RING	4	
34	13374-44080	.O RING	4	
35	13602-34390	.SCREW	8	
36	13602-05128	.SCREW	8	
37	13271-44800	.SPRING	3	ML:2,MR:1
38	13268-17C10	.SPRING	3	ML;2,MR:1
39	13508-17C00	.CAP	3	LH,ML,RH
40	13671-33600	.CLIP	3	LH,ML,RH
41	13550-17C00	.SHAFT ASSY	1	MR
42	13574-28A00	.RING	1	MR
43	13502-17C00	.COVER, diaphragm	4	
44	13418-17C00	.CAP, starter	4	
45	13687-17C00	.HOSE (5x9x175)	1	MR
46	13267-28A00	.ADJUSTER	1	MR
47	13268-43410	.SPRING	1	MR
48	13427-38300	.WASHER	1	MR
49	13418-17C10	.HOLDER	4	
50	13417-09110	.SPRING	4	
51	13411-05320	.PLUNGER ASSY	4	
52	13279-47070	.SCREW, air (2.0)	4	
53	13268-47070	.SPRING	4	
54	13291-29900	.WASHER	4	
55	13295-29900	.O RING	4	

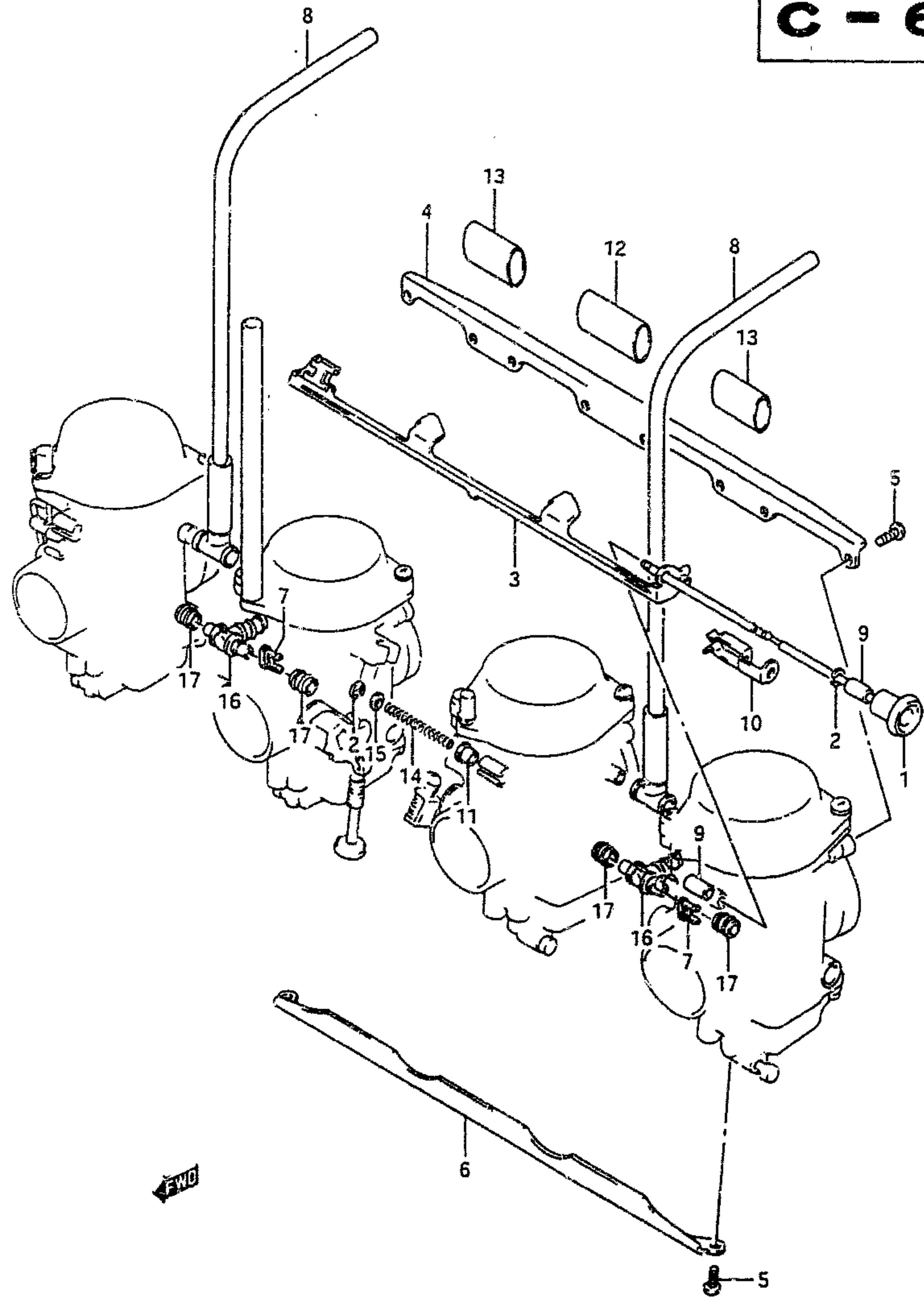
GSX-R1100L E28

GSX-R1100L E28

AIR CLEANER.....C-7	CLUTCH HOSE.....H-10	CYLINDER HEAD COVER..B-2	FRONT FENDER.....G-7	HEADLAMP.....E-9	REAR FENDER.....I-6	STAND.....F-3	WIRING HARNESS..E-12
ALTERNATOR.....E-3	CLUTCH MASTER CYL..H-9	ELECTRICAL.....E-7	FRONT MASTER CYL..H-8	MUFFLER.....C-8	REAR MASTER CYL..I-11	STARTING CLUTCH..B-11	
BATTERY.....E-6	COWLING.....J-4	FOOTREST.....F-4	FRONT WHEEL.....G-9	OIL COOLER.....C-9	REAR SWING ARM...I-2	STARTING MOTOR..E-2	SERIAL FRAME NUMBER
CAM CHAIN.....C-3	CRANKCASE.....B-5	FRAME.....F-2	FUEL COCK.....F-8	OIL PAN.....B-8	REAR WHEEL.....I-8	STEERING DAMPER..G-6	GSX-R1100K : JSIGV73A K2100001~
CAM SHAFT.....C-2	CRANKCASE COVER..B-7	FRAME COVER.....F-11	FUEL TANK.....F-6	OIL PUMP.....B-9	SEAT.....F-9	STEERING STEM...G-4	GSX-R1100L : JSIGV73A L2100001~
CARBURETOR.....C-4	CRANKSHAFT.....B-10	FRONT BRAKE HOSE...H-6	GEAR SHIF..D-5	OPTIONAL.....J-10	SEAT TAIL COVER..F-10	TAIL LAMP.....E-11	
CARBURETOR FITT..C-6	CYLINDER.....B-4	FRONT CALIPERS....H-5	HANDLE SWI.....H-4	REAR CALIFER.....I-10	SIGNAL GENERATOR..E-5	TRANSMISSION....D-3	
CLUTCH.....D-2	CYLINDER HEAD....B-3	FRONT DAMPER.....G-2	HANDLEBAR.....H-2	REAR CUSHION LEVER..I-4	SPEEDOMETER.....E-8	TURN SIGNAL LAMP..E-10	

FIG. 12A

C - 6



15

FIG.12A(C- 6) CARBURETOR FITTINGS

REF.NO.	PART NO.	DESCRIPTION	Q'TY	REMARKS
1	13410-17C00	SHAFT, starter	1	
2	13415-38300	E RING	2	
3	13413-17C00	LEVER	1	
4	13628-17C10	PLATE	1	
5	13602-05128	SCREW	16	
6	13628-17C00	PLATE	1	
7	13439-17C00	HOLDER	2	
8	13683-17C30	HOSE ASSY	2	LH,L:625+250 RH,L:625+350
9	13432-17C00	SPACER	2	
10	13421-17C00	PLATE	1	
11	13557-05A10	RING	1	
12	13684-17C00	HOSE	1	
13	13684-17C10	HOSE	2	
14	13417-09210	SPRING	1	
15	13606-02340	WASHER	1	
16	13685-44B00	NIPPLE	2	
17	13673-44B00	SEAL	4	

GSX-R1100L E2B

GSX-R1100L E2B

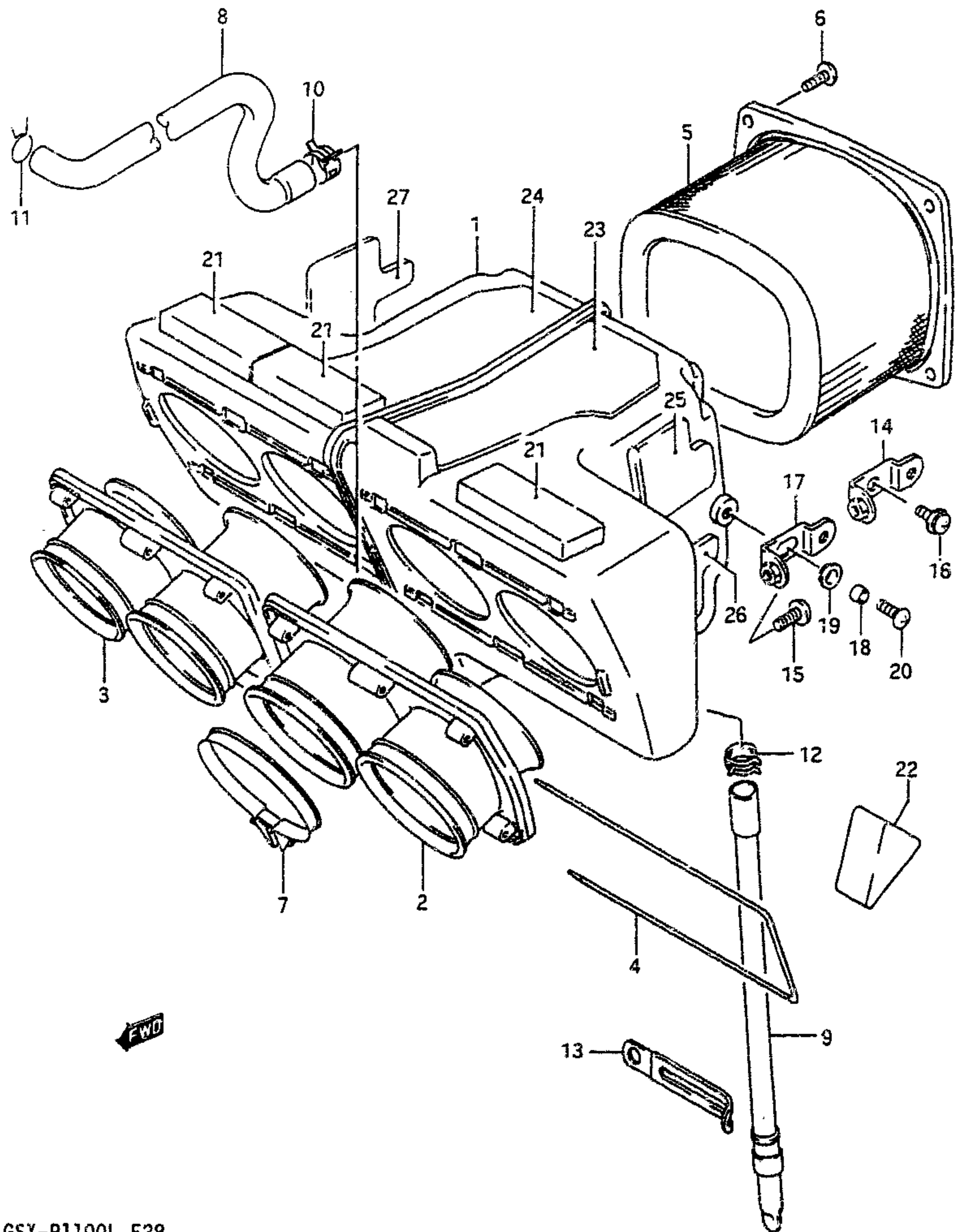
AIR CLEANER.....C-7	CLUTCH HOSE.....H-10	CYLINDER HEAD COVER..B-2	FRONT FENDER.....G-7	HEADLAMP.....E-9	REAR FENDER.....I-6	STAND.....F-3	WIRING HARNESS..E-12
ALTERNATOR.....E-3	CLUTCH MASTER CYL..H-9	ELECTRICAL.....E-7	FRONT MASTER CYL..H-8	MUFFLER.....C-8	REAR MASTER CYL..I-11	STARTER CLUTCH..B-11	
BATTERY.....E-6	COWLING.....J-4	FOOTREST.....F-4	FRONT WHEEL.....G-9	OIL COOLER.....C-9	REAR SWING ARM..I-2	STARTING MOTOR..E-2	SERIAL FRAME NUMBER
CAM CHAIN.....C-3	CRANKCASE.....B-5	FRAME.....F-2	FUEL COCK.....F-8	OIL PAN.....B-8	REAR WHEEL.....I-8	STEERING DAMPER..G-6	GSX-R1100K : JS1GV73A K2100001~
CAM SHAFT.....C-2	CRANKCASE COVER..B-7	FRAME COVER.....F-11	FUEL TANK.....F-6	OIL PUMP.....B-9	SEAT.....F-9	STEERING STEM..G-4	GSX-R1100L : JS1GV73A L2100001~
CARBURETOR.....C-4	CRANKSHAFT.....B-10	FRONT BRAKE HOSE..H-6	GEAR SHIFT.....D-5	OPTIONAL.....J-10	SEAT TAIL COVER..F-10	TAIL LAMP.....E-11	
CARBURETOR FITT..C-6	CYLINDER.....B-4	FRONT CALIPERS.....H-5	HANDLE SWI.....H-4	REAR CALIPER.....I-10	SIGNAL GENERATOR..E-5	TRANSMISSION....D-3	
CLUTCH.....D-2	CYLINDER HEAD....B-3	FRONT DAMPER.....G-2	HANDLEBAR.....H-2	REAR CUSHION LEVER..I-4	SPEEDOMETER.....E-8	TURN SIGNAL LAMP..E-10	

FIG. 13

C - 7

16

FIG.13 (C- 7) AIR CLEANER



REF.NO.	PART NO.	DESCRIPTION	Q'TY	REMARKS
1	13720-17C00	CASE, air cleaner	1	
2	13880-17C00	TUBE, outlet,LH	1	
3	13890-17C00	TUBE, outlet,RH	1	
4	13899-17C00	SHAFT, outlet tube	2	
5	13780-17C00	FILTER	1	
6	02142-05164	SCREW	4	
7	09402-66208	CLAMP	4	
8	13854-40C00	TUBE, breather	1	
9	13870-11417	TUBE, drain	1	
10	09401-13406	CLIP	1	
11	13824-48B10	CLIP	1	
12	09401-16402	CLIP	1	
13	09404-10404	CLAMP, drain tube	1	
14	13760-17C00	BRACKET, cleaner case	2	
15	02142-06166	SCREW	2	
16	02112-76128	SCREW	2	
17	13760-17C01	BRACKET, cleaner case	2	
18	09180-06142	SPACER	2	
19	09161-09003	WASHER	2	
20	02142-06166	SCREW	2	
21	13848-17C00	CUSHION, case	3	
22	13897-17C00	CUSHION, air vent hose, No.1	1	
23	13842-17C10	SHEET, No.1	1	
24	13843-17C10	SHEET, No.2	1	
25	13844-17C10	SHEET, No.3	1	
26	13845-17C10	SHEET, No.4	1	
27	13846-17C10	SHEET, No.5	1	

GSX-R1100L E28

GSX-R1100L E28

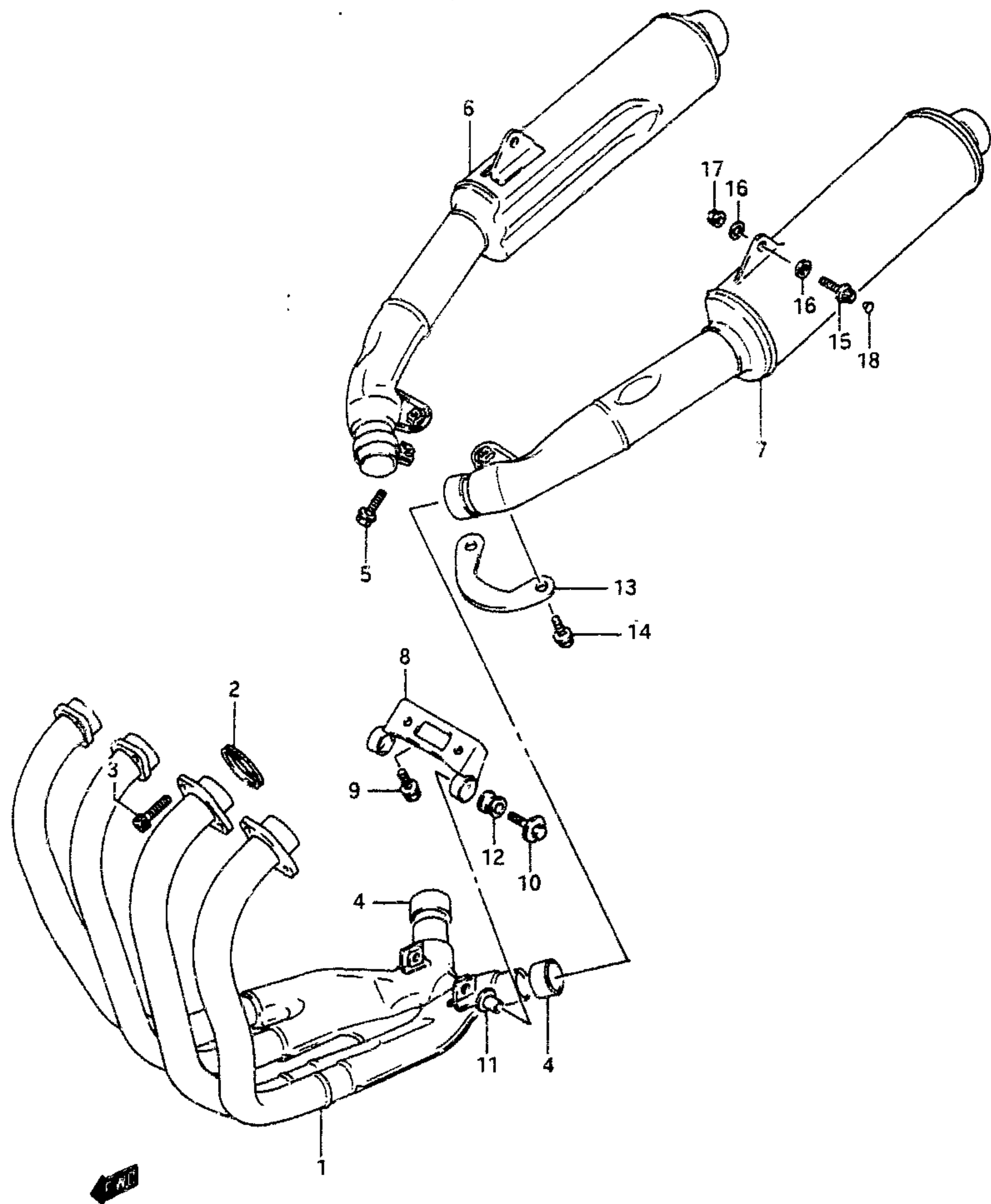
AIR CLEANER.....C-7	CLUTCH HOSE.....H-10	CYLINDER HEAD COVER..B-2	FRONT FENDER.....G-7	HEADLAMP.....E-9	REAR FENDER.....i-6	STAND.....F-3	WIRING HARNESS-E-12
ALTERNATOR.....E-3	CLUTCH MASTER CYL..H-9	ELECTRICAL.....E-7	FRONT MASTER CYL..H-8	MUFFLER.....C-8	REAR MASTER CYL..i-11	STARTER CLUTCH..B-11	
BATTERY.....E-6	COWLING.....J-4	FOOTREST.....F-4	FRONT WHEEL.....G-9	OIL COOLER.....C-9	REAR SWING ARM...i-2	STARTING MOTOR..E-2	SERIAL FRAME NUMBER
CAM CHAIN.....C-3	CRANKCASE.....B-5	FRAME.....F-2	FUEL COCK.....F-8	OIL PAN.....B-8	REAR WHEEL.....i-8	STEERING DAMPER..G-6	GSX-R1100K : JS1GV73A K2100001~
CAM SHAFT.....C-2	CRANKCASE COVER...B-7	FRAME COVER.....F-11	FUEL TANK.....F-6	OIL PUMP.....B-9	SEAT.....F-9	STEERING STEM...G-4	GSX-R1100L : JS1GV73A L2100001~
CARBURETOR.....C-4	CRANKSHAFT.....B-10	FRONT BRAKE HOSE...H-6	GEAR SHIFT.....D-5	OPTIONAL.....J-10	SEAT TAIL COVER..F-10	TAIL LAMP.....E-11	
CARBURETOR FITT..C-6	CYLINDER.....B-4	FRONT CALIPERS.....H-5	HANDLE SWI.....H-4	REAR CALIPER.....i-10	SIGNAL GENERATOR..E-5	TRANSMISSION....D-3	
CLUTCH.....D-2	CYLINDER HEAD.....B-3	FRONT DAMPER.....G-2	HANDLEBAR.....H-2	REAR CUSHION LEVER..i-4	SPEEDOMETER.....E-8	TURN SIGNAL LAMP..E-10	

FIG.14

C - 8

17

FIG.14 (C- 8) MUFFLER



REF.NO.	PART NO.	DESCRIPTION	Q'TY	REMARKS
1-1	14100-40C01-H01	EXHAUST ASSY	1	model K
1-2	14100-40C03-H01	EXHAUST ASSY	1	model L
2	14181-40C00	GASKET, exhaust pipe	4	
3	07110-08255	BOLT	8	
4	14771-44B00	CONNECTOR, muffer	2	
5	01517-08408	BOLT	2	
6-1	14310-40C01	MUFFLER, RH	1	model K, to 14310-40C50
6-2	14310-40C50	MUFFLER, RH	1	model L
7-1	14340-40C01	MUFFLER, LH	1	model K, to 14340-40C50
7-2	14340-40C50	MUFFLER, RH	1	model L
8-1	14770-40C01	DAMPER, muffer support	1	model K
8-2	14770-40C10	DAMPER, muffer support	1	model L
9	09100-08240	BOLT (8x20)	2	
10	09118-08080	BOLT (8x35)	2	
11	09180-08157	SPACER	2	
12-1	09320-12038	CUSHION	2	model K
12-2	09320-12056	CUSHION	2	model L
13	14761-40C00	PLATE, muffer joint	1	
14	01127-08166	BOLT	2	
15	07120-10357	BOLT	2	
16	09160-10066	WASHER	4	
17	08316-16105	NUT	2	
18	09250-08012	CAP	2	

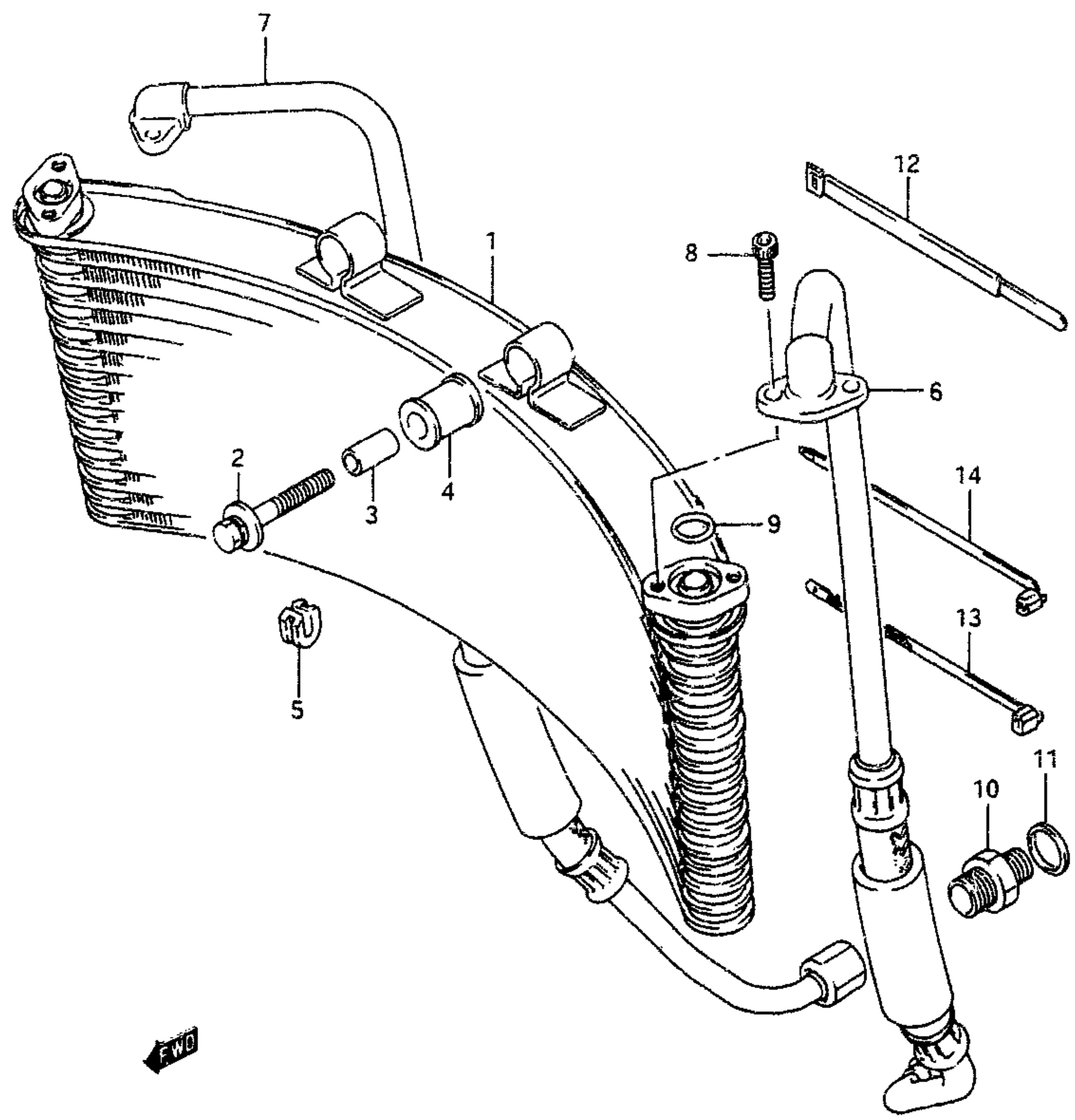
GSX-R1100L E28

GSX-R1100L E28

AIR CLEANER.....C-7	CLUTCH HOSE.....H-10	CYLINDER HEAD COVER..B-2	FRONT FENDER.....G-7	HEADLAMP.....E-9	REAR FENDER.....I-6	STAND.....F-3	WIRING HARNESS..E-12
ALTERNATOR.....E-3	CLUTCH MASTER CYL..H-9	ELECTRICAL.....E-7	FRONT MASTER CYL..H-8	MUFFLER.....C-8	REAR MASTER CYL..I-11	STARTER CLUTCH..B-11	
BATTERY.....E-6	COWLING.....J-4	FOOTREST.....F-4	FRONT WHEEL.....G-9	OIL COOLER.....C-9	REAR SWING ARM...I-2	STARTING MOTOR..E-2	SERIAL FRAME NUMBER
CAM CHAIN.....C-3	CRANKCASE.....B-5	FRAME.....F-2	FUEL COCK.....F-8	OIL PAN.....B-8	REAR WHEEL.....I-8	STEERING DAMPER..G-6	GSX-R1100K : JSIGV73A K2100001~
CAM SHAFT.....C-2	CRANKCASE COVER..B-7	FRAME COVER.....F-11	FUEL TANK.....F-6	OIL PUMP.....B-9	SEAT.....F-9	STEERING STEM...G-4	GSX-R1100L : JSIGV73A L2100001~
CARBURETOR.....C-4	CRANKSHAFT.....B-10	FRONT BRAKE HOSE...H-6	GEAR SHIFT.....D-5	OPTIONAL.....J-10	SEAT TAIL COVER..F-10	TAIL LAMP.....E-11	
CARBURETOR FITT..C-6	CYLINDER.....B-4	FRONT CALIPERS.....H-5	HANDLE SWI.....H-4	REAR CALIPER.....I-10	SIGNAL GENERATOR..E-5	TRANSMISSION....D-3	
CLUTCH.....D-2	CYLINDER HEAD.....B-3	FRONT DAMPER.....G-2	HANDLEBAR.....H-2	REAR CUSHION LEVER..I-4	SPEEDOMETER.....E-8	TURN SIGNAL LAMP..E-10	

FIG. 15

C - 9



18

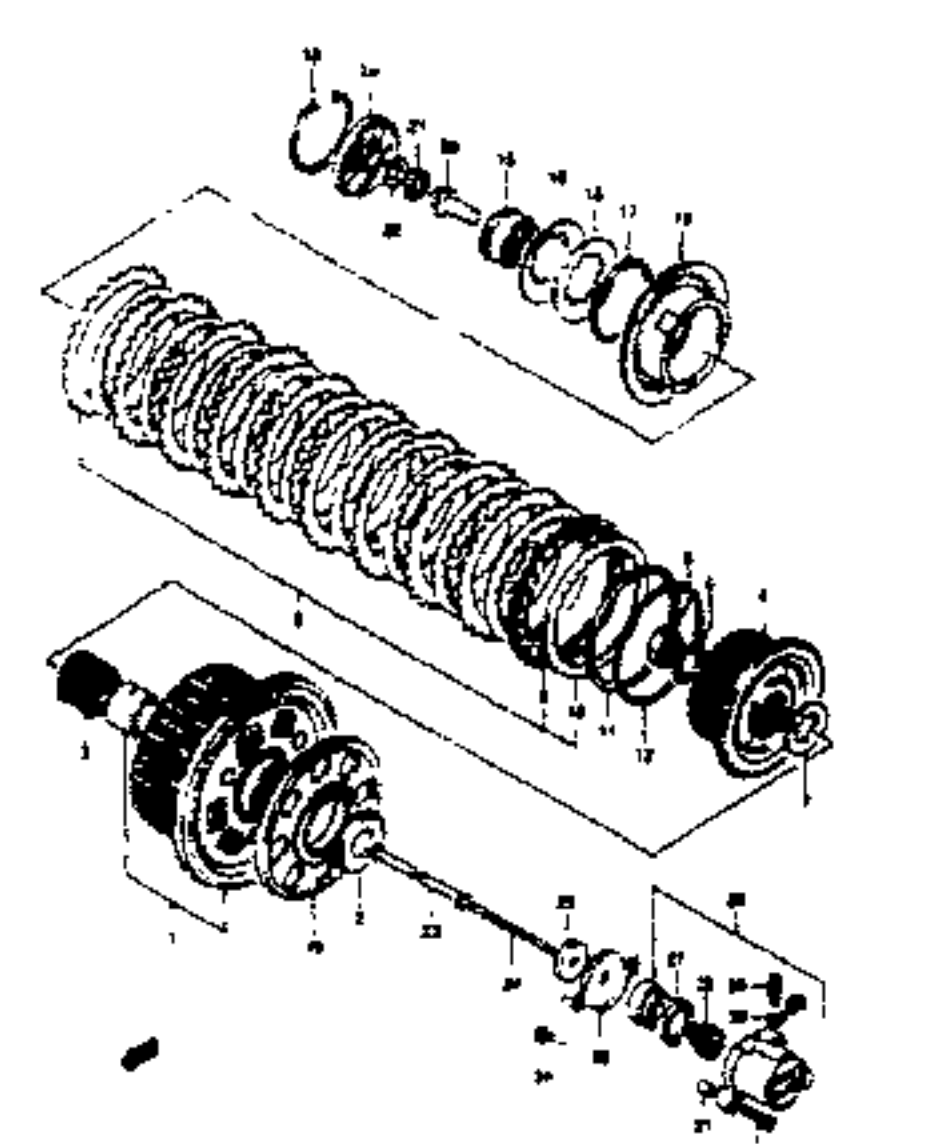
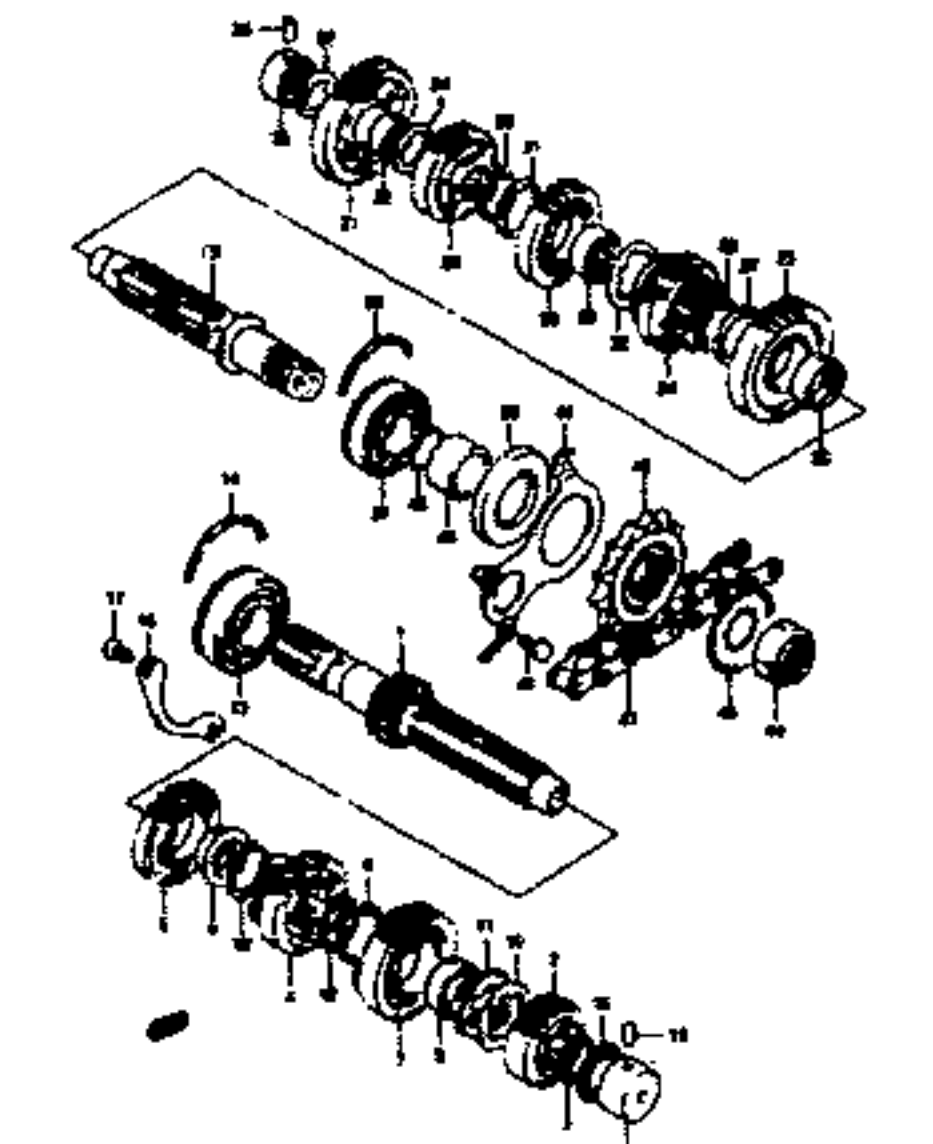
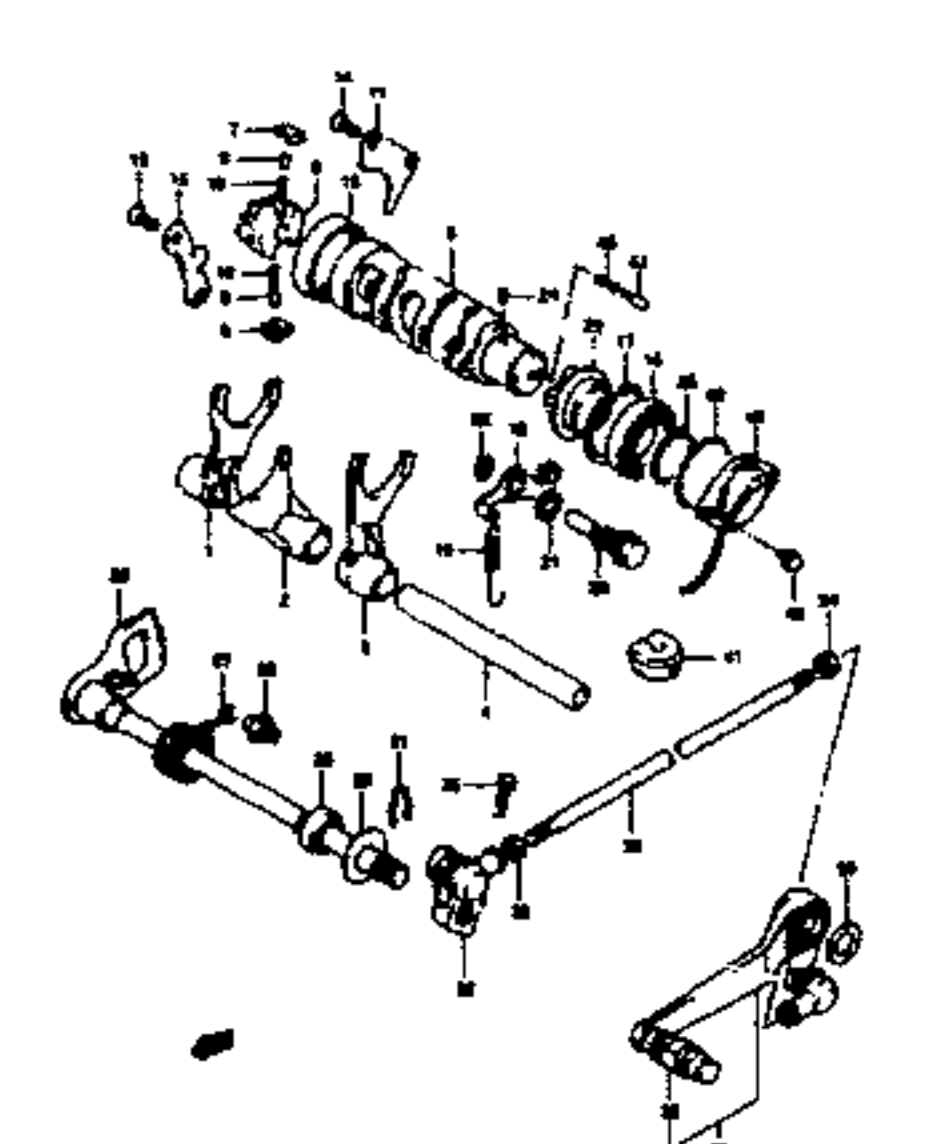
FIG.15 (C- 9) OIL COOLER

REF.NO.	PART NO.	DESCRIPTION	Q'TY	REMARKS
1-1	16600-40C02	COOLER ASSY, oil	1	~E.No.105414,+16600-40C01
1-2	16600-40C03	COOLER ASSY, oil	1	E.No.105415~
2	09118-08131	BOLT (8x40)	2	
3	09180-08124	SPACER (8.8x12x24.5)	2	
4	16629-27A01	CUSHION, No.1	2	
5	16628-27A00	CUSHION, No.2	2	
6-1	16460-40C00	HOSE, oil cooler LH	1	~E.No.105414
6-2	16460-40C01	HOSE, oil cooler LH	1	E.No.105415~
7-1	16470-40C00	HOSE, oil cooler RH	1	~E.No.105414
7-2	16470-40C01	HOSE, oil cooler RH	1	E.No.105415~
8	07110-06165	BOLT	4	
9	09280-12008	O RING	2	
10	09360-20002	BOLT, union	2	
11	09168-16002	GASKET (16x22x2)	2	
12	09407-25301	CLAMP, oil hose	2	E.No.105415~
13	09407-22404	CLAMP	2	E.No.105415~
14	09407-25401	CLAMP	2	E.No.105415~

GSX-R1100L E28

GSX-R1100L E26

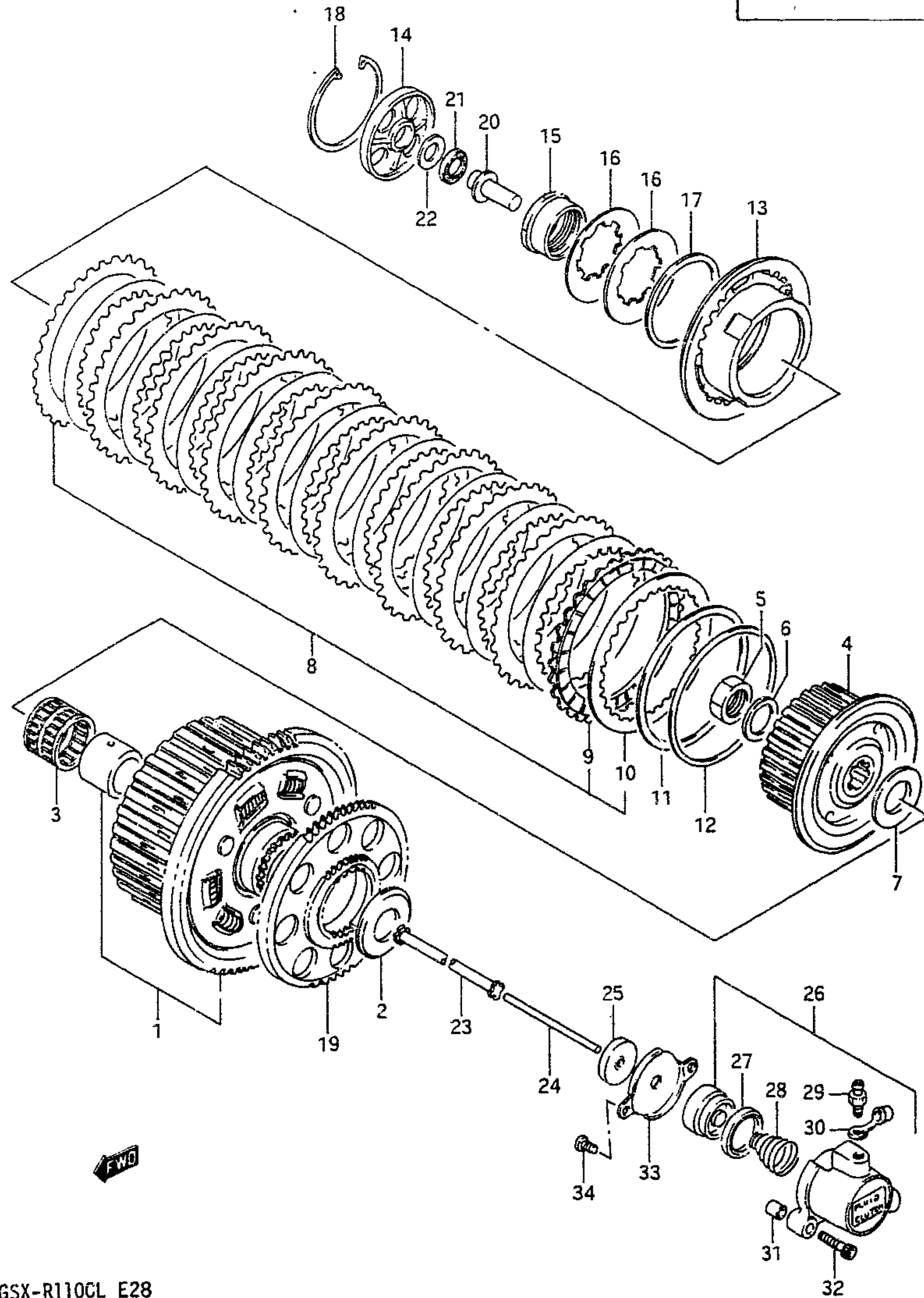
AIR CLEANER.....C-7	CLUTCH HOSE.....H-10	CYLINDER HEAD COVER..B-2	FRONT FENDER.....G-7	HEADLAMP.....E-9	REAR FENDER.....I-6	STAND.....F-3	WIRING HARNESS..E-12
ALTERNATOR.....E-3	CLUTCH MASTER CYL..H-9	ELECTRICAL.....E-7	FRONT MASTER CYL..H-8	MUFFLER.....C-8	REAR MASTER CYL..I-11	STARTER CLUTCH..B-11	
BATTERY.....E-6	COWLING.....J-4	FOOTREST.....F-4	FRONT WHEEL.....G-9	OIL COOLER.....C-9	REAR SWING ARM...I-2	STARTING MOTOR..E-2	SERIAL FRAME NUMBER
CAM CHAIN.....C-3	CRANKCASE.....B-5	FRAME.....F-2	FUEL COCK.....F-8	OIL PAN.....B-8	REAR WHEEL.....I-8	STEERING DAMPER..G-6	GSX-R1100K : JS1GV73A K2100001~
CAM SHAFT.....C-2	CRANKCASE COVER...S-7	FRAME COVER.....F-11	FUEL TANK.....F-6	OIL PUMP.....B-9	SEAT.....F-9	STEERING STEM...G-4	GSX-R1100L : JS1GV73A L2100001~
CARBURETOR.....C-4	CRANKSHAFT.....B-10	FRONT BRAKE HOSE...H-6	GEAR SHIFT.....D-5	OPTIONAL.....J-10	SEAT TAIL COVER..F-10	TAIL LAMP.....E-11	
CARBURETOR FITT..C-6	CYLINDER.....B-4	FRONT CALIPERS.....H-5	HANDLE SWI.....H-4	REAR CALIPER.....I-10	SIGNAL GENERATOR..E-5	TRANSMISSION....D-3	
CLUTCH.....D-2	CYLINDER HEAD.....B-3	FRONT DAMPER.....G-2	HANDLEBAR.....H-2	REAR CUSHION LEVER..I-4	SPEEDOMETER.....E-8	TURN SIGNAL LAMP..E-10	

<p>CLUTCH</p> 	<p>D-2 TRANSMISSION</p> 	<p>D-3 GEAR SHIFTING</p> 			

AIR CLEANER.....C-7	CLUTCH HOSE.....H-10	CYLINDER HEAD COVER..B-2	FRONT FENDER.....G-7	HEADLAMP.....E-9	REAR FENDER.....I-5	STAND.....F-3	WIRING HARNESS..E-12
ALTERNATOR.....E-3	CLUTCH MASTER CYL..H-9	ELECTRICAL.....E-7	FRONT MASTER CYL..H-8	MUFFLER.....C-8	REAR MASTER CYL..I-11	STARTER CLUTCH..B-11	
BATTERY.....E-6	COWLING.....J-4	FOOTREST.....F-4	FRONT WHEEL.....G-9	OIL COOLER.....C-9	REAR SWING ARM..I-2	STARTING MOTOR..E-2	SERIAL FRAME NUMBER
CAM CHAIN.....C-3	CRANKCASE.....B-5	FRAME.....F-2	FUEL COCK.....F-8	OIL PAN.....B-8	REAR WHEEL.....I-8	STEERING DAMPER..G-6	GSX-R1100K : JS1GV73A K2100001~
CAM SHAFT.....C-2	CRANKCASE COVER..B-7	FRAME COVER.....F-11	FUEL TANK.....F-6	OIL PUMP.....B-9	SEAT.....F-9	STEERING STEM..G-4	GSX-R1100L : JS1GV73A L2100001~
CARBURETOR.....C-4	CRANKSHAFT.....B-10	FRONT BRAKE HOSE..H-6	GEAR SHIFT.....D-5	OPTIONAL.....J-10	SEAT TAIL COVER..F-10	TAIL LAMP.....E-11	
CARBURETOR FITT..C-6	CYLINDER.....B-4	FRONT CALIPERS.....H-5	HANDLE SWI.....H-4	REAR CALIPER.....I-10	SIGNAL GENERATOR..E-5	TRANSMISSION....D-3	
CLUTCH.....D-2	CYLINDER HEAD....B-3	FRONT DAMPER.....G-2	HANDLEBAR.....H-2	REAR CUSHION LEVER..I-4	SPEEDOMETER.....E-8	TURNSIGNAL LAMP..E-10	

FIG. 16

D - 2



19

FIG.16 (D- 2) CLUTCH

REF.NO.	PART NO.	DESCRIPTION	Q'TY	REMARKS
1-1	21200-40811	GEAR, primary driven (NT:72)	1	model K
1-2	21200-40812	GEAR, primary driven (NT:72)	1	model L
2	09160-25067	WASHER	1	
3	09263-35017	BEARING	1	
4	21410-40C01	HUB, sleeve	1	
5	09140-24014	NUT	1	
6	09164-24006	WASHER	1	
7	09160-25056	WASHER (25x50x2.5)	1	
8	21400-40C00	PLATE ASSY, clutch	1	
9	21441-48B00	.PLATE, drive No.1 (T:2.6)	10	
10	21451-48B00	.PLATE, driven (T:2)	10	
11	09164-00007	WAVE WASHER	1	
12	21471-40C01	SEAT, wave washer	1	
13	21462-40C02	DISC, pressure	1	
14	21463-40C01	LIFTER, clutch pressure disk	1	
15	21611-40C01	HOLDER, clutch spring	1	
16	09164-47001	SPRING	2	
17	21623-40C00	SEAT, clutch spring	1	
18	09381-84002	CIRCLIP	1	
19	22721-06B02	GEAR, alternator drive (NT:37/66)	1	
20	23121-07A00	PIECE, push	1	
21	09263-15003	BEARING	1	
22	09160-15015	WASHER (15x28x1)	1	
23	23110-27A00	ROD, push RH	1	
24-1	23111-44111	ROD, push LH (L:100)	1	-E.No.104504
24-2	23111-05A01	ROD, push LH (L:101.5)	1	E.No.104505~
25	09285-06015	OIL SEAL	1	
26	23160-06B01	CYLINDER, clutch release	1	+23160-06B00
27	23163-06B00	.CUP	1	
28	23164-05A00	.SPRING	1	
29	59121-01A00	.BLEEDER	1	
30	59122-01A00	.CAP, bleeder	1	
31	04211-09129	PIN	2	
32	07110-06255	BOLT	2	
33	23117-27A03	COVER, cylinder	1	+23117-27A02
34	02112-06106	SCREW	2	

GSX-R110CL E28

GSX-R1100L E28

AIR CLEANER.....C-7	CLUTCH HOSE.....H-10	CYLINDER HEAD COVER..B-2	FRONT FENDER.....G-7	HEADLAMP.....E-9	REAR FENDER.....I-6	STAND.....F-3	WIRING HARNESS..E-12
ALTERNATOR.....E-3	CLUTCH MASTER CYL..H-9	ELECTRICAL.....E-7	FRONT MASTER CYL..H-8	MUFFLER.....C-8	REAR MASTER CYL..I-11	STARTER CLUTCH..B-11	
BATTERY.....E-6	COWLING.....J-4	FOOTREST.....F-4	FRONT WHEEL.....G-9	OIL COOLER.....C-9	REAR SWING ARM...I-2	STARTING MOTOR..E-2	SERIAL FRAME NUMBER
CAM CHAIN.....C-3	CRANKCASE.....B-5	FRAME.....F-2	FUEL COCK.....F-8	OIL PAN.....B-8	REAR WHEEL.....I-8	STEERING DAMPER..G-6	GSX-R1100K : JSIGV73A K2100001~
CAM SHAFT.....C-2	CRANKCASE COVER..B-7	FRAME COVER.....F-11	FUEL TANK.....F-6	OIL PUMP.....B-9	SEAT.....F-9	STEERING STEM...G-4	GSX-R1100L : JSIGV73A L2100001~
CARBURETOR.....C-4	CRANKSHAFT.....B-10	FRONT BRAKE HOSE...H-6	GEAR SHIFT.....D-5	OPTIONAL.....J-10	SEAT TAIL COVER..F-10	TAIL LAMP.....E-11	
CARBURETOR FITT..C-6	CYLINDER.....B-4	FRONT CALIPERS.....H-5	HANDLE SWI.....H-4	REAR CALIPER.....I-10	SIGNAL GENERATOR..E-5	TRANSMISSION....D-3	
CLUTCH.....D-2	CYLINDER HEAD.....B-3	FRONT DAMPER.....G-2	HANDLEBAR.....H-2	REAR CUSHION LEVER..I-4	SPEEDOMETER.....E-8	TURN SIGNAL LAMP..E-10	

FIG. 17

D - 3

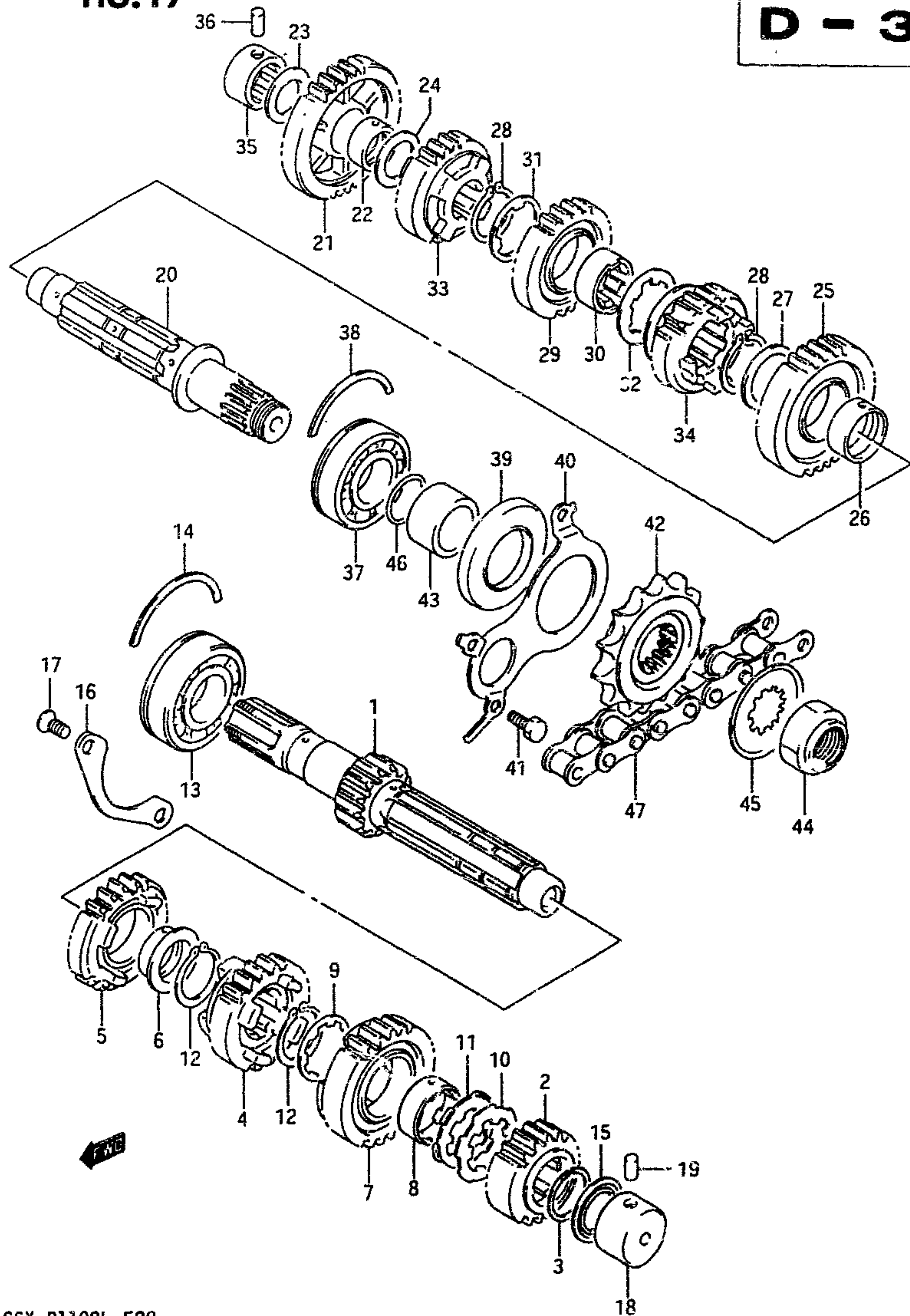


FIG. 17 (D- 3) TRANSMISSION

REF.NO.	PART NO.	DESCRIPTION	Q'TY	REMARKS
1	24121-40C02	COUNTERSHAFT (NT:13)	1	
2	24221-40C00	GEAR, 2nd drive (NT:19)	1	
3	09380-25013	CIRCLIP	1	
4	24231-48B01	GEAR, 3th drive (NT:20)	1	
5	24241-48B00	GEAR, 4th drive (NT:22)	1	
6	09301-25001	BUSH	1	
7	24251-48B02	GEAR, 5th drive (NT:23)	1	
8	24252-48B00	BUSH	1	
9	09167-25021	WASHER	1	
10	09167-25013	WASHER, lock	1	
11	09169-25001	WASHER, lock	1	
12	09380-25003	CIRCLIP	2	
13	09262-25051	BEARING, RH	1	
14	09390-62006	C RING	1	
15	09285-20006	OIL SEAL	1	
16	24741-27A00	HOLDER, bearing	1	
17	02122-06167	SCREW	2	
18	09263-20049	BEARING, LH	1	
19	04221-07129	PIN	1	
20-1	24131-48B00	DRIVESHAFT	1	model K
20-2	24131-40C10	DRIVESHAFT	1	model L
21	24311-48B00	GEAR, 1st driven (NT:31)	1	
22	09300-22005	BUSH	1	
23	08211-20341	WASHER, RH	1	
24	08211-22341	WASHER, LH	1	
25	24321-48B00	GEAR, 2nd driven (NT:31)	1	
26	09300-28002	BUSH	1	
27	06211-28361	WASHER	1	
28	08331-11289	CIRCLIP	2	

GSX-R1100L E28

GSX-R1100L E28

AIR CLEANER.....C-7	CLUTCH HOSE.....H-10	CYLINDER HEAD COVER..B-2	FRONT FENDER.....G-7	HEADLAMP.....E-9	REAR FENDER.....I-6	STAND.....F-3	WIRING HARNESS..E-12
ALTERNATOR.....E-3	CLUTCH MASTER CYL..H-9	ELECTRICAL.....E-7	FRONT MASTER CYL..H-8	MUFFLER.....C-8	REAR MASTER CYL..I-11	STARTER CLUTCH..B-11	
BATTERY.....E-6	COWLING.....J-4	FOOTREST.....F-4	FRONT WHEEL.....G-9	OIL COOLER.....C-9	REAR SWING ARM..I-2	STARTING MOTOR..E-2	SERIAL FRAME NUMBER
CAM CHAIN.....C-3	CRANKCASE.....B-5	FRAME.....F-2	FUEL COCK.....F-8	OIL PAN.....B-8	REAR WHEEL.....I-8	STEERING DAMPER..G-6	GSX-R1100K : JSIGV73A K2100001~
CAM SHAFT.....C-2	CRANKCASE COVER..B-7	FRAME COVER.....F-11	FUEL TANK.....F-6	OIL PUMP.....B-9	SEAT.....F-9	STEERING STEM...G-4	GSX-R1100L : JSIGV73A L2100001~
CARBURETOR.....C-4	CRANKSHAFT.....B-10	FRONT BRAKE HOSE..H-6	GEAR SHIFT.....D-5	OPTIONAL.....J-10	SEAT TAIL COVER..F-10	TAIL LAMP.....E-11	
CARBURETOR FITT..C-6	CYLINDER.....B-4	FRONT CALIPERS...H-5	HANDLE SWI.....H-4	REAR CALIPER.....I-10	SIGNAL GENERATOR..E-5	TRANSMISSION....D-3	
CLUTCH.....D-2	CYLINDER HEAD....B-3	FRONT DAMPER.....G-2	HANDLEBAR.....H-2	REAR CUSHION LEVER..I-4	SPEEDOMETER.....E-8	TURN SIGNAL LAMP..E-10	

FIG. 17

D - 4

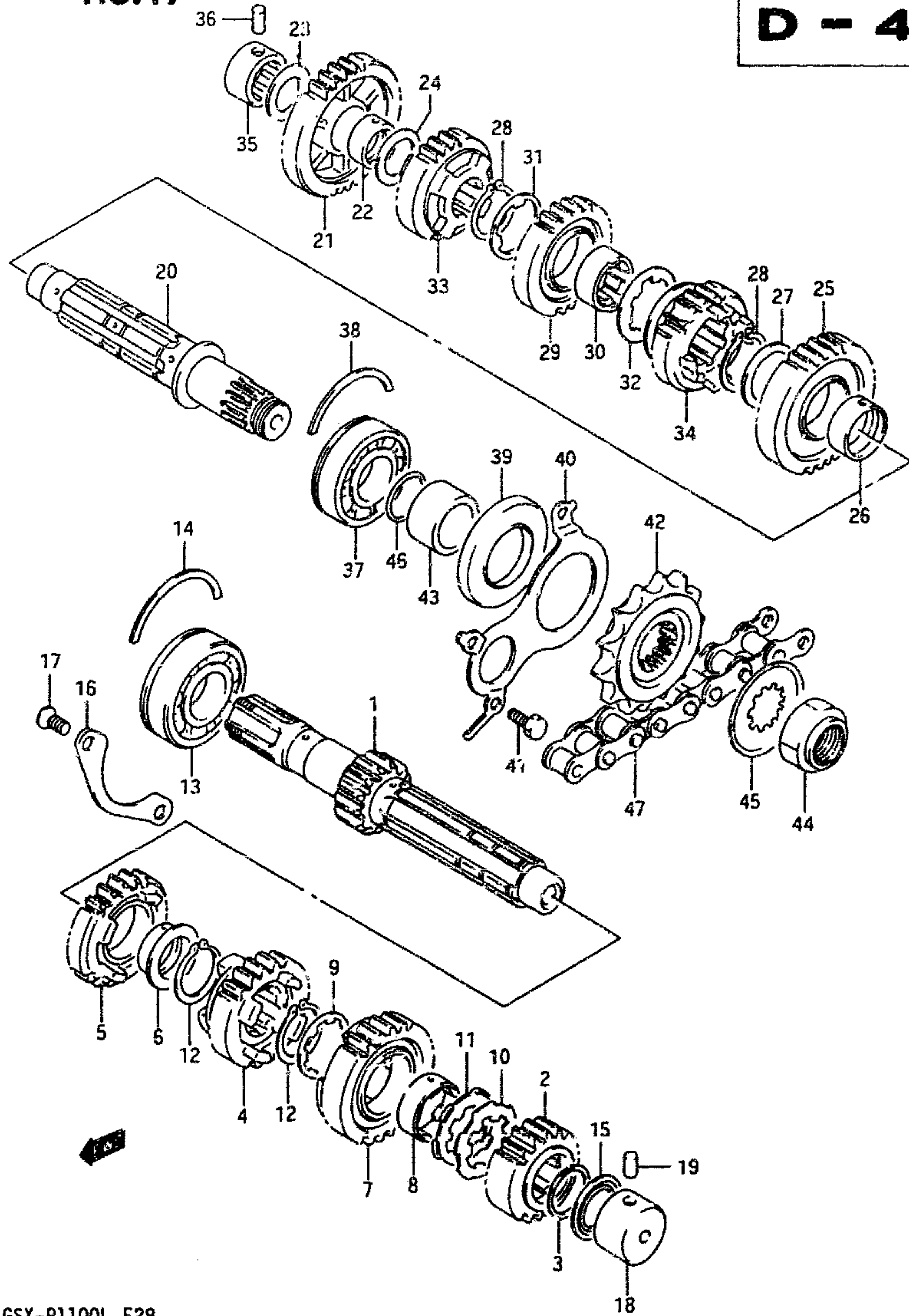


FIG. 17 (D- 4) TRANSMISSION

REF. NO.	PART NO.	DESCRIPTION	Q'TY	REMARKS
29-1	24331-48802	GEAR, 3rd driven (NT:25)	1	model K
29-2	24331-48803	GEAR, 3rd driven (NT:25)	1	model L
30	24332-48800	BUSH	1	
31	09167-28001	WASHER, RH	1	
32	09167-28008	WASHER, LH (T:2)	1	
33	24341-06801	GEAR, 4th driven (NT:23)	1	
34	24351-48801	GEAR, 5th driven (NT:21)	1	
35	09263-20640	BEARING, RH	1	
36	04221-07209	PIN (L:20)	1	
37	09262-25103	BEARING, LH	1	
38	09390-62006	C RING	1	
39	09283-34005	OIL SEAL (34x62x6)	1	
40	24751-27A01	PLATE	1	
41	01107-06107	SCREW	4	
42	27510-48800	SPROCKET, engine (NT:15)	1	
43-1	09180-25093	SPACER (25x34x19.7)	1	model K
43-2	09180-25094	SPACER (25x34x22.7)	1	model L
44	09159-20004	NUT	1	
45	09167-25019	WASHER, lock	1	
46	O RING (O:1, ID:24.5)	1		
47-1	27600-40C20-114	CHAIN, drive (RK532GSV2x114LE)	1	model K
47-2	27600-40C20-118	CHAIN, drive (RK532GSV2x114LE)	1	model L

GSX-R1100L E28

GSX-R1100L E28

AIR CLEANER.....C-7	CLUTCH HOSE.....H-10	CYLINDER HEAD COVER..B-2	FRONT FENDER.....G-7	HEADLAMP.....E-9	REAR FENDER.....i-6	STAND.....F-3	WIRING HARNESS..E-12
ALTERNATOR.....E-3	CLUTCH MASTER CYL..H-9	ELECTRICAL.....E-7	FRONT MASTER CYL..H-8	MUFFLER.....C-8	REAR MASTER CYL..i-11	STARTER CLUTCH..B-11	
BATTERY.....E-6	COWLING.....J-4	FOOTREST.....F-4	FRONT WHEEL.....G-9	OIL COOLER.....C-9	REAR SWING ARM...i-2	STARTING MOTOR..E-2	SERIAL FRAME NUMBER
CAM CHAIN.....C-3	CRANKCASE.....B-5	FRAME.....F-2	FUEL COCK.....F-8	OIL PAN.....B-8	REAR WHEEL.....i-8	STEERING DAMPER..G-6	GSX-R1100K : JS1GV73A K2100001~
CAM SHAFT.....C-2	CRANKCASE COVER..B-7	FRAME COVER.....F-11	FUEL TANK.....F-6	OIL PUMP.....B-9	SEAT.....F-9	STEERING STEM...G-4	GSX-R1100L : JS1GV73A L2100001~
CARBURETOR.....C-4	CRANKSHAFT.....B-10	FRONT BRAKE HOSE...H-6	GEAR SHIFT.....D-5	OPTIONAL.....J-10	SEAT TAIL COVER..F-10	TAIL LAMP.....E-11	
CARBURETOR FITT..C-6	CYLINDER.....B-4	FRONT CALIPERS.....H-5	HANDLE SWI.....H-4	REAR CALIPER.....i-10	SIGNAL GENERATOR..E-5	TRANSMISSION....D-3	
CLUTCH.....D-2	CYLINDER HEAD....B-3	FRONT DAMPER.....G-2	HANDLEBAR.....H-2	REAR CUSHION LEVER..i-4	SPEEDOMETER.....E-8	TURN SIGNAL LAMP..E-10	

FIG. 18

D-5

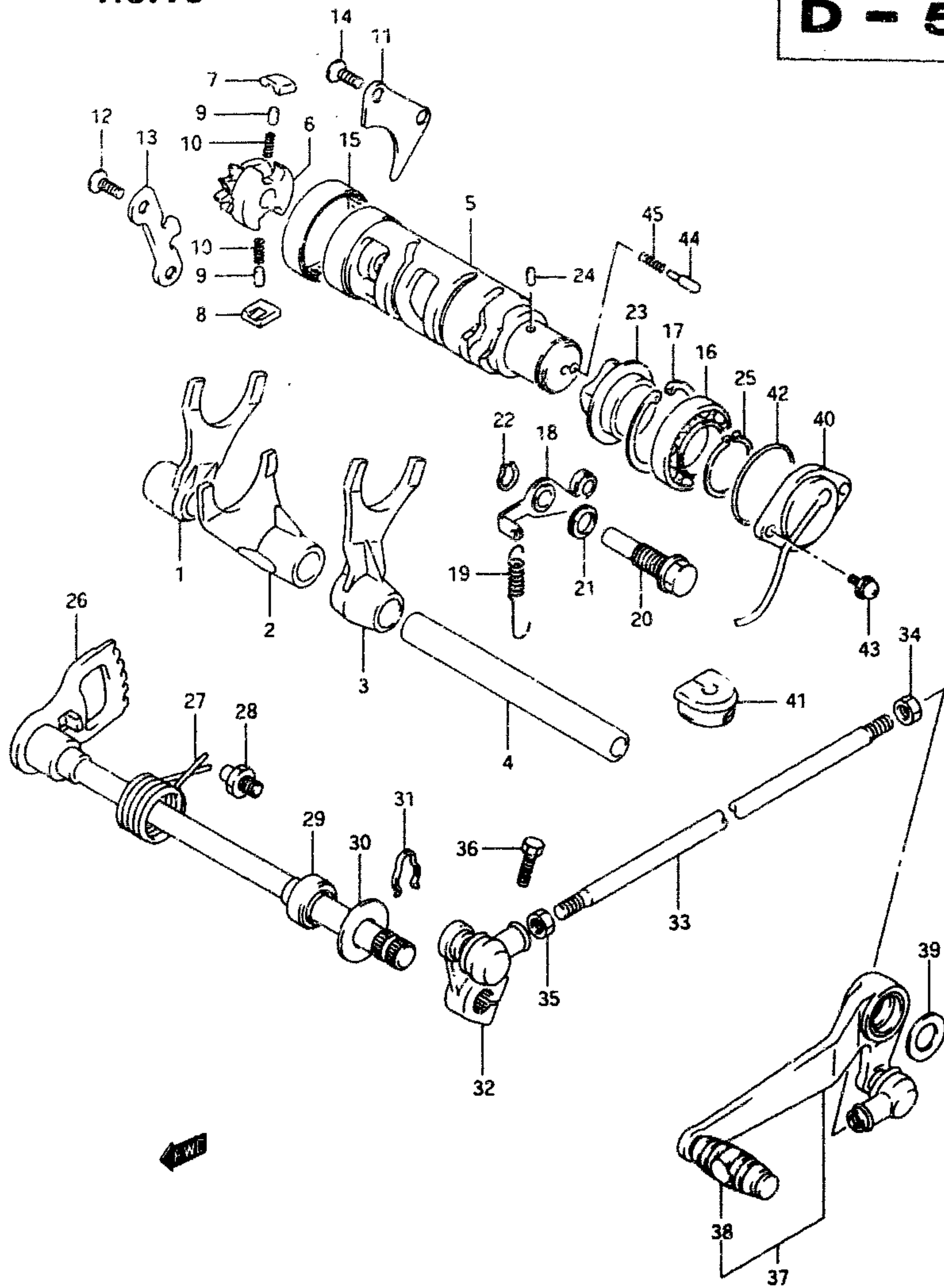


FIG.18 (D- 5) GEAR SHIFTING

REF.NO.	PART NO.	DESCRIPTION	Q'TY	REMARKS
1	25211-06801	FORK, gear shifting No.1	1	
2	25221-06800	FORK, gear shifting No.2	1	
3	25231-06800	FORK, gear shifting No.3	1	
4	25411-27A00	SHAFT, gear shifting fork	1	
5	25310-06802	CAM, gear shifting	1	
6	25322-31301	GEAR, cam driven	1	
7	25323-34201	PAWL, No.1	1	
8	25324-34201	PAWL, No.2	1	
9	09261-05003	PIN	2	
10	09440-04003	SPRING	2	
11	25331-31301	LIFTER, pawl	1	
12	02122-06128	SCREW	2	
13	25341-27A00	GUIDE, cam	1	
14	02122-06128	SCREW	2	
15	09263-43001	BEARING, RH	1	
16	08110-69050	BEARING, LH	1	
17	08331-41428	CIRCLIP	1	
18	25350-27A00	STOPPER, cam	1	
19	09443-09031	SPRING	1	
20	25353-27A00	SHAFT, stopper	1	
21	09168-10002	WASHER	1	
22	08331-31086	CIRCLIP	1	
23	25381-38400	PLATE, stopper	1	
24	06211-04063	PIN	1	
25	08331-31258	CIRCLIP	1	
26	25510-19C00	SHAFT, gear shifting	1	
27	09444-26017	SPRING	1	
28	25671-01000	STOPPER, arm	1	
29	09285-12002	OIL SEAL (12x22x9)	1	
30	09160-12020	WASHER (12.5x27x1.6)	1	
31	09384-12001	CIRCLIP	1	

GSX-R1100L E28

GSX-R1100L E28

AIR CLEANER.....C-7	CLUTCH HOSE.....H-10	CYLINDER HEAD COVER..B-2	FRONT FENDER.....G-7	HEADLAMP.....E-9	REAR FENDER.....I-6	STAND.....F-3	WIRING HARNESS..E-12
ALTERNATOR.....E-3	CLUTCH MASTER CYL..H-9	ELECTRICAL.....E-7	FRONT MASTER CYL..H-8	MUFFLER.....C-8	REAR MASTER CYL..I-11	STARTER CLUTCH..B-11	
BATTERY.....E-6	COWLING.....J-4	FOOTREST.....F-4	FRONT WHEEL.....G-9	OIL COOLER.....C-9	REAR SWING ARM...I-2	STARTING MOTOR..E-2	SERIAL FRAME NUMBER
CAM CHAIN.....C-3	CRANKCASE.....B-5	FRAME.....F-2	FUEL COCK.....F-8	OIL PAN.....B-8	REAR WHEEL.....I-8	STEERING DAMPER..G-6	GSX-R1100K : JS1GV73A K2100001~
CAM SHAFT.....C-2	CRANKCASE COVER..B-7	FRAME COVER.....F-11	FUEL TANK.....F-6	OIL PUMP.....B-9	SEAT.....F-9	STEERING STEM...G-4	GSX-R1100L : JS1GV73A L2100001~
CARBURETOR.....C-4	CRANKSHAFT.....B-10	FRONT BRAKE HOSE...H-6	GEAR SHIFT.....D-5	OPTIONAL.....J-10	SEAT TAIL COVER..F-10	TAIL LAMP.....E-11	
CARBURETOR FITT..C-6	CYLINDER.....B-4	FRONT CALIPERS.....H-5	HANDLE SWI.....H-4	REAR CALIPER.....I-10	SIGNAL GENERATOR..E-5	TRANSMISSION....D-3	
CLUTCH.....D-2	CYLINDER HEAD.....B-3	FRONT DAMPER.....G-2	HANDLEBAR.....H-2	REAR CUSHION LEVER..I-4	SPEEDOMETER.....E-8	TURN SIGNAL LAMP..E-10	

FIG. 18

D - 6

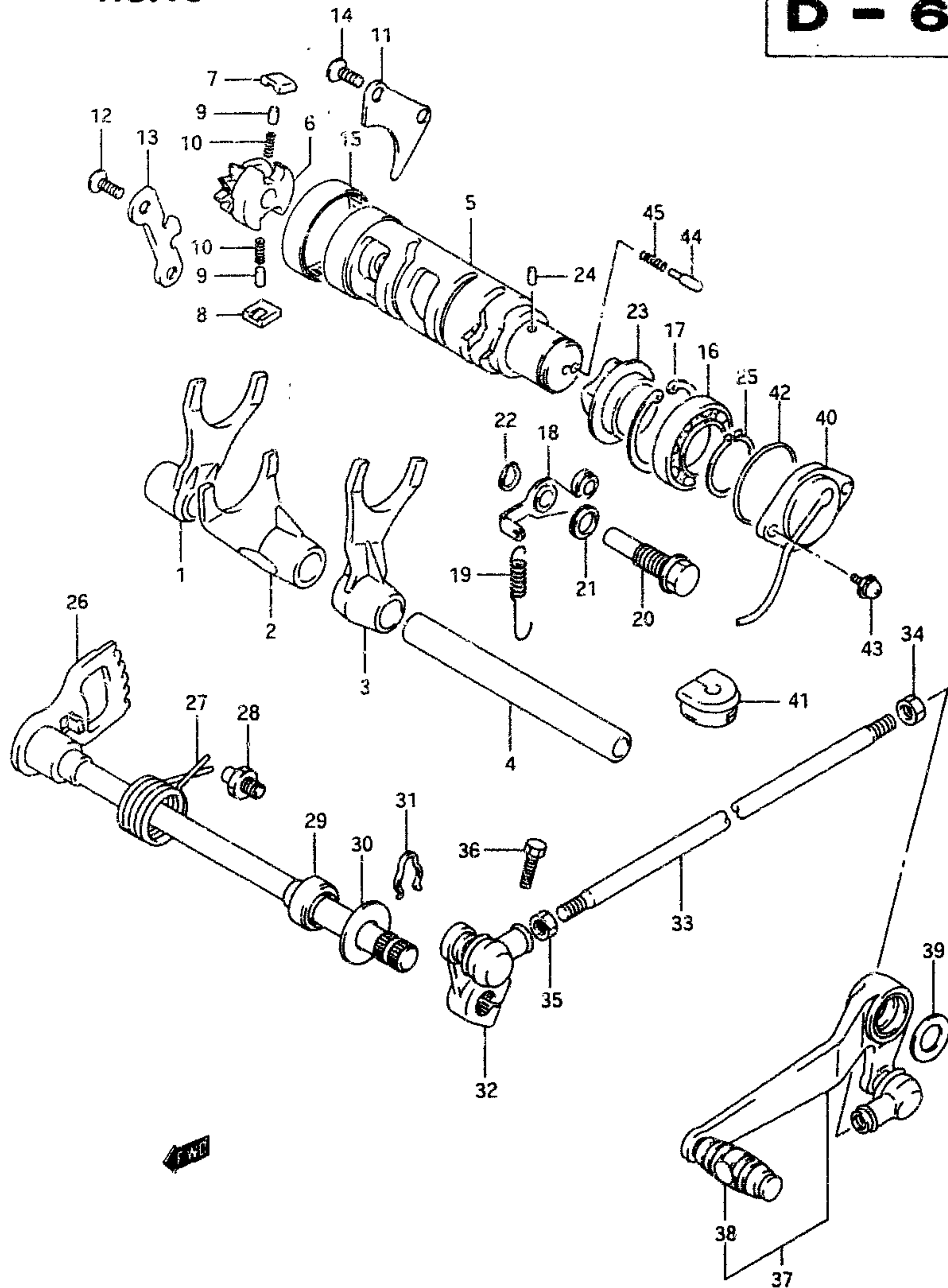


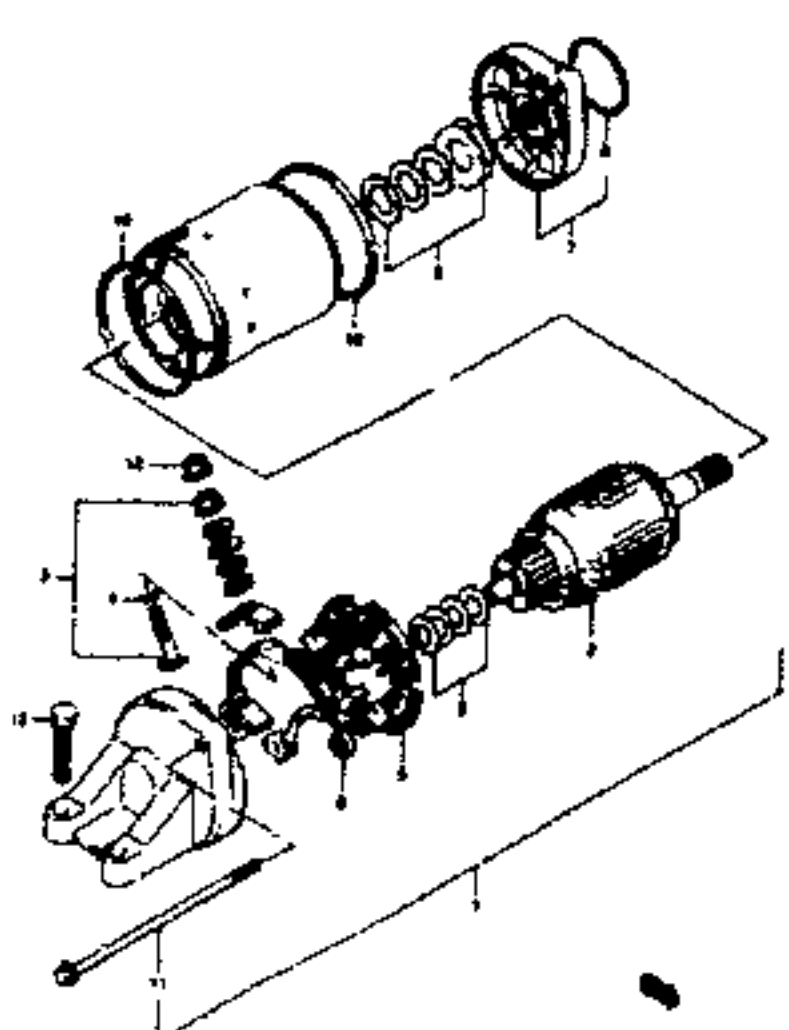
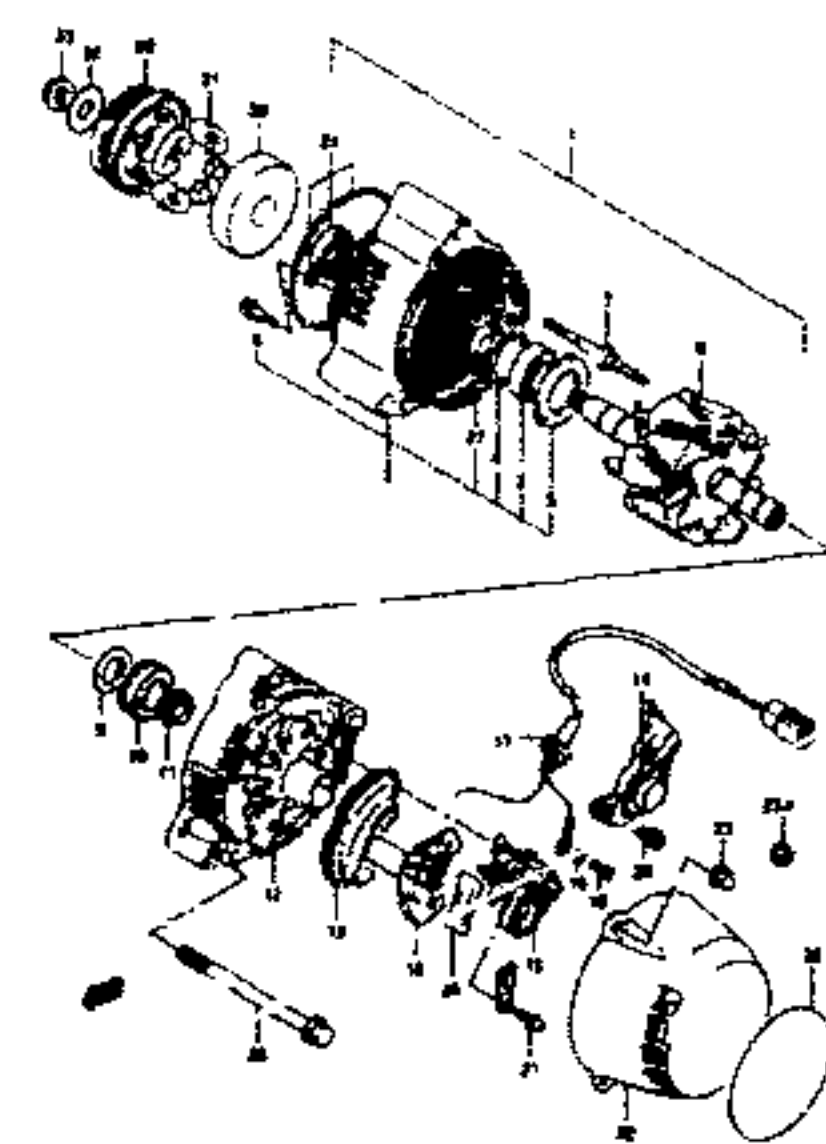
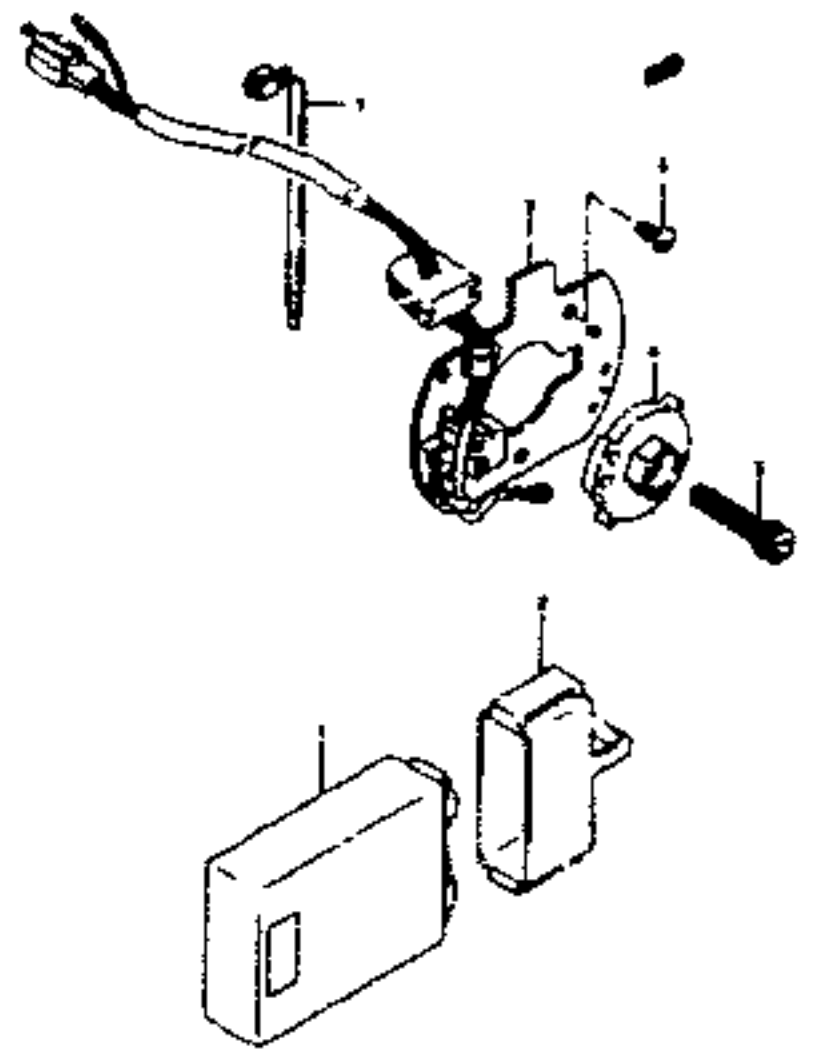
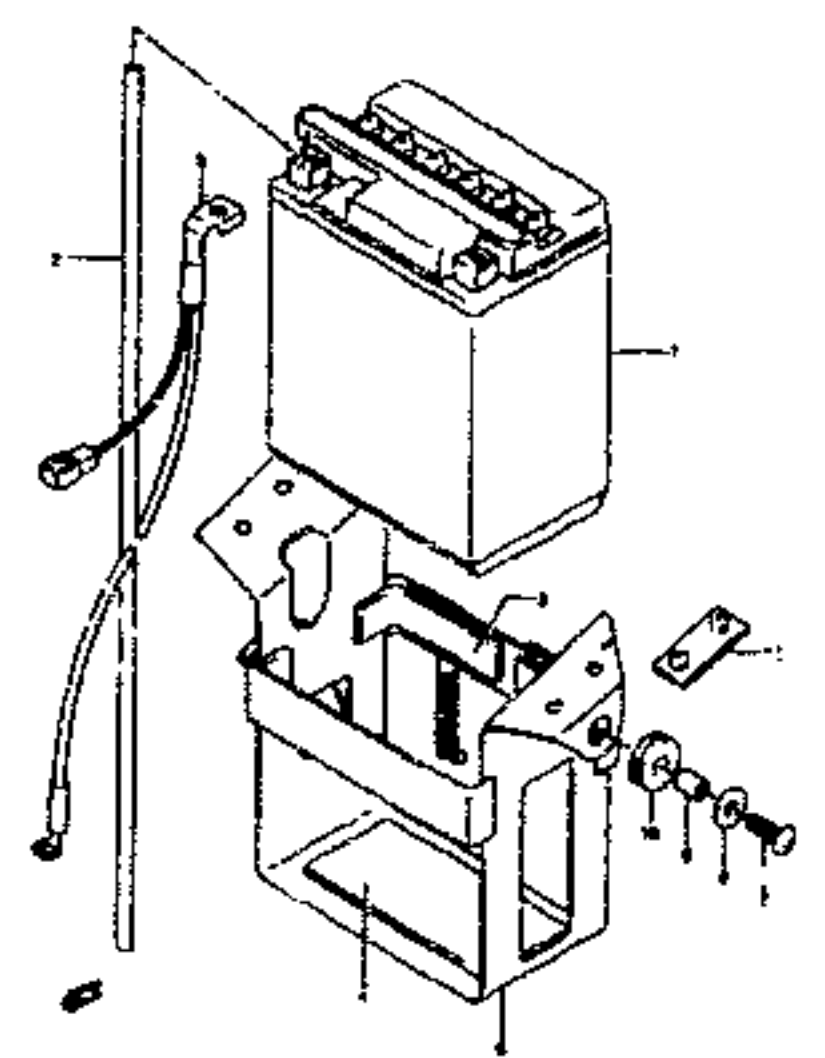
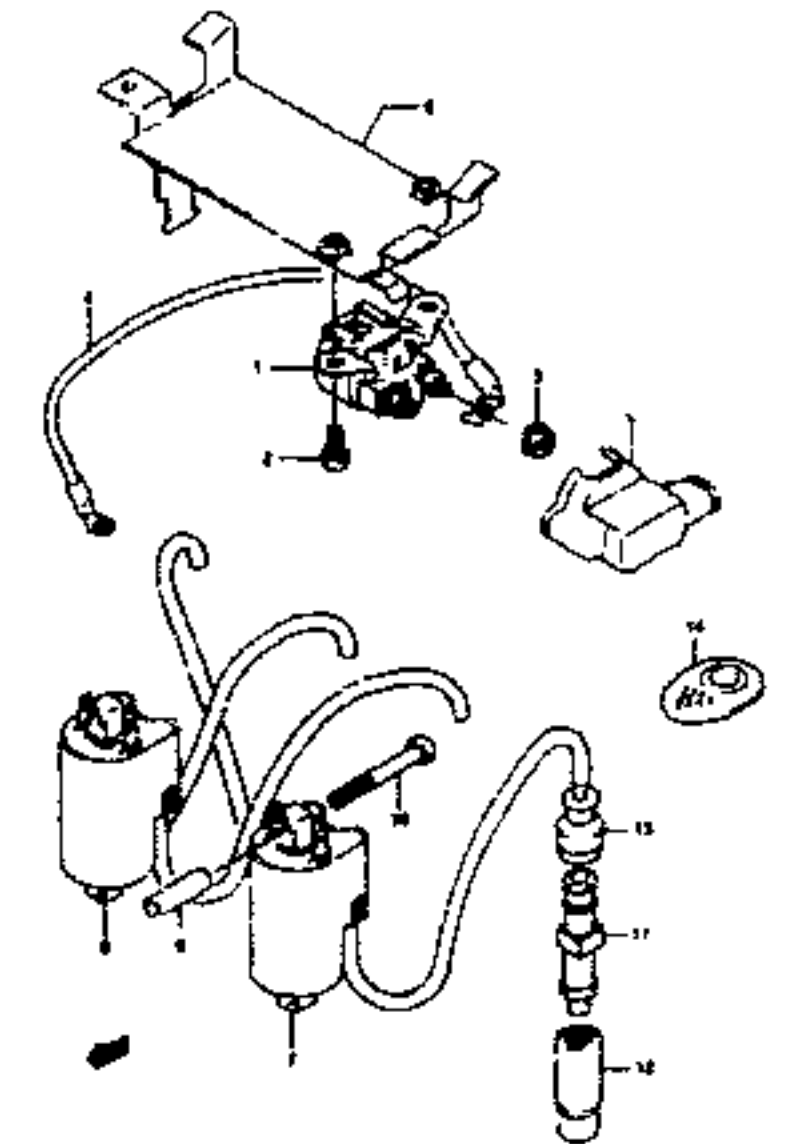
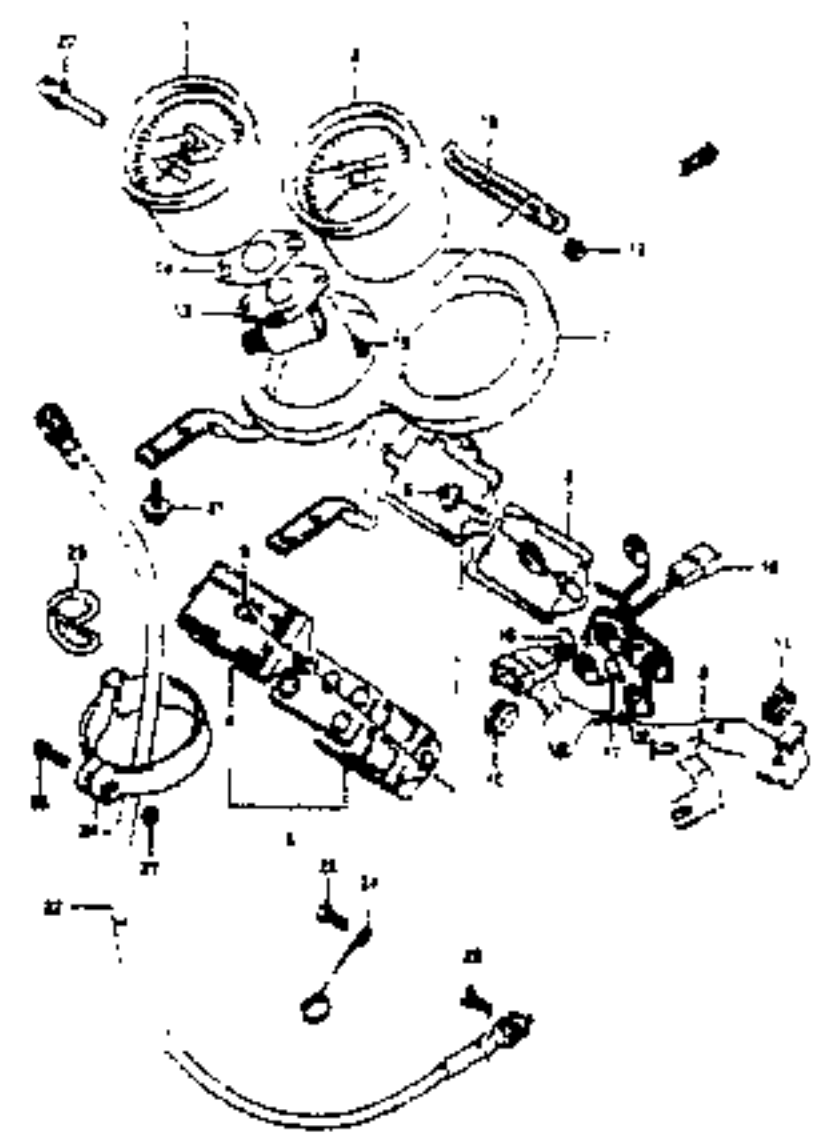
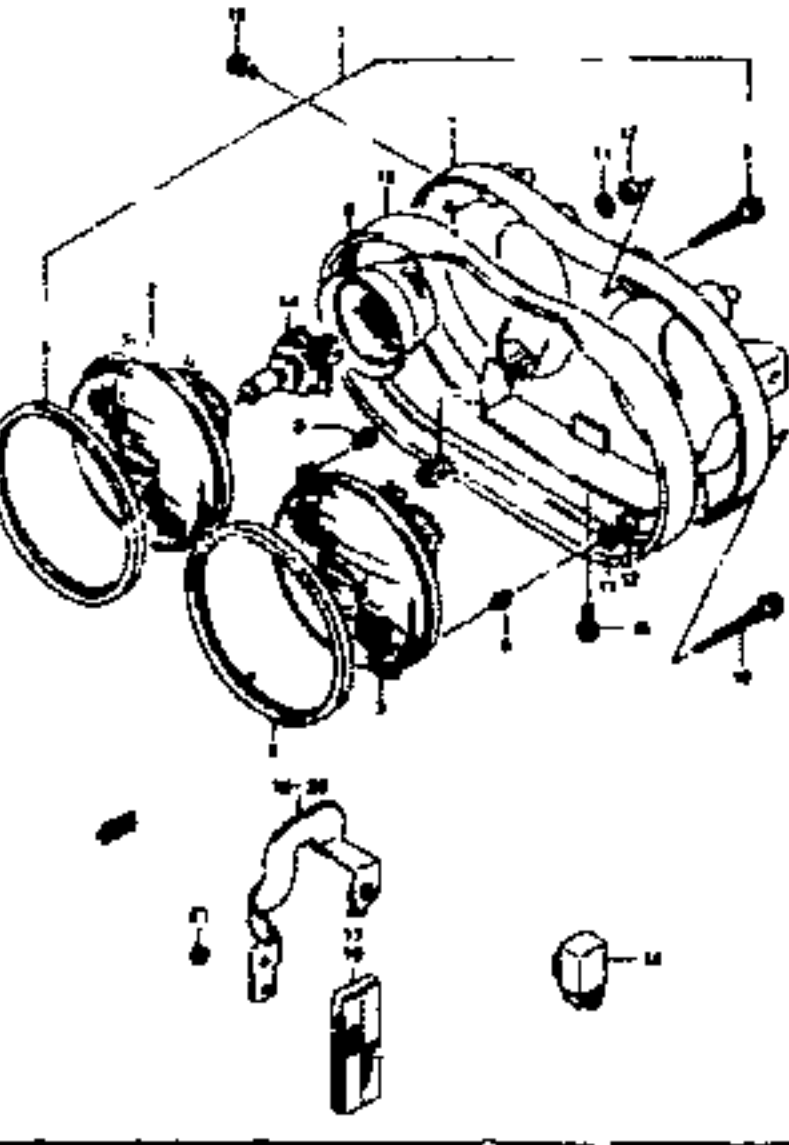
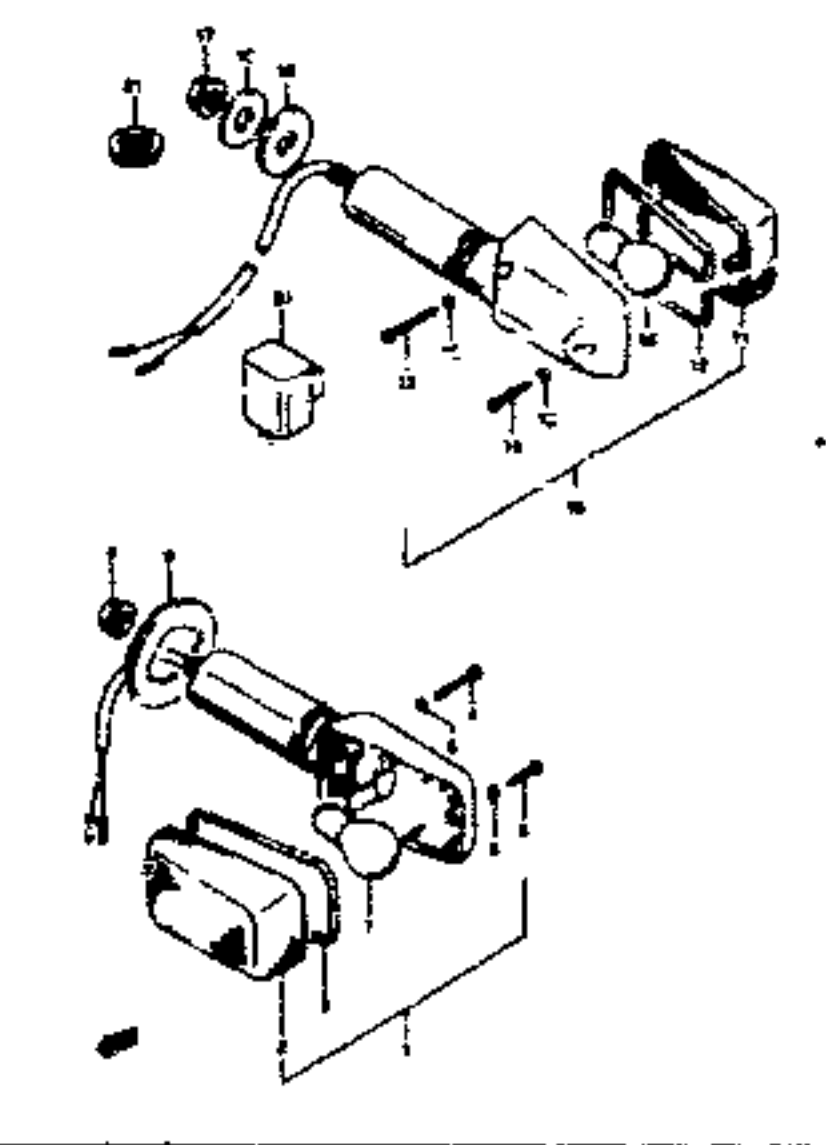
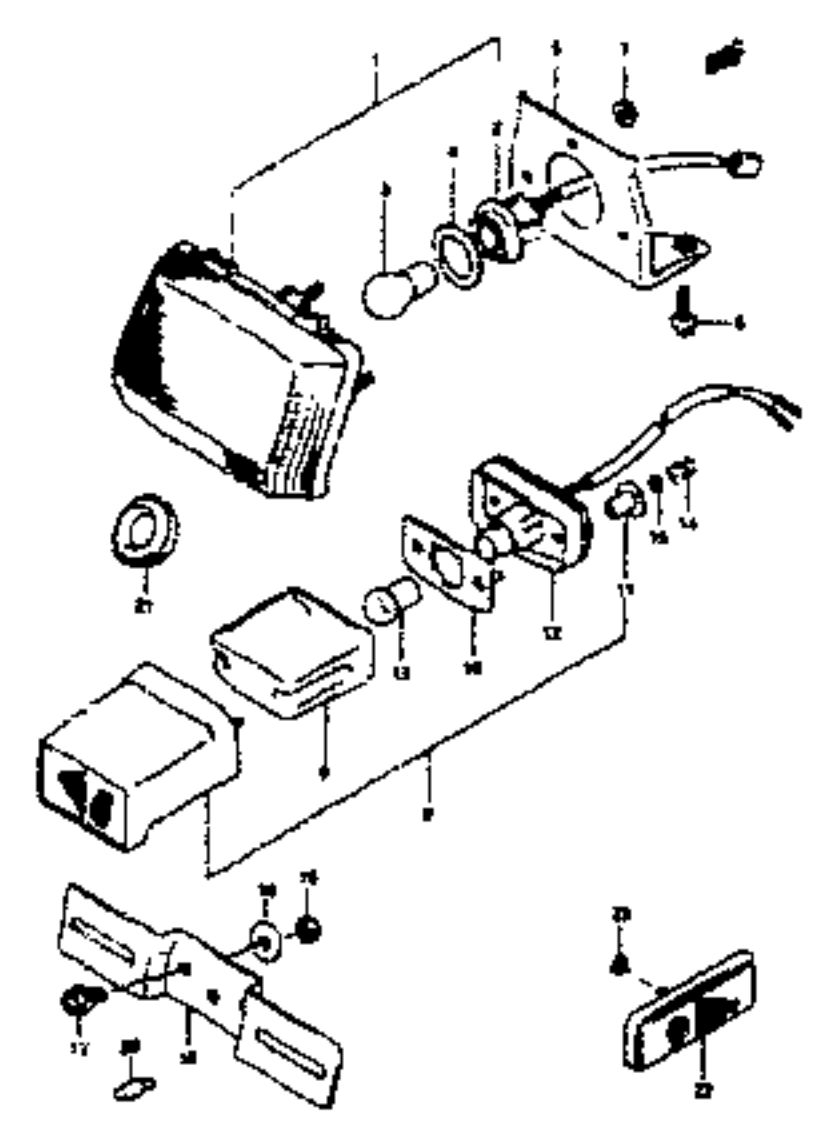
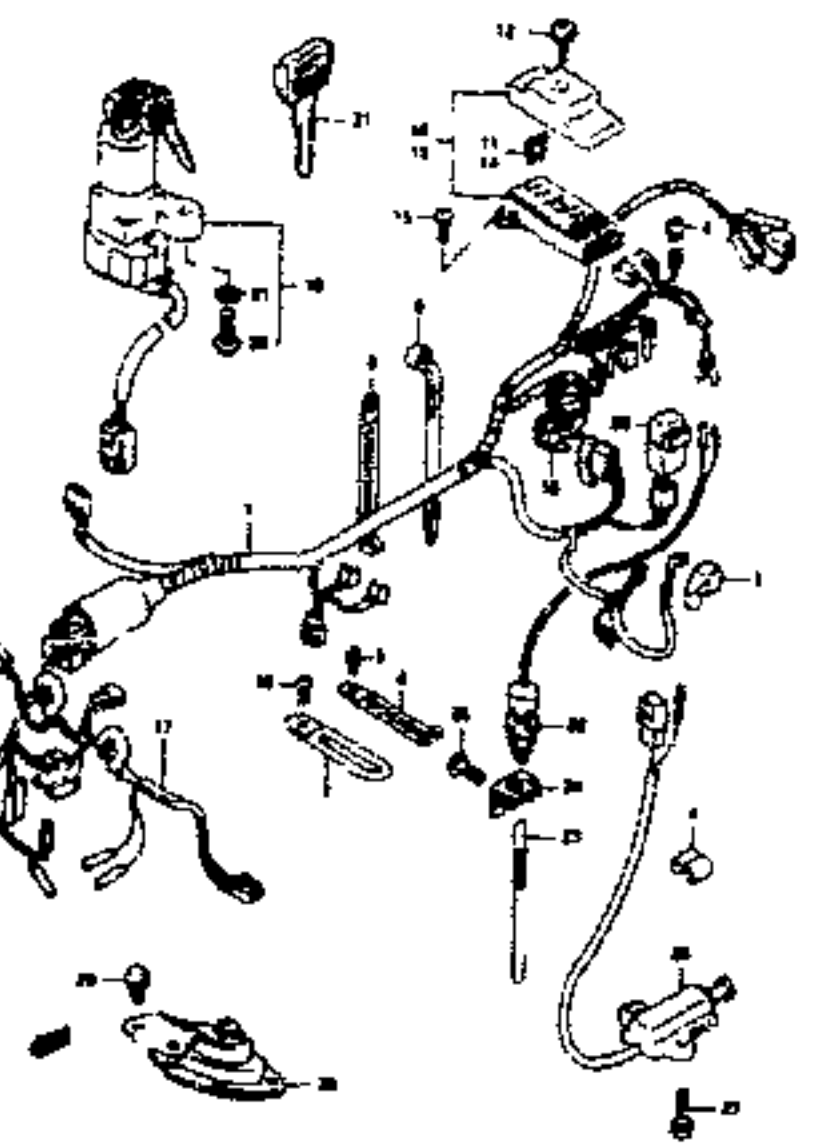
FIG.18 (D- 6) GEAR SHIFTING

REF.NO.	PART NO.	DESCRIPTION	Q'TY	REMARKS
32-1	25520-19C00	ARM, gear shift link	1	model K
32-2	25520-19C01	ARM, gear shift link	1	model L
33	25525-17C02	ROD, gear shift link (L:309)	1	
34	09140-06D11	NUT	1	
35	08310-11067	NUT	1	
36	01107-06257	BOLT	1	
37	25600-17C02	LEVER ASSY, gear shifting	1	+25600-17C01
38	25652-16500	.COVER	1	
39	09160-18022	WASHER (18x24x1)	1	
40	37720-48800	BODY, gear shifting switch	1	
41	33895-27A01	CROMMET, lead wire	1	
42	09280-36001	O RING (D:2.4, ID:36.2)	1	
43	09138-05003	SCREW	2	
44	09209-05011	CONTACT	1	
45	09440-04010	SPRING	1	

GSX-R1100L E28

GSX-R1100L E28

AIR CLEANER.....C-7	CLUTCH HOSE.....H-10	CYLINDER HEAD COVER..B-2	FRONT FENDER.....G-7	HEADLAMP.....E-9	REAR FENDER.....i-6	STAND.....F-3	WIRING HARNESS..E-12
ALTERNATOR.....E-3	CLUTCH MASTER CYL..H-9	ELECTRICAL.....E-7	FRONT MASTER CYL..H-8	MUFFLER.....C-8	REAR MASTER CYL..i-11	STARTER CLUTCH..B-11	
BATTERY.....E-6	COILING.....J-4	FOOTREST.....F-4	FRONT WHEEL.....G-9	OIL COOLER.....C-9	REAR SWING ARM...i-2	STARTING MOTOR..E-2	SERIAL FRAME NUMBER
CAM CHAIN.....C-3	CRANKCASE.....B-5	FRAME.....F-2	FUEL COCK.....F-8	OIL PAN.....B-8	REAR WHEEL.....i-8	STEERING DAMPER..G-6	GSX-R1100K : JS1GV73A K2100001~
CAM SHAFT.....C-2	CRANKCASE COVER...B-7	FRAME COVER.....F-11	FUEL TANK.....F-6	OIL PUMP.....B-9	SEAT.....F-9	STEERING STEM...G-4	GSX-R1100L : JS1GV73A L2100001~
CARBURETOR.....C-4	CRANKSHAFT.....B-10	FRONT BRAKE HOSE...H-6	GEAR SHIFT.....D-5	OPTIONAL.....J-10	SEAT TAIL COVER..F-10	TAIL LAMP.....E-11	
CARBURETOR FITT..C-6	CYLINDER.....B-4	FRONT CALIPERS.....H-5	HANDLE SWI.....H-4	REAR CALIPER.....i-10	SIGNAL GENERATOR..E-5	TRANSMISSION....D-3	
CLUTCH.....D-2	CYLINDER HEAD.....B-3	FRONT DAMPER.....G-2	HANDLEBAR.....H-2	REAR CUSHION LEVER..i-4	SPEEDOMETER.....E-8	URNSIGNAL LAMP..E-10	

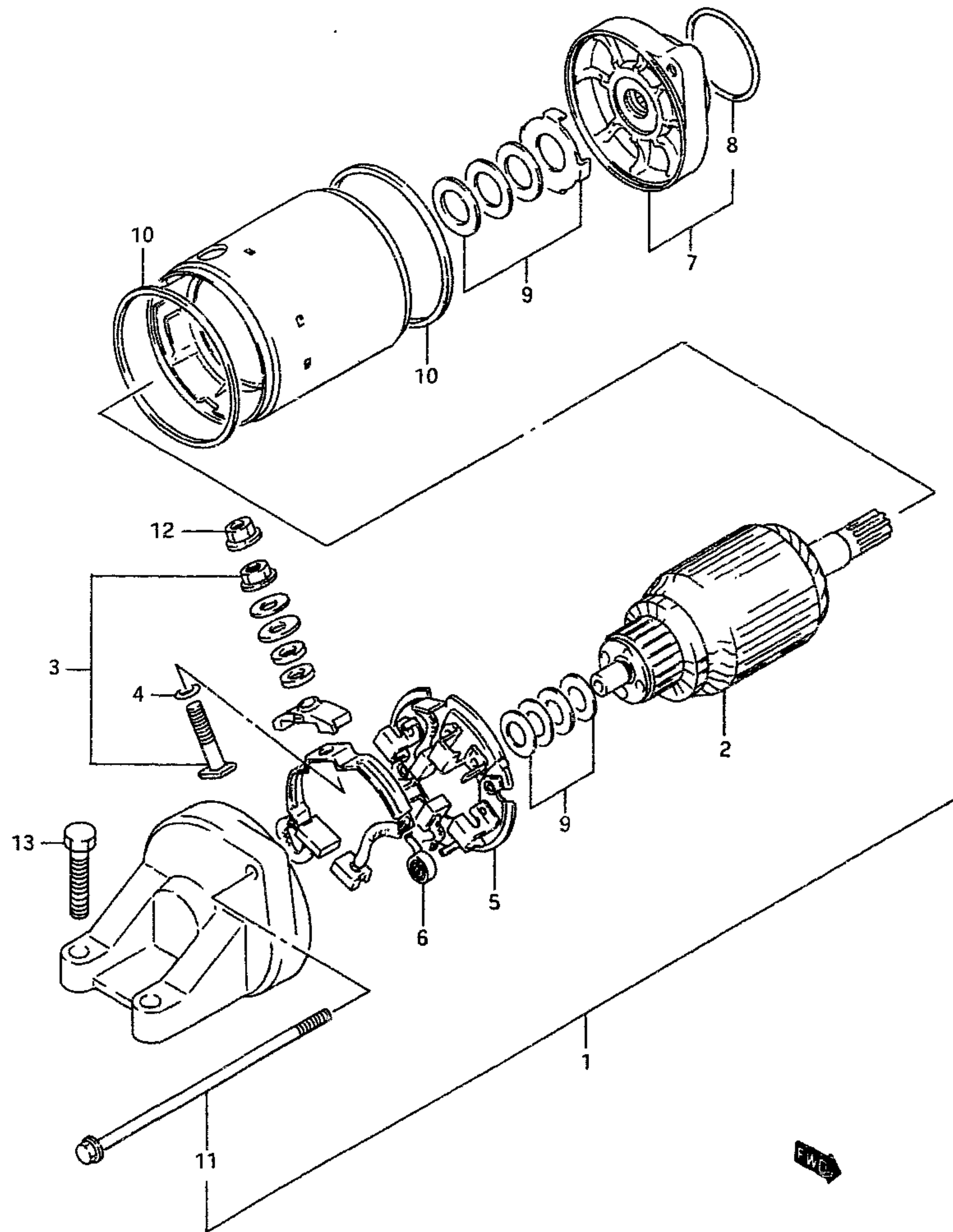
<p>STARTING MOTOR</p> 	<p>E-2 ALTERNATOR</p> 	<p>E-3 SIGNAL GENERATOR</p> 	<p>E-5 BATTERY</p> 	<p>E-6 ELECTRICAL</p> 	<p>E-7 SPEEDOMETER</p> 
<p>HEADLAMP</p> 	<p>E-9 TURN SIGNAL LAMP</p> 	<p>E-10 TAIL LAMP - LICENSE LAMP</p> 	<p>E-11 WIRING HARNESS</p> 		

AIR CLEANER.....C-7	CLUTCH HOSE.....H-10	CYLINDER HEAD COVER.....B-2	FRONT FENDER.....G-7	HEADLAMP.....E-9	REAR FENDER.....I-6	STAND.....F-3	WIRING HARNESS.....E-12
ALTERNATOR.....E-3	CLUTCH MASTER CYL.....H-9	ELECTRICAL.....E-7	FRONT MASTER CYL.....H-8	MUFFLER.....C-8	REAR MASTER CYL.....I-11	STARTER CLUTCH.....B-11	SERIAL FRAME NUMBER
BATTERY.....E-6	COWLING.....J-4	FOOTREST.....F-4	FRONT WHEEL.....G-9	OIL COOLER.....C-9	REAR SWING ARM.....I-2	STARTING MOTOR.....E-2	GSX-R1100K : JSIGV73A K2100001~
CAM CHAIN.....C-3	CRANKCASE.....B-5	FRAME.....F-2	FUEL COCK.....F-8	OIL PAN.....B-8	REAR WHEEL.....I-8	STEERING DAMPER.....G-6	GSX-R1100L : JSIGV73A L2100001~
CAM SHAFT.....C-2	CRANKCASE COVER.....B-7	FRAME COVER.....F-11	FUEL TANK.....F-6	OIL PUMP.....B-9	SEAT.....F-9	STEERING STEM.....G-4	
CARBURETOR.....C-4	CRANKSHAFT.....B-10	FRONT BRAKE HOSE.....H-6	GEAR SHIFT.....D-5	OPTIONAL.....J-10	SEAT TAIL COVER.....F-10	TAIL LAMP.....E-11	
CARBURETOR FITT.....C-6	CYLINDER.....B-4	FRONT CALIPERS.....H-5	HANDLE SWI.....H-4	REAR CALIPER.....I-10	SIGNAL GENERATOR.....E-5	TRANSMISSION.....D-3	
CLUTCH.....D-2	CYLINDER HEAD.....B-3	FRONT DAMPER.....G-2	HANDLEBAR.....H-2	REAR CUSHION LEVER.....I-4	SPEEDOMETER.....E-8	TURN SIGNAL LAMP.....E-10	

FIG. 19

E - 2

FIG. 19 (E- 2) STARTING MOTOR



REF.NO.	PART NO.	DESCRIPTION	Q'TY	REMARKS
1	31100-40C00	MOTOR ASSY, starting (ASB)	1	
2	31310-40C00	.ARMATURE	1	
3	31130-38B00	.TERMINAL SET, brush	1	
4	31143-49D40	.O RING	1	
5	31132-38B00	.HOLDER SET, brush	1	
6	31135-38B00	.SPRING, brush	4	
7	31150-40C00	.BRACKET ASSY, front	1	
8	31156-40C00	.O RING	1	
9	31170-19B10	.WASHER SET	1	
10	31264-31300	.O RING	2	
11	31280-40C00	.BOLT	2	
12	08361-35066	NUT	1	
13	09128-06024	BOLT (L:25)	2	

GSX-R1100L E28

GSX-R1100L E28

AIR CLEANER.....C-7	CLUTCH HOSE.....H-10	CYLINDER HEAD COVER..B-2	FRONT FENDER.....G-7	HEADLAMP.....E-9	REAR FENDER.....i-6	STAND.....F-3	WIRING HARNESS..E-12
ALTERNATOR.....E-3	CLUTCH MASTER CYL..H-9	ELECTRICAL.....E-7	FRONT MASTER CYL..H-8	MUFFLER.....C-8	REAR MASTER CYL..i-11	STARTER CLUTCH..B-11	
BATTERY.....E-6	COWLING.....J-4	FOOTREST.....F-4	FRONT WHEEL.....G-9	OIL COOLER.....C-9	REAR SWING ARM...i-2	STARTING MOTOR..E-2	SERIAL FRAME NUMBER
CAM CHAIN.....C-3	CRANKCASE.....B-5	FRAME.....F-2	FUEL COCK.....F-8	OIL PAN.....B-8	REAR WHEEL.....i-8	STEERING DAMPER..G-6	GSX-R1100K : JS1GV73A K2100001~
CAM SHAFT.....C-2	CRANKCASE COVER...B-7	FRAME COVER.....F-11	FUEL TANK.....F-6	OIL PUMP.....B-9	SEAT.....F-9	STEERING STEM...G-4	GSX-R1100L : JS1GV73A L2100001~
CARBURETOR.....C-4	CRANKSHAFT.....B-10	FRONT BRAKE HOSE...H-6	GEAR SHIFT.....D-5	OPTIONAL.....J-10	SEAT TAIL COVER..F-10	TAIL LAMP.....E-11	
CARBURETOR FITT..C-6	CYLINDER.....B-4	FRONT CALIPERS.....H-5	HANDLE SWI.....H-4	REAR CALIPER.....i-10	SIGNAL GENERATOR..E-5	TRANSMISSION....D-3	
CLUTCH.....D-2	CYLINDER HEAD.....B-3	FRONT DAMPER.....G-2	HANDLEBAR.....H-2	REAR CUSHION LEVER..i-4	SPEEDOMETER.....E-8	TURNSIGNAL LAMP..E-10	

FIG. 20

E - 3

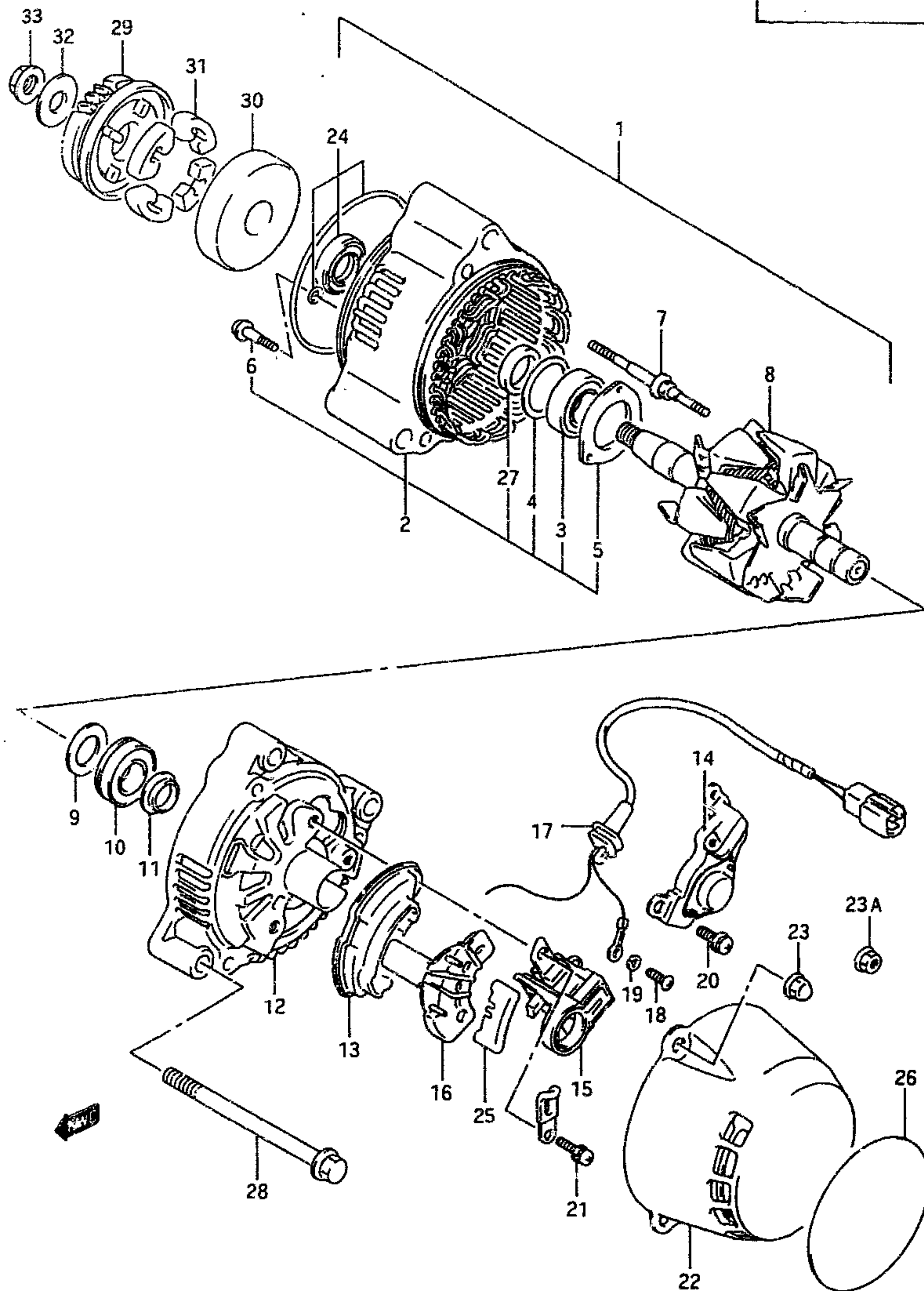


FIG. 20 (E- 3) ALTERNATOR

REF.NO.	PART NO.	DESCRIPTION	Q'TY	REMARKS
1	31400-48B03	ALTERNATOR ASSY	1	
2	31580-48B00	.FRAME, drive end	1	
3	31612-06B00	..BEARING	1	
4	31613-48B00	..COVER, bearing	1	
5	31585-48B00	..RETAINER, bearing	1	
6	31586-48B00	..SCREW, bearing retainer	3	
7-1	31587-85250	..STUD BOLT	3	Yellow
7-2	31587-19C00	..STUD BOLT	3	Black
8	31710-48B03	.ROTOR ASSY	1	
9	31613-27A00	.COVER (1)	1	
10	31612-48B00	.BEARING	1	
11	31613-27A10	.COVER (2)	1	
12	31611-48B00	.FRAME, end	1	
13	31621-27A00	.HOLDER, rectifier	1	
14	32500-27A00	.REGULATOR	1	
15	31656-48B00	.HOLDER, brush	1	
16	31687-27A00	.COVER, rectifier	1	
17	31480-48B00	.LEAD WIRE	1	
18-1	02112-04086	.SCREW	2	model K
18-2	31516-85250	.SCREW	2	model L
19	08321-21046	.LOCK WASHER	2	model K
20	31688-27A00	.SCREW (5x17)	2	
21	31688-06B00	.SCREW (5x18)	1	
22	31614-48B00	.COVER	1	
23	31692-48B00	.NUT	3	
23A	08316-16055	.NUT	3	
24	31780-48B00	.OIL SEAL SET	1	
25	31514-27A00	.BUSH	1	
26	31615-17C00	PROTECTOR, alternator	1	
27	31776-06B00	SPACER	1	

GSX-R1100L E28

GSX-R1100L E28

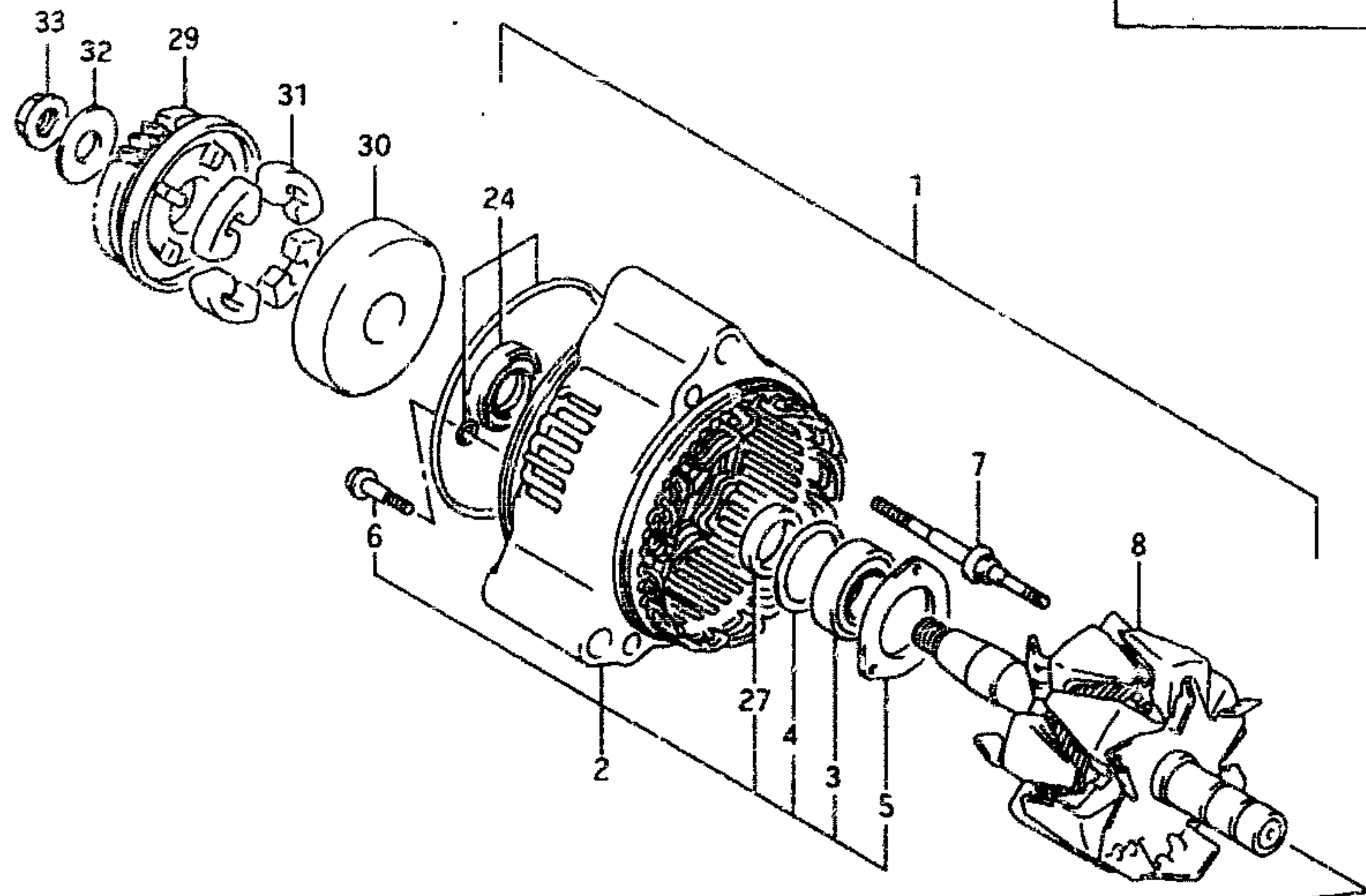
AIR CLEANER.....C-7	CLUTCH HOSE.....H-10	CYLINDER HEAD COVER..B-2	FRONT FENDER.....G-7	HEADLAMP.....E-9	REAR FENDER.....I-6	STAND.....F-3	WIRING HARNESS..E-12
ALTERNATOR.....E-3	CLUTCH MASTER CYL..H-9	ELECTRICAL.....E-7	FRONT MASTER CYL..H-8	MUFFLER.....C-8	REAR MASTER CYL..I-11	STARTER CLUTCH..B-11	
BATTERY.....E-6	COWLING.....J-4	FOOTREST.....F-4	FRONT WHEEL.....G-9	OIL COOLER.....C-9	REAR SWING ARM...I-2	STARTING MOTOR..E-2	SERIAL FRAME NUMBER
CAM CHAIN.....C-3	CRANKCASE.....B-5	FRAME.....F-2	FUEL COCK.....F-8	OIL PAN.....B-8	REAR WHEEL.....I-8	STEERING DAMPER..G-6	GSX-R1100K : JS1GV73A K2100001~
CAM SHAFT.....C-2	CRANKCASE COVER...B-7	FRAME COVER.....F-11	FUEL TANK.....F-6	OIL PUMP.....B-9	SEAT.....F-9	STEERING STEM...G-4	GSX-R1100L : JS1GV73A L2100001~
CARBURETOR.....C-4	CRANKSHAFT.....B-10	FRONT BRAKE HOSE...H-6	GEAR SHIFT.....D-5	OPTIONAL.....J-10	SEAT TAIL COVER..F-10	TAIL LAMP.....E-11	
CARBURETOR FITT..C-6	CYLINDER.....B-4	FRONT CALIPERS.....H-5	HANDLE SWI.....H-4	REAR CALIPER.....I-10	SIGNAL GENERATOR..E-5	TRANSMISSION....D-3	
CLUTCH.....D-2	CYLINDER HEAD.....B-3	FRONT DAMPER.....G-2	HANDLEBAR.....H-2	REAR CUSHION LEVER..I-4	SPEEDOMETER.....E-8	TURN SIGNAL LAMP..E-10	

FIG. 20

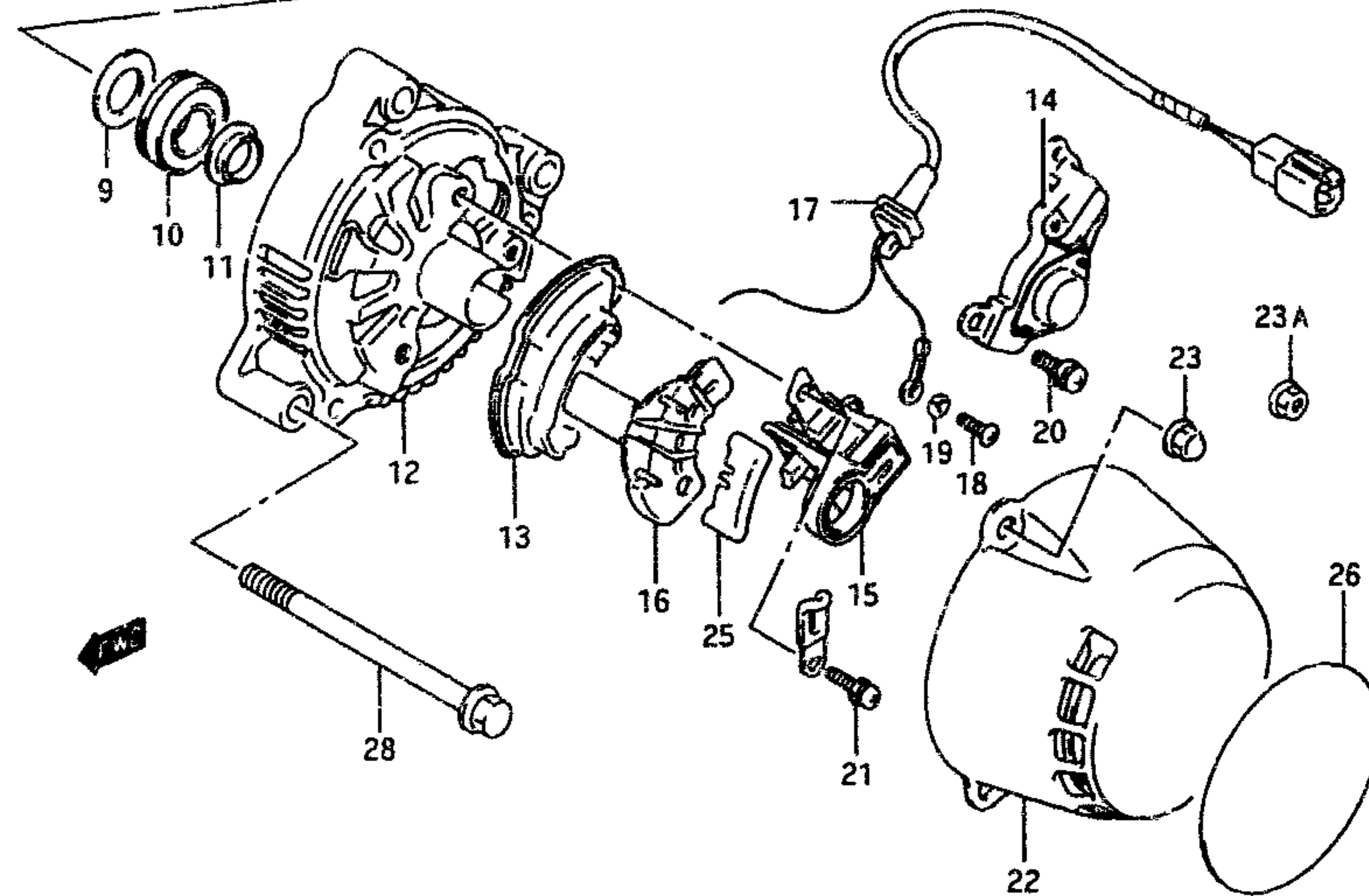
E - 4

26

FIG. 20 (E- 4) ALTERNATOR



REF.NO.	PART NO.	DESCRIPTION	Q'TY	REMARKS
28-1	01517-06905	BOLT	3	
28-2	01517-08908	BOLT	3	
29	22730-06803	GEAR, generator driven (NT:28)	1	+22730-06802
30-1	22733-27A03	HOUSING, damper	1	model K
30-2	22733-27A04	HOUSING, damper	1	model L
31	21231-06800	DAMPER	4	
32	08211-10283	WASHER	1	
33	06316-26106	NUT	1	



GSX-R1100L E28

GSX-R1100L E28

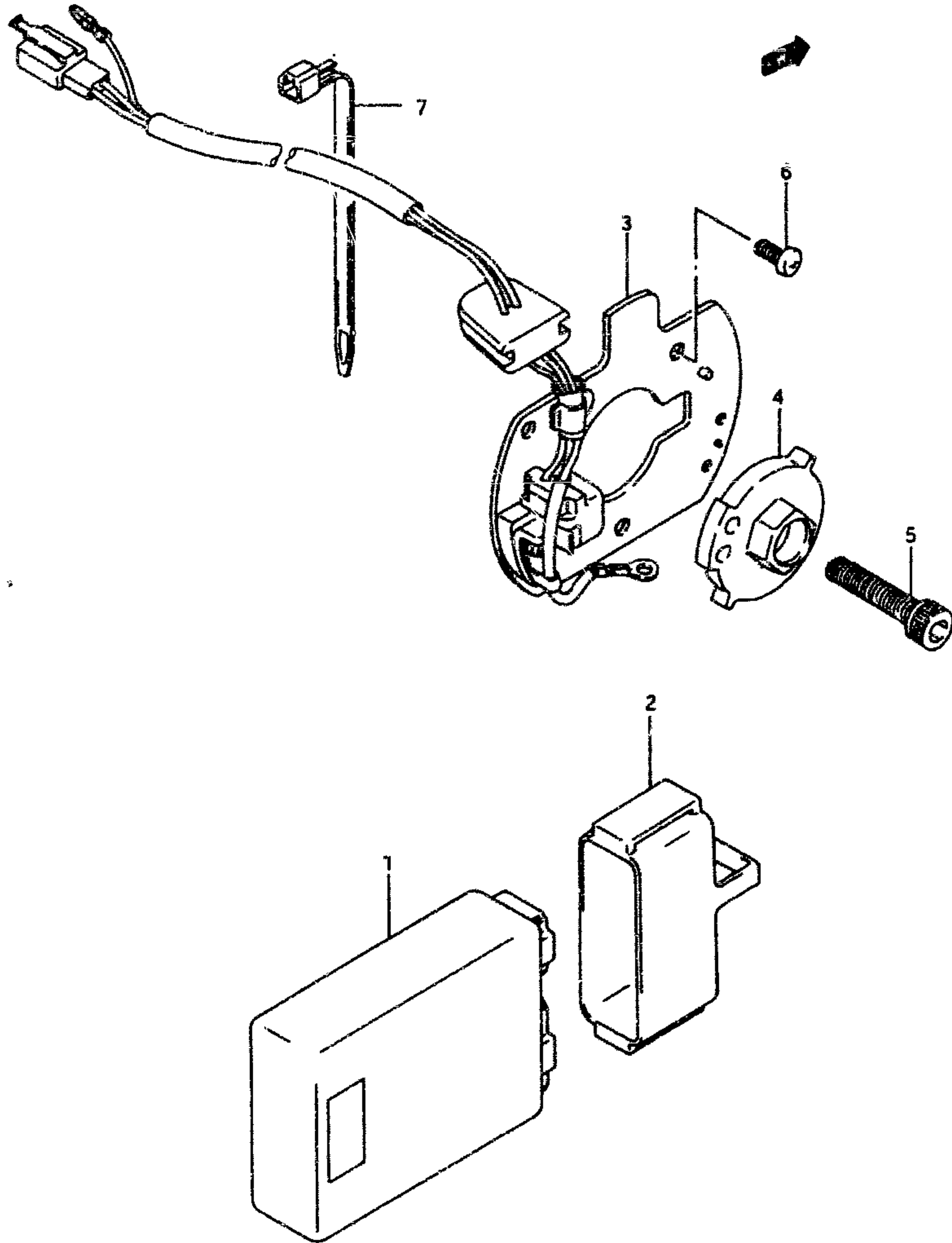
AIR CLEANER.....C-7	CLUTCH HOSE.....H-10	CYLINDER HEAD COVER..B-2	FRONT FENDER.....G-7	HEADLAMP.....E-9	REAR FENDER.....I-6	STAND.....F-3	WIRING HARNESS..E-12
ALTERNATOR.....E-3	CLUTCH MASTER CYL..H-9	ELECTRICAL.....E-7	FRONT MASTER CYL..H-8	MUFFLER.....C-8	REAR MASTER CYL..I-11	STARTER CLUTCH..B-11	
BATTERY.....E-6	COWLING.....J-4	FOOTREST.....F-4	FRONT WHEEL.....G-9	OIL COOLER.....C-9	REAR SWING ARM...I-2	STARTING MOTOR..E-2	SERIAL FRAME NUMBER
CAM CHAIN.....C-3	CRANKCASE.....B-5	FRAME.....F-2	FUEL COCK.....F-8	OIL PAN.....B-8	REAR WHEEL.....I-8	STEERING DAMPER..G-6	GSX-R1100K : JS1GV73A K2100001~
CAM SHAFT.....C-2	CRANKCASE COVER..B-7	FRAME COVER.....F-11	FUEL TANK.....F-6	OIL PUMP.....B-9	SEAT.....F-9	STEERING STEM...G-4	GSX-R1100L : JS1GV73A L2100001~
CARBURETOR.....C-4	CRANKSHAFT.....B-10	FRONT BRAKE HOSE...H-6	GEAR SHIFT.....D-5	OPTIONAL.....J-10	SEAT TAIL COVER..F-10	TAIL LAMP.....E-11	
CARBURETOR FITT..C-6	CYLINDER.....B-4	FRONT CALIPERS.....H-5	HANDLE SWI.....H-4	REAR CALIPER.....I-10	SIGNAL GENERATOR..E-5	TRANSMISSION....D-3	
CLUTCH.....D-2	CYLINDER HEAD.....B-3	FRONT DAMPER.....G-2	HANDLEBAR.....H-2	REAR CUSHION LEVER..I-4	SPEEDOMETER.....E-8	URNSIGNAL LAMP..E-10	

FIG. 21

E - 5

27

FIG. 21 (E- 5) SIGNAL GENERATOR



REF. NO.	PART NO.	DESCRIPTION	Q'TY	REMARKS
1	32900-40C00	IGNITER UNIT	1	
2	32980-40C00	CUSHION	1	
3	33110-17C00	SIGNAL GENERATOR ASSY	1	
4	33120-19C00	ROTOR, signal	1	
5	07110-08306	BOLT	1	
6	02112-05107	SCREW	3	
7	09407-14403	CLAMP	2	

GSX-R1100L E28

GSX-R1100L E28

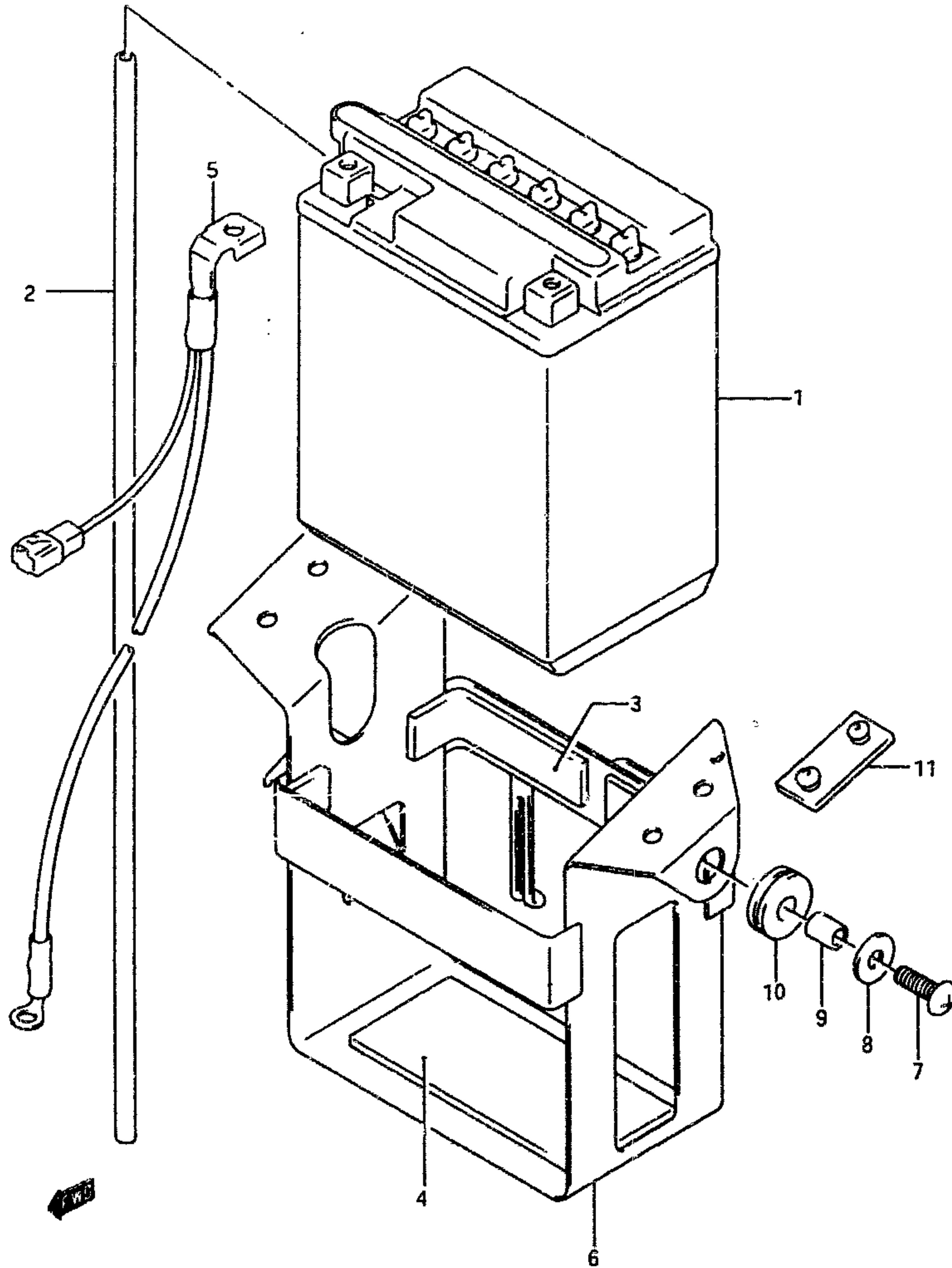
AIR CLEANER.....C-7	CLUTCH HOSE.....H-10	CYLINDER HEAD COVER..B-2	FRONT FENDER.....G-7	HEADLAMP.....E-9	REAR FENDER.....I-6	STAND.....F-3	WIRING HARNESS..E-12
ALTERNATOR.....E-3	CLUTCH MASTER CYL..H-9	ELECTRICAL.....E-7	FRONT MASTER CYL..H-8	MUFFLER.....C-8	REAR MASTER CYL...I-11	STARTER CLUTCH..B-11	
BATTERY.....E-6	COWLING.....J-4	FOOTREST.....F-4	FRONT WHEEL.....G-9	OIL COOLER.....C-9	REAR SWING ARM...I-2	STARTING MOTOR..E-2	SERIAL FRAME NUMBER
CAM CHAIN.....C-3	CRANKCASE.....B-5	FRAME.....F-2	FUEL COCK.....F-8	OIL PAN.....B-8	REAR WHEEL.....I-8	STEERING DAMPER..G-6	GSX-R1100K : JS1GV73A K2100001~
CAM SHAFT.....C-2	CRANKCASE COVER...B-7	FRAME COVER.....F-11	FUEL TANK.....F-6	OIL PUMP.....B-9	SEAT.....F-9	STEERING STEM...G-4	GSX-R1100L : JS1GV73A L2100001~
CARBURETOR.....C-4	CRANKSHAFT.....B-10	FRONT BRAKE HOSE...H-6	GEAR SHIFT.....D-5	OPTIONAL.....J-10	SEAT TAIL COVER..F-10	TAIL LAMP.....E-11	
CARBURETOR FITT..C-6	CYLINDER.....B-4	FRONT CALIPERS.....H-5	HANDLE SWI.....H-4	REAR CALIPER.....I-10	SIGNAL GENERATOR..E-5	TRANSMISSION....D-3	
CLUTCH.....D-2	CYLINDER HEAD.....B-3	FRONT DAMPER.....G-2	HANDLEBAR.....H-2	REAR CUSHION LEVER..I-4	SPEEDOMETER.....E-8	TURN SIGNAL LAMP..E-10	

FIG. 22

E - 6

28

FIG. 22 (E - 6) BATTERY



REF.NO.	PART NO.	DESCRIPTION	Q'TY	REMARKS
1	33610-49210	BATTERY (12V,14AH)	1	
2	33680-14A00	HOSE, battery exhaust	1	L:700→650
3	33652-29100	PROTECTOR (20x90)	4	
4	33651-37000	CUSHION	1	cut as required profile (50x115)
5-1	33860-40C00	LEAD WIRE (-)	1	model K
5-2	33860-40C01	LEAD WIRE (-)	1	model L
6	41540-40C00	HOLDER, battery	1	
7	09125-06038	SCREW (6x25)	2	
8	09160-060A6	WASHER (6.5x18x1.6)	3	
9	09180-06152	SPACER (6.4x9x8.5)	2	
10	09320-09021	CUSHION	2	
11	09329-05005	CUSHION	2	

GSX-R1100L E28

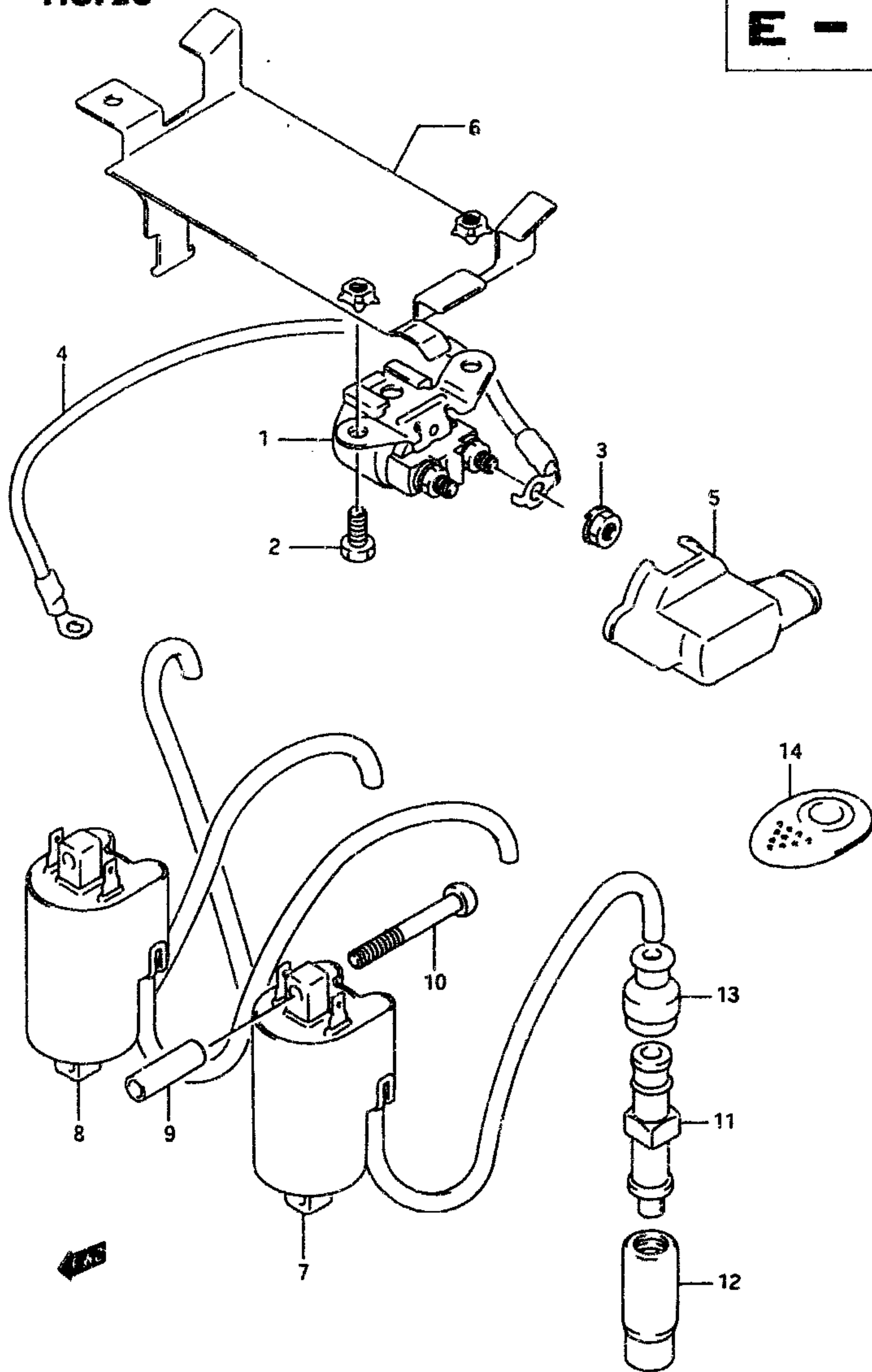
GSX-R1100L E28

AIR CLEANER.....C-7	CLUTCH HOSE.....H-10	CYLINDER HEAD COVER..B-2	FRONT FENDER.....G-7	HEADLAMP.....E-9	REAR FENDER.....I-6	STAND.....F-3	WIRING HARNESS..E-12
ALTERNATOR.....E-3	CLUTCH MASTER CYL..H-9	ELECTRICAL.....E-7	FRONT MASTER CYL..H-8	MUFFLER.....C-8	REAR MASTER CYL..I-11	STARTER CLUTCH..B-11	
BATTERY.....E-6	COWLING.....J-4	FOOTREST.....F-4	FRONT WHEEL.....G-9	OIL COOLER.....C-9	REAR SWING ARM...I-2	STARTING MOTOR..E-2	SERIAL FRAME NUMBER
CAM CHAIN.....C-3	CRANKCASE.....B-5	FRAME.....F-2	FUEL COCK.....F-6	OIL PAN.....B-8	REAR WHEEL.....I-8	STEERING DAMPER..G-6	GSX-R1100K : JS1GV73A K2100001~
CAM SHAFT.....C-2	CRANKCASE COVER..B-7	FRAME COVER.....F-11	FUEL TANK.....F-6	OIL PUMP.....B-9	SEAT.....F-9	STEERING STEM...G-4	GSX-R1100L : JS1GV73A L2100001~
CARBURETOR.....C-4	CRANKSHAFT.....B-10	FRONT BRAKE HOSE...H-6	GEAR SHIFT.....D-5	OPTIONAL.....J-10	SEAT TAIL COVER..F-10	TAIL LAMP.....E-11	
CARBURETOR FITT..C-6	CYLINDER.....B-4	FRONT CALIPERS.....H-5	HANDLE SWI.....H-4	REAR CALIPER.....I-10	SIGNAL GENERATOR..E-5	TRANSMISSION....D-3	
CLUTCH.....D-2	CYLINDER HEAD.....B-3	FRONT DAMPER.....G-2	HANDLEBAR.....H-2	REAR CUSHION LEVER..I-4	SPEEDOMETER.....E-8	TURN SIGNAL LAMP..E-10	

FIG. 23

E - 7

FIG. 23 (F - 7) ELECTRICAL



REF. NO.	PART NO.	DESCRIPTION	Q'TY	REMARKS
1	31800-49100	RELAY, starting motor	1	
2	09128-06013	SCREW (L:8)	2	
3	08361-35065	NUT	2	
4	33850-40C00	LEAD WIRE, starting motor	1	
5	31861-19C00	CAP, terminal	1	
6	47410-17C00	HOLDER, electric parts	1	
7	33410-40C00	COIL, ignition No.1	1	
8	33420-17C00	COIL, ignition No.2	1	
9-1	09180-06179	SPACER (6.4x10x32)	4	aluminium
9-2	09180-06146	SPACER (6.4x10x32)	4	steel
10	02112-06556	SCREW	4	
11-1	33510-20C01	CAP, spark plug	4	model K
11-2	33510-20C02	CAP, spark plug	4	model L
12	33541-20C00	SEAL, plug	4	
13	33542-38B00	SEAL, hightension cord	4	
14	33543-48B00	COVER	4	

GSX-R1100L E28

GSX-R1100L E28

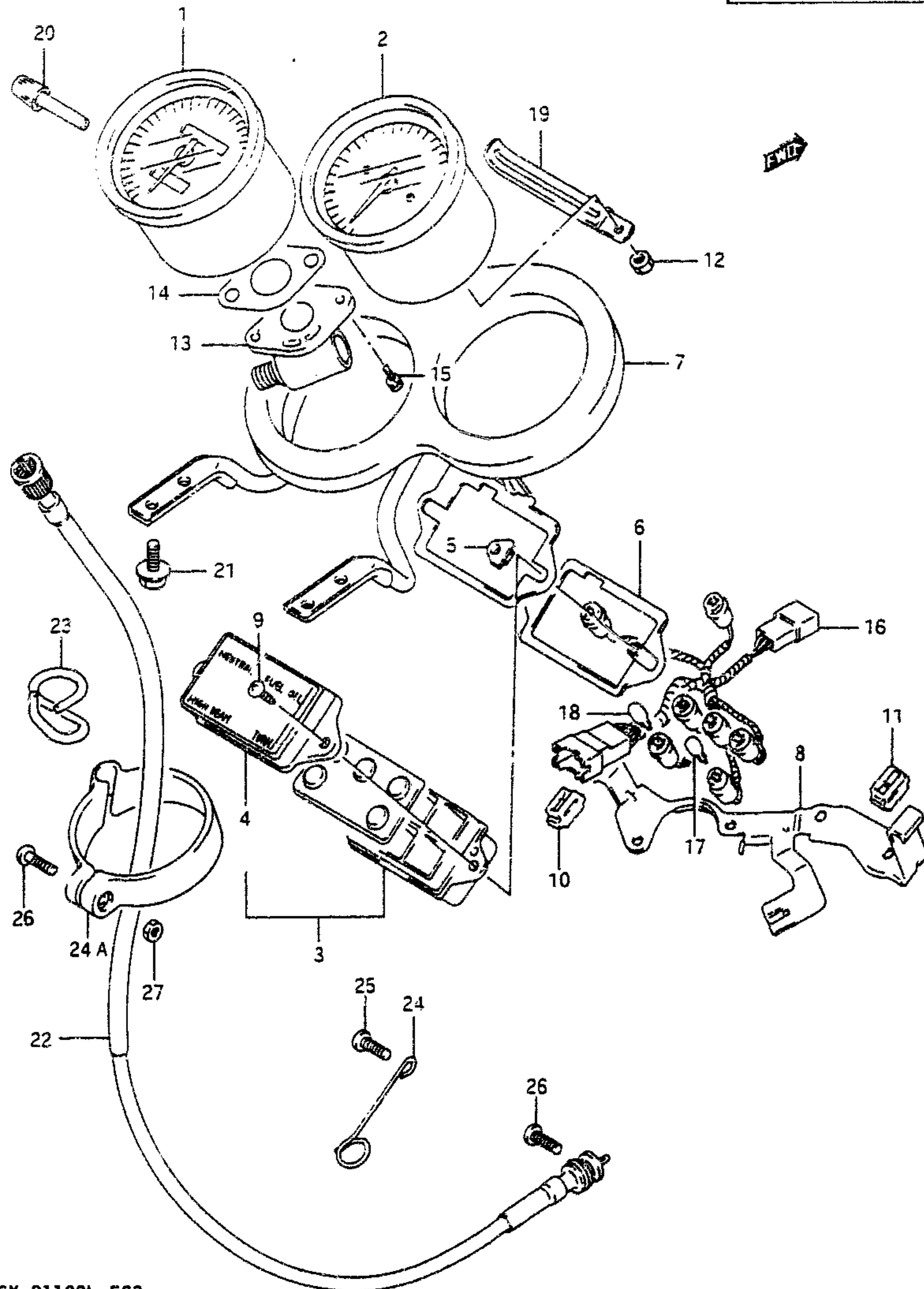
AIR CLEANER.....C-7	CLUTCH HOSE.....H-10	CYLINDER HEAD COVER..B-2	FRONT FENDER.....G-7	HEADLAMP.....E-9	REAR FENDER.....I-6	STAND.....F-3	WIRING HARNESS..E-12
ALTERNATOR.....E-3	CLUTCH MASTER CYL..H-9	ELECTRICAL.....E-7	FRONT MASTER CYL..H-8	MUFFLER.....C-8	REAR MASTER CYL..I-11	STARTER CLUTCH..B-11	
BATTERY.....E-6	COWLING.....J-4	FOOTREST.....F-4	FRONT WHEEL.....G-9	OIL COOLER.....C-9	REAR SWING ARM...I-2	STARTING MOTOR..E-2	SERIAL FRAME NUMBER
CAM CHAIN.....C-3	CRANKCASE.....B-5	FRAME.....F-2	FUEL COCK.....F-8	OIL PAN.....B-8	REAR WHEEL.....I-8	STEERING DAMPER..G-6	GSX-R1100K : JSIGV73A K2100001~
CAM SHAFT.....C-2	CRANKCASE COVER...B-7	FRAME COVER.....F-11	FUEL TANK.....F-6	OIL PUMP.....B-9	SEAT.....F-9	STEERING STEM...G-4	GSX-R1100L : JSIGV73A L2100001~
CARBURETOR.....C-4	CRANKSHAFT.....B-10	FRONT BRAKE HOSE...H-6	GEAR SHIFT.....D-5	OPTIONAL.....J-10	SEAT TAIL COVER..F-10	TAIL LAMP.....E-11	
CARBURETOR FITT..C-6	CYLINDER.....B-4	FRONT CALIPERS....H-5	HANDLE SWI.....H-4	REAR CALIPER.....I-10	SIGNAL GENERATOR..E-5	TRANSMISSION....D-3	
CLUTCH.....D-2	CYLINDER HEAD....B-3	FRONT DAMPER.....G-2	HANDLEBAR.....H-2	REAR CUSHION LEVER..I-4	SPEEDOMETER.....E-8	TURN SIGNAL LAMP..E-10	

FIG. 24

E - 8

30

FIG. 24 (E- 8) SPEEDOMETER



GSX-R1100L E28

GSX-R1100L E28

REF.NO.	PART NO.	DESCRIPTION	Q'TY	REMARKS
1	34110-40C20	SPEEDOMETER (Kilo)	1	
2-1	34210-40C20	TACHOMETER	1	model K
2-2	34210-40C60	TACHOMETER	1	model L
3	36380-40C20	BOX ASSY, pilot lamp	1	
4	36381-40C20	.CASE, upper	1	
5	34716-32C00	DAMPER	2	
6	34718-32C00	PLATE, pilot box	1	
7	34950-40C20	PLATE, setting	1	
8	34111-17C00	BRACKET	1	
9	02112-74085	SCREW	2	
10	34189-17C00	DAMPER, LH	1	
11	34189-04A30	DAMPER, RH	1	
12	08310-11045	NUT	2	
13	34131-48B10	BOX, meter gear	1	
14	34132-17C00	GASKET, gear box	1	
15	02112-34128	SCREW	2	
16	34170-40C20	SOCKET	1	
17	09471-12103	BULB (12V,3W)	5	
18	09471-12108	BULB (12V,1.7W)	2	
19	09404-04402	CLAMP	2	
20	34124-49400	KNOB	1	
21	01517-06125	BOLT	4	
22	34910-17C00	CABLE ASSY, speedometer	1	
23	34939-40C50	GUIDE, speedometer cable No.2	1	
24-1	34939-45000	GUIDE, speedometer cable No.3	1	model K
24-2	34939-17000	GUIDE, speedometer cable No.3	1	model L
24A	34938-40C60	GUIDE, cable	1	model L
25	02142-06108	SCREW	1	
26-1	02112-05164	SCREW	1	model K
26-2	02112-05164	SCREW	2	model L
27	08310-11058	NUT	1	model L

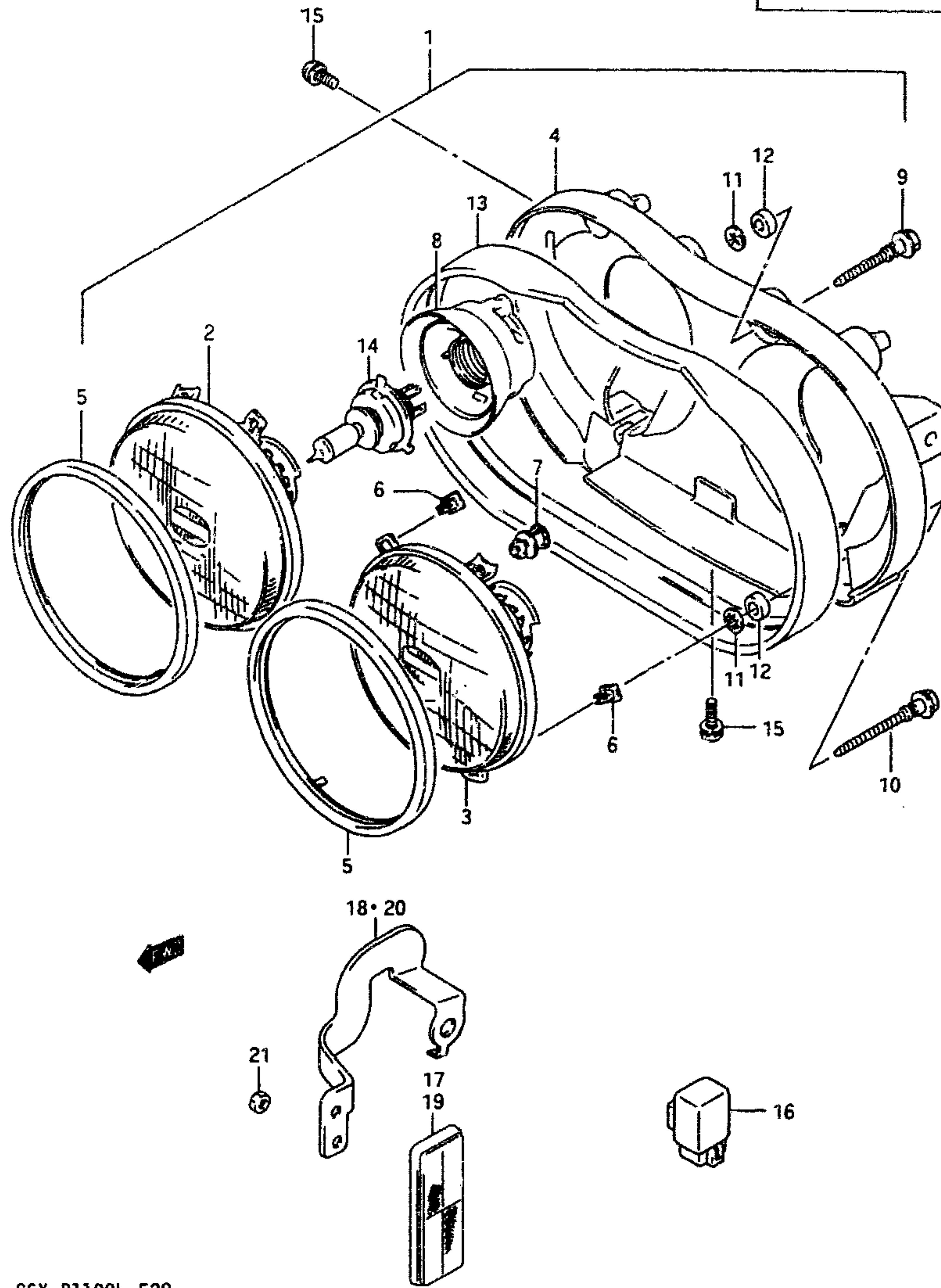
AIR CLEANER.....C-7	CLUTCH HOSE.....H-10	CYLINDER HEAD COVER..B-2	FRONT FENDER.....G-7	HEADLAMP.....E-9	REAR FENDER.....I-6	STAND.....F-3	WIRING HARNESS..E-12
ALTERNATOR.....E-3	CLUTCH MASTER CYL..H-9	ELECTRICAL.....E-7	FRONT MASTER CYL..H-8	MUFFLER.....C-8	REAR MASTER CYL..I-11	STARTER CLUTCH..B-11	
BATTERY.....E-6	COWLING.....J-4	FOOTREST.....F-4	FRONT WHEEL.....G-9	OIL COOLER.....C-9	REAR SWING ARM...I-2	STARTING MOTOR..E-2	SERIAL FRAME NUMBER
CAM CHAIN.....C-3	CRANKCASE.....B-5	FRAME.....F-2	FUEL COCK.....F-8	OIL PAN.....B-8	REAR WHEEL.....I-8	STEERING DAMPER..G-6	GSX-R1100K : JS1GV73A K2100001~
CAM SHAFT.....C-2	CRANKCASE COVER..B-7	FRAME COVER.....F-11	FUEL TANK.....F-6	OIL PUMP.....B-9	SEAT.....F-9	STEERING STEM...G-4	GSX-R1100L : JS1GV73A L2100001~
CARBURETOR.....C-4	CRANKSHAFT.....B-10	FRONT BRAKE HOSE...H-6	GEAR SHIFT.....D-5	OPTIONAL.....J-10	SEAT TAIL COVER..F-10	TAIL LAMP.....E-11	
CARBURETOR FITT..C-6	CYLINDER.....B-4	FRONT CALIPERS.....H-5	HANDLE SWI.....H-4	REAR CALIPER.....I-10	SIGNAL GENERATOR..E-5	TRANSMISSION....D-3	
CLUTCH.....D-2	CYLINDER HEAD.....B-3	FRONT DAMPER.....G-2	HANDLEBAR.....H-2	REAR CUSHION LEVER..I-4	SPEEDOMETER.....E-8	TURN SIGNAL LAMP..E-10	

FIG. 25

E - 9

31

FIG. 25 (E- 9) HEADLAMP



REF.NO.	PART NO.	DESCRIPTION	Q'TY	REMARKS
1	35100-40C30-999	HEADLAMP ASSY	1	
2	35121-17C30	.UNIT, headlamp	1	
3	35321-17C30	.UNIT, headlamp LH	1	
4	35240-05C02	.HOUSING	1	
5	35127-04A00	.RING, retaining	2	
6	35152-05C00	.NUT, self locking	4	
7	35162-04A00	.BEARING, spherical	2	
8-1	35173-20A01	.COVER, socket,RH	1	
8-2	35173-06B50	.COVER, socket,LH	1	
9	35151-05C00	.SCREW, adjusting	2	
10	35153-05C00	.SCREW, adjusting	2	
11	35157-32B00	.NUT, spring	4	
12	35167-05C00	.BUSHING	4	
13	35242-40C00	GASKET, headlamp housing	1	
14	09471-12060	BULB (12V,60/55W)	2	
15	02112-36165	SCREW	3	
16	38640-17C00	RELAY ASSY, headlamp	2	model K
17	35950-40C00	REFLEX REFLECTOR, front side	2	model K
18-1	35956-40C01	BRACKET, RH	1	model K
18-2	35957-40C01	BRACKET, LH	1	model K
19	35950-40C00	REFLECTOR, front side	2	model L
20-1	35956-17D00	BRACKET, RH	1	model L
20-2	35957-17D00	BRACKET, LH	1	model L
21	08361-15055	NUT	2	

GSX-R1100L E28

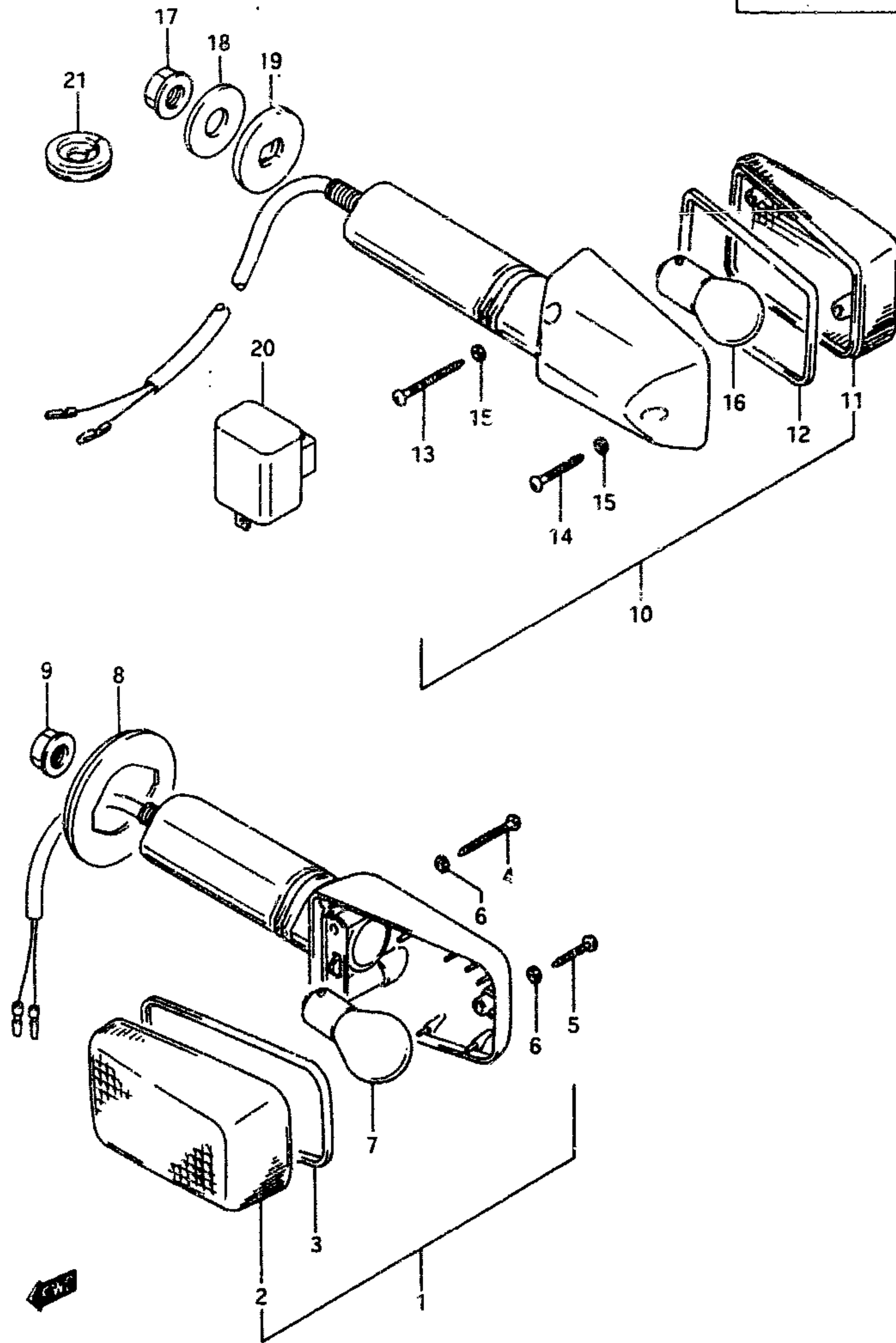
GSX-R1100L E28

AIR CLEANER.....C-7	CLUTCH HOSE.....H-10	CYLINDER HEAD COVER..B-2	FRONT FENDER.....G-7	HEADLAMP.....E-9	REAR FENDER.....I-6	STAND.....F-3	WIRING HARNESS..E-12
ALTERNATOR.....E-3	CLUTCH MASTER CYL..H-9	ELECTRICAL.....E-7	FRONT MASTER CYL..H-8	MUFFLER.....C-8	REAR MASTER CYL..I-11	STARTER CLUTCH..B-11	
BATTERY.....E-6	COWLING.....J-4	FOOTREST.....F-4	FRONT WHEEL.....G-9	OIL COOLER.....C-9	REAR SWING ARM...I-2	STARTING MOTOR..E-2	SERIAL FRAME NUMBER
CAM CHAIN.....C-3	CRANKCASE.....B-5	FRAME.....F-2	FUEL COCK.....F-8	OIL PAN.....B-8	REAR WHEEL.....I-8	STEERING DAMPER..G-6	GSX-R1100K : JSIGV73A K2100001~
CAM SHAFT.....C-2	CRANKCASE COVER...B-7	FRAME COVER.....F-11	FUEL TANK.....F-6	OIL PUMP.....B-9	SEAT.....F-9	STEERING STEM...G-4	GSX-R1100L : JSIGV73A L2100001~
CARBURETOR.....C-4	CRANKSHAFT.....B-10	FRONT BRAKE HOSE...H-6	GEAR SHIFT.....D-5	OPTIONAL.....J-10	SEAT TAIL COVER..F-10	TAIL LAMP.....E-11	
CARBURETOR FITT..C-6	CYLINDER.....B-4	FRONT CALIPERS.....H-5	HANDLE SWI.....H-4	REAR CALIPER.....I-10	SIGNAL GENERATOR..E-5	TRANSMISSION....D-3	
CLUTCH.....D-2	CYLINDER HEAD.....B-3	FRONT DAMPER.....G-2	HANDLEBAR.....H-2	REAR CUSHION LEVER..I-4	SPEEDOMETER.....E-8	TURN SIGNAL LAMP..E-10	

FIG. 26

E - 10

FIG. 26 (E-10) TURNSIGNAL LAMP



REF. NO.	PART NO.	DESCRIPTION	Q'TY	REMARKS
1	35601-17C21	LAMP ASSY, front turnsignal	2	
2	35612-17C20	.LENS	2	
3	35613-27A00	.GASKET	2	
4	35623-27A00	.TAPPING SCREW	4	
5	35725-40511	.TAPPING SCREW	2	
6	35627-27A02	.GASKET	6	
7	09471-12045	.BULB (12V,21W)	2	
8	35674-27A01	GROMMET	2	
9	08316-26105	NUT	2	
10	35601-17C41	LAMP ASSY, rear turnsignal	2	
11	35612-17C20	.LENS	2	
12	35613-27A00	.GASKET	2	
13	35623-27A00	.TAPPING SCREW	4	
14	35725-40511	.TAPPING SCREW	2	
15	35627-27A02	.GASKET	6	
16	09471-12045	BULB (12V,21W)	2	
17	08316-26105	NUT	2	
18	09160-10094	WASHER	2	
19	35695-17C00	SPACER	2	
20	38610-31310	RELAY ASSY, turnsignal	1	
21-1	09308-07011	GROMMET	2	model K
21-2	09308-07013	GROMMET	2	model L

GSX-R1100L E28

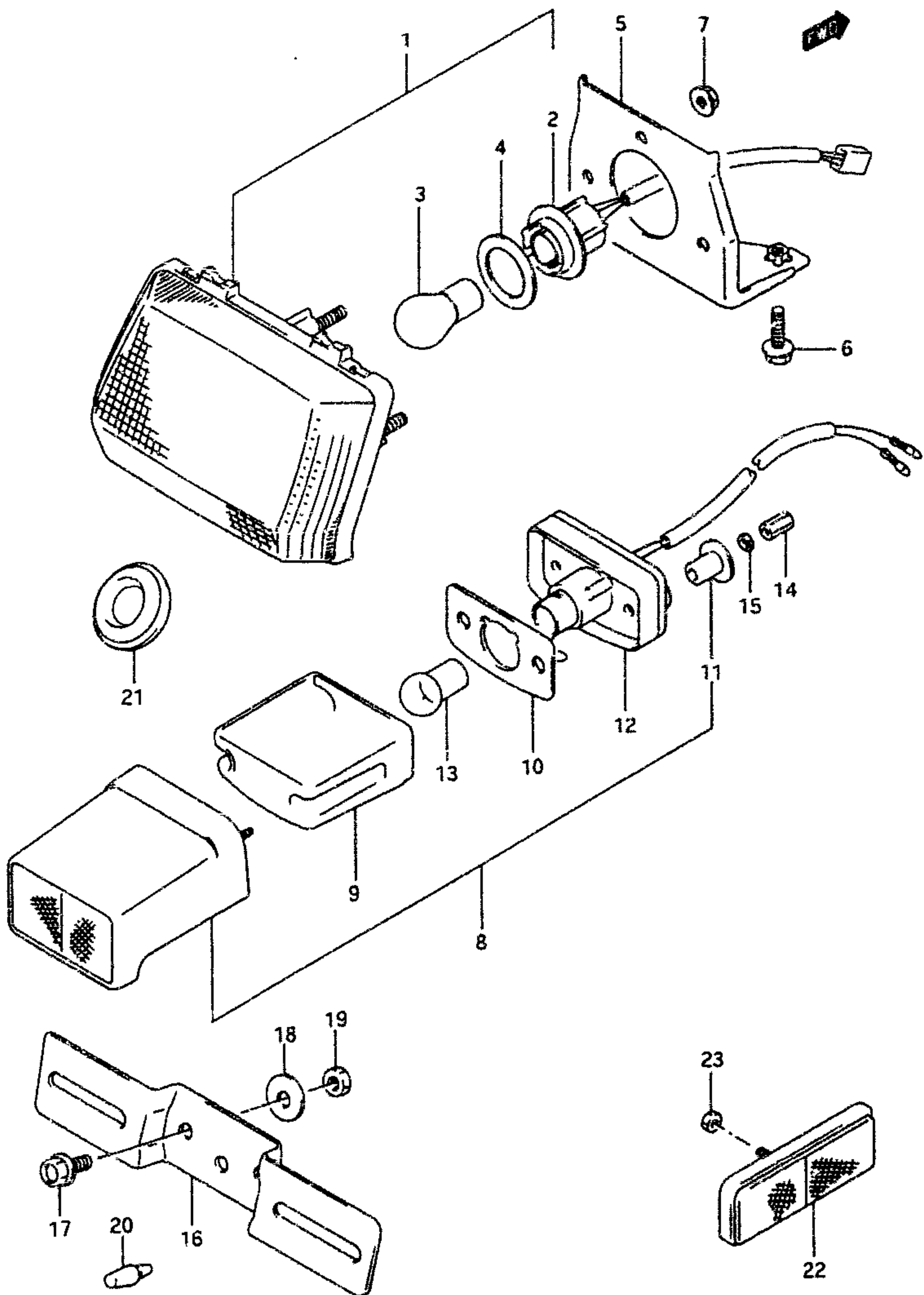
GSX-R1100L E28

AIR CLEANER.....C-7	CLUTCH HOSE.....H-10	CYLINDER HEAD COVER..B-2	FRONT FENDER.....G-7	HEADLAMP.....E-9	REAR FENDER.....I-6	STAND.....F-3	WIRING HARNESS..E-12
ALTERNATOR.....E-3	CLUTCH MASTER CYL..H-9	ELECTRICAL.....E-7	FRONT MASTER CYL..H-8	MUFFLER.....C-8	REAR MASTER CYL..I-11	STARTER CLUTCH..B-11	
BATTERY.....E-6	COWLING.....J-4	FOOTREST.....F-4	FRONT WHEEL.....G-9	OIL COOLER.....C-9	REAR SWING ARM...I-2	STARTING MOTOR..E-2	SERIAL FRAME NUMBER
CAM CHAIN.....C-3	CRANKCASE.....B-5	FRAME.....F-2	FUEL COCK.....F-8	OIL PAN.....B-8	REAR WHEEL.....I-8	STEERING DAMPER..G-6	GSX-R1100K : JSIGV73A K2100001~
CAM SHAFT.....C-2	CRANKCASE COVER...B-7	FRAME COVER.....F-11	FUEL TANK.....F-6	OIL PUMP.....B-9	SEAT.....F-9	STEERING STEM...G-4	GSX-R1100L : JSIGV73A L2100001~
CARBURETOR.....C-4	CRANKSHAFT.....B-10	FRONT BRAKE HOSE...H-6	GEAR SHIFT.....D-5	OPTIONAL.....J-10	SEAT TAIL COVER..F-10	TAIL LAMP.....E-11	
CARBURETOR FITT..C-6	CYLINDER.....B-4	FRONT CALIPERS.....H-5	HANDLE SWI.....H-4	REAR CALIPER.....I-10	SIGNAL GENERATOR..E-5	TRANSMISSION....D-3	
CLUTCH.....D-2	CYLINDER HEAD.....B-3	FRONT DAMPER.....G-2	HANDLEBAR.....H-2	REAR CUSHION LEVER..I-4	SPEEDOMETER.....E-8	TURNSIGNAL LAMP..E-10	

FIG. 27

E - 11

FIG. 27 (E-11) TAIL LAMP - LICENSE LAMP



REF.NO.	PART NO.	DESCRIPTION	Q'TY	REMARKS
1	35710-17C00	LAMP ASSY, rear combination	1	
2	35718-17C00	.SOCKET & CORD	1	
3	09471-12128	.BULB (12V,21/5W)	1	
4	35764-48B20	.GASKET	1	
5	35730-17C00	BRACKET	1	
6	01517-06128	BOLT	3	
7	08316-26066	NUT	3	
8	35910-17C00	LAMP ASSY, license	1	
9	35912-38A30	.LENS, license lamp	1	
10	35913-38A30	.GASKET	1	
11	35766-17C00	.SPACER	2	
12	35915-17C00	.HOUSING	1	
13-1	09471-12139	.BULB (12V,5W)	1	model K
13-2	09471-12058	.BULB (12V,5W)	1	model L
14	09140-04006	NUT	2	
15	08321-21046	LOCK WASHER	2	
16	35927-00A10	BRACKET, license plate	1	
17	01517-06164	BOLT	2	
18	09160-06020	WASHER	2	
19	08316-26066	NUT	2	
20	09321-06023	CUSHION	1	
21	09250-30010	GROMMET	2	
22	35970-00A21	REFLEX REFLECTOR, rear side	2	
23	08310-22055	NUT	2	

GSX-R1100L E28

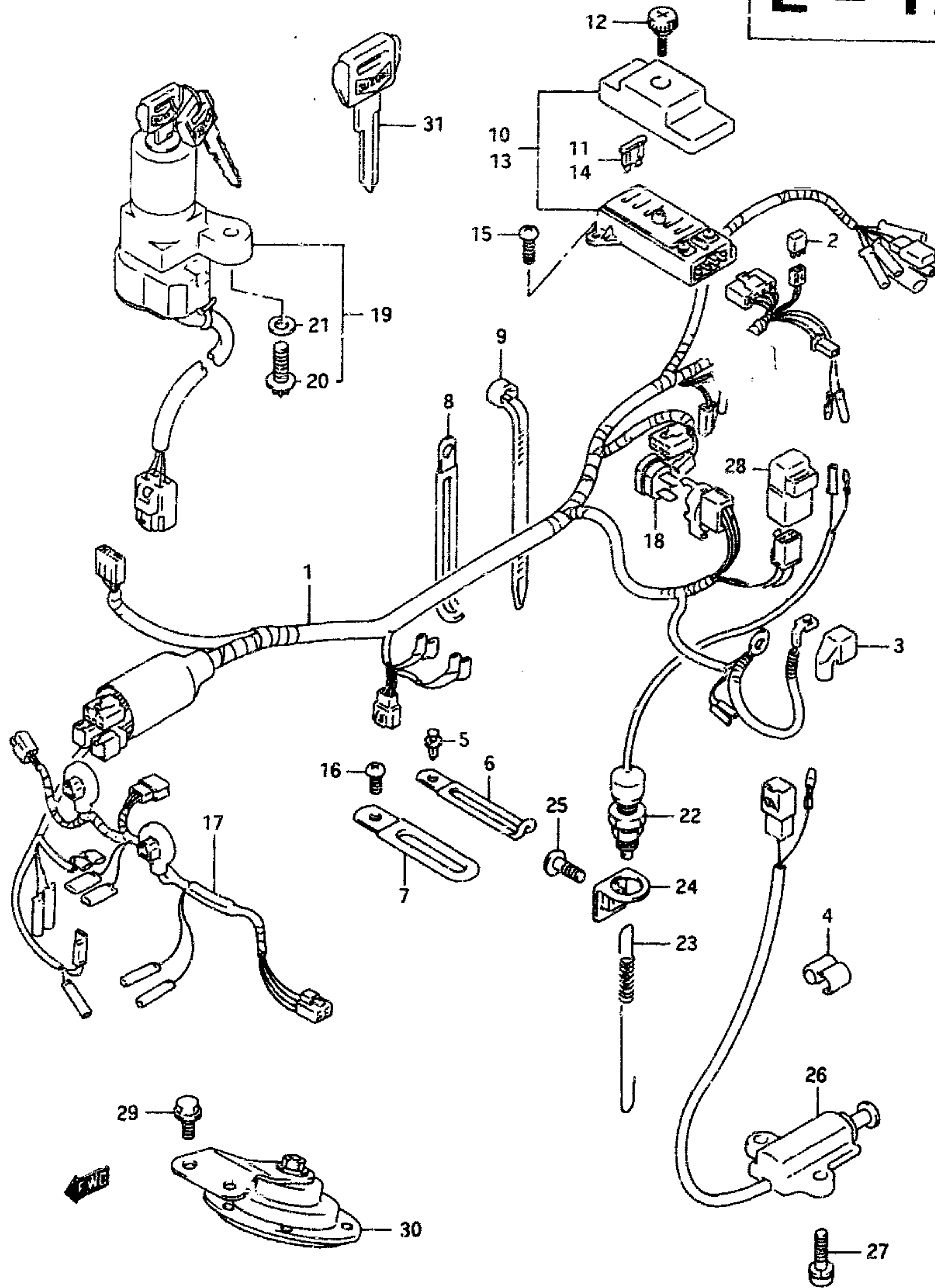
GSX-R1100L E28

AIR CLEANER.....C-7	CLUTCH HOSE.....H-10	CYLINDER HEAD COVER..B-2	FRONT FENDER.....G-7	HEADLAMP.....E-9	REAR FENDER.....I-6	STAND.....F-3	WIRING HARNESS..E-12
ALTERNATOR.....E-3	CLUTCH MASTER CYL..H-9	ELECTRICAL.....E-7	FRONT MASTER CYL..H-8	MUFFLER.....C-8	REAR MASTER CYL..I-11	STARTER CLUTCH..B-11	
BATTERY.....E-6	COWLING.....J-4	FOOTREST.....F-4	FRONT WHEEL.....G-9	OIL COOLER.....C-9	REAR SWING ARM...I-2	STARTING MOTOR..E-2	SERIAL FRAME NUMBER
CAM CHAIN.....C-3	CRANKCASE.....B-5	FRAME.....F-2	FUEL COCK.....F-8	OIL PAN.....B-8	REAR WHEEL.....I-8	STEERING DAMPER..G-6	GSX-R1100K : JS1GV73A K2100001~
CAM SHAFT.....C-2	CRANKCASE COVER..B-7	FRAME COVER.....F-11	FUEL TANK.....F-6	OIL PUMP.....B-9	SEAT.....F-9	STEERING STEM...G-4	GSX-R1100L : JS1GV73A L2100001~
CARBURETOR.....C-4	CRANKSHAFT.....B-10	FRONT BRAKE HOSE...H-6	GEAR SHIFT.....D-5	OPTIONAL.....J-10	SEAT TAIL COVER..F-10	TAIL LAMP.....E-11	
CARBURETOR FITT..C-6	CYLINDER.....B-4	FRONT CALIFERS....H-5	HANDLE SWI.....H-4	REAR CALIPER.....I-10	SIGNAL GENERATOR..E-5	TRANSMISSION....D-3	
CLUTCH.....D-2	CYLINDER HEAD....B-3	FRONT DAMPER.....G-2	HANDLEBAR.....H-2	REAR CUSHION LEVER..I-4	SPEEDOMETER.....E-8	TURN SIGNAL LAMP..E-10	

FIG. 28

E - 12

FIG. 28 (E-12) WIRING HARNESS



REF.NO.	PART NO.	DESCRIPTION	Q'TY	REMARKS
1-1	36610-40C00	HARNESS, wiring	1	model K
1-2	36610-40C50	HARNESS, WIRING	1	model L
2	36611-38A00	.DIODE	1	
3	33624-27A00	.CAP, battery plus terminal	1	model K
4	09408-00002	CLIP	1	
5	09409-07305	CLIP	1	
6-1	09404-06403	CLAMP (L:55)	2	
6-2	09404-06404	CLAMP (L:80)	3	
7	09404-05403	CLAMP (L:67)	1	
8	09404-06415	CLAMP (L:95)	1	
9-1	09407-14403	CLAMP (L:125)	8	
9-2	09407-18402	CLAMP (L:165)	5	
10	36740-17C00	FUSE BOX ASSY	1	model K
11	09481-10101	.FUSE (10A)	6	model K
12	36721-17C00	.SCREW, fuse box	1	model K
13	36740-17D00	BOX ASSY, fuse	1	model L
14-1	09481-10101	.FUSE (10A)	5	model L
14-2	09481-20101	.FUSE (20A)	1	model L
15	02142-05164	SCREW	2	
16	02142-05128	SCREW	1	
17-1	36856-40C00	WIRE, headlamp lead	1	model K
17-2	36856-17D00	WIRE, headlamp lead	1	model L
18	36750-05A00	BREAKER ASSY, circuit	1	
19	37100-17C00	SWITCH ASSY, ignition	1	
20	09139-06026	.BOLT	2	
21	08321-31066	.LOCK WASHER	2	

GSX-R1100L E28

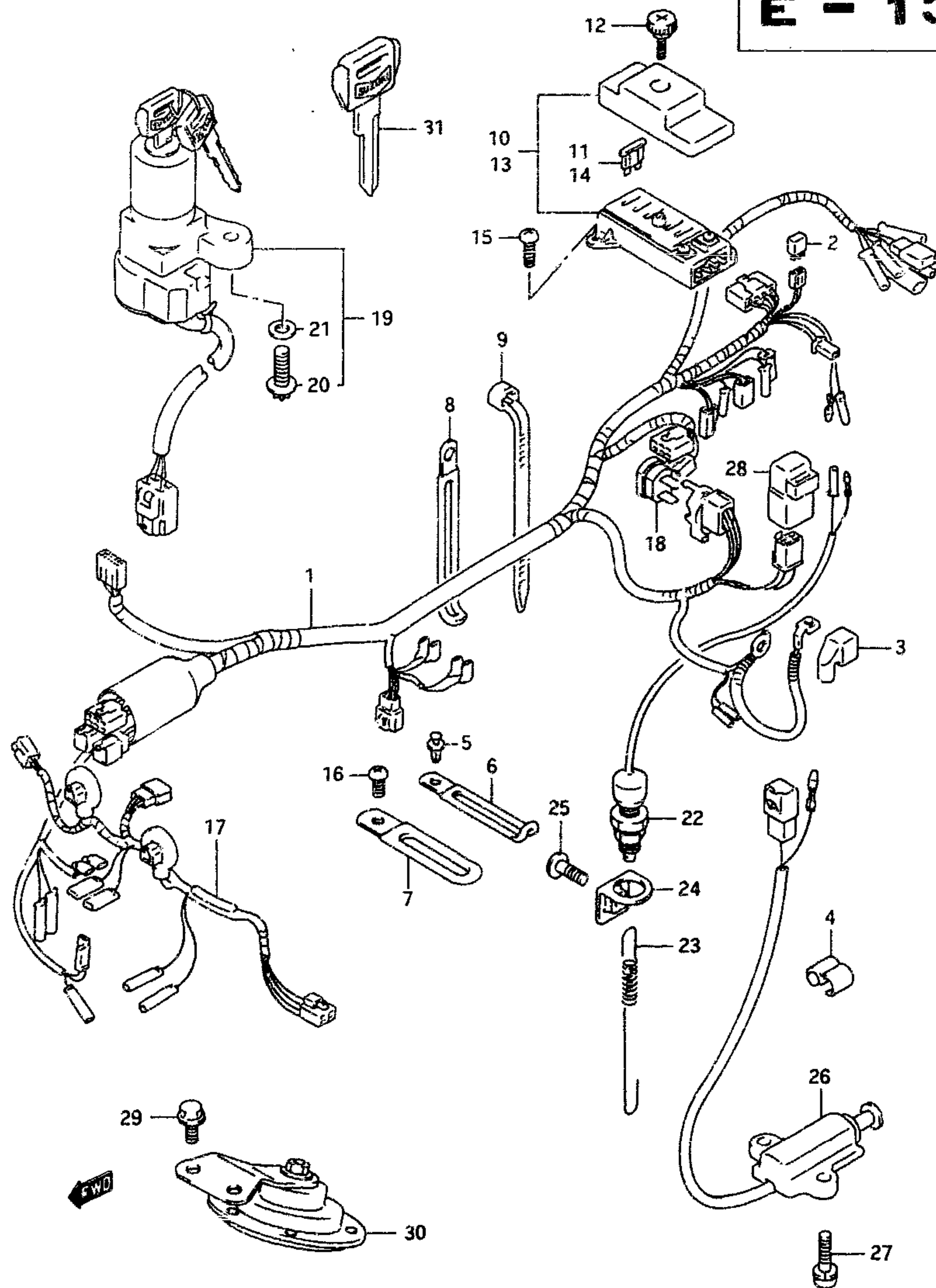
GSX-R1100L E28

AIR CLEANER.....C-7	CLUTCH HOSE.....H-10	CYLINDER HEAD COVER..B-2	FRONT FENDER.....G-7	HEADLAMP.....E-9	REAR FENDER.....I-6	STAND.....F-3	WIRING HARNESS..E-12
ALTERNATOR.....E-3	CLUTCH MASTER CYL..H-9	ELECTRICAL.....E-7	FRONT MASTER CYL..H-8	MUFFLER.....C-8	REAR MASTER CYL..I-11	STARTER CLUTCH..B-11	
BATTERY.....E-6	COWLING.....J-4	FOOTREST.....F-4	FRONT WHEEL.....G-9	OIL COOLER.....C-9	REAR SWING ARM...I-2	STARTING MOTOR..E-2	SERIAL FRAME NUMBER
CAM CHAIN.....C-3	CRANKCASE.....B-5	FRAME.....F-2	FUEL COCK.....F-8	OIL PAN.....B-8	REAR WHEEL.....I-8	STEERING DAMPER..G-6	GSX-R1100K : JS1GV73A K2100001~
CAM SHAFT.....C-2	CRANKCASE COVER..B-7	FRAME COVER.....F-11	FUEL TANK.....F-6	OIL PUMP.....B-9	SEAT.....F-9	STEERING STEM...G-4	GSX-R1100L : JS1GV73A L2100001~
CARBURETOR.....C-4	CRANKSHAFT.....B-10	FRONT BRAKE HOSE...H-6	GEAR SHIFT.....D-5	OPTIONAL.....J-10	SEAT TAIL COVER..F-10	TAIL LAMP.....E-11	
CARBURETOR FITT..C-6	CYLINDER.....B-4	FRONT CALIPERS.....H-5	HANDLE SWI.....H-4	REAR CALIPER.....I-10	SIGNAL GENERATOR..E-5	TRANSMISSION....D-3	
CLUTCH.....D-2	CYLINDER HEAD.....B-3	FRONT DAMPER.....G-2	HANDLEBAR.....H-2	REAR CUSHION LEVER..I-4	SPEEDOMETER.....E-8	TURN SIGNAL LAMP..E-10	

FIG. 28

E - 13

FIG. 28 (E-13) WIRING HARNESS

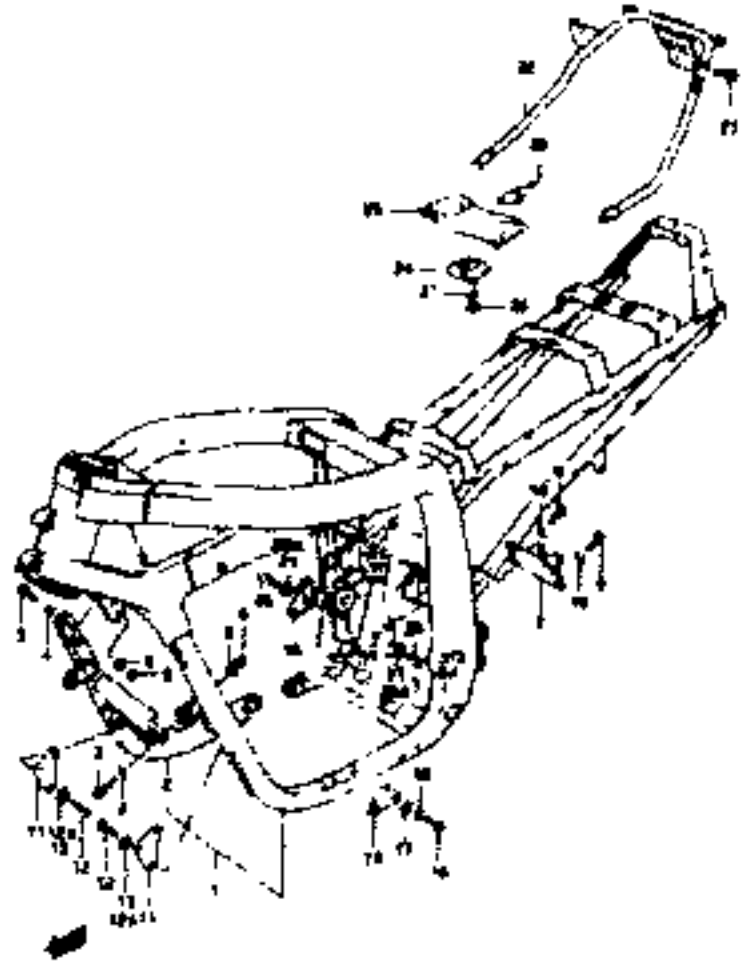
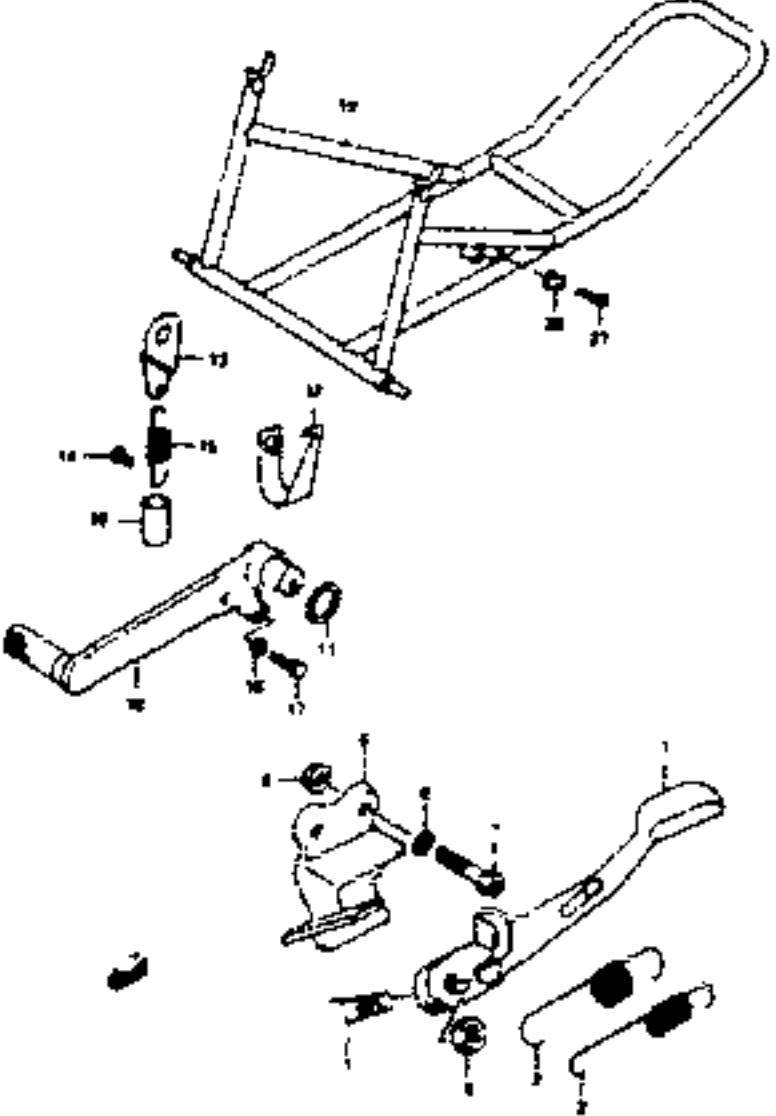
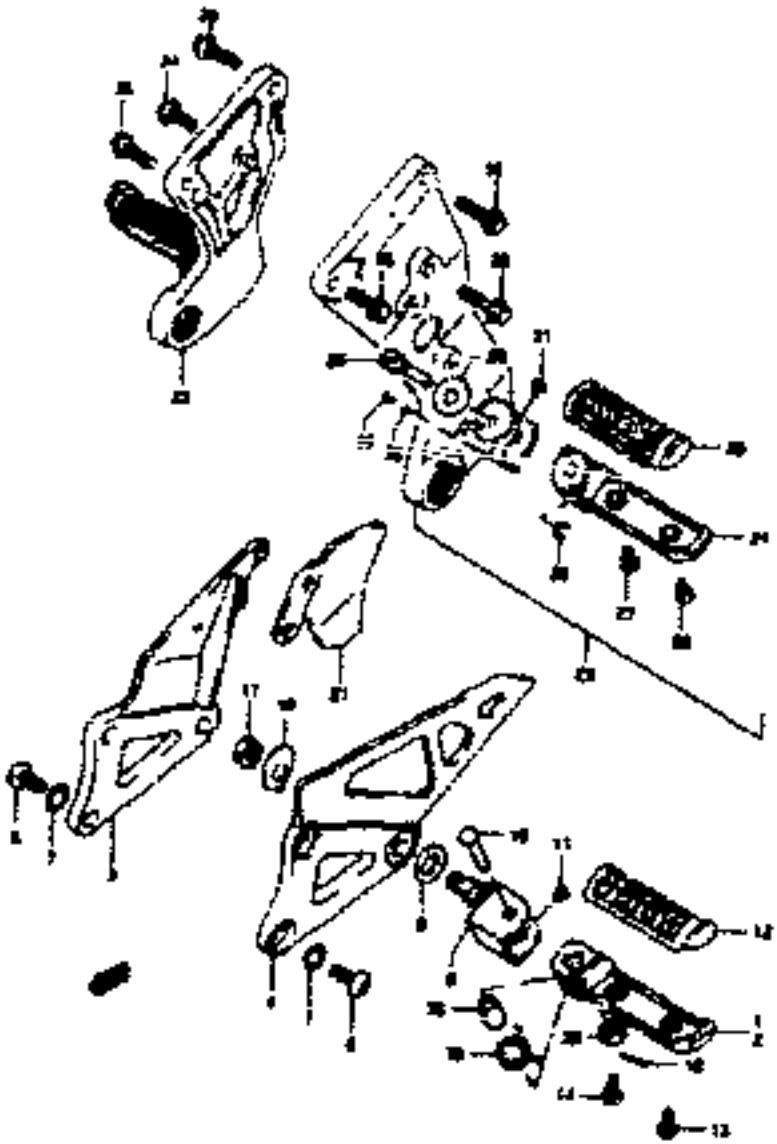
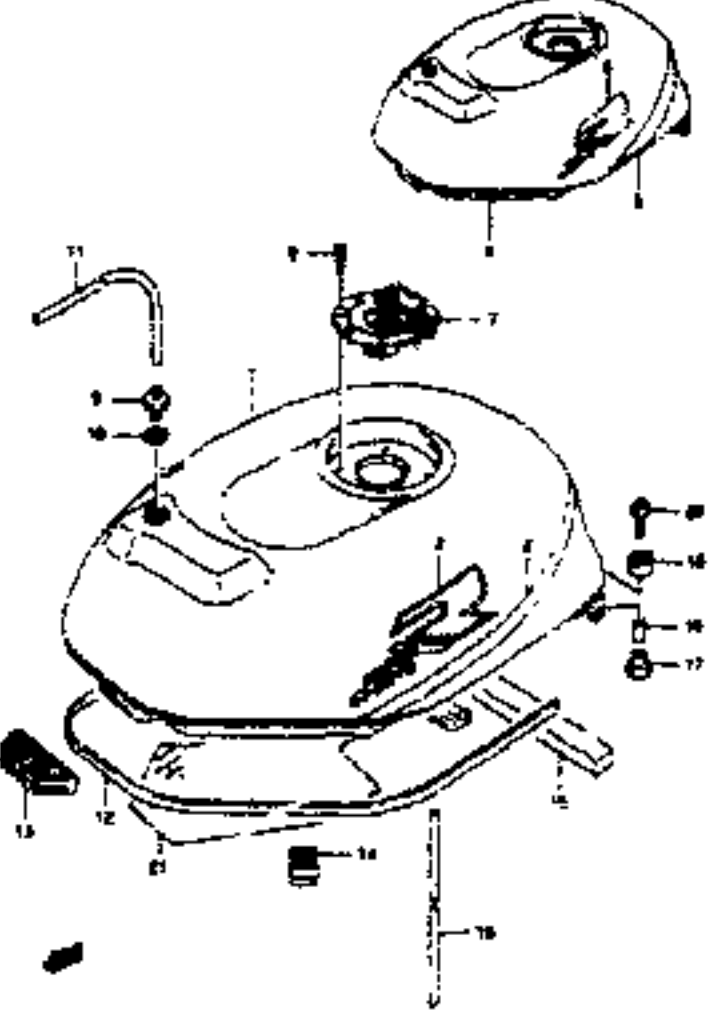
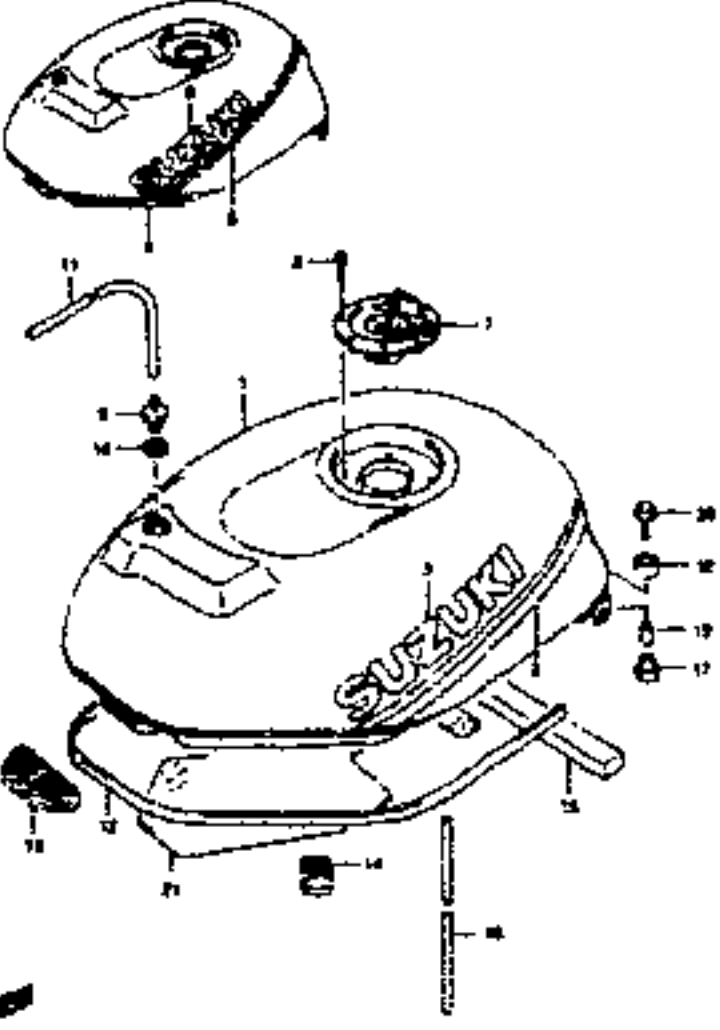
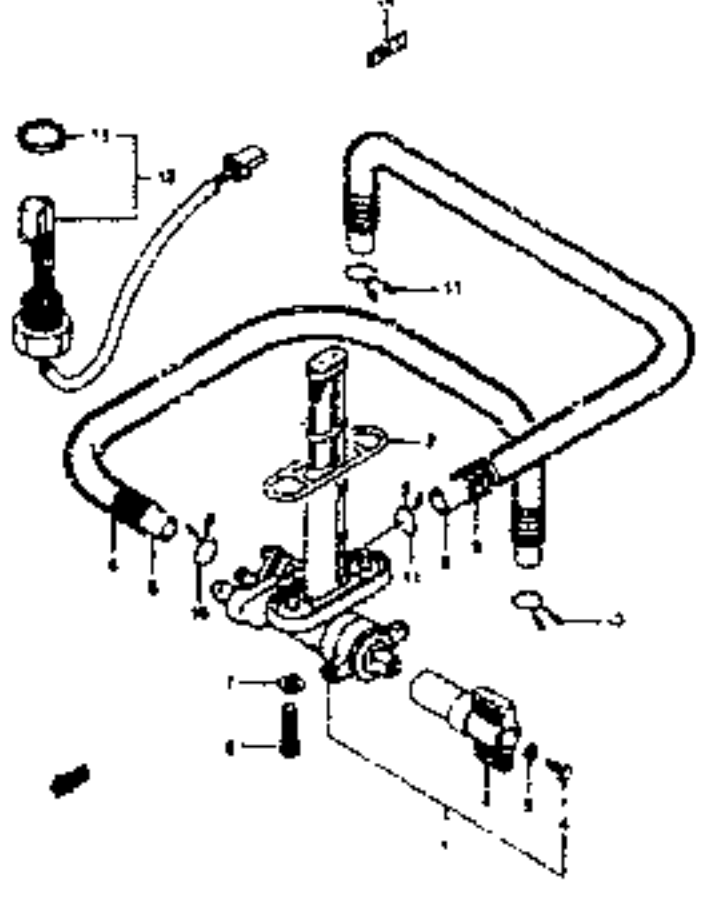
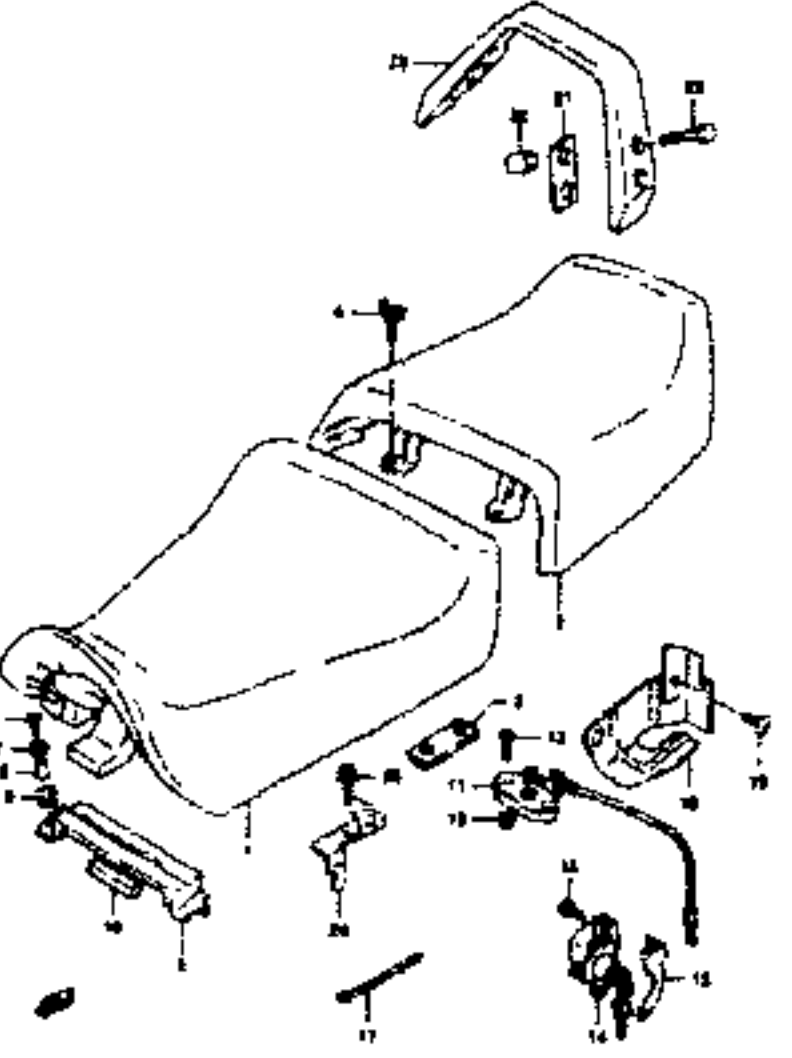
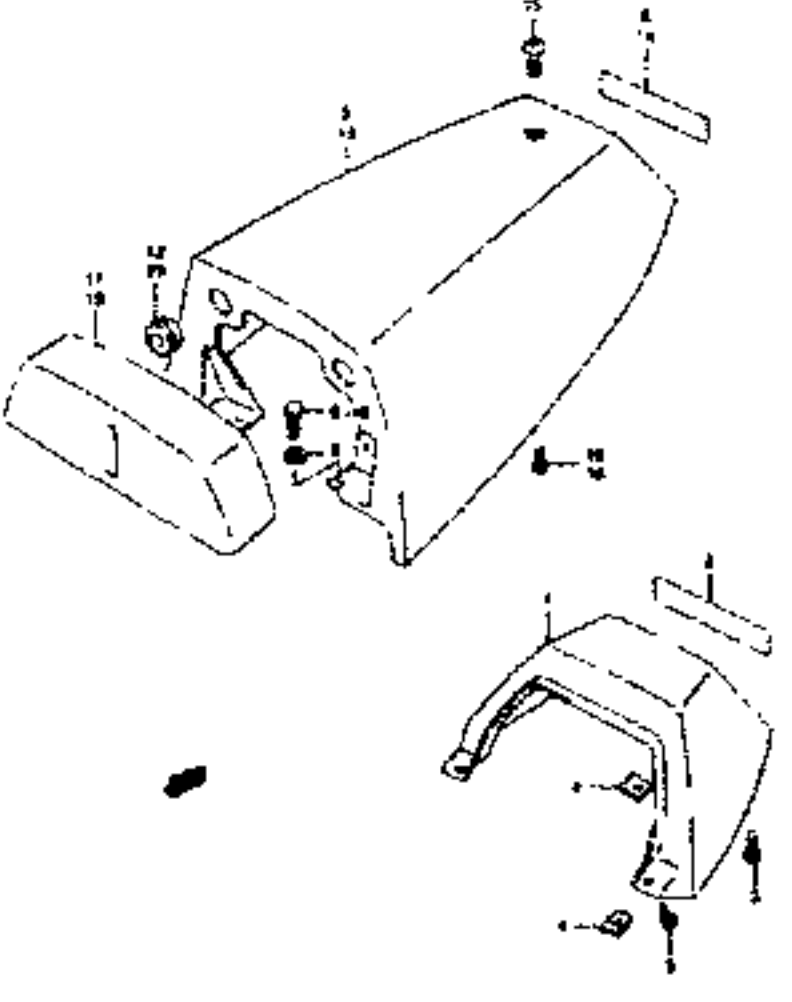
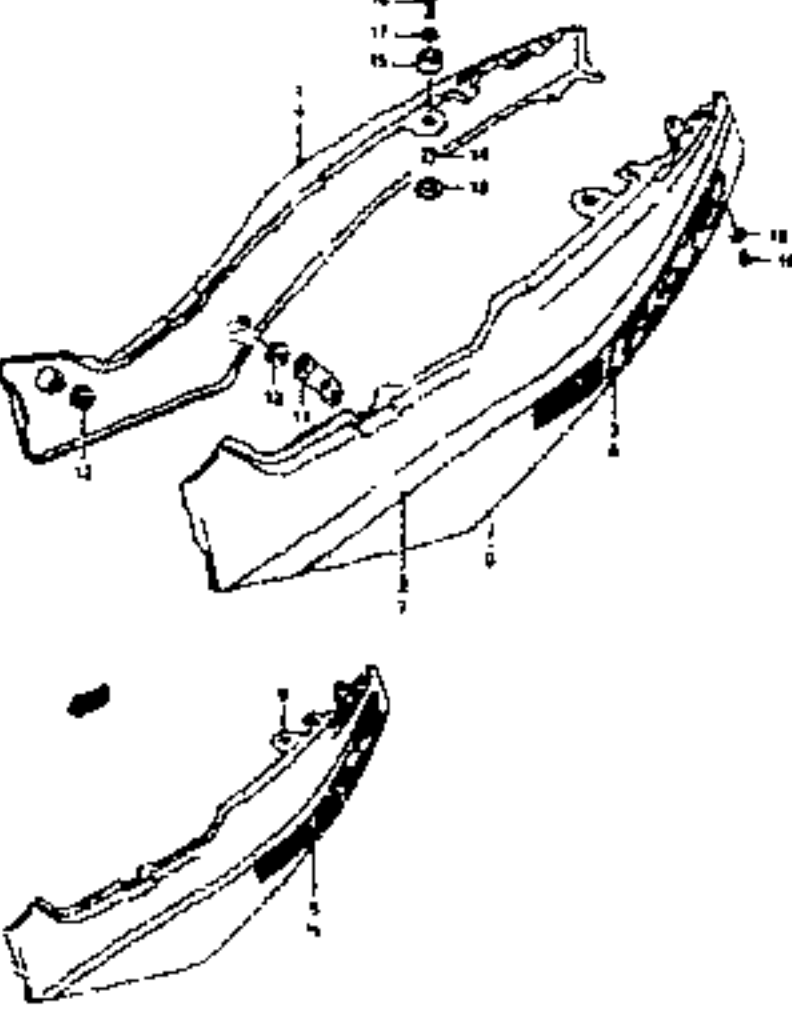
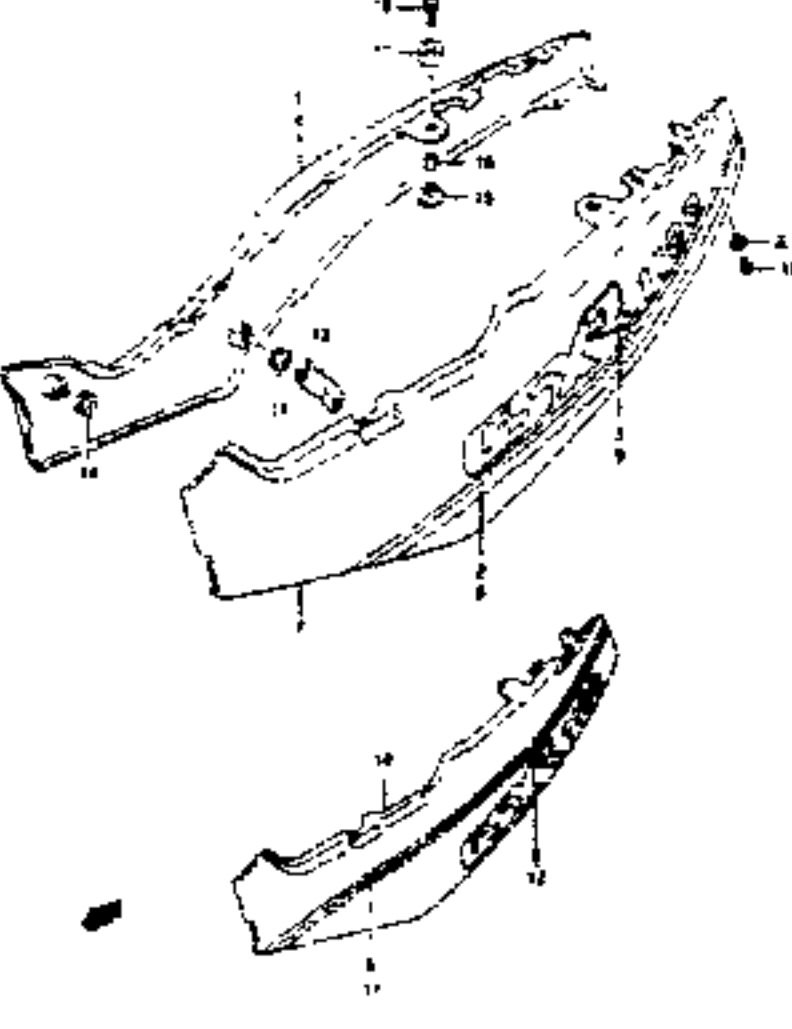


REF.NO.	PART NO.	DESCRIPTION	Q'TY	REMARKS
22	37740-04A10	SWITCH ASSY, stop lamp	1	
23	09443-06012	SPRING	1	
24-1	43251-17C00	BRACKET, switch	1	model K
24-2	43251-17C01	BRACKET, switch	1	model L
25	09139-06027	BOLT	1	
26	37840-17C01	SWITCH, side stand warning	1	
27	02112-36165	SCREW	2	
28	38740-24B10	RELAY ASSY. side stand	1	
29	38500-40C00	HORN ASSY	1	
30	01517-06108	BOLT	2	
31	37146-03A80	KEY, blank	1	OPT

GSX-R1100L E28

GSX-R1100L E28

AIR CLEANER.....C-7	CLUTCH HOSE.....H-10	CYLINDER HEAD COVER..B-2	FRONT FENDER.....G-7	HEADLAMP.....E-9	REAR FENDER.....I-6	STAND.....F-3	WIRING HARNESS..E-12
ALTERNATOR.....E-3	CLUTCH MASTER CYL..H-9	ELECTRICAL.....E-7	FRONT MASTER CYL..H-8	MUFFLER.....C-8	REAR MASTER CYL..i-11	STARTER CLUTCH..B-11	
BATTERY.....E-6	COWLING.....J-4	FOOTREST.....F-4	FRONT WHEEL.....G-9	OIL COOLER.....C-9	REAR SWING ARM...i-2	STARTING MOTOR..E-2	SERIAL FRAME NUMBER
CAM CHAIN.....C-3	CRANKCASE.....B-5	FRAME.....F-2	FUEL COCK.....F-8	OIL PAN.....B-8	REAR WHEEL.....i-8	STEERING DAMPER..G-6	GSX-R1100K : JSIGV73A K2100001~
CAM SHAFT.....C-2	CRANKCASE COVER..B-7	FRAME COVER.....F-11	FUEL TANK.....F-6	OIL PUMP.....B-9	SEAT.....F-9	STEERING STEM...G-4	GSX-R1100L : JSIGV73A L2100001~
CARBURETOR.....C-4	CRANKSHAFT.....B-10	FRONT BRAKE HOSE...H-6	GEAR SHIFT.....D-3	OPTIONAL.....J-10	SEAT TAIL COVER..F-10	TAIL LAMP.....E-11	
CARBURETOR FITT..C-6	CYLINDER.....B-4	FRONT CALIPERS.....H-5	HANDLE SWI.....H-4	REAR CALIPER.....i-10	SIGNAL GENERATOR..E-5	TRANSMISSION....D-3	
CLUTCH.....D-2	CYLINDER HEAD.....B-3	FRONT DAMPER.....G-2	HANDLEBAR.....H-2	REAR CUSHION LEVER..i-4	SPEEDOMETER.....E-8	TURN SIGNAL LAMP..E-10	

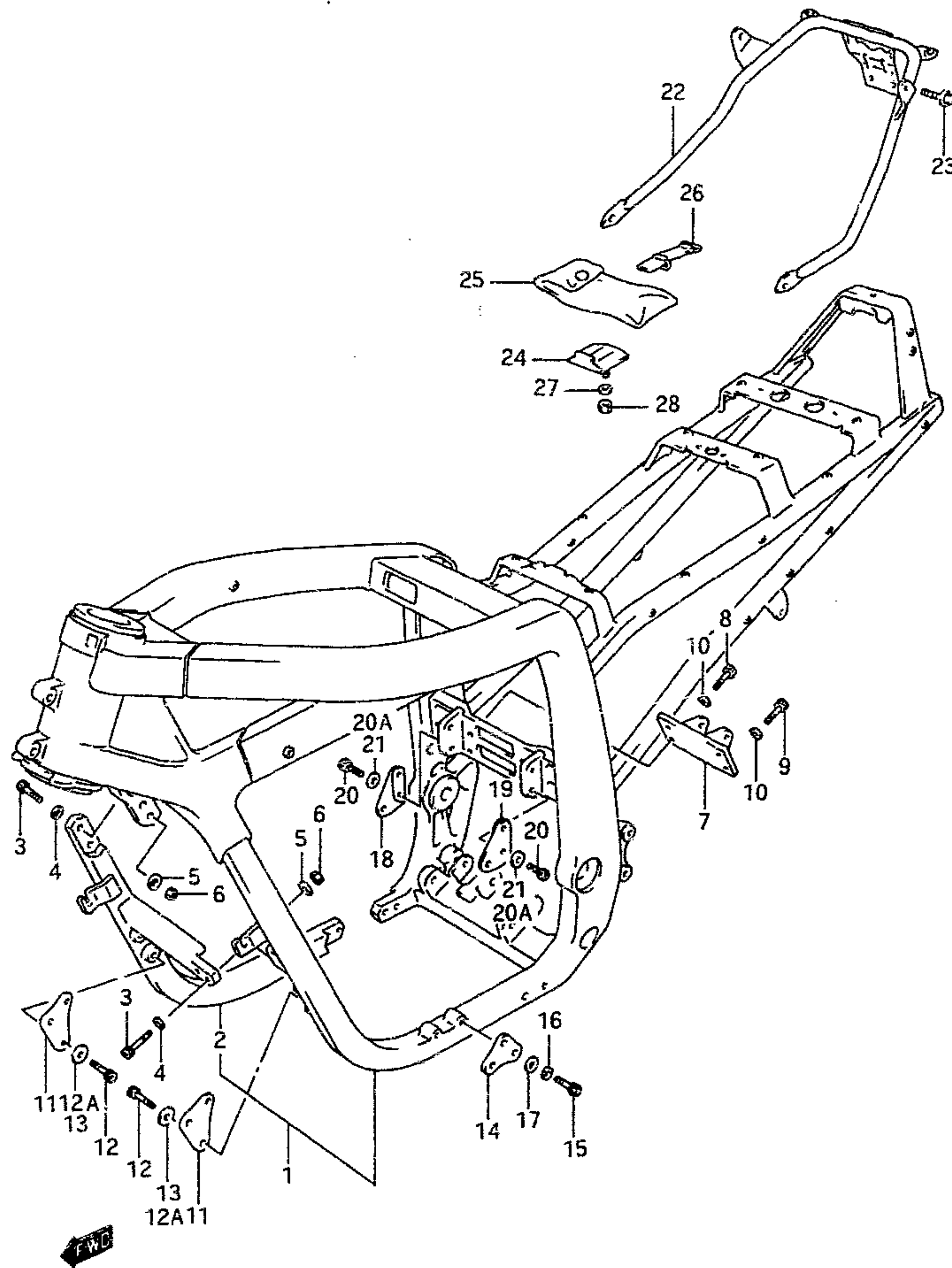
<p>FRAME</p> 	<p>F-2 STAND</p> 	<p>F-3 FOOTREST</p> 	<p>F-4 FUEL TANK (model K)</p> 	<p>F-6 FUEL TANK (model L)</p> 	<p>F-7 FUEL COCK</p> 
<p>SEAT</p> 	<p>F-9 SEAT TAIL COVER</p> 	<p>F-10 FRAME COVER (model K)</p> 	<p>F-11 FRAME COVER (model L)</p> 	<p>F-12</p>	

AIR CLEANER.....C-7	CLUTCH HOSE.....H-10	CYLINDER HEAD COVER..B-2	FRONT FENDER.....G-7	HEADLAMP.....E-9	REAR FENDER.....i-6	STAND.....F-3	WIRING HARNESS..E-12
ALTERNATOR.....E-3	CLUTCH MASTER CYL..H-9	ELECTRICAL.....E-7	FRONT MASTER CYL..H-8	MUFFLER.....C-8	REAR MASTER CYL..i-11	STARTER CLUTCH..B-11	
BATTERY.....E-6	COWLING.....J-4	FOOTREST.....F-4	FRONT WHEEL.....G-9	OIL COOLER.....C-9	REAR SWING ARM...i-2	STARTING MOTOR..E-2	SERIAL FRAME NUMBER
CAM CHAIN.....C-3	CRANKCASE.....B-5	FRAME.....F-2	FUEL COCK.....F-8	OIL PAN.....B-8	REAR WHEEL.....i-8	STEERING DAMPER..G-6	GSX-R1100K : JSIGV73A K2100001~
CAM SHAFT.....C-2	CRANKCASE COVER...B-7	FRAME COVER.....F-11	FUEL TANK.....F-6	OIL PUMP.....B-9	SEAT.....F-9	STEERING STEM...G-4	GSX-R1100L : JSIGV73A L2100001~
CARBURETOR.....C-4	CRANKSHAFT.....B-10	FRONT BRAKE HOSE...H-6	GEAR SHIFT.....D-5	OPTIONAL.....J-10	SEAT TAIL COVER..F-10	TAIL LAMP.....E-11	
CARBURETOR FITT..C-6	CYLINDER.....B-4	FRONT CALIPERS.....H-5	HANDLE SWI.....H-4	REAR CALIPER.....i-10	SIGNAL GENERATOR..E-5	TRANSMISSION....D-3	
CLUTCH.....D-2	CYLINDER HEAD.....B-3	FRONT DAMPER.....G-2	HANDLEBAR.....H-2	REAR CUSHION LEVER..i-4	SPEEDOMETER.....E-8	TURN SIGNAL LAMP..E-10	

FIG. 29

F - 2

FIG. 29 (F- 2) FRAME



REF.NO.	PART NO.	DESCRIPTION	Q'TY	REMARKS
1-1	41100-40810	FRAME SET	1	model K
1-2	41100-40840	FRAME SET	1	model L
2-1	41140-40C00	.TUBE, frame down RH	1	model K
2-2	41140-40C30	.TUBE, frame down Rn	1	model L
3	07110-10357	.BOLT	6	
4	09160-10013	.WASHER	6	
5	09164-10005	.WASHER	6	
6	09159-10027	.NUT	6	
7	41384-40C00	BRACKET, rear cushion unit	1	model K
8	09106-10017	BOLT, No.1	2	model K
9	07110-10357	BOLT, No.2	2	model K
10	09164-10005	WASHER	4	model K
11	41911-40C00	PLATE, engine mount No.1	2	
12	07110-08257	BOLT	4	
12A	08321-31087	LOCK WASHER	4	
13	09160-08010	WASHER (8.2x20x1.6)	4	
14	41921-17C02	PLATE, engine mount No.2	2	
15	07110-08257	BOLT	4	
16	08321-31087	LOCK WASHER	4	
17	09160-08010	WASHER (8.2x20x1.6)	4	
18	41940-40C01	PLATE, engine mount No.3 Rh	1	
19	41950-40C01	PLATE, engine mount No.3 LH	1	
20	09106-08005	BOLT	4	
20A	08321-31087	LOCK WASHER	4	
21	09160-08010	WASHER	4	
22-1	43980-17C10	GRIP, rear	1	model K
22-2	43980-40C40	GRIP, rear	4	model L
23	01517-08207	BOLT	2	
24	41550-49200	HOLDER, tool	1	
25-1	09800-20026	TOOL ASSY	1	model K
25-2	09800-20032	TOOL ASSY	1	model L
26	09462-00072	BAND, tool	1	
27	09160-06006	WASHER	2	
28	08319-21068	NUT	2	

GSX-R1100L E28

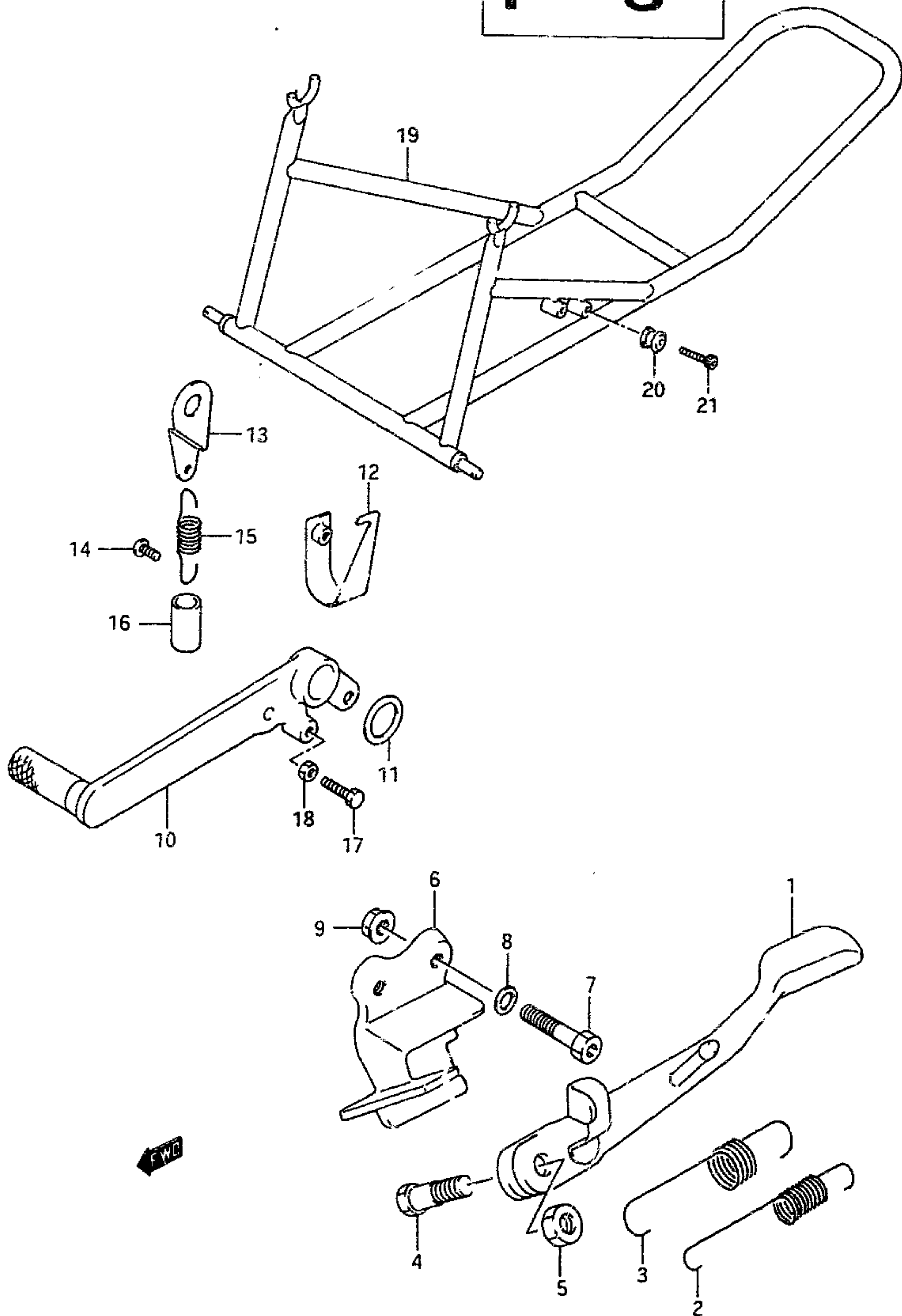
GSX-R1100L E28

AIR CLEANER.....C-7	CLUTCH HOSE.....H-10	CYLINDER HEAD COVER..B-2	FRONT FENDER.....G-7	HEADLAMP.....E-9	REAR FENDER.....i-6	STAND.....F-3	WIRING HARNESS..E-12
ALTERNATOR.....E-3	CLUTCH MASTER CYL..H-9	ELECTRICAL.....E-7	FRONT MASTER CYL..H-8	MUFFLER.....C-8	REAR MASTER CYL..i-11	STARTER CLUTCH..B-11	
BATTERY.....E-6	COWLING.....J-4	FOOTREST.....F-4	FRONT WHEEL.....G-9	OIL COOLER.....C-9	REAR SWING ARM...i-2	STARTING MOTOR..E-2	SERIAL FRAME NUMBER
CAM CHAIN.....C-3	CRANKCASE.....B-5	FRAME.....F-2	FUEL COCK.....F-8	OIL PAN.....E-8	REAR WHEEL.....i-8	STEERING DAMPER..G-6	GSX-R1100K : JSIGV73A K2100001~
CAM SHAFT.....C-2	CRANKCASE COVER..B-7	FRAME COVER.....F-11	FUEL TANK.....F-6	OIL PUMP.....B-9	SEAT.....F-9	STEERING STEM...G-4	GSX-R1100L : JSIGV73A L2100001~
CARBURETOR.....C-4	CRANKSHAFT.....B-10	FRONT BRAKE HOSE...H-6	GEAR SHIFT.....D-5	OPTIONAL.....J-10	SEAT TAIL COVER..F-10	TAIL LAMP.....E-11	
CARBURETOR FITT..C-6	CYLINDER.....B-4	FRONT CALIPERS.....H-5	HANDLE SWH-4	REAR CALIPER.....i-10	SIGNAL GENERATOR..E-5	TRANSMISSION.....D-3	
CLUTCH.....D-2	CYLINDER HEAD.....B-3	FRONT DAMPER.....G-2	HANDLEBAR.....H-2	REAR CUSHION LEVER..i-4	SPEEDOMETER.....E-8	TURN SIGNAL LAMP..E-10	

FIG. 30

F - 3

FIG. 30 (F- 3) STAND



Q'TY

REMARKS

REF.NO.	PART NO.	DESCRIPTION	Q'TY	REMARKS
1-1	42310-40C00	STAND, prop	1	model K
1-2	42310-40C30	STAND, prop	1	model L
2	09443-14058	SPRING, inner	1	
3	09443-19011	SPRING, outer	1	
4	09111-10036	BOLT	1	
5	08310-22107	NUT	1	
6-1	42330-40C10	BRACKET, prop stand	1	model K
6-2	42330-40C20	BRACKET, prop stand	1	model L
7	07110-08358	BOLT	2	
8	09164-08015	WASHER	2	
9	08316-16088	NUT	2	
10-1	43110-17C02	PEDAL, brake	1	model K
10-2	43110-17C03	PEDAL, brake	1	model L
11	09160-18022	WASHER	1	
12	43561-17C01	PLATE, brake pedal	1	
13-1	43563-17C00	BRACKET, stop switch lower	1	model K
13-2	43563-17C01	BRACKET, stop switch lower	1	model L
14	09139-06027	BOLT	1	
15	09443-13018	SPRING	1	
16	43261-17C00	TUBE, spring	1	
17	01104-05206	BOLT	1	
18	08310-11058	NUT	1	
19	42100-17C00	STAND ASSY, rear	1	OPT
20	61165-27A30	HOLDER, stand	2	OPT
21	07110-08305	BOLT	2	OPT

GSX-R1100L E28

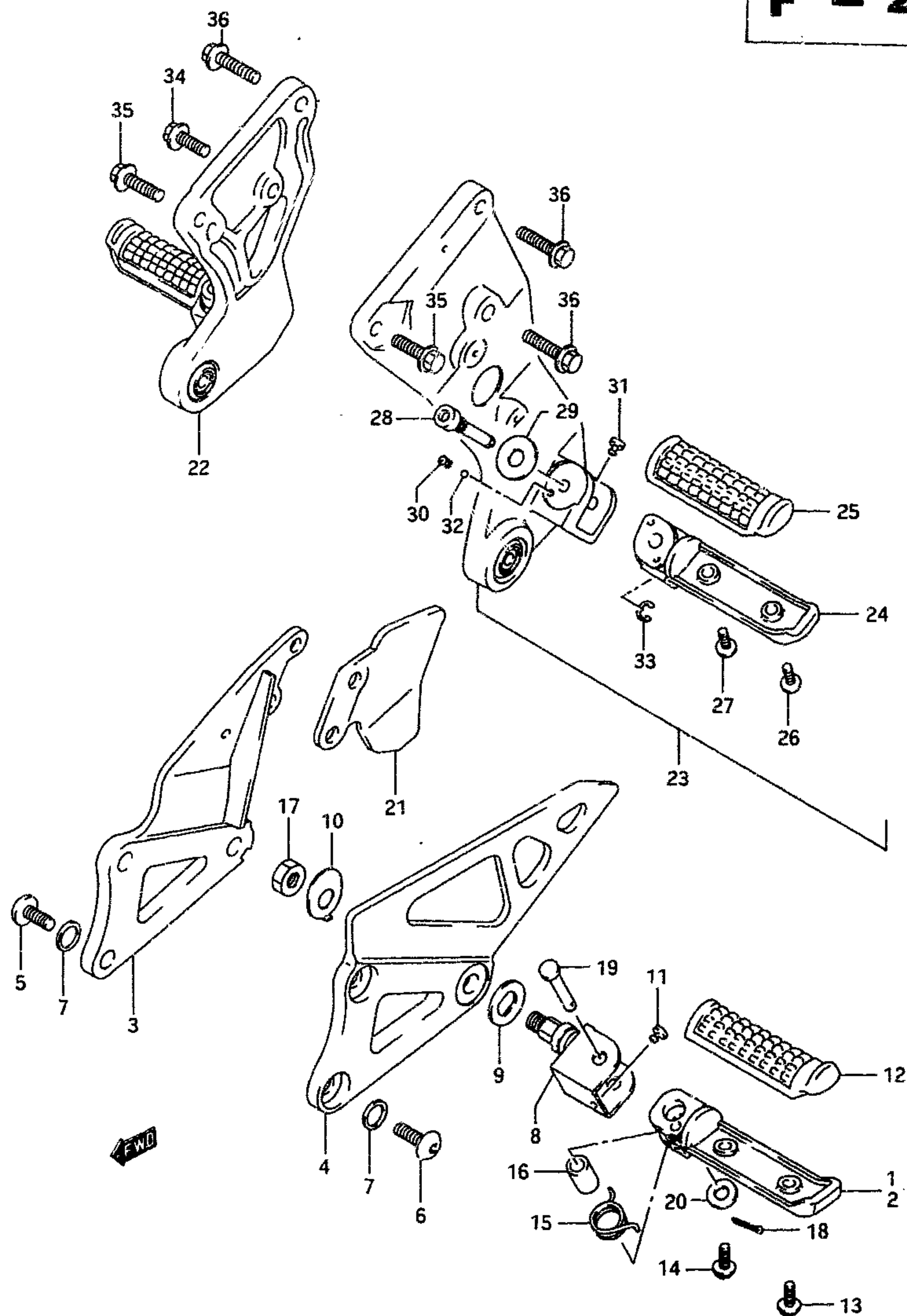
GSX-R1100L E28

AIR CLEANER.....C-7	CLUTCH HOSE.....H-10	CYLINDER HEAD COVER..B-2	FRONT FENDER.....G-7	HEADLAMP.....E-9	REAR FENDER.....I-6	STAND.....F-3	WIRING HARNESS..E-12
ALTERNATOR.....E-3	CLUTCH MASTER CYL..H-9	ELECTRICAL.....E-7	FRONT MASTER CYL..H-8	MUFFLER.....C-8	REAR MASTER CYL..I-11	STARTER CLUTCH..B-11	
BATTERY.....E-6	COWLING.....J-4	FOOTREST.....F-4	FRONT WHEEL.....G-9	OIL COOLER.....C-9	REAR SWING ARM...I-2	STARTING MOTOR..E-2	SERIAL FRAME NUMBER
CAM CHAIN.....C-3	CRANKCASE.....B-5	FRAME.....F-2	FUEL COCK.....F-8	OIL PAN.....B-8	REAR WHEEL.....I-8	STEERING DAMPER..G-6	GSX-R1100K : JS1GV73A K2100001~
CAM SHAFT.....C-2	CRANKCASE COVER...B-7	FRAME COVER.....F-11	FUEL TANK.....F-5	OIL PUMP.....E-9	SEAT.....F-9	STEERING STEM...G-4	GSX-R1100L : JS1GV73A L2100001~
CARBURETOR.....C-4	CRANKSHAFT.....B-10	FRONT BRAKE HOSE...H-6	GEAR SHIFT.....D-5	OPTIONAL.....J-10	SEAT TAIL COVER..F-10	TAIL LAMP.....E-11	
CARBURETOR FITT..C-6	CYLINDER.....B-4	FRONT CALIPERS.....H-5	HANDLE SWI.....H-4	REAR CALIPER.....I-10	SIGNAL GENERATOR..E-5	TRANSMISSION....D-3	
CLUTCH.....D-2	CYLINDER HEAD.....B-3	FRONT DAMPER.....G-2	HANDLEBAR.....H-2	REAR CUSHION LEVER..I-4	SPEEDOMETER.....E-8	TURN SIGNAL LAMP..E-10	

FIG.31

F - 4

FIG.31 (F-4) FOOTREST



REF.NO.	PART NO.	DESCRIPTION	Q'TY	REMARKS
1	43511-40C00	BAR, front footrest RH	1	
2	43521-40C00	BAR, front footrest LH	1	
3-1	43510-17C03	BRACKET, footrest RH	1	model K
3-2	43511-17D00	BRACKET, FOOTREST RH	1	model L
4-1	43522-17C02	BRACKET, footrest LH	1	model K
4-2	43522-17D00	BRACKET, footrest LH	1	model L
5	43529-40C00	BOLT, RH	2	
6	43529-17C10	BOLT, LH	2	
7	09164-10005	WASHER	4	
8	43530-40C00	BOSS, front footrest	2	
9	43213-17C01	PLATE, front footrest	2	
10	43214-17C01	WASHER, front footrest	2	
11	43541-40C00	CUSHION, footrest	2	
12-1	43550-40C10	RUBBER, footrest	2	model K
12-2	43550-40C11	RUBBER, footrest	2	model L
13	02112-75168	SCREW, outer	2	
14	02112-75208	SCREW, inner	2	
15	09448-19020	SPRING	2	
16	09180-08149	SPACER, front footrest	2	
17	08310-22127	NUT, front footrest	2	
18	04111-25158	COTTER PIN	2	
19	09200-08057	PIN	2	
20	08322-11088	WASHER	2	
21-1	43586-40C00	GUARD, front footrest RH	1	model K
21-2	43586-40C01	GUARD, front footrest RH	1	model L
22	43600-40C00	FOOTREST ASSY, pillion RH	1	
23	43700-40C00	FOOTREST ASSY, pillion LH	1	
24-1	43610-40C00	.BAR, RH	1	
24-2	43620-40C00	.BAR, LH	1	
25-1	43550-40C10	.RUBBER	2	model K
25-2	43550-40C11	.RUBBER	2	model L
26	02112-75168	.SCREW, outer	2	
27	02112-75208	.SCREW, inner	2	

GSX-R1100L E28

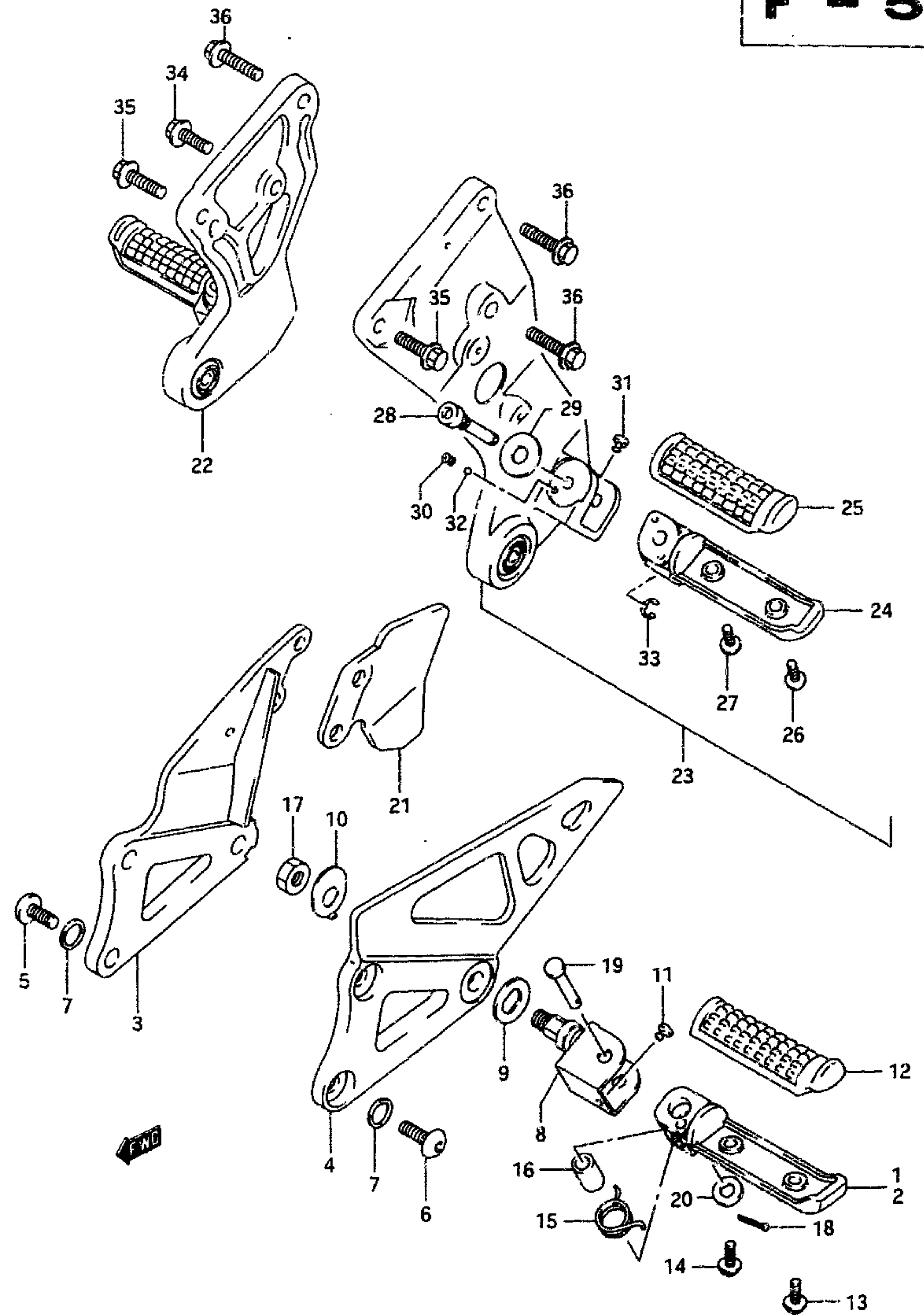
GSX-R1100L E28

AIR CLEANER.....C-7	CLUTCH HOSE.....H-10	CYLINDER HEAD COVER..B-2	FRONT FENDER.....G-7	HEADLAMP.....E-9	REAR FENDER.....I-6	STAND.....F-3	WIRING HARNESS..E-12
ALTERNATOR.....E-3	CLUTCH MASTER CYL..H-9	ELECTRICAL.....E-7	FRONT MASTER CYL..H-8	MUFFLER.....C-8	REAR MASTER CYL..I-11	STARTER CLUTCH..B-11	
BATTERY.....E-6	COWLING.....J-4	FOOTREST.....F-4	FRONT WHEEL.....G-9	OIL COOLER.....C-9	REAR SWING ARM...I-2	STARTING MOTOR..E-2	SERIAL FRAME NUMBER
CAM CHAIN.....C-3	CRANKCASE.....B-5	FRAME.....F-2	FUEL COCK.....F-8	OIL PAN.....B-8	REAR WHEEL.....I-8	STEERING DAMPER..G-6	GSX-R1100K : JS1GV73A K2100001~
CAM SHAFT.....C-2	CRANKCASE COVER..B-7	FRAME COVER.....F-11	FUEL TANK.....F-6	OIL PUMP.....B-9	SEAT.....F-9	STEERING STEM...G-4	GSX-R1100L : JS1GV73A L2100001~
CARBURETOR.....C-4	CRANKSHAFT.....B-10	FRONT BRAKE HOSE...H-6	GEAR SHIFT.....D-5	OPTIONAL.....J-10	SEAT TAIL COVER..F-10	TAIL LAMP.....E-11	
CARBURETOR FITT..C-6	CYLINDER.....B-4	FRONT CALIPERS.....H-5	HANDLE SWI.....H-4	REAR CALIPER.....I-10	SIGNAL GENERATOR..E-5	TRANSMISSION....D-3	
CLUTCH.....D-2	CYLINDER HEAD....B-3	FRONT DAMPER.....G-2	HANDLEBAR.....H-2	REAR CUSHION LEVER..I-4	SPEEDOMETER.....E-8	TURN SIGNAL LAMP..E-10	

FIG. 31

F - 5

FIG. 31 (F- 5) FOOTREST



REF. NO.	PART NO.	DESCRIPTION	Q'TY	REMARKS
28	43642-40C00	.BOLT	2	
29	09160-10031	.PLATE	2	
30	09440-05003	.SPRING	2	
31	43541-40C00	.CUSHION, footrest	2	
32	06111-07004	.BALL	2	
33	08332-11068	.E RING	2	
34	01517-08205	BOLT	1	
35	01517-08254	BOLT	2	
36	01517-08304	BOLT	3	

GSX-R1100L E28

GSX-R1100L E28

AIR CLEANER.....C-7	CLUTCH HOSE.....H-10	CYLINDER HEAD COVER..B-2	FRONT FENDER.....G-7	HEADLAMP.....E-9	REAR FENDER.....I-6	STAND.....F-3	WIRING HARNESS..E-12
ALTERNATOR.....E-3	CLUTCH MASTER CYL..H-9	ELECTRICAL.....E-7	FRONT MASTER CYL..H-8	MUFFLER.....C-8	REAR MASTER CYL..I-11	STARTER CLUTCH..B-11	
BATTERY.....E-6	COWLING.....J-4	FOOTREST.....F-4	FRONT WHEEL.....G-9	OIL COOLER.....C-9	REAR SWING ARM...I-2	STARTING MOTOR..E-2	SERIAL FRAME NUMBER
CAM CHAIN.....C-3	CRANKCASE.....B-5	FRAME.....F-2	FUEL COCK.....F-8	OIL PAN.....B-8	REAR WHEEL.....I-8	STEERING DAMPER..G-6	GSX-R1100K : JSIGV73A K2100001~
CAM SHAFT.....C-2	CRANKCASE COVER..B-7	FRAME COVER.....F-11	FUEL TANK.....F-6	OIL PUMP.....B-9	SEAT.....F-5	STEERING STEM...G-4	GSX-R1100L : JSIGV7JA L2100001~
CARBURETOR.....C-4	CRANKSHAFT.....B-10	FRONT BRAKE HOSE...H-6	GEAR SHIFT.....D-5	OPTIONAL.....J-10	SEAT TAIL COVER..F-10	TAIL LAMP.....E-11	
CARBURETOR FITT..C-6	CYLINDER.....B-4	FRONT CALIPERS.....H-5	HANDLE SWI.....H-4	REAR CALIPER.....I-10	SIGNAL GENERATOR..E-5	TRANSMISSION....D-3	
CLUTCH.....D-2	CYLINDER HEAD.....B-3	FRONT DAMPER.....G-2	HANDLEBAR.....H-2	REAR CUSHION LEVER..I-4	SPEEDOMETER.....E-8	TURN SIGNAL LAMP..E-10	

FIG. 32

F - 6

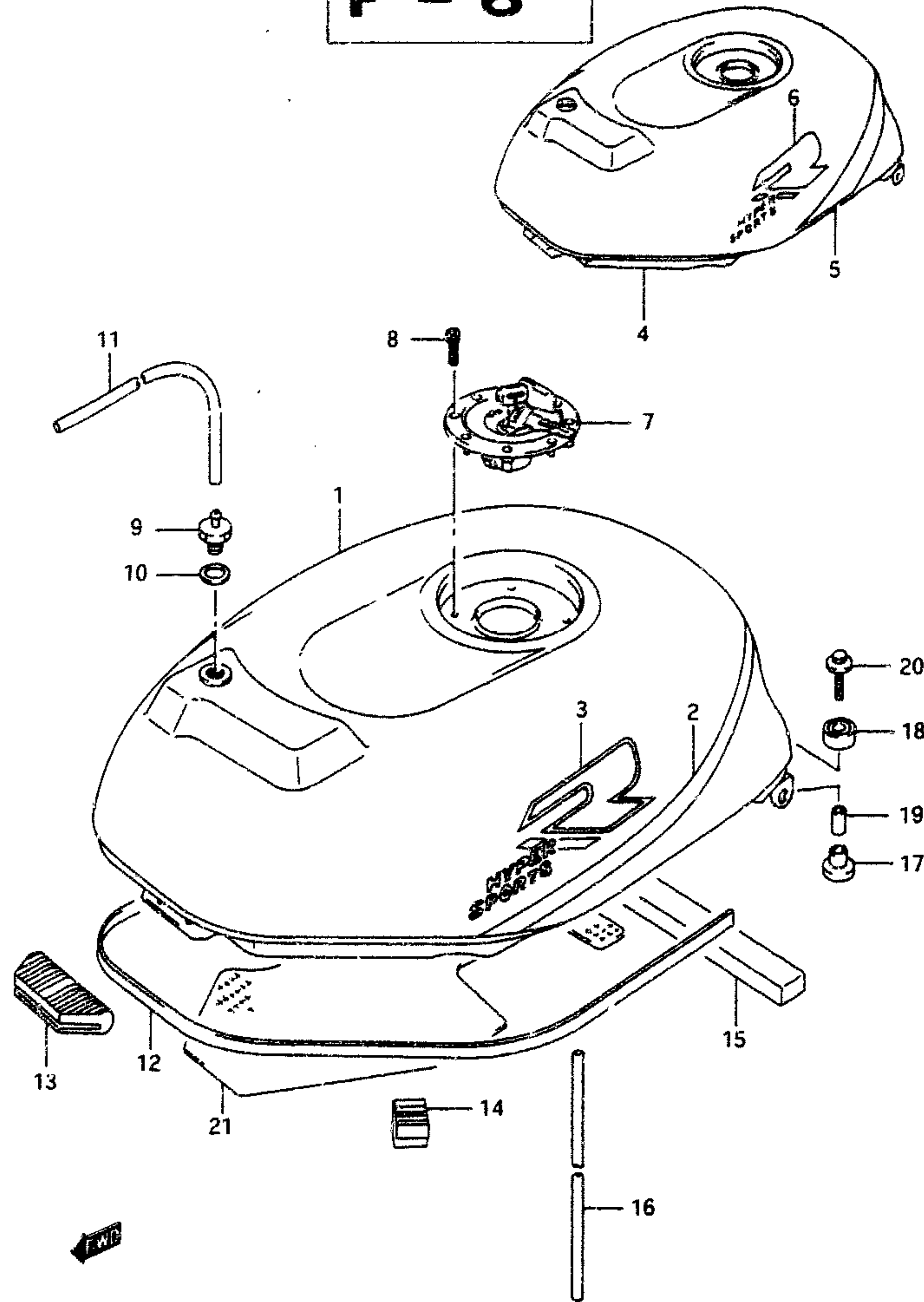


FIG. 32 (F- 6) FUEL TANK (model K)

REF.NO.	PART NO.	DESCRIPTION	Q'TY	REMARKS
1	44100-40C00-9SR	TANK ASSY, fuel	1	
2	68115-40C00-39K	.TAPE, fuel tank (Blue)	1	for 9SR
3	68111-06B00-2GS	.EMBLEM	2	for 9SR
4	44100-40C10-3EE	TANK ASSY, fuel	1	
5	68115-40C10-0GC	.TAPE, fuel tank	1	for 3EE
6	68111-40C00-2YL	.EMBLEM	2	for 3EE
7	44200-19C20-KEY	CAP ASSY, fuel tank	1	
8	09106-05017	BOLT	4	
9	44240-06B10	PLUG, breather	1	
10	09168-12012	GASKET	1	
11	09352-50823-370	HOSE, breather	1	
12	68241-27A00	MOLDING, fuel tank	1	
13	44511-17C00	CUSHION, front	1	
14	44545-40C00	CUSHION, side	2	
15	44151-17C00	CUSHION, air seal	1	
16	09352-50823-730	HOSE, water drain	1	
17	09320-10038	CUSHION, lower	2	
18	09320-14017	CUSHION, upper	2	
19	09180-06072	SPACER	2	
20	09116-06097	BOLT	2	
21	44191-17C01	HEAT SHIELD, fuel tank	1	

Refer to FIG.32A(F-7) for model L.

GSX-R1100L E28

GSX-R1100L E28

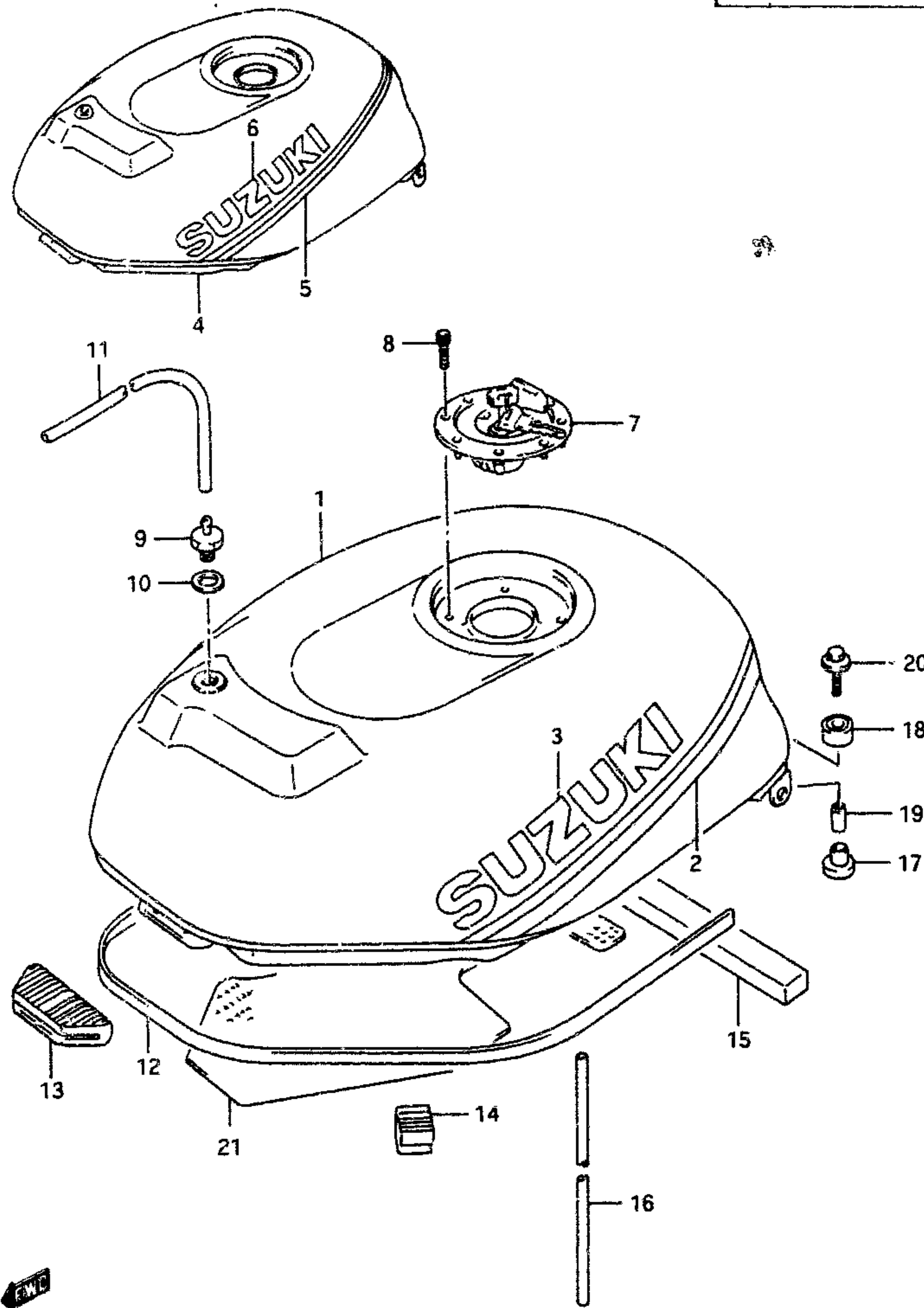
AIR CLEANER.....C-7	CLUTCH HOSE.....H-10	CYLINDER HEAD COVER..B-2	FRONT FENDER.....G-7	HEADLAMP.....E-9	REAR FENDER.....i-6	STAND.....F-3	WIRING HARNESS..E-12
ALTERNATOR.....E-3	CLUTCH MASTER CYL..H-9	ELECTRICAL.....E-7	FRONT MASTER CYL..H-8	MUFFLER.....C-8	REAR MASTER CYL..i-11	STARTER CLUTCH..E-11	
BATTERY.....E-6	COWLING.....J-4	FOOTREST.....F-4	FRONT WHEEL.....G-9	OIL COOLER.....C-9	REAR SWING ARM..i-2	STARTING MOTOR..E-2	SERIAL FRAME NUMBER
CAM CHAIN.....C-3	CRANKCASE.....B-5	FRAME.....F-2	FUEL COCK.....F-8	OIL PAN.....B-8	REAR WHEEL.....i-8	STEERING DAMPER..G-6	GSX-R1100K : JS1GV73A K2100001~
CAM SHAFT.....C-2	CRANKCASE COVER..B-7	FRAME COVER.....F-11	FUEL TANK.....F-6	OIL PUMP.....B-9	SEAT.....F-9	STEERING STEM..G-4	GSX-R1100L : JS1GV73A L2100001~
CARBURETOR.....C-4	CRANKSHAFT.....B-10	FRONT BRAKE HOSE...H-6	GEAR SHIFT.....D-5	OPTIONAL.....J-10	SEAT TAIL COVER..F-10	TAIL LAMP.....E-11	
CARBURETOR FITT..C-6	CYLINDER.....B-4	FRONT CALIPERS.....H-5	HANDLE SWI.....H-4	REAR CALIPER.....i-10	SIGNAL GENERATOR..E-5	TRANSMISSION....D-3	
CLUTCH.....D-2	CYLINDER HEAD.....B-3	FRONT DAMPER.....G-2	HANDLEBAR.....H-2	REAR CUSHION LEVER..i-4	SPEEDOMETER.....E-8	TURN SIGNAL LAMP..E-10	

FIG. 32A

F - 7

41

FIG.32A(F- 7) FUEL TANK (model L)



REF.NO.	PART NO.	DESCRIPTION	Q'TY	REMARKS
1	49100-40C20-3SH	TANK ASSY, fuel	1	
2	68115-40C30-3SM	.TAPE, fuel tank	1	for 3SH
3	68111-43400-0NE	.EMBLEM (Blue)	2	for 3SH
4	49100-40C71-3CG	TANK ASSY, fuel	1	
5	68115-17D11-3CG	.TAPE, fuel tank	1	for 3CG
6	68111-12C00-742	.EMBLEM (Silver)	2	for 3CG
7	44201-01851	CAP SET, fuel tank	1	
8	09106-05017	BOLT	4	
9	44240-06810	PLUG, breather	1	
10	09168-12012	GASKET	1	
11	09352-50823-600	HOSE, breather (L:600→370)	1	
12	68241-27A00	MOLDING, fuel tank	1	
13	44511-17C00	CUSHION, front	1	
14	44545-40C00	CUSHION, side	2	
15	44151-17C00	CUSHION, air seal	1	
16	09352-50823-00A	HOSE, water drain (L:1000→730)	1	
17	09320-10038	CUSHION, lower	2	
18	09320-14017	CUSHION, upper	2	
19	09180-06072	SPACER	2	
20	09116-06097	BOLT	2	
21	44191-17C01	HEAT SHIELD, fuel tank	1	

GSX-R1100L E28

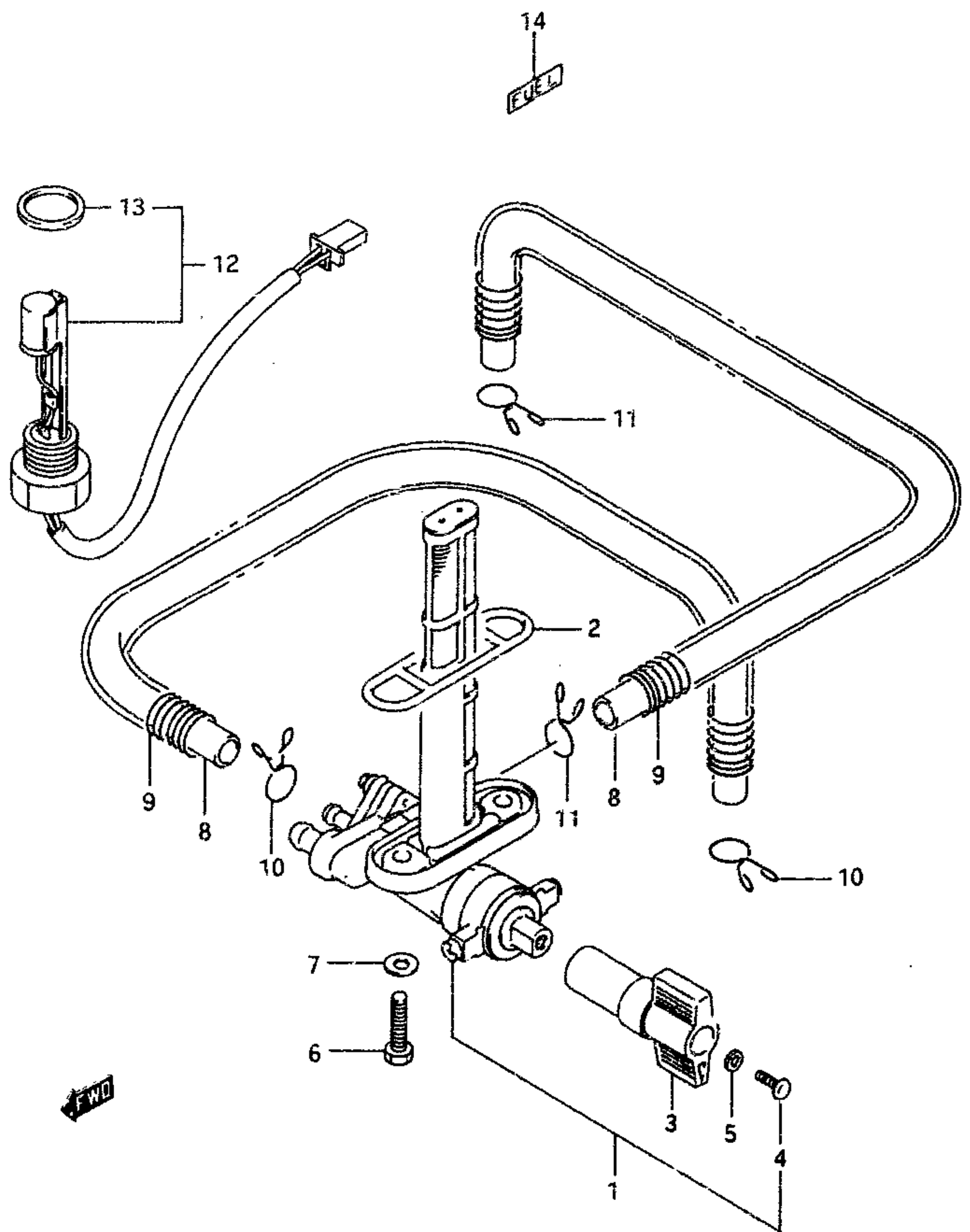
GSX-R1100L E28

AIR CLEANER.....C-7	CLUTCH HOSE.....H-10	CYLINDER HEAD COVER..B-2	FRONT FENDER.....G-7	HEADLAMP.....E-9	REAR FENDER.....i-6	STAND.....F-3	WIRING HARNESS..E-12
ALTERNATOR.....E-3	CLUTCH MASTER CYL..H-9	ELECTRICAL.....E-7	FRONT MASTER CYL..H-8	MUFFLER.....E-8	REAR MASTER CYL..i-11	STARTER CLUTCH..B-11	
BATTERY.....E-6	COWLING.....J-4	FOOTREST.....F-4	FRONT WHEEL.....G-9	OIL COOLER.....C-9	REAR SWING ARM...i-2	STARTING MOTOR..E-2	SERIAL FRAME NUMBER
CAM CHAIN.....C-3	CRANKCASE.....B-5	FRAME.....F-2	FUEL COCK.....F-8	OIL PAN.....B-8	REAR WHEEL.....i-8	STEERING DAMPER..G-6	GSX-R1100K : JS1GV73A K2100001~
CAM SHAFT.....C-2	CRANKCASE COVER..B-7	FRAME COVER.....F-11	FUEL TANK.....F-6	OIL PUMP.....B-9	SEAT.....F-9	STEERING STEM...G-4	GSX-R1100L : JS1GV73A L2100001~
CARBURETOR.....C-4	CRANKSHAFT.....B-10	FRONT BRAKE HOSE...H-6	GEAR SHIFT.....D-5	OPTIONAL.....J-10	SEAT TAIL COVER..F-10	TAIL LAMP.....E-11	
CARBURETOR FITT..C-6	CYLINDER.....B-4	FRONT CALIPERS.....H-5	HANDLE SWI.....H-4	REAR CALIPER.....i-10	SIGNAL GENERATOR..E-5	TRANSMISSION....D-3	
CLUTCH.....D-2	CYLINDER HEAD.....B-3	FRONT DAMPER.....G-2	HANDLEBAR.....H-2	REAR CUSHION LEVER..i-4	SPEEDOMETER.....E-8	TURN SIGNAL LAMP..E-10	

FIG. 33

F - 8

FIG.33 (F- 8) FUEL COCK



REF.NO.	PART NO.	DESCRIPTION	Q'TY	REMARKS
1-1	44300-17C00	COCK ASSY, fuel	1	model K
1-2	44300-17C01	COCK ASSY, fuel	1	model L
2	44305-17C00	.O RING	1	
3	44306-17C00	.LEVER	1	
4	02112-04126	.SCREW, lever	1	
5	08321-21046	.LOCK WASHER	1	
6	09128-06006	BOLT	2	
7	09168-06026	GASKET	2	
8	09352-70103-300	HOSE, fuel (L:300+270)	2	
9	09440-13047	SPRING	2	
10	09401-10402	CLIP	2	
11	09401-10201	CLIP	2	
12	34810-40C00	GAUGE ASSY, fuel level	1	
13	34825-40C00	.GASKET	1	
14	44395-17C00	LABEL, fuel	1	model K

GSX-R1100L E28

GSX-R1100L E28

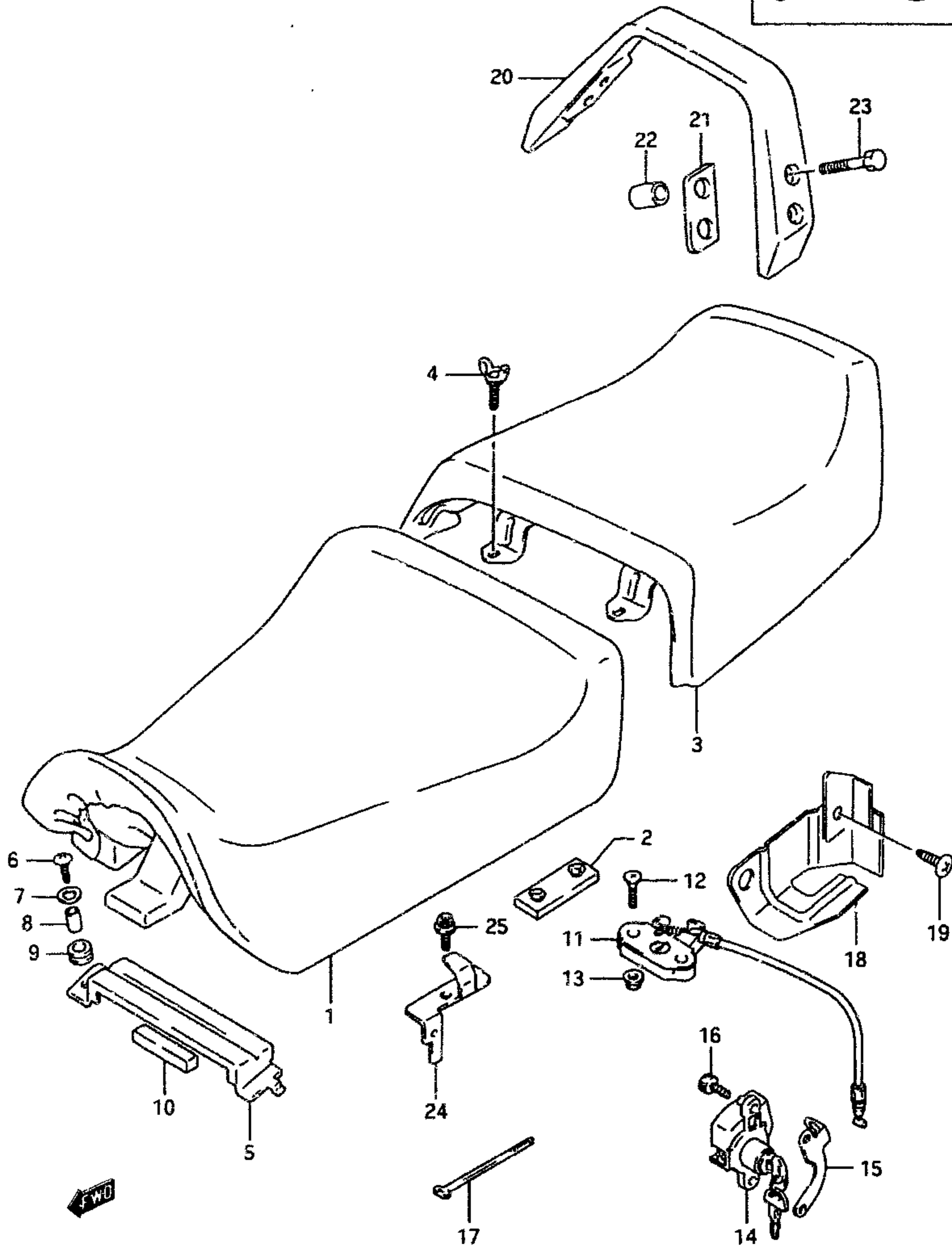
AIR CLEANER.....C-7	CLUTCH HOSE.....H-10	CYLINDER HEAD COVER..B-2	FRONT FENDER.....G-7	HEADLAMP.....E-9	REAR FENDER.....i-6	STAND.....F-3	WIRING HARNESS..E-12
ALTERNATOR.....E-3	CLUTCH MASTER CYL..H-9	ELECTRICAL.....E-7	FRONT MASTER CYL..H-8	MUFFLER.....C-8	REAR MASTER CYL...i-11	STARTER CLUTCH..B-11	
BATTERY.....E-6	COWLING.....J-4	FOOTREST.....F-4	FRONT WHEEL.....G-9	OIL COOLER.....C-9	REAR SWING ARM...i-2	STARTING MOTOR..E-2	SERIAL FRAME NUMBER
CAM CHAIN.....C-3	CRANKCASE.....B-5	FRAME.....F-2	FUEL COCK.....F-8	OIL PAN.....B-8	REAR WHEEL.....i-8	STEERING DAMPER..G-6	GSX-R1100K : JS1GV73A K2100001~
CAM SHAFT.....C-2	CRANKCASE COVER..B-7	FRAME COVER.....F-11	FUEL TANK.....F-6	OIL PUMP.....B-9	SEAT.....F-9	STEERING STEM...G-4	GSX-R1100L : JS1GV73A L2100001~
CARBURETOR.....C-4	CRANKSHAFT.....B-10	FRONT BRAKE HOSE...H-6	GEAR SHIFT.....D-5	OPTIONAL.....J-10	SEAT TAIL COVER..F-10	TAIL LAMP.....E-11	
CARBURETOR FITT..C-6	CYLINDER.....B-4	FRONT CALIPERS...H-5	HANDLE SWI.....H-4	REAR CALIPER.....i-10	SIGNAL GENERATOR..E-5	TRANSMISSION....D-3	
CLUTCH.....D-2	CYLINDER HEAD...B-3	FRONT DAMPER.....G-2	HANDLEBAR.....H-2	REAR CUSHION LEVER..i-4	SPEEDOMETER.....E-8	URNSIGNAL LAMP..E-10	

FIG. 34

F - 9

FIG.34 (F- 9) SEAT

43



REF.NO.	PART NO.	DESCRIPTION	Q'TY	REMARKS
1-1	45100-40C00-5NN	SEAT ASSY (Blue)	1	for 9SR,3SH
1-2	45100-40C00-5YN	SEAT ASSY (Red)	1	model K for 3EE
1-3	45100-40C00-58R	SEAT ASSY (Black)	1	model L for 3CG
2	09321-08009	.CUSHION	4	
3-1	45300-40C00-5NN	SEAT ASSY, pillion (Blue)	1	for 9SR,3SH
3-2	45300-40C00-5YN	SEAT ASSY, pillion (Red)	1	model K for 3EE
3-3	45300-40C00-58R	SEAT ASSY, pillion (Black)	1	model L for 3CG
4	09119-06072	BOLT, pillion seat	2	
5	45271-40C00	PLATE, seat support rear	1	
6	02142-06205	SCREW	1	
7	09160-06069	WASHER	1	
8	09180-06044	SPACER	1	
9	09320-08048	CUSHION	1	
10	45272-17C01	CUSHION, seat support plate	1	
11	45220-17C00	BRACKET, seat support rear	1	
12	02122-06255	SCREW	2	
13	08319-31067	NUT	2	
14-1	45700-19C00-KEY	LOCK ASSY, seat	1	model K
14-2	45700-19840	LOCK SET, seat	1	model L
15	45123-17C00	PLATE, seat lock	1	
16	09106-06055	BOLT	2	
17	09407-09402	CLAMP, seat lock cable	1	
18	45288-40C10	PLATE, seat lock cable	1	
19	02142-16165	SCREW	1	
20	46211-17C00	HANDLE, pillion rider	1	
21	46238-17C10	CUSHION	2	
22	09180-08078	SPACER	4	
23	07110-08505	BOLT	4	
24	95721-40C00	HOLDER, helmet	2	
25	07120-06125	BOLT	2	

GSX-R1100L E28

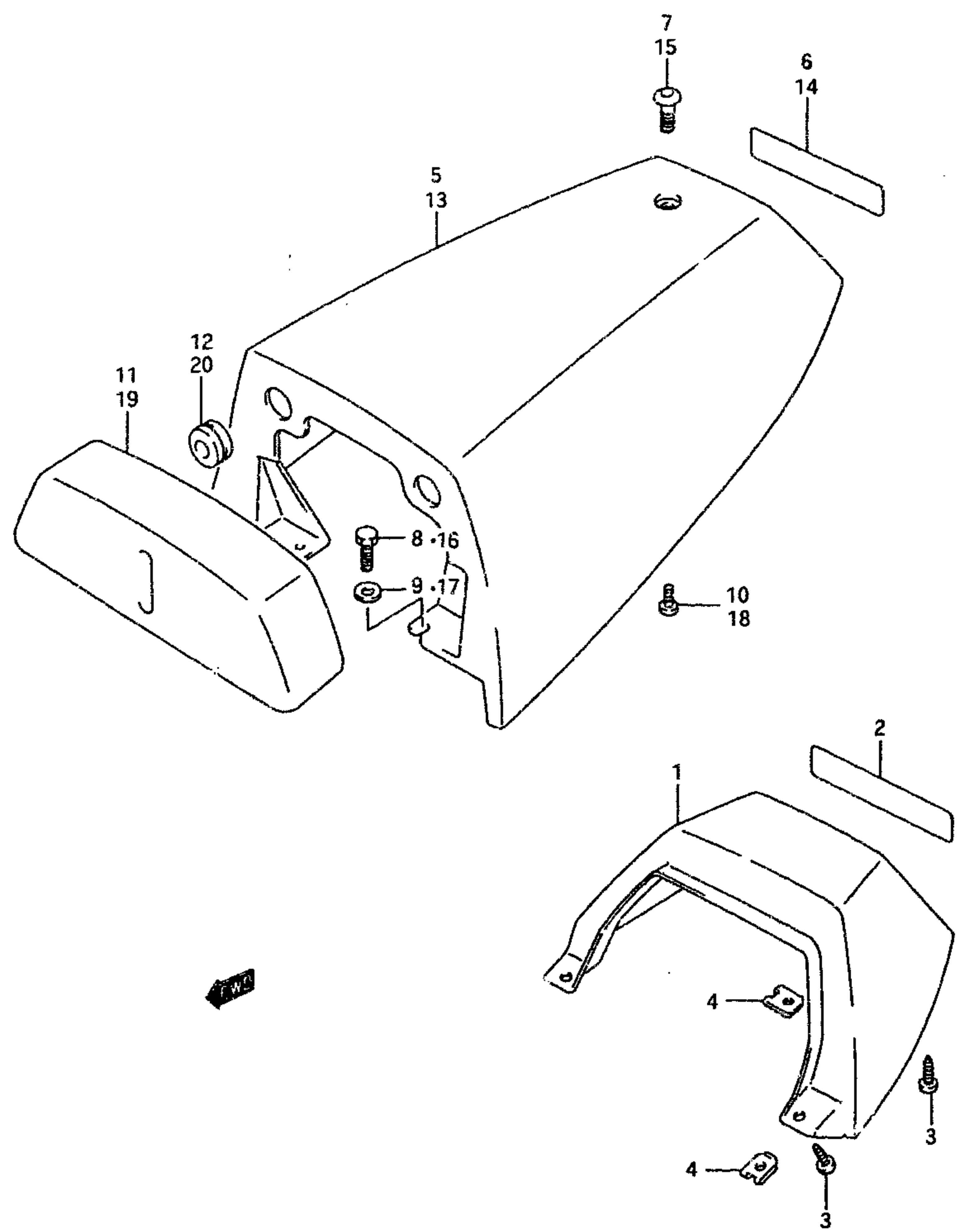
GSX-R1100L E28

AIR CLEANER.....C-7	CLUTCH HOSE.....H-10	CYLINDER HEAD COVER..B-2	FRONT FENDER.....G-7	HEADLAMP.....E-9	REAR FENDER.....I-6	STAND.....F-3	WIRING HARNESS..E-12
ALTERNATOR.....E-3	CLUTCH MASTER CYL..H-9	ELECTRICAL.....E-7	FRONT MASTER CYL..H-8	MUFFLER.....C-8	REAR MASTER CYL..i-11	STARTER CLUTCH..B-11	
BATTERY.....E-6	COWLING.....J-4	FOOTREST.....F-4	FRONT WHEEL.....G-9	OIL COOLER.....C-9	REAR SWING ARM...i-2	STARTING MOTOR..E-2	SERIAL FRAME NUMBER
CAM CHAIN.....C-3	CRANKCASE.....B-5	FRAME.....F-2	FUEL COCK.....F-8	OIL PAN.....B-8	REAR WHEEL.....i-8	STEERING DAMPER..G-6	GSX-R1100K : JSIGV73A K2100001~
CAM SHAFT.....C-2	CRANKCASE COVER...B-7	FRAME COVER.....F-11	FUEL TANK.....F-6	OIL PUMP.....B-9	SEAT.....F-9	STEERING STEM...G-4	GSX-R1100L : JSIGV73A L2100001~
CARBURETOR.....C-4	CRANKSHAFT.....B-10	FRONT BRAKE HOSE...H-6	GEAR SHIFT.....D-5	OPTIONAL.....J-10	SEAT TAIL COVER..F-10	TAIL LAMP.....E-11	
CARBURETOR FITT..C-6	CYLINDER.....B-4	FRONT CALIPERS.....H-5	HANDLE SWI.....H-4	REAR CALIPER.....i-10	SIGNAL GENERATOR..E-5	TRANSMISSION....D-3	
CLUTCH.....D-2	CYLINDER HEAD.....B-3	FRONT DAMPER.....G-2	HANDLEBAR.....H-2	REAR CUSHION LEVER..i-4	SPEEDOMETER.....E-8	TURN SIGNAL LAMP..E-10	

FIG. 35

F - 10

FIG. 35 (F-10) SEAT TAIL COVER



REF.NO.	PART NO.	DESCRIPTION	Q'TY	REMARKS
1-1	45510-40C10-33N	COVER, seat tail (Blue)	1	model K for 9SR,W/clear
1-2	45510-40C11-33N	COVER, seat tail (Blue)	1	model K for 9SR,N/clear
1-3	45510-40C10-28V	COVER, seat tail (Red)	1	model K for 3EE,W/clear
1-4	45510-40C11-28V	COVER, seat tail (Red)	1	model K for 3EE,N/clear
1-5	45510-40C12-0NE	COVER, seat tail (Blue)	1	model L for 3SH
1-6	45510-40C12-33J	COVER, seat tail (Black)	1	model L for 3CG
2-1	68166-04700-22R	.EMBLEM (White)	1	model K for 33N
2-2	68166-04700-0JW	.EMBLEM (White)	1	model L for 0NE
2-3	68166-04700-742	.EMBLEM (Silver)	1	model K for 28V model L for 33J
3	03242-05129	SCREW	4	
4	09148-05013	NUT	4	
5-1	45500-17C20-33N	BOX ASSY, seat tail (Blue)	1	model K for 9SR,W/clear
5-2	45500-17C21-33N	BOX ASSY, seat tail (Blue)	1	model K for 9SR,N/clear
5-3	45500-17C20-28V	BOX ASSY, seat tail (Red)	1	model K for 3EE,W/clear
5-4	45500-17C21-28V	BOX ASSY, seat tail (Red)	1	model K for 3EE,N/clear
6-1	68166-04700-22R	.EMBLEM (White)	1	model K for 33N
6-2	68166-04700-742	.EMBLEM (Silver)	1	model K for 28V
7	09139-06030	.SCREW, upper	1	
8	01107-06206	.BOLT, front	2	
9	08322-21066	.WASHER	2	
10	02142-05128	.SCREW, rear	2	
11-1	46220-17C10-5NN	BACKREST, seat (Blue)	1	model K for 9SR
11-2	46220-17C10-5YN	BACKREST, seat (Red)	1	model K for 3EE
12	09320-12031	CUSHION	2	
13-1	45500-17840-0NE	BOX SET, seat tail (Blue)	1	model L for 3SH
13-2	45500-17840-33J	BOX SET, seat tail (Black)	1	model L for 3CG
14-1	68166-04700-0JW	.EMBLEM (White)	1	model L for 0NE
14-2	68166-04700-742	.EMBLEM (Silver)	1	model L for 33J
15	09139-06030	.SCREW, upper	1	
16	01107-06206	.BOLT, front	2	
17	08322-21066	.WASHER	2	
18	02142-05128	.SCREW, rear	2	
19-1	46220-17C10-5NN	.BACKREST, seat (Blue)	1	model L for 0NE
19-2	46220-17C10-58R	.BACKREST, seat (Black)	1	model L for 33J
20	09320-12031	.CUSHION	2	

GSX-R1100L E28

GSX-R1100L E28

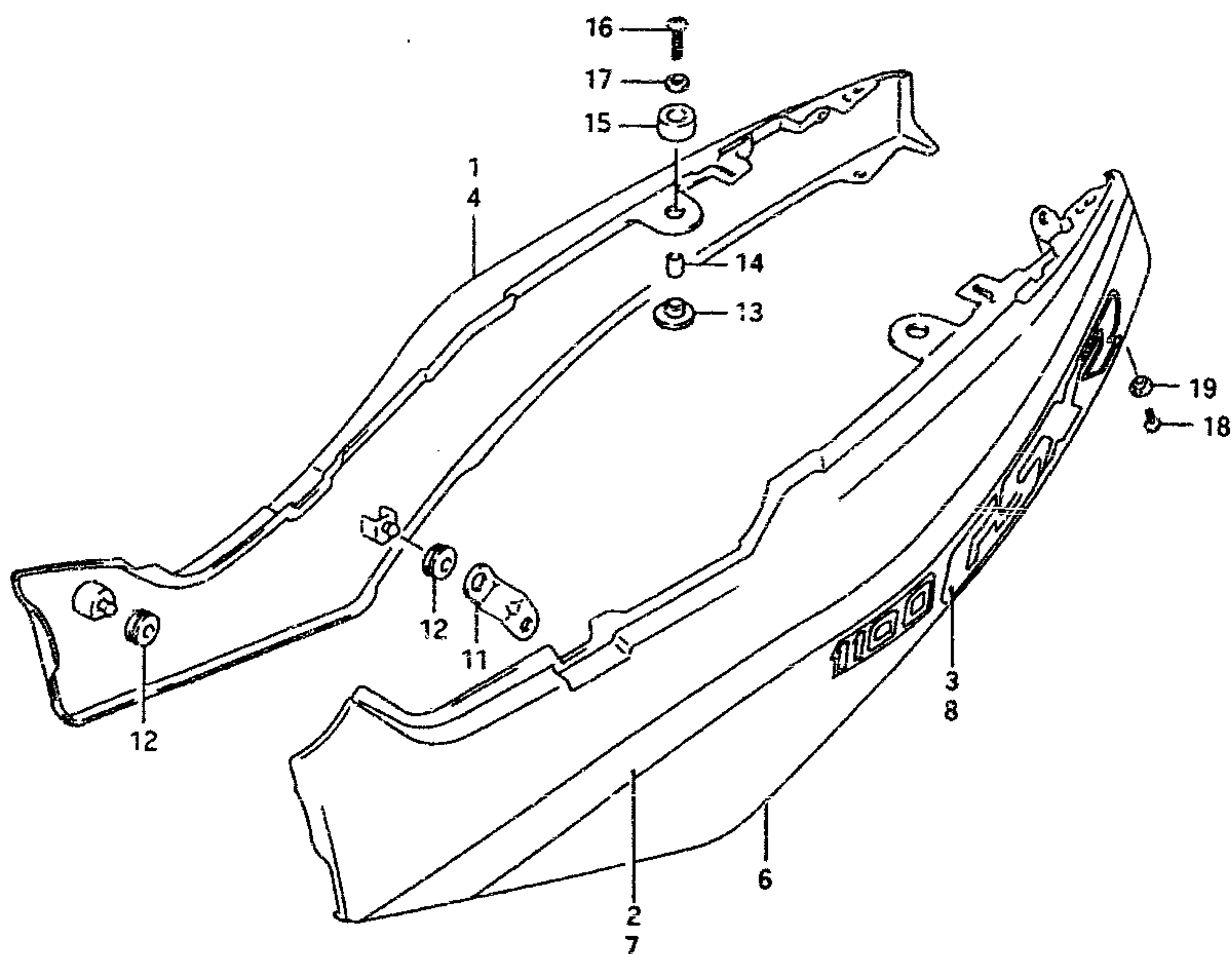
AIR CLEANER.....C-7	CLUTCH HOSE.....H-10	CYLINDER HEAD COVER..B-2	FRONT FENDER.....G-7	HEADLAMP.....E-9	REAR FENDER.....I-6	STAND.....F-3	WIRING HARNESS..E-12
ALTERNATOR.....E-3	CLUTCH MASTER CYL..H-9	ELECTRICAL.....E-7	FRONT MASTER CYL..H-8	MUFFLER.....C-8	REAR MASTER CYL..I-11	STARTER CLUTCH..B-11	
BATTERY.....E-6	COWLING.....J-4	FOOTREST.....F-4	FRONT WHEEL.....G-9	OIL COOLER.....C-9	REAR SWING ARM...I-2	STARTING MOTOR..E-2	SERIAL FRAME NUMBER
CAM CHAIN.....C-3	CRANKCASE.....B-5	FRAME.....F-2	FUEL COCK.....F-8	OIL PAN.....B-8	REAR WHEEL.....I-8	STEERING DAMPER..G-6	GSX-R1100K : JS1GV73A K2100001~
C.M SHAFT.....C-2	CRANKCASE COVER..B-7	FRAME COVER.....F-11	FUEL TANK.....F-6	OIL PUMP.....B-9	SEAT.....F-10	STEERING STEM...G-4	GSX-R1100L : JS1GV73A L2100001~
CARBURETOR.....C-4	CRA SHAFT.....B-10	FRONT BRAKE HOSE...H-6	GEAR SHIFT.....D-5	OPTIONAL.....J-10	SEAT TAIL COVER..F-10	TAIL LAMP.....E-11	
CARBURETOR FITT..C-6	CYLINDER.....B-4	FRONT CALIPERS.....H-5	HANDLE SWI.....H-4	REAR CALIPER.....I-10	SIGNAL GENERATOR..E-5	TRANSMISSION....D-3	
CLUTCH.....D-2	CYLINDER HEAD....E-3	FRONT DAMPER.....G-2	HANDLEBAR.....H-2	REAR CUSHION LEVER..I-4	SPEEDOMETER.....E-8	TURNSIGNAL LAMP..E-10	

FIG. 36

F - 11

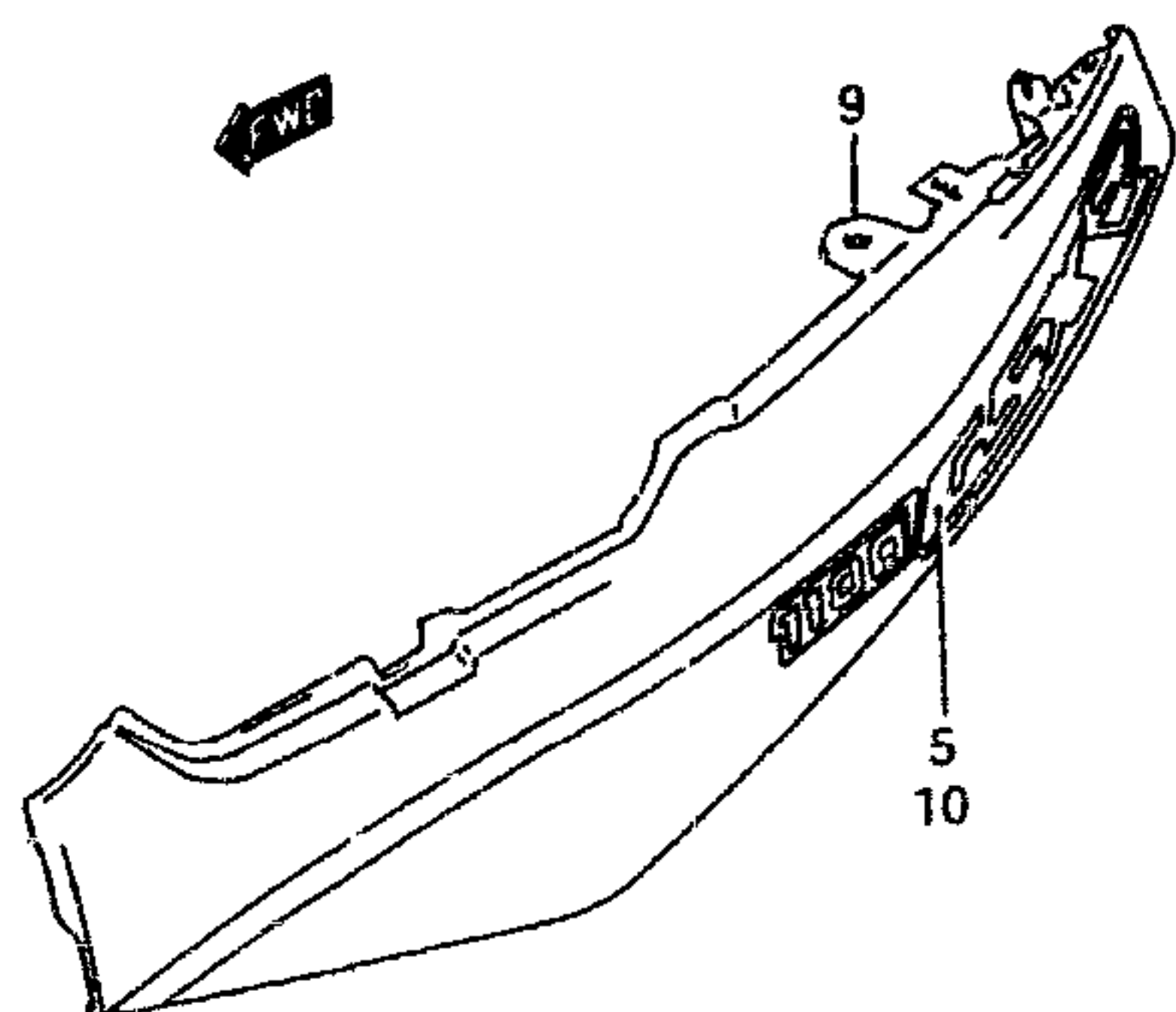
45

FIG.36 (F-11) FRAME COVER (model K)



REF.NO.	PART NO.	DESCRIPTION	Q'TY	REMARKS
1	47110-40C30-2FF	COVER, frame RH	1	for 9SR
2	68135-17C10-22R	.TAPE, frame cover RH (White)	1	for 2FF
3	68131-40C10-2GZ	.EMBLEM, RH	1	for 2FF
4	47110-40C50-3EE	COVER, frame RH	1	for 3EE
5	68135-40C00-0GC	.TAPE, frame cover RH (Black)	1	for 3EE
6	47210-40C30-2FF	COVER, frame LH	1	for 9SR
7	68145-17C10-22R	.TAPE, frame cover LH (White)	1	for 2FF
8	68141-40C10-2GZ	.EMBLEM, LH	1	for 2FF
9	47210-40C50-3EE	COVER, frame LH	1	for 3EE
10	68145-40C00-0GC	.TAPE, frame cover LH (Black)	1	for 3EE
11	43815-17C11	BRACKET, frame cover	2	
12	09320-08013	CUSHION	4	
13	45326-17C00	CUSHION, lower	2	
14	09180-06143	SPACER	2	
15	45149-04A00	CUSHION, upper	2	
16	02142-06305	SCREW	2	
17	09160-06069	WASHER	2	
18	02142-05124	SCREW, rear	2	
19	09161-05017	WASHER	2	

Refer to FIG.36A(F-12) for model L



GSX-R1100L E28

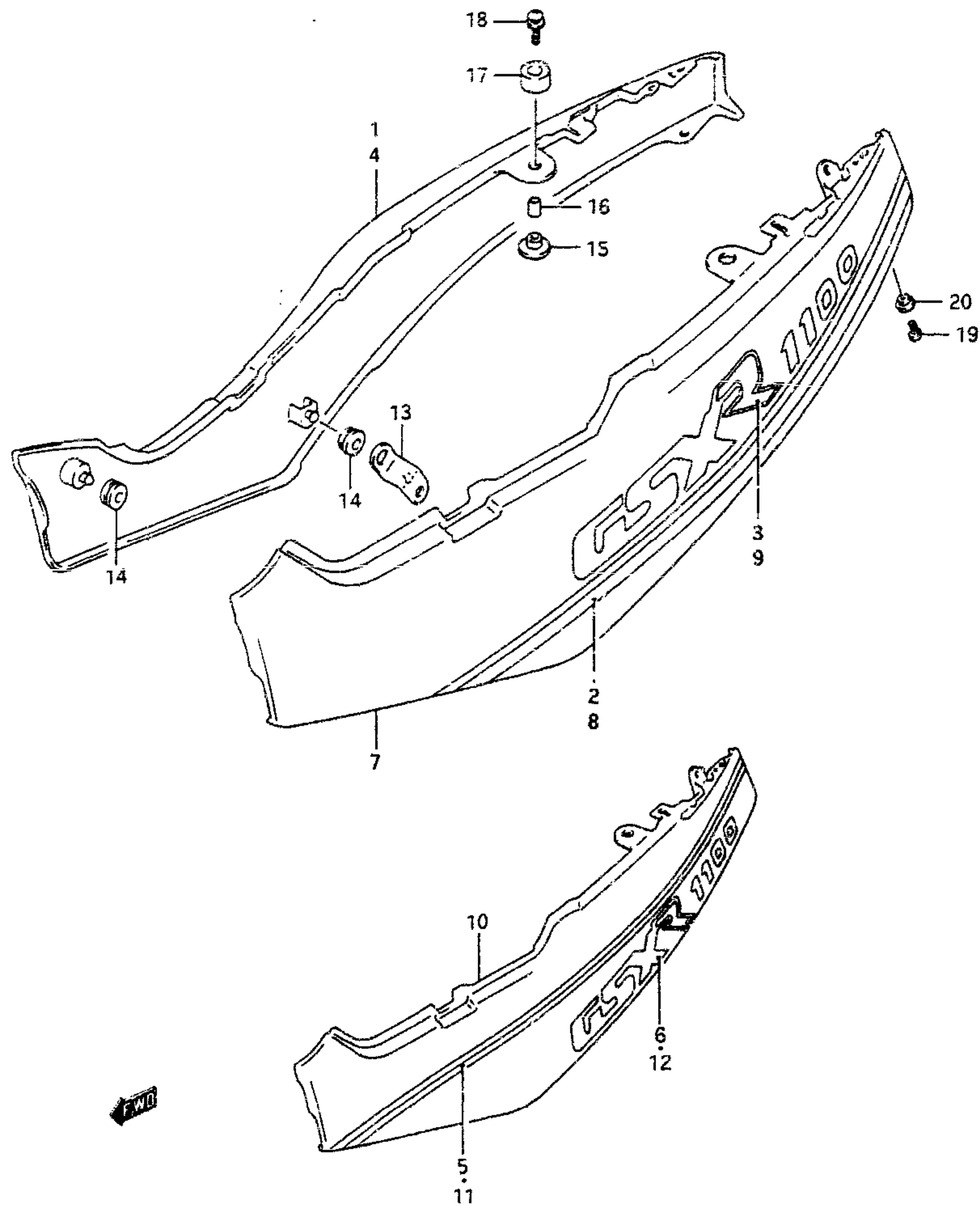
GSX-R1100L E28

AIR CLEANER.....C-7	CLUTCH HOSE.....H-10	CYLINDER HEAD COVER..B-2	FRONT FENDER.....G-7	HEADLAMP.....E-9	REAR FENDER.....I-6	STAND.....F-3	WIRING HARNESS..E-12
ALTERNATOR.....E-3	CLUTCH MASTER CYL..H-9	ELECTRICAL.....E-7	FRONT MASTER CYL..H-8	MUFFLER.....C-8	REAR MASTER CYL..I-11	STARTER CLUTCH..B-11	
BATTERY.....E-6	COWLING.....J-4	FOOTREST.....F-4	FRONT WHEEL.....G-9	OIL COOLER.....C-9	REAR SWING ARM...I-2	STARTING MOTOR..E-2	SERIAL FRAME NUMBER
CAM CHAIN.....C-3	CRANKCASE.....B-5	FRAME.....F-2	FUEL COCK.....F-8	OIL PAN.....B-8	REAR WHEEL.....I-8	STEERING DAMPER..G-6	GSX-R1100K : JSIGV73A K2100001
CAM SHAFT.....C-2	CRANKCASE COVER..B-7	FRAME COVER.....F-11	FUEL TANK.....F-6	OIL PUMP.....B-9	SEAT.....F-9	STEERING STEM...G-4	GSX-R1100L : JSIGV73A L2100001
CARBURETOR.....C-4	CRANKSHAFT.....B-10	FRONT BRAKE HOSE..H-6	GEAR SHIFT.....D-5	OPTIONAL.....J-10	SEAT TAIL COVER..F-10	TAIL LAMP.....E-11	
CARBURETOR FITT..C-6	CYLINDER.....B-4	FRONT CALIPERS.....H-5	HANDLE SWI.....H-4	REAR CALIPER.....I-10	SIGNAL GENERATOR..E-5	TRANSMISSION....D-3	
CLUTCH.....D-2	CYLINDER HEAD....B-3	FRONT DAMPER.....G-2	HANDLEBAR.....H-2	REAR CUSHION LEVER..I-4	SPEEDOMETER.....E-8	TURNSIGNAL LAMP..E-10	

FIG. 36A

F - 12

FIG. 36A(F-12) FRAME COVER (model L)

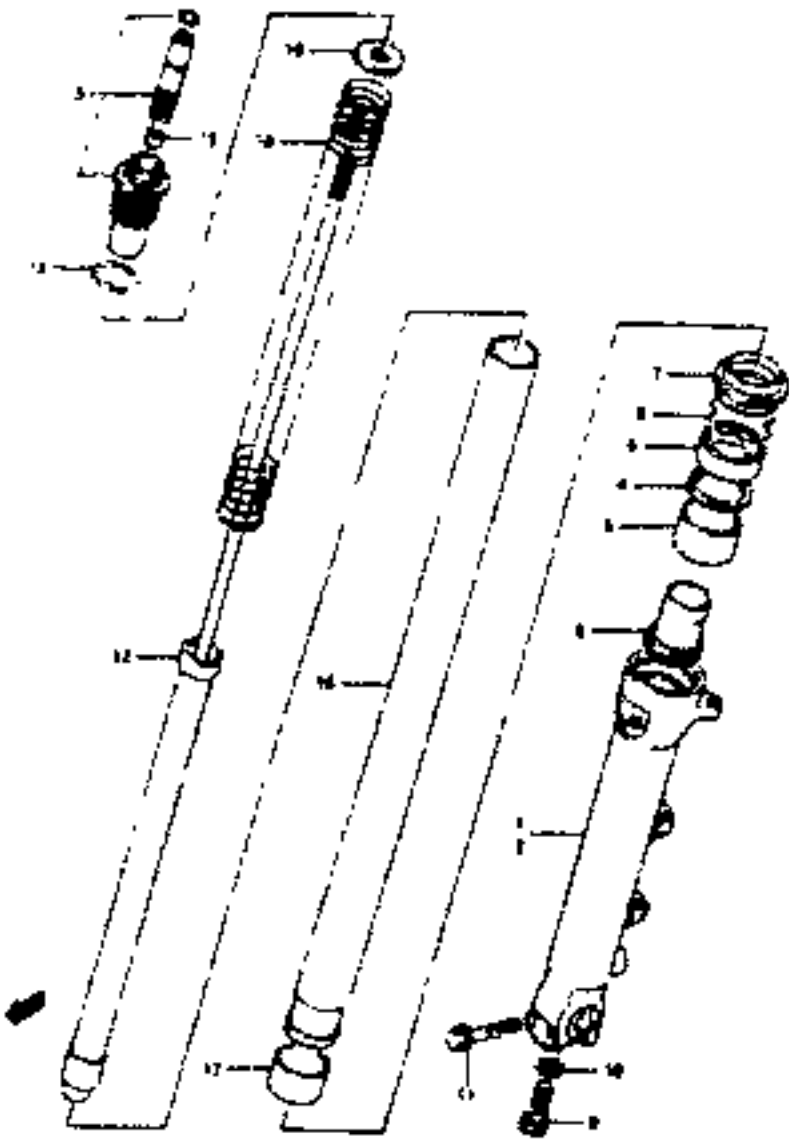
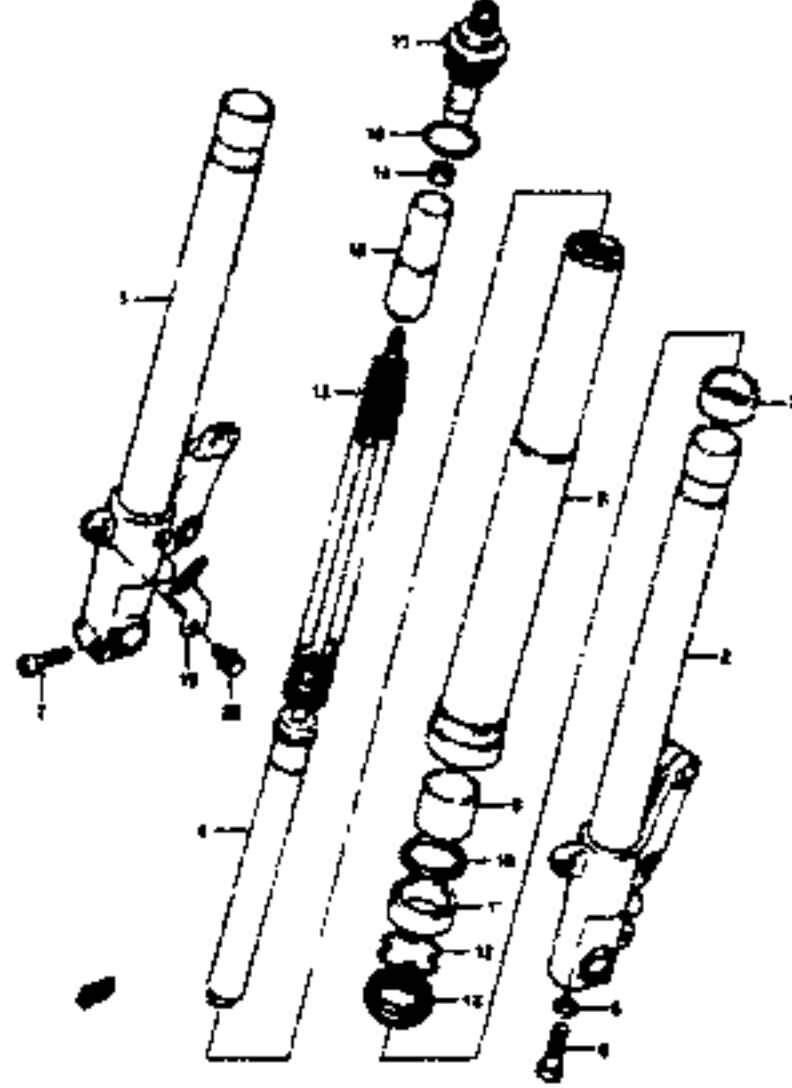
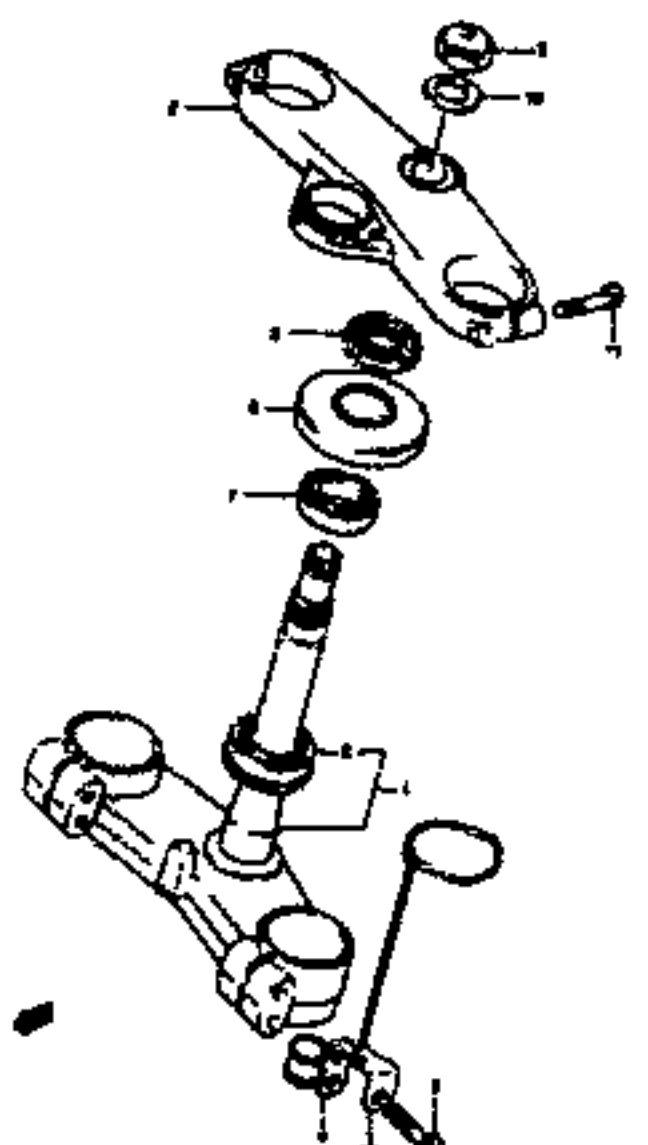
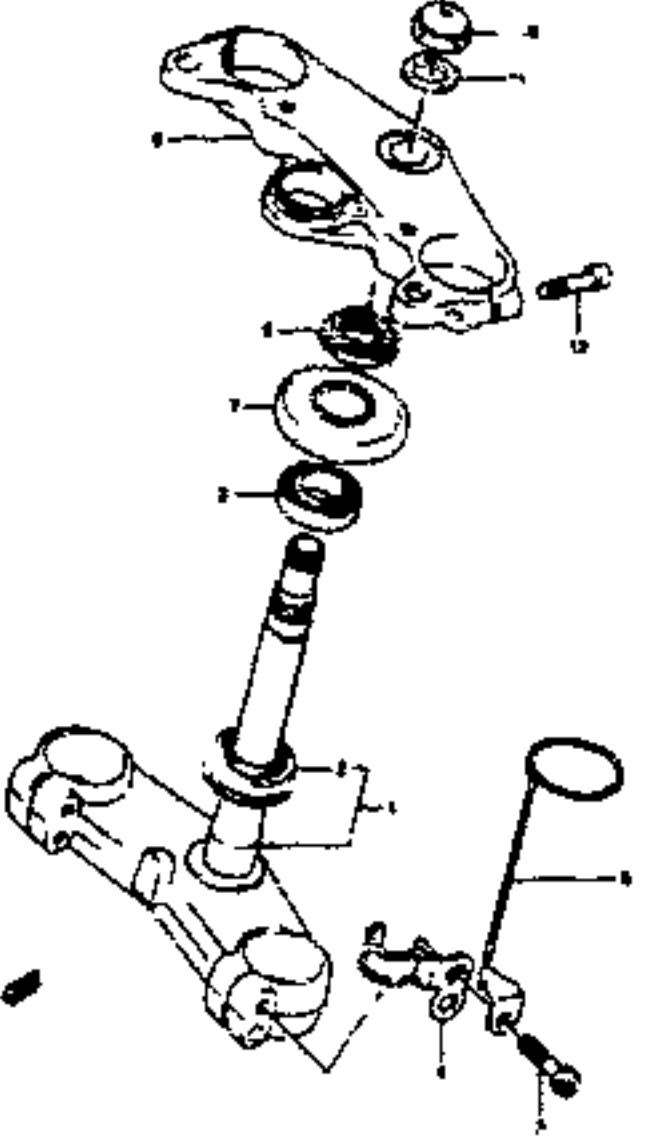
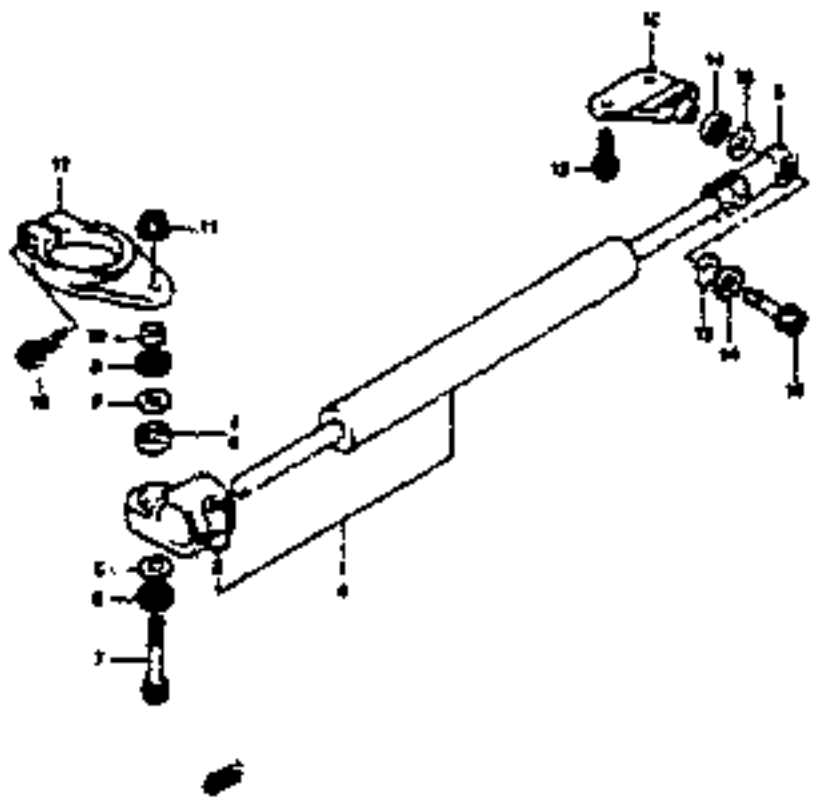
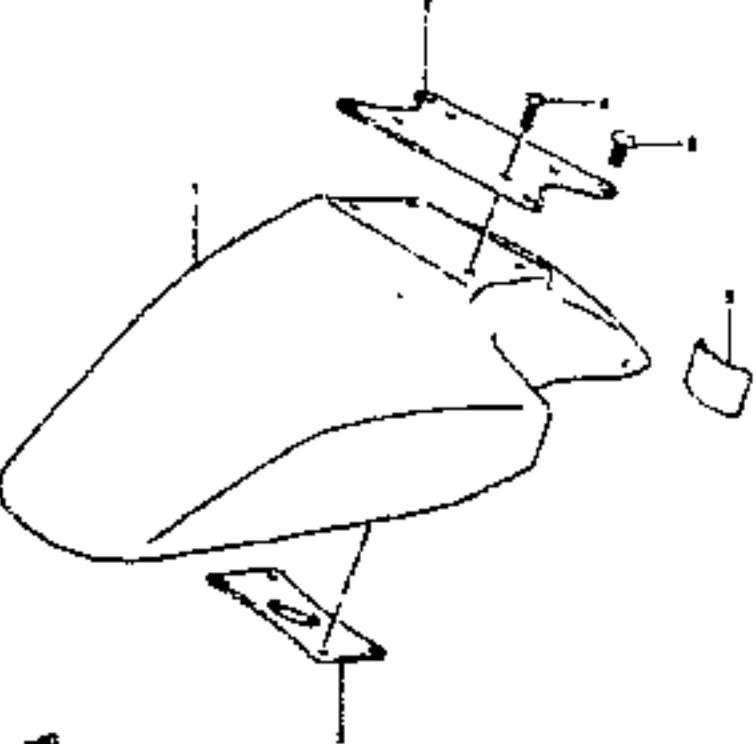
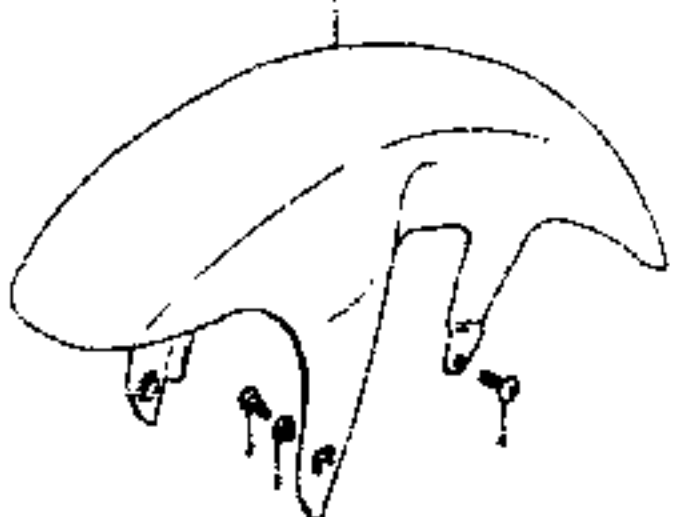
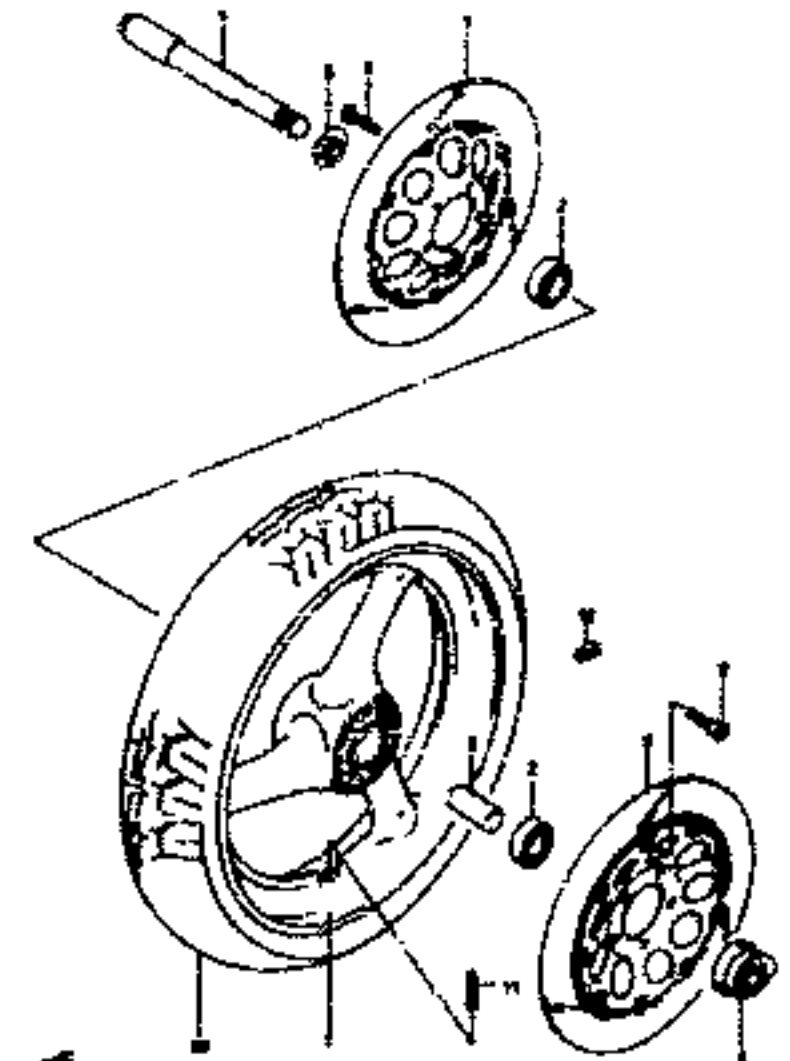


REF.NO.	PART NO.	DESCRIPTION	Q'TY	REMARKS
1	47110-40C61-3SH	COVER, frame RH	1	for 3SH
2	68135-40C30-3TS	.TAPE, frame cover RH	1	for 3SH
3	68131-40C40-3YZ	.EMBLEM, RH	1	for 3SH
4	47110-40C71-3CH	COVER, frame RH	1	for 3CG
5	68135-17D00-3CH	.TAPE, frame cover RH (Black)	1	for 3CH
6	68131-40C40-2RM	.EMBLEM, RH	1	for 3CH
7	47210-40C61-3SH	COVER, frame LH	1	for 3SH
8	68145-40C30-3TS	.TAPE, frame cover LH (White)	1	for 3SH
9	68131-40C40-3YZ	.EMBLEM, LH	1	for 3SH
10	47210-40C71-3CH	COVER, frame LH	1	for 3CG
11	68145-17D00-3CH	.TAPE, frame cover LH (Black)	1	for 3CH
12	68131-40C40-2RM	.EMBLEM, LH	1	for 3CH
13	43815-17C11	BRACKET, frame cover	2	
14	09320-08013	CUSHION	4	
15	45326-17C00	CUSHION, lower	2	
16	09180-06143	SPACER	2	
17	45149-04A00	CUSHION, upper	2	
18	09136-06083	SCREW	2	
19	02142-05124	SCREW, rear	2	
20	09161-05017	WASHER	2	

GSX-R1100L E28

GSX-R1100L E28

AIR CLEANER.....C-7	CLUTCH HOSE.....H-10	CYLINDER HEAD COVER..B-2	FRONT FENDER.....G-7	HEADLAMP.....E-9	REAR FENDER.....I-6	STAND.....F-3	WIRING HARNESS..E-12
ALTERNATOR.....E-3	CLUTCH MASTER CYL..H-9	ELECTRICAL.....E-7	FRONT MASTER CYL..H-8	MUFFLER.....C-8	REAR MASTER CYL..I-11	STARTER CLUTCH..B-11	
BATTERY.....E-6	COWLING.....J-4	FOOTREST.....F-4	FRONT WHEEL.....G-9	OIL COOLER.....C-9	REAR SWING ARM...I-2	STARTING MOTOR..E-2	SERIAL FRAME NUMBER
CAM CHAIN.....C-3	CRANKCASE.....B-5	FRAME.....F-2	FUEL COCK.....F-8	OIL PAN.....B-8	REAR WHEEL.....I-8	STEERING DAMPER..G-6	GSX-R1100K : JSIGV73A K2100001~
CAM SHAFT.....C-2	CRANKCASE COVER..B-7	FRAME COVER.....F-11	FUEL TANK.....F-6	OIL PUMP.....B-9	SEAT.....F-9	STEERING STEM...G-4	GSX-R1100L : JSIGV73A L2100001~
CARBURETOR.....C-4	CRANKSHAFT.....B-10	FRONT BRAKE HOSE...H-6	GEAR SHIFT.....D-5	OPTIONAL.....J-10	SEAT TAIL COVER..F-10	TAIL LAMP.....E-11	
CARBURETOR FITT..C-6	CYLINDER.....B-4	FRONT CALIPERS.....H-5	HANDLE SWI.....H-4	REAR CALIPER.....I-10	SIGNAL GENERATOR..E-5	TRANSMISSION....D-3	
CLUTCH.....D-2	CYLINDER HEAD.....B-3	FRONT DAMPER.....G-2	HANDLEBAR.....H-2	REAR CUSHION LEVER..I-4	SPEEDOMETER.....E-8	TURN SIGNAL LAMP..E-10	

<p>FRONT DAMPER (model K) G-2</p> 	<p>FRONT DAMPER (model L) G-3</p> 	<p>STEERING STEM (model K) G-4</p> 	<p>STEERING STEM (model L) G-5</p> 	<p>STEERING DAMPER G-6</p> 	<p>FRONT FENDER (model K) G-7</p> 
<p>FRONT FENDER (model L) G-8</p> 	<p>FRONT WHEEL G-9</p> 				

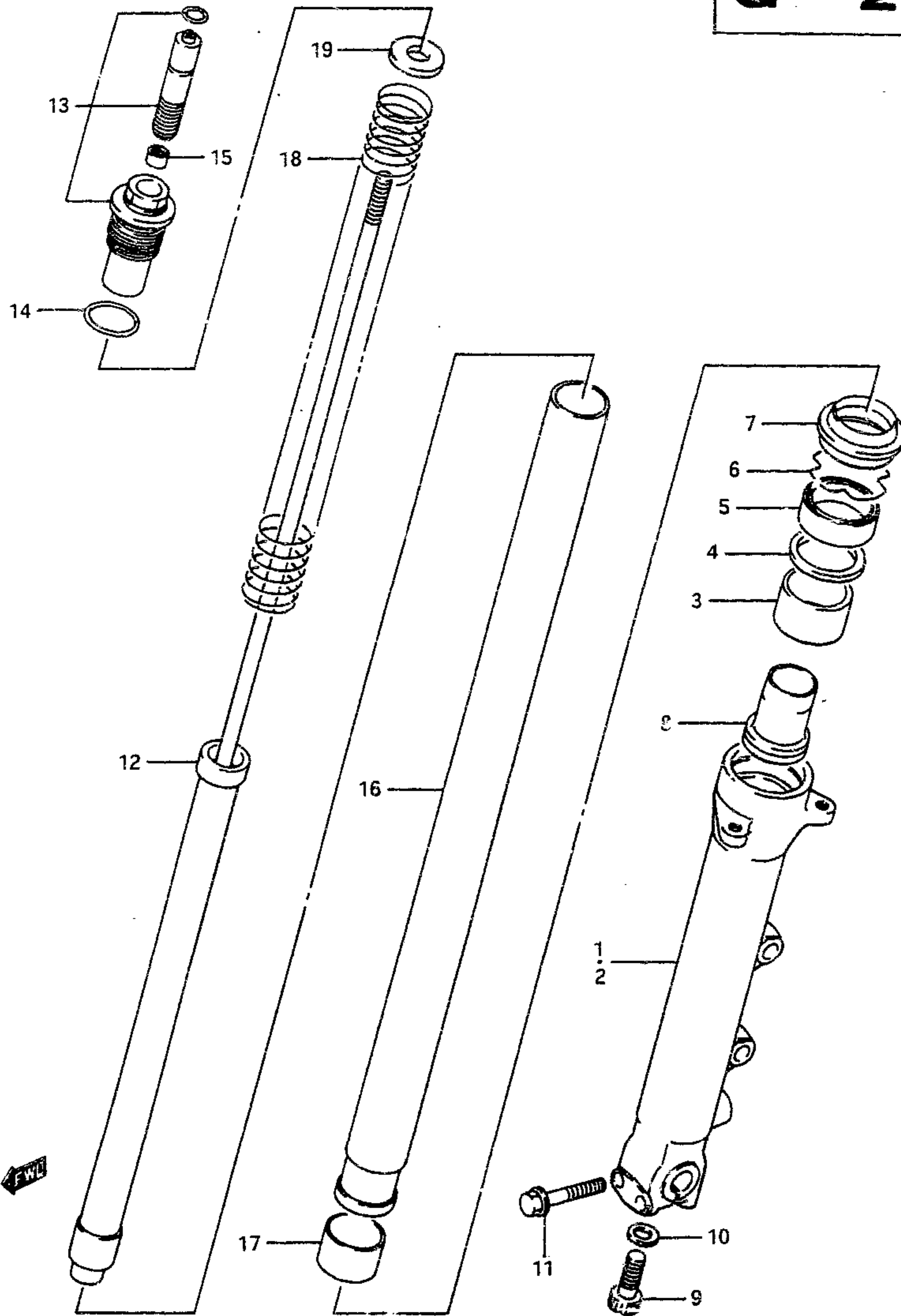
AIR CLEANER.....C-7	CLUTCH HOSE.....H-10	CYLINDER HEAD COVER..B-2	FRONT FENDER.....G-7	HEADLAMP.....E-9	REAR FENDER.....I-6	STAND.....F-3	WIRING HARNESS..E-12
ALTERNATOR.....E-3	CLUTCH MASTER CYL..H-9	ELECTRICAL.....E-7	FRONT MASTER CYL..H-8	MUFFLER.....C-8	REAR MASTER CYL..I-11	STARTER CLUTCH..B-11	
BATTERY.....E-6	COWLING.....J-4	FOOTREST.....F-4	FRONT WHEEL.....G-9	OIL COOLER.....C-9	REAR SWING ARM...I-2	STARTING MOTOR..E-2	SERIAL FRAME NUMBER
CAM CHAIN.....C-3	CRANKCASE.....B-5	FRAME.....F-2	FUEL COCK.....F-8	OIL PAN.....B-8	REAR WHEEL.....I-8	STEERING DAMPER..G-6	GSX-R1100K : JS1GV73A K2100001~
CAM SHAFT.....C-2	CRANKCASE COVER...B-7	FRAME COVER.....F-11	FUEL TANK.....F-6	OIL PUMP.....B-9	SEAT.....F-9	STEERING STEM...G-4	GSX-R1100L : JS1GV73A L2100001~
CARBURETOR.....C-4	CRANKSHAFT.....B-10	FRONT BRAKE HOSE...H-6	GEAR SHIFT.....D-5	OPTIONAL.....J-10	SEAT TAIL COVER..F-10	TAIL LAMP.....E-11	
CARBURETOR FITT..C-6	CYLINDER.....B-4	FRONT CALIPERS.....H-5	HANDLE SWI.....H-4	REAR CALIPER.....I-10	SIGNAL GENERATOR..E-5	TRANSMISSION....D-3	
CLUTCH.....D-2	CYLINDER HEAD.....B-3	FRONT DAMPER.....G-2	HANDLEBAR.....H-2	REAR CUSHION LEVER..I-4	SPEEDOMETER.....E-8	TURN SIGNAL LAMP..E-10	

FIG. 37

G - 2

47

FIG.37 (G- 2) FRONT DAMPER (model K)



GSX-R1100L E28

REF.NO.	PART NO.	DESCRIPTION	Q'TY	REMARKS
	51103-40C00	DAMPER ASSY, RH	1	
	51104-40C00	DAMPER ASSY, LH	1	
1	51130-40C00	.TUBE, outer RH	1	
2	51140-40C00	.TUBE, outer LH	1	
3	51167-40C00	.METAL, slide	2	
4	51158-14200	.WASHER	2	
5	51153-40C00	.OIL SEAL	2	
6	51156-14200	.RING, stopper	2	
7	51173-40C00	.DUST SEAL	2	
8	51195-40C00	.PIECE, oil lock	2	
9	51147-40C00	.BOLT	2	
10	51148-40300	.GASKET	2	
11	51766-40C00	.BOLT, RH	2	
12	51146-40C00	.CYLINDER	2	
13	51351-40C00	.BOLT, fork	2	
14	51117-14200	.O RING	2	
15	51352-13A60	.NUT	2	
16	51110-40C00	.TUBE, inner	2	
17	51121-40C00	.BUSH, slide	2	
18	51171-40C00	.SPRING	2	
19	51192-40C00	.WASHER	2	

Refer to FIG.37A(G-3) for model L

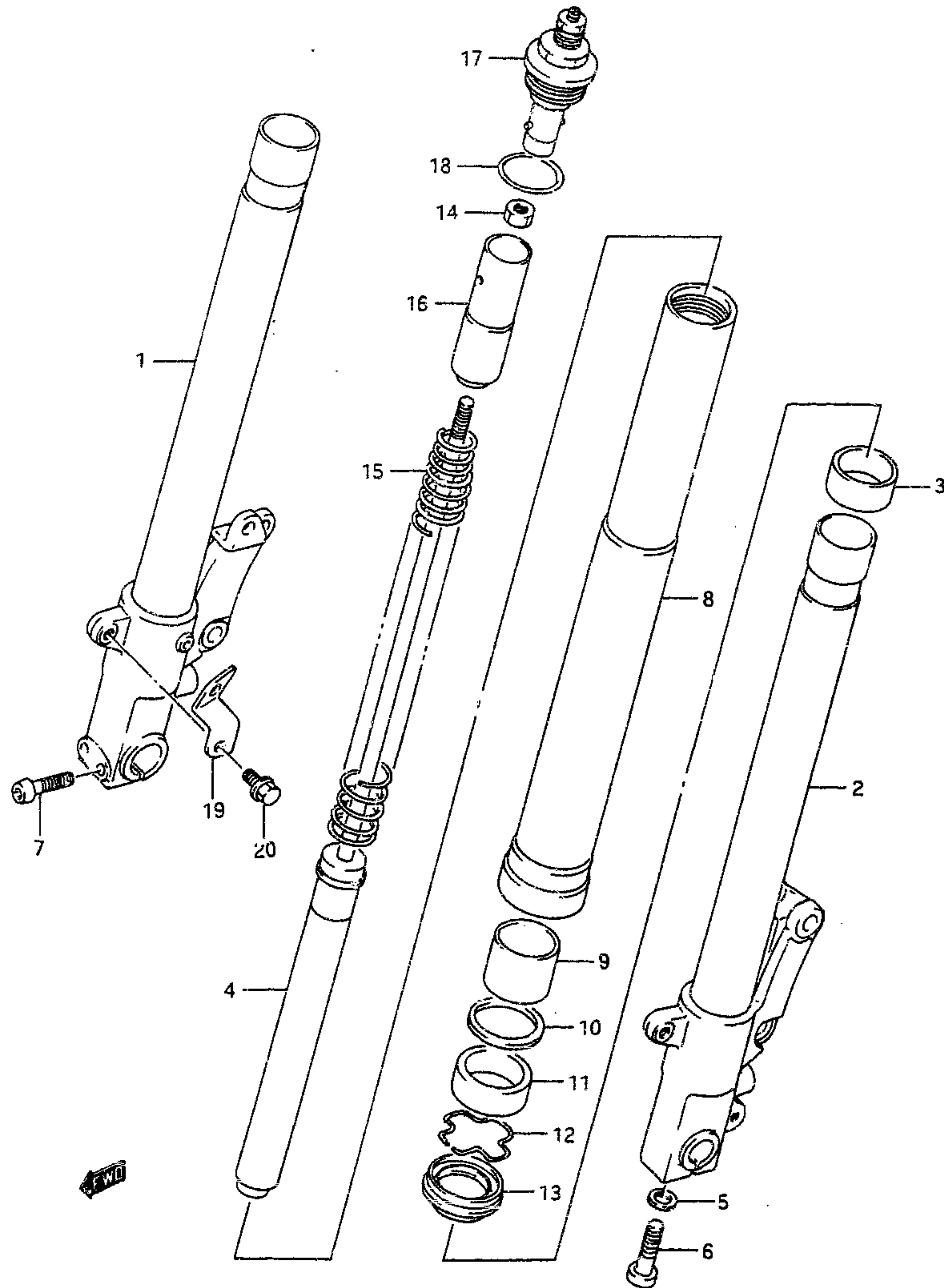
GSX-R1100L E28

AIR CLEANER.....C-7	CLUTCH HOSE.....H-10	CYLINDER HEAD COVER..B-2	FRONT FENDER.....G-7	HEADLAMP.....E-9	REAR FENDER.....i-6	STAND.....F-3	WIRING HARNESS..E-12
ALTERNATOR.....E-3	CLUTCH MASTER CYL..H-9	ELECTRICAL.....E-7	FRONT MASTER CYL..H-8	MUFFLER.....C-8	REAR MASTER CYL..i-11	STARTER CLUTCH..B-11	
BATTERY.....E-6	COWLING.....J-4	FOOTREST.....F-4	FRONT WHEEL.....G-9	OIL COOLER.....C-9	REAR SWING ARM..i-2	STARTING MOTOR..E-2	SERIAL FRAME NUMBER
CAM CHAIN.....C-3	CRANKCASE.....B-5	FRAME.....F-2	FUEL COCK.....F-8	OIL PAN.....B-8	REAR WHEEL.....i-8	STEERING DAMPER..G-6	GSX-R1100K : JSIGV73A K2100001~
CAM SHAFT.....C-2	CRANKCASE COVER..B-7	FRAME COVER.....F-11	FUEL TANK.....F-6	OIL PUMP.....B-9	SEAT.....F-9	STEERING STEM...G-4	GSX-R1100L : JSIGV73A L2100001~
CARBURETOR.....C-4	CRANKSHAFT.....B-10	FRONT BRAKE HOSE...H-6	GEAR SHIFT.....D-5	OPTIONAL.....J-10	SEAT TAIL COVER..F-10	TAIL LAMP.....E-11	
CARBURETOR FITT..C-6	CYLINDER.....B-4	FRONT CALIPERS.....H-5	HANDLE SWI.....H-4	REAR CALIPER.....i-10	SIGNAL GENERATOR..E-5	TRANSMISSION....D-3	
CLUTCH.....D-2	CYLINDER HEAD.....B-3	FRONT DAMPER.....G-2	HANDLEBAR.....H-2	REAR CUSHION LEVER..i-4	SPEEDOMETER.....E-8	TURN SIGNAL LAMP..E-10	

FIG. 37A

G - 3

FIG.37A(G- 3) FRONT DAMPER (model L)



REF.NO.	PART NO.	DESCRIPTION	Q'TY	REMARKS
	51103-40C40	DAMPER ASSY, RH	1	
	51104-40C40	DAMPER ASSY, LH	1	
1	51110-40C40	.TUBE, inner RH	1	
2	51120-40C40	.TUBE, inner LH	1	
3	51121-28C00	.PISTON	2	
4	51146-40C40	.CYLINDER ASSY	2	
5	51148-40300	.GASKET	2	
6	51147-40C00	.BOLT	2	
7	51766-40C40	.BOLT, inner tube RH	2	
8	51130-40C40	.TUBE, outer	2	
9	51167-40C40	.METAL, slide	2	
10	51158-05A00	.WASHER	2	
11	51153-06C00	.SEAL, oil	2	
12	51156-49440	.RING, snap	2	
13	51173-40C40	.SEAL, dust	2	
14	51352-13A60	.NUT, lod	2	
15	51171-40C40	.SPRING, main	2	
16	51176-40C40	.SPACER, spring	2	
17	51351-40C40	.CAP ASSY	2	
18	51117-28C00	.O RING	2	
19-1	51590-17D10	.PLATE, front fender RH	1	
19-2	51580-17D10	.PLATE, front fender LH	1	
20	01517-08128	.BOLT	2	

GSX-R1100L E28

GSX-R1100L E28

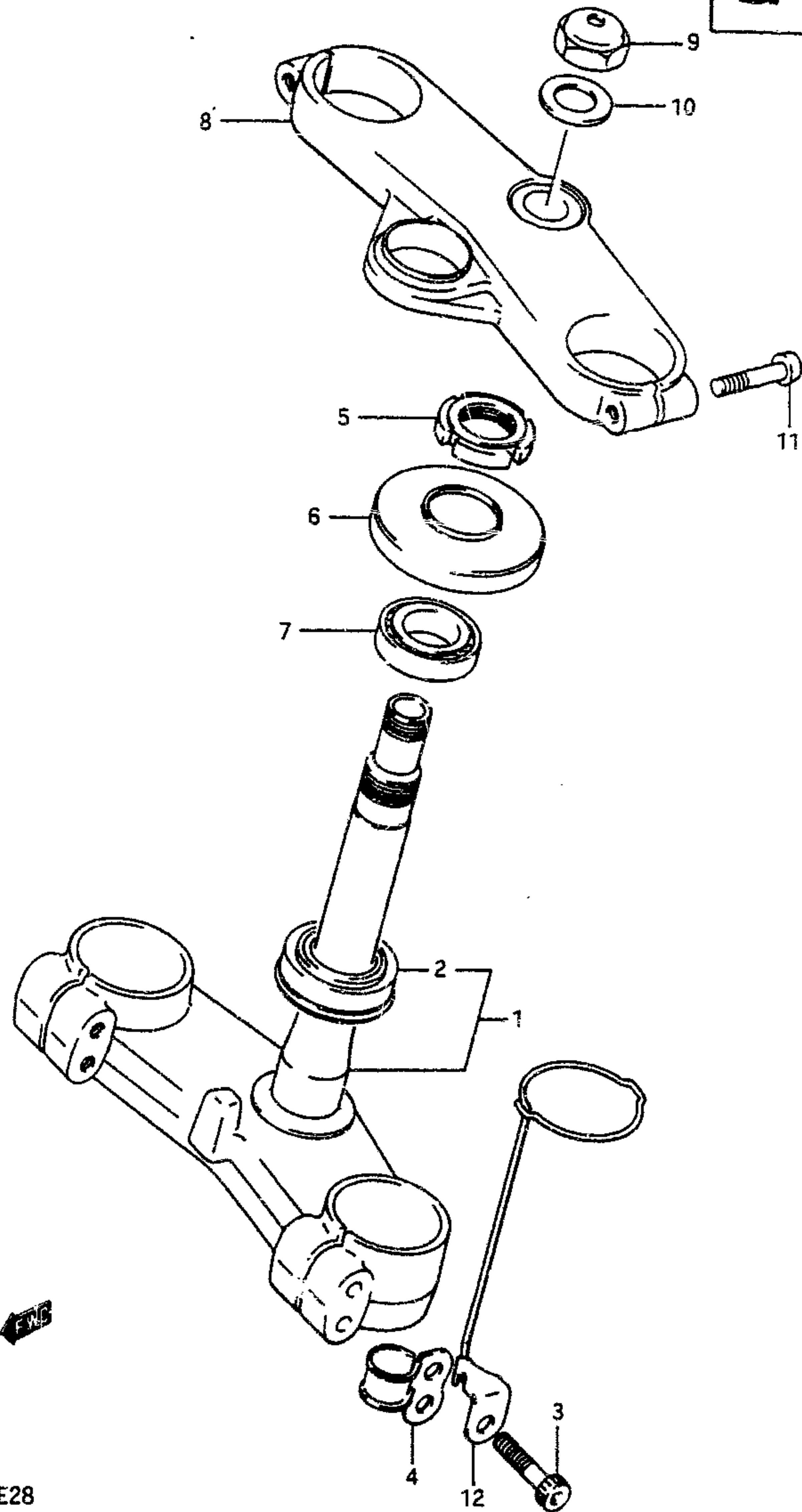
AIR CLEANER.....C-7	CLUTCH HOSE.....H-10	CYLINDER HEAD COVER..B-2	FRONT FENDER.....G-7	HEADLAMP.....E-9	REAR FENDER.....i-6	STAND.....F-3	WIRING HARNESS..E-12
ALTERNATOR.....E-3	CLUTCH MASTER CYL..H-9	ELECTRICAL.....E-7	FRONT MASTER CYL..H-8	MUFFLER.....C-8	REAR MASTER CYL..i-11	STARTER CLUTCH..B-11	
BATTERY.....E-6	COWLING.....J-4	FOOTREST.....F-4	FRONT WHEEL.....G-9	OIL COOLER.....C-9	REAR SWING ARM...i-2	STARTING MOTOR..E-2	SERIAL FRAME NUMBER
CAM CHAIN.....C-3	CRANKCASE.....B-5	FRAME.....F-2	FUEL COCK.....F-8	OIL PAN.....B-8	REAR WHEEL.....i-8	STEERING DAMPER..G-6	GSX-R1100K : JSIGV73A K2100001~
CAM SHAFT.....C-2	CRANKCASE COVER..B-7	FRAME COVER.....F-11	FUEL TANK.....F-6	OIL PUMP.....B-9	SEAT.....F-9	STEERING STEM...G-4	GSX-R1100L : JSIGV73A L2100001~
CARBURETOR.....C-4	CRANKSHAFT.....B-10	FRONT BRAKE HOSE...H-6	GEAR SHIFT.....D-5	OPTIONAL.....J-10	SEAT TAIL COVER..F-10	TAIL LAMP.....E-11	
CARBURETOR FITT..C-6	CYLINDER.....B-4	FRONT CALIPERS.....H-5	HANDLE SWI.....H-4	REAR CALIPER.....i-10	SIGNAL GENERATOR..E-5	TRANSMISSION....D-3	
CLUTCH.....D-2	CYLINDER HEAD.....B-3	FRONT DAMPER.....G-2	HANDLEBAR.....H-2	REAR CUSHION LEVER..i-4	SPEEDOMETER.....E-8	TURN SIGNAL LAMP..E-10	

FIG. 38

G-4

49

FIG. 38 (G- 4) STEERING STEM (model K)



REF.NO.	PART NO.	DESCRIPTION	Q'TY	REMARKS
1	51410-40C00	STEM, steering	1	
2	09265-30009	.BEARING	1	
3	09106-10022	BOLT, lower	4	
4	34938-40C00	CLAMP, speedometer cable	1	
5	51631-28000	NUT, steering stem	1	
6	09285-34007	DUST COVER, steering upper	1	
7	09265-25008	BEARING	1	
8	51311-40C00	BRACKET, upper	1	
9	51353-28A10	NUT	1	
10	51356-24B01	WASHER	1	
11	51451-27A40	BOLT, upper	2	
12	51740-40C00	HOLDER, steering damper	1	

Refer to FIG.38A(G-5) for model L

GSX-R1100L E28

GSX-R1100L E28

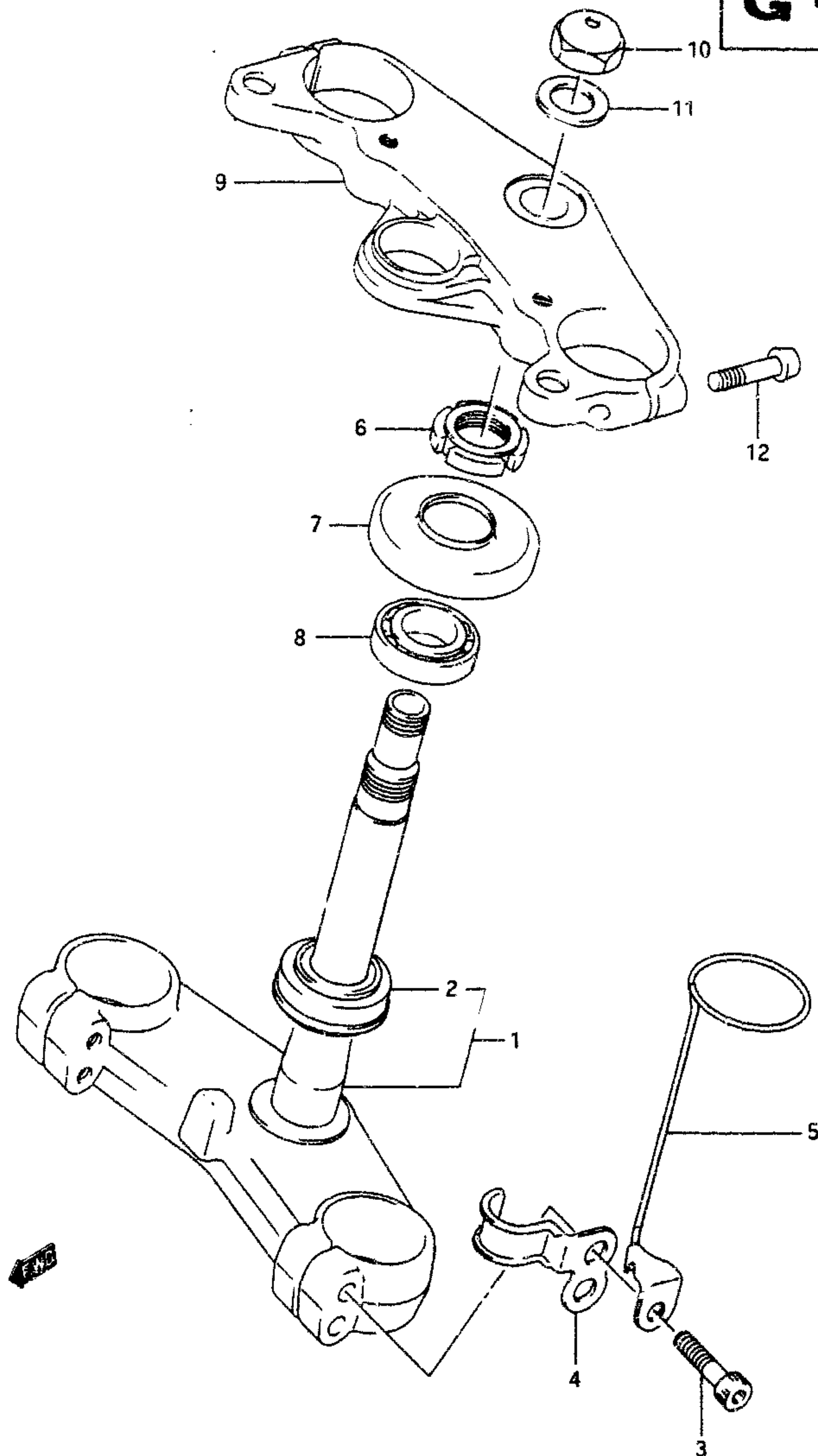
AIR CLEANER.....C-7	CLUTCH HOSE.....H-10	CYLINDER HEAD COVER..B-2	FRONT FENDER.....G-7	HEADLAMP.....E-9	REAR FENDER.....I-6	STAND.....F-3	WIRING HARNESS..E-12
ALTERNATOR.....E-3	CLUTCH MASTER CYL..H-9	ELECTRICAL.....E-7	FRONT MASTER CYL..H-8	MUFFLER.....C-8	REAR MASTER CYL..I-11	STARTER CLUTCH..B-11	
BATTERY.....E-6	COWLING.....J-4	FOOTREST.....F-4	FRONT WHEEL.....G-9	OIL COOLER.....C-9	REAR SWING ARM...I-2	STARTING MOTOR..E-2	SERIAL FRAME NUMBER
CAM CHAIN.....C-3	CRANKCASE.....B-5	FRAME.....F-2	FUEL COCK.....F-8	OIL PAN.....B-8	REAR WHEEL.....I-8	STEERING DAMPER..G-6	GSX-R1100K : JS1GV73A K2100001~
CAM SHAFT.....C-2	CRANKCASE COVER..B-7	FRAME COVER.....F-11	FUEL TANK.....F-6	OIL PUMP.....B-9	SEAT.....F-9	STEERING STEM...G-4	GSX-R1100L : JS1GV73A L2100001~
CARBURETOR.....C-4	CRANKSHAFT.....B-10	FRONT BRAKE HOSE...H-6	GEAR SHIFT.....D-5	OPTIONAL.....J-10	SEAT TAIL COVER..F-10	TAIL LAMP.....E-11	
CARBURETOR FITT..C-6	CYLINDER.....B-4	FRONT CALIPERS.....H-5	HANDLE SWI.....H-4	REAR CALIPER.....I-10	SIGNAL GENERATOR..E-5	TRANSMISSION....D-5	
CLUTCH.....D-2	CYLINDER HEAD.....B-3	FRONT DAMPER.....G-2	HANDLEBAR.....H-2	REAR CUSHION LEVER..I-4	SPEEDOMETER.....E-8	TURNSIGNAL LAMP..E-10	

FIG. 38 A

G-5

50

FIG.38A(G- 5) STEERING STEM (model L)



REF.NO.	PART NO.	DESCRIPTION	Q'TY	REMARKS
1	51410-40C40	STEM, steering	1	
2	09265-30009	.BEARING	1	
3	09106-10022	BOLT, lower	4	
4	34938-17D00	CLAMP, meter cable No.1	1	
5	51740-40C10	HOLDER, steering damper	1	
6	51631-28000	NUT, steering stem	1	
7	09285-34007	DUST COVER, steering upper	1	
8	09265-25008	BEARING	1	
9	51311-40C40	BRACKET, upper	1	
10	51353-28A10	NUT	1	
11	51356-24B01	WASHER	1	
12	51451-27A40	BOLT, upper	2	

GSX-R1100L E28

GSX-R1100L E28

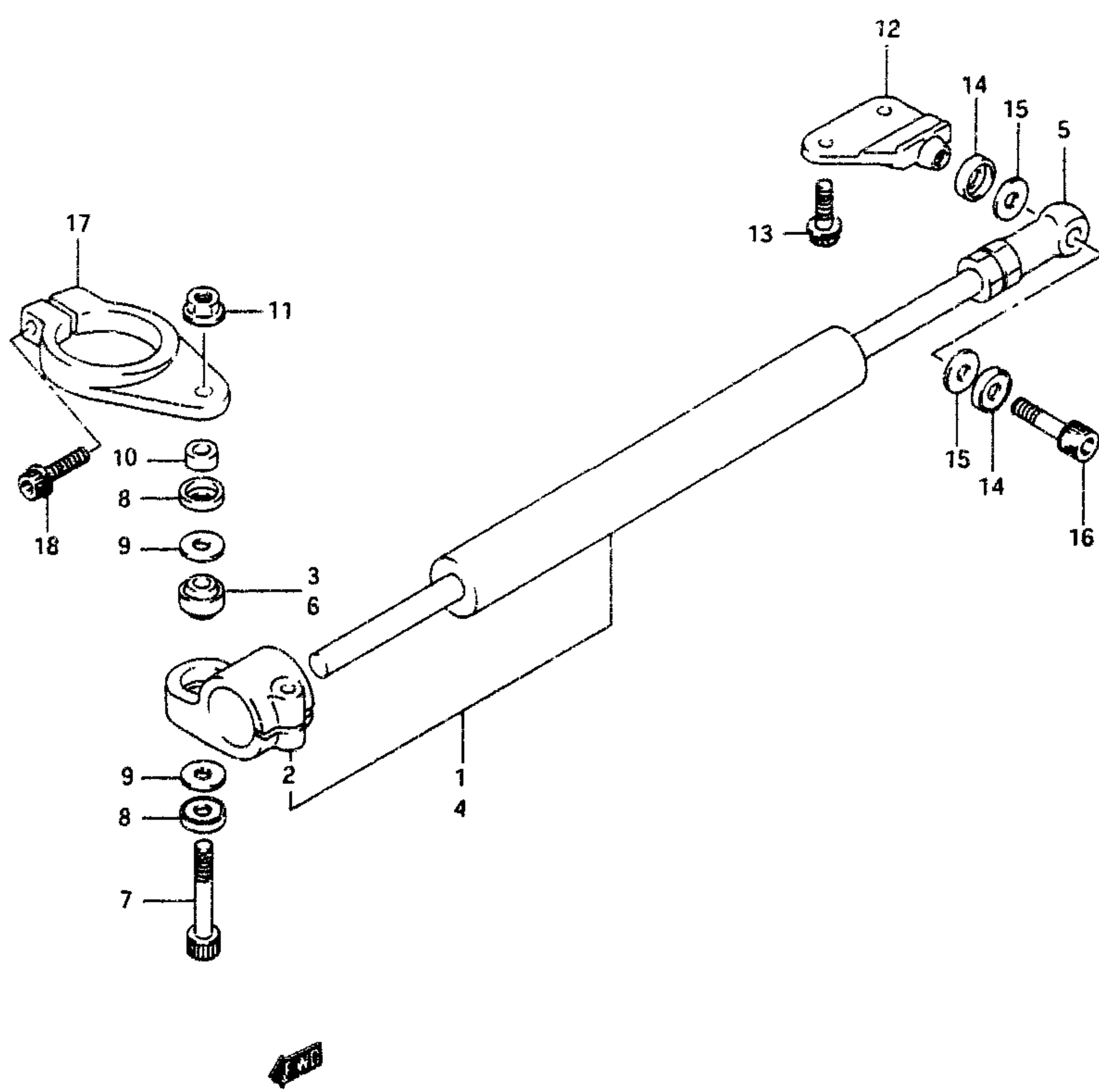
AIR CLEANER.....C-7	CLUTCH HOSE.....H-10	CYLINDER HEAD COVER..B-2	FRONT FENDER.....G-7	HEADLAMP.....E-9	REAR FENDER.....i-6	STAND.....F-3	WIRING HARNESS..E-12
ALTERNATOR.....E-3	CLUTCH MASTER CYL..H-9	ELECTRICAL.....E-7	FRONT MASTER CYL..H-8	MUFFLER.....C-8	REAR MASTER CYL..i-11	STARTER CLUTCH..B-11	
BATTERY.....E-6	COWLING.....J-4	FOOTREST.....F-4	FRONT WHEEL.....G-9	OIL COOLER.....C-9	REAR SWING ARM..i-2	STARTING MOTOR..E-2	SERIAL FRAME NUMBER
CAM CHAIN.....C-3	CRANKCASE.....B-5	FRAME.....F-2	FUEL COCK.....F-8	OIL PAN.....B-8	REAR WHEEL.....i-8	STEERING DAMPER..G-6	GSX-R1100K : JS1GV73A K2100001~
CAM SHAFT.....C-2	CRANKCASE COVER..B-7	FRAME COVER.....F-11	FUEL TANK.....F-6	OIL PUMP.....B-9	SEAT.....F-9	STEERING STEM...G-4	GSX-R1100L : JS1GV73A L2100001~
CARBURETOR.....C-4	CRANKSHAFT.....B-10	FRONT BRAKE HOSE...H-6	GEAR SHIFT.....D-5	OPTIONAL.....J-10	SEAT TAIL COVER..F-10	TAIL LAMP.....E-11	
CARBURETOR FITT..C-6	CYLINDER.....B-4	FRONT CALIPERS.....H-5	HANDLE SWI.....H-4	REAR CALIPER.....i-10	SIGNAL GENERATOR..E-5	TRANSMISSION....D-3	
CLUTCH.....D-2	CYLINDER HEAD....B-3	FRONT DAMPER.....G-2	HANDLEBAR.....H-2	REAR CUSHION LEVER..i-4	SPEEDOMETER.....E-8	TURNSIGNAL LAMP..E-10	

FIG. 39

G - 6

51

FIG. 39 (G- 6) STEERING DAMPER



REF.NO.	PART NO.	DESCRIPTION	Q'TY	REMARKS
1-1	51750-40C00	DAMPER ASSY, steering	1	model K
1-2	51750-40C02	DAMPER ASSY, steering	1	model K
2	51791-40C10	.BRACKET	1	model K
3-1	09269-08002	.BEARING	1	model K, for 51750-40C00
3-2	09269-08003	.BEARING	1	model K, for 51750-40C02
4	51750-40C20	DAMPER ASSY, steering	1	model L
5	51760-40C01	.END, lod	1	model L
6	09269-08003	.BEARING	1	model L
7	07110-08407	BOLT	1	
8	64339-40410	DUST SEAL	2	
9	08221-08126	SHIM	2	
10	09180-08130	SPACER	1	
11	08319-31087	NUT	1	
12	41684-40C00	BOSS, steering damper	1	
13	07120-06208	BOLT	2	
14	64339-40410	DUST SEAL	2	
15	08221-08126	SHIM	2	
16	07110-08357	BOLT	1	
17-1	51781-40C10	BRACKET, fork	1	model K
17-2	51781-40C40	BRACKET, fork	1	model L
18	07120-06258	BOLT, bracket	1	

GSX-R1100L E28

GSX-R1100L E28

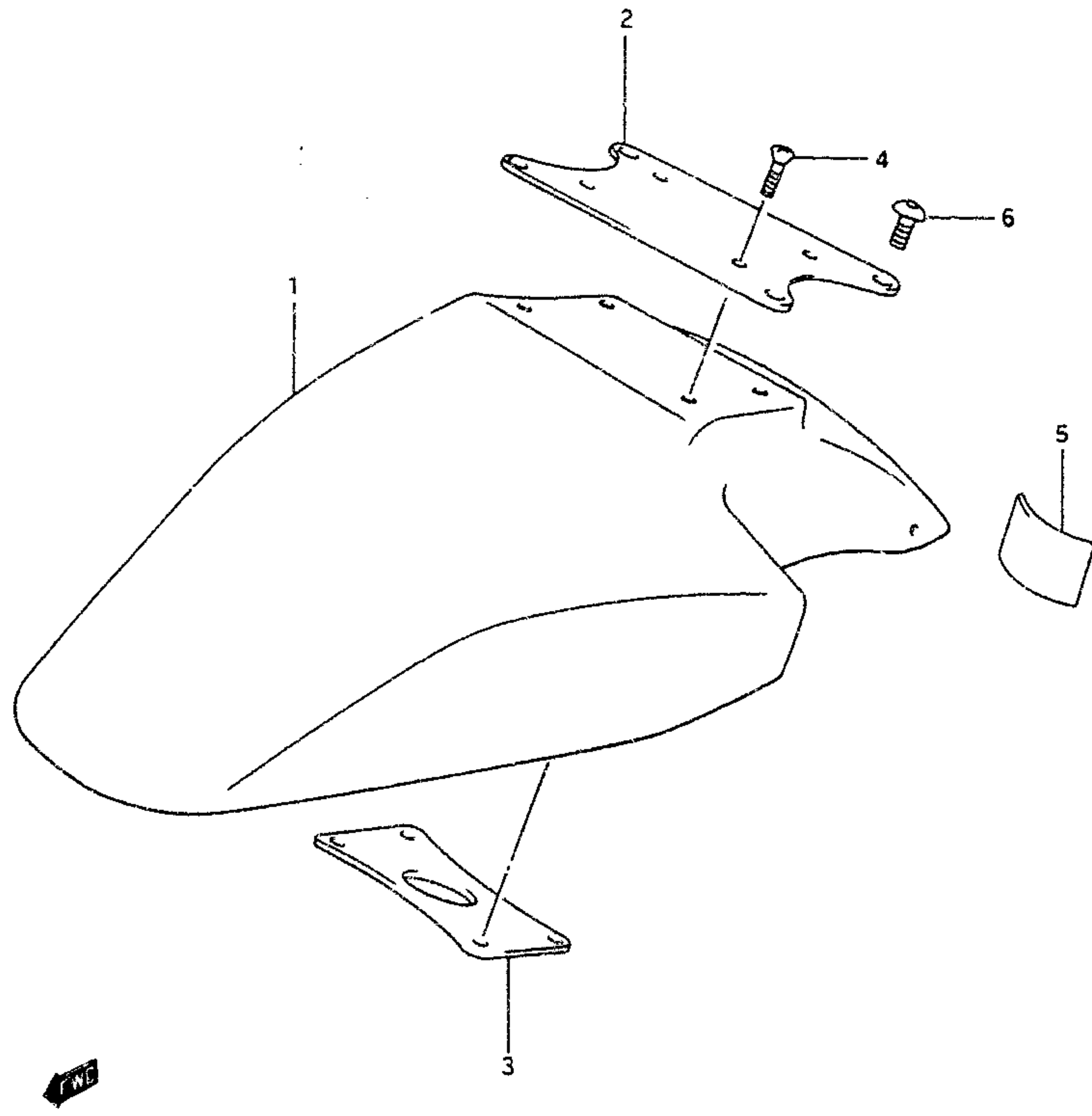
AIR CLEANER.....C-7	CLUTCH HOSE.....H-10	CYLINDER HEAD COVER..B-2	FRONT FENDER.....G-7	HEADLAMP.....E-9	REAR FENDER.....I-6	STAND.....F-3	WIRING HARNESS..E-12
ALTERNATOR.....E-3	CLUTCH MASTER CYL..H-9	ELECTRICAL.....E-7	FRONT MASTER CYL..H-8	MUFFLER.....C-8	REAR MASTER CYL..I-11	STARTER CLUTCH..B-11	
BATTERY.....E-6	COWLING.....J-4	FOOTREST.....F-4	FRONT WHEEL.....G-9	OIL COOLER.....C-9	REAR SWING ARM..I-2	STARTING MOTOR..E-2	SERIAL FRAME NUMBER
CAM CHAIN.....C-3	CRANKCASE.....B-5	FRAME.....C-3	FUEL COCK.....F-8	OIL PAN.....B-8	REAR WHEEL.....I-8	STEERING DAMPER..G-6	GSX-R1100K : JS1GV73A K2100001~
CAM SHAFT.....C-2	CRANKCASE COVER..B-7	FRAME COVER.....F-11	FUEL TANK.....F-6	OIL PUMP.....B-9	SEAT.....F-9	STEERING STEM...G-4	GSX-R1100L : JS1GV73A L2100001~
CARBURETOR.....C-4	CRANKSHAFT.....B-10	FRONT BRAKE HOSE...H-6	GEAR SHIFT.....D-5	OPTIONAL.....J-10	SEAT TAIL COVER..F-10	TAIL LAMP.....E-11	
CARBURETOR FITT..C-6	CYLINDER.....B-4	FRONT CALIPERS.....H-5	HANDLE SWI.....H-4	REAR CALIPER.....I-10	SIGNAL GENERATOR..E-5	TRANSMISSION....D-3	
CLUTCH.....D-2	CYLINDER HEAD.....B-3	FRONT DAMPER.....G-2	HANDLEBAR.....H-2	REAR CUSHION LEVER..I-4	SPEEDOMETER.....E-8	TURN SIGNAL LAMP..E-10	

FIG.40

G - 7

FIG.40 (G- 7) FRONT FENDER (model K)

REF.NO.	PART NO.	DESCRIPTION	Q'TY	REMARKS
1-1	53111-17C01-33N	FENDER, front (Blue)	1	for 9SR to 53111-17C21-33N
1-2	53111-17C01-33J	FENDER, front (Black)	1	for 3EE to 53111-17C21-33J
1-3	53111-17C21-33N	FENDER, front (Blue)	1	
1-4	53111-17C21-33J	FENDER, front (Black)	1	
2	53114-17C01	BRACE, front fender	1	
3	53210-17C00	BRACE, front fender inner	1	
4	09139-05032	SCREW	4	
5	53145-17C10	CUSHION	2	
6	09139-08007	SCREW	4	



Refer to FIG.40A(G-8) for model L

GSX-R1100L E28

GSX-R1100L E28

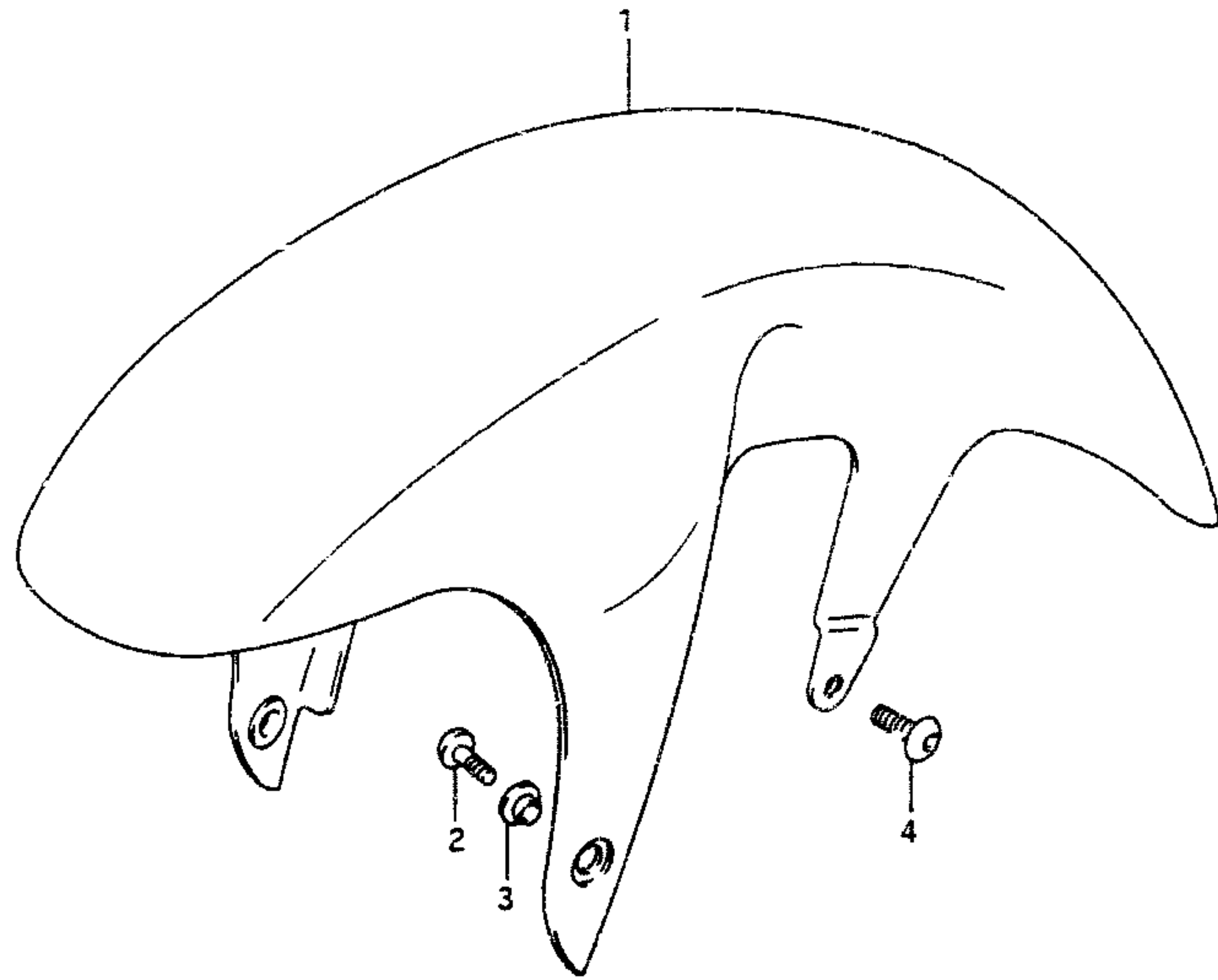
AIR CLEANER.....C-7	CLUTCH HOSE.....H-10	CYLINDER HEAD COVER.....B-2	FRONT FENDER.....G-7	HEADLAMP.....E-9	REAR FENDER.....I-6	STAND.....F-3	WIRING HARNESS.....E-12
ALTERNATOR.....E-3	CLUTCH MASTER CYL.....H-9	ELECTRICAL.....E-7	FRONT MASTER CYL.....H-8	MUFFLER.....C-8	REAR MASTER CYL.....I-11	STARTER CLUTCH.....B-11	
BATTERY.....E-6	COWLING.....J-4	FOOTREST.....F-4	FRONT WHEEL.....G-9	OIL COOLER.....C-9	REAR SWING ARM.....I-2	STARTING MOTOR.....E-2	SERIAL FRAME NUMBER
CAM CHAIN.....C-3	CRANKCASE.....B-5	FRAME.....F-2	FUEL COCK.....F-8	OIL PAN.....B-8	REAR WHEEL.....I-8	STEERING DAMPER.....G-6	GSX-R1100K : JS1GV73A K2100001~
CAM SHAFT.....C-2	CRANKCASE COVER.....B-7	FRAME COVER.....F-11	FUEL TANK.....F-6	OIL PUMP.....B-9	SEAT.....F-9	STEERING STEM.....G-4	GSX-R1100L : JS1GV73A L2100001~
CARBURETOR.....C-4	CRANKSHAFT.....B-10	FRONT BRAKE HOSE.....H-6	GEAR SHIFT.....D-5	OPTIONAL.....J-10	SEAT TAIL COVER.....F-10	TAIL LAMP.....E-11	
CARBURETOR FITT.....C-6	CYLINDER.....B-4	FRONT CALIPERS.....H-5	HANDLE SWI.....H-4	REAR CALIPER.....I-10	SIGNAL GENERATOR.....E-5	TRANSMISSION.....D-3	
CLUTCH.....D-2	CYLINDER HEAD.....B-3	FRONT DAMPER.....G-2	HANDLEBAR.....H-2	REAR CUSHION LEVER.....I-4	SPEEDOMETER.....E-8	TURNSIGNAL LAMP.....E-10	

FIG.40A

G - 8

FIG.40A(G- 8) FRONT FENDER (model L)

REF.NO.	PART NO.	DESCRIPTION	Q'TY	REMARKS
1-1	53110-17D20-DNE	FENDER, front (Blue)	1	for 3SH
1-2	53110-17D20-33J	FENDER, front (Black)	1	for 3CG
2	09139-06030	SCREW, front	2	
3	09161-06021	WASHER, front	2	
4	09139-08007	SCREW, rear	2	



GSX-R1100L E28

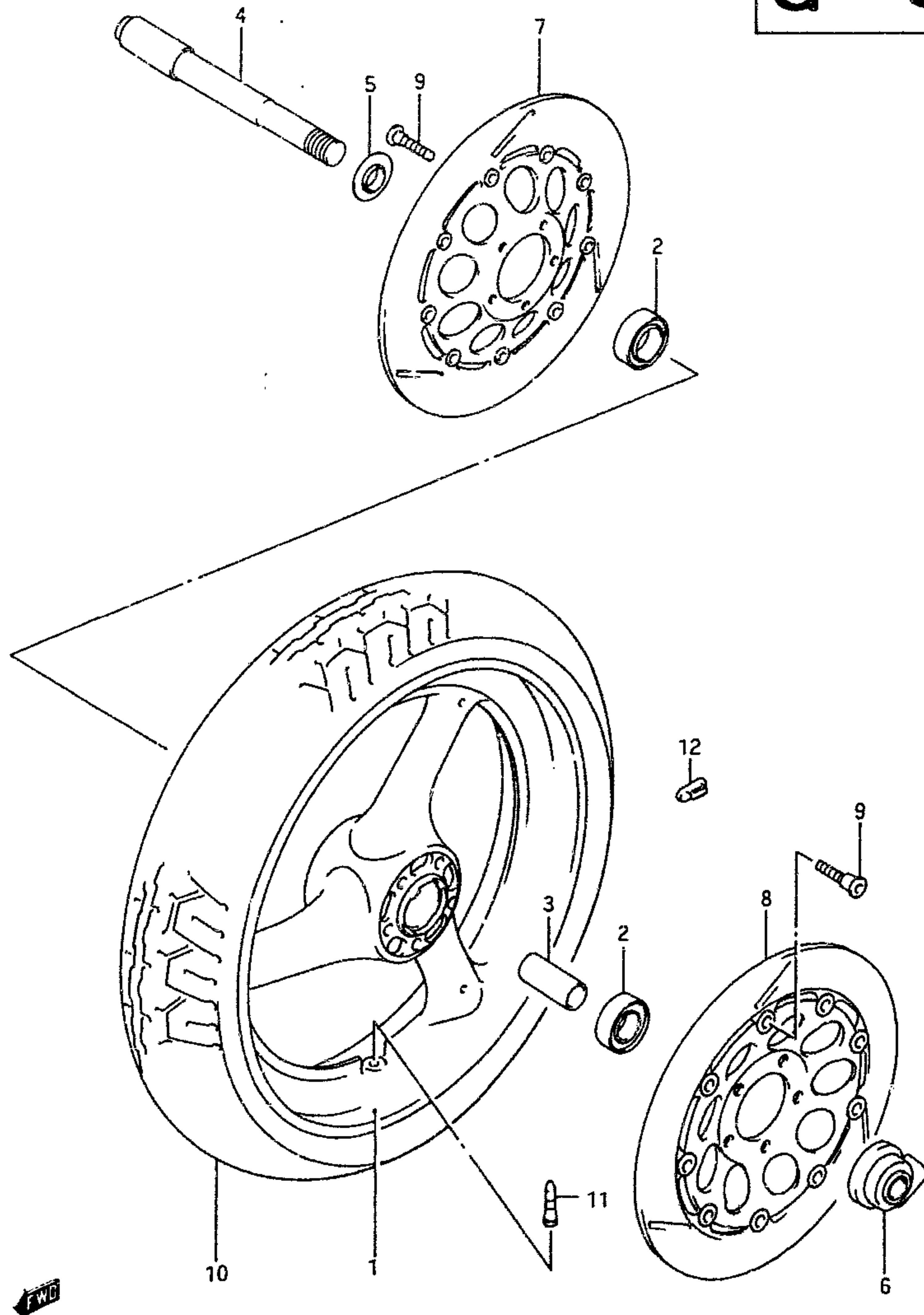
GSX-R1100L E28

AIR CLEANER.....C-7	CLUTCH HOSE.....H-10	CYLINDER HEAD COVER..B-2	FRONT FENDER.....G-7	HEADLAMP.....E-9	REAR FENDER.....I-6	STAND.....F-3	WIRING HARNESS..E-12
ALTERNATOR.....E-3	CLUTCH MASTER CYL..H-9	ELECTRICAL.....E-7	FRONT MASTER CYL..H-8	MUFFLER.....C-8	REAR MASTER CYL..I-11	STARTER CLUTCH..B-11	
BATTERY.....E-6	COWLING.....J-4	FOOTREST.....F-4	FRONT WHEEL.....G-9	OIL COOLER.....C-9	REAR SWING ARM...I-2	STARTING MOTOR..E-2	SERIAL FRAME NUMBER
CAM CHAIN.....C-3	CRANKCASE.....B-5	FRAME.....F-2	FUEL COCK.....F-8	OIL PAN.....B-8	REAR WHEEL.....I-8	STEERING DAMPER..G-6	GSX-R1100K : JSIGV73A K2100001~
CAM SHAFT.....C-2	CRANKCASE COVER...B-7	FRAME COVER.....F-1	FUEL TANK.....F-6	OIL PUMP.....B-9	SEAT.....F-9	STEERING STEM...G-4	GSX-R1100L : JSIGV73A L2100001~
CARBURETOR.....C-4	CRANKSHAFT.....B-10	FRONT BRAKE HOSE...H-6	GEAR SHIFT.....D-5	OPTIONAL.....J-10	SEAT TAIL COVER..F-10	TAIL LAMP.....E-11	
CARBURETOR FITT..C-6	CYLINDER.....B-4	FRONT CALIPERS.....H-5	HANDLE SWI.....H-4	REAR CALIPER.....I-10	SIGNAL GENERATOR..E-5	TRANSMISSION....D-3	
CLUTCH.....D-2	CYLINDER HEAD.....B-3	FRONT DAMPER.....G-2	HANDLEBAR.....H-2	REAR CUSHION LEVER..I-4	SPEEDOMETER.....E-8	TURNSIGNAL LAMP..E-10	

FIG. 41

G - 9

FIG. 41 (G- 9) FRONT WHEEL



REF.NO.	PART NO.	DESCRIPTION	Q'TY	REMARKS
1-1	54111-17C00-28W	WHEEL, front (MT3.50x17) White	1	for 9SR,3SH
1-2	54111-17C00-0FR	WHEEL, front (MT3.50x17) Silver	1	for 3EE
1-3	54111-17C00-12R	WHEEL, front (MT3.50x17) Silver	1	for 3CG
2	08123-62047	BEARING	2	
3	09180-20103	SPACER	1	
4-1	54711-17C00	AXLE, front (L:259.5)	1	model K
4-2	54711-17D00	AXLE, front (L:269.5)	1	model L
5	54740-17C00	SPACER, bearing RH	1	
6	54600-17C00	BOX, speedometer gear	1	
7	59210-40C01	DISC, front brake RH	1	
8	59220-40C01	DISC, front brake LH	1	
9	09106-08062	BOLT	10	
10-1	55110-17C20	TIRE, T/L front (120/70 ZR17) (MICHELIN)	1	model K Executed locally
10-2	55110-40C20	TIRE, T/L front (130/60 ZR17) (MICHELIN)	1	model L Executed locally
11	43130-24A00	VALVE	1	
12-1	55411-00A00	BALANCER (10g)	0-3	
12-2	55412-00A00	BALANCER (20g)	0-3	
12-3	55413-00A00	BALANCER (30g)	0-3	

GSX-R1100L E28

GSX-R1100L E28

AIR CLEANER.....C-7	CLUTCH HOSE.....H-10	CYLINDER HEAD COVER..B-2	FRONT FENDER.....G-7	HEADLAMP.....E-9	REAR FENDER.....i-6	STAND.....F-3	WIRING HARNESS..E-12
ALTERNATOR.....E-3	CLUTCH MASTER CYL..H-9	ELECTRICAL.....E-7	FRONT MASTER CYL..H-8	MUFFLER.....C-8	REAR MASTER CYL..i-11	STARTER CLUTCH..B-11	
BATTERY.....E-6	COWLING.....J-4	FOOTREST.....F-4	FRONT WHEEL.....G-9	OIL COOLER.....C-9	REAR SWING ARM...i-2	STARTING MOTOR..E-2	SERIAL FRAME NUMBER
CAM CHAIN.....C-3	CRANKCASE.....B-5	FRAME.....F-2	FUEL COCK.....F-8	OIL PAN.....B-8	REAR WHEEL.....i-8	STEERING DAMPER..G-6	GSX-R1100K : JSIGV73A K2100001~
CAM SHAFT.....C-2	CRANKCASE COVER...B-7	FRAME COVER.....F-11	FUEL TANK.....F-6	OIL PUMP.....B-9	SEAT.....F-9	STEERING STEM...G-4	GSX-R1100L : JSIGV73A L2100001~
CARBURETOR.....C-4	CRANKSHAFT.....B-10	FRONT BRAKE HOSE...H-6	GEAR SHIFT.....D-5	OPTIONAL.....J-10	SEAT TAIL COVER..F-10	TAIL LAMP.....E-11	
CARBURETOR FITT..C-6	CYLINDER.....B-4	FRONT CALIPERS.....H-5	HANDLE SWI.....H-4	REAR CALIPER.....i-10	SIGNAL GENERATOR..E-5	TRANSMISSION....D-3	
CLUTCH.....D-2	CYLINDER HEAD.....B-3	FRONT DAMPER.....G-2	HANDLEBAR.....H-2	REAR CUSHION LEVER..i-4	SPEEDOMETER.....E-8	TURN SIGNAL LAMP..E-10	

HANDLEBAR (model K)	H-2 HANDLEBAR (model L)	H-3 HANDLE SWITCH	H-4 FRONT CALIPERS	H-5 FRONT BRAKE HOSE (model K)	H-6 FRONT BRAKE HOSE (model L)
FRONT MASTER CYLINDER	H-8 CLUTCH MASTER CYLINDER	H-9 CLUTCH HOSE	H-10		

AIR CLEANER.....C-7	CLUTCH HOSE.....H-10	CYLINDER HEAD COVER..B-2	FRONT FENDER.....G-7	HEADLAMP.....E-9	REAR FENDER.....I-6	STAND.....F-3	WIRING HARNESS..E-12
ALTERNATOR.....E-3	CLUTCH MASTER CYL..H-9	ELECTRICAL.....E-7	FRONT MASTER CYL..H-8	MUFFLER.....C-8	REAR MASTER CYL..I-11	STARTER CLUTCH..B-11	
BATTERY.....E-6	COWLING.....J-4	FOOTREST.....F-4	FRONT WHEEL.....G-9	OIL COOLER.....C-9	REAR SWING ARM...I-2	STARTING MOTOR..E-2	SERIAL FRAME NUMBER
CAM CHAIN.....C-3	CRANKCASE.....B-5	FRAME.....F-2	FUEL COCK.....F-8	OIL PAN.....B-8	REAR WHEEL.....I-8	STEERING DAMPER..G-6	GSX-R1100K : JS1GV73A K2100001~
CAM SHAFT.....C-2	CRANKCASE COVER...B-7	FRAME COVER.....F-11	FUEL TANK.....F-6	OIL PUMP.....B-9	SEAT.....F-9	STEERING STEM...G-4	GSX-R1100L : JS1GV73A L2100001~
CARBURETOR.....C-4	CRANKSHAFT.....B-10	FRONT BRAKE HOSE...H-6	GEAR SHIFT.....D-5	OPTIONAL.....J-10	SEAT TAIL COVER..F-10	TAIL LAMP.....E-11	
CARBURETOR FITT..C-6	CYLINDER.....B-4	FRONT CALIPERS.....H-5	HANDLE SWI.....H-4	REAR CALIPER.....I-10	SIGNAL GENERATOR..E-5	TRANSMISSION...D-3	
CLUTCH.....D-2	CYLINDER HEAD...B-3	FRONT DAMPER.....G-2	HANDLEBAR.....H-2	REAR CUSHION LEVER..I-4	SPEEDOMETER.....E-8	TURN SIGNAL LAMP..E-10	

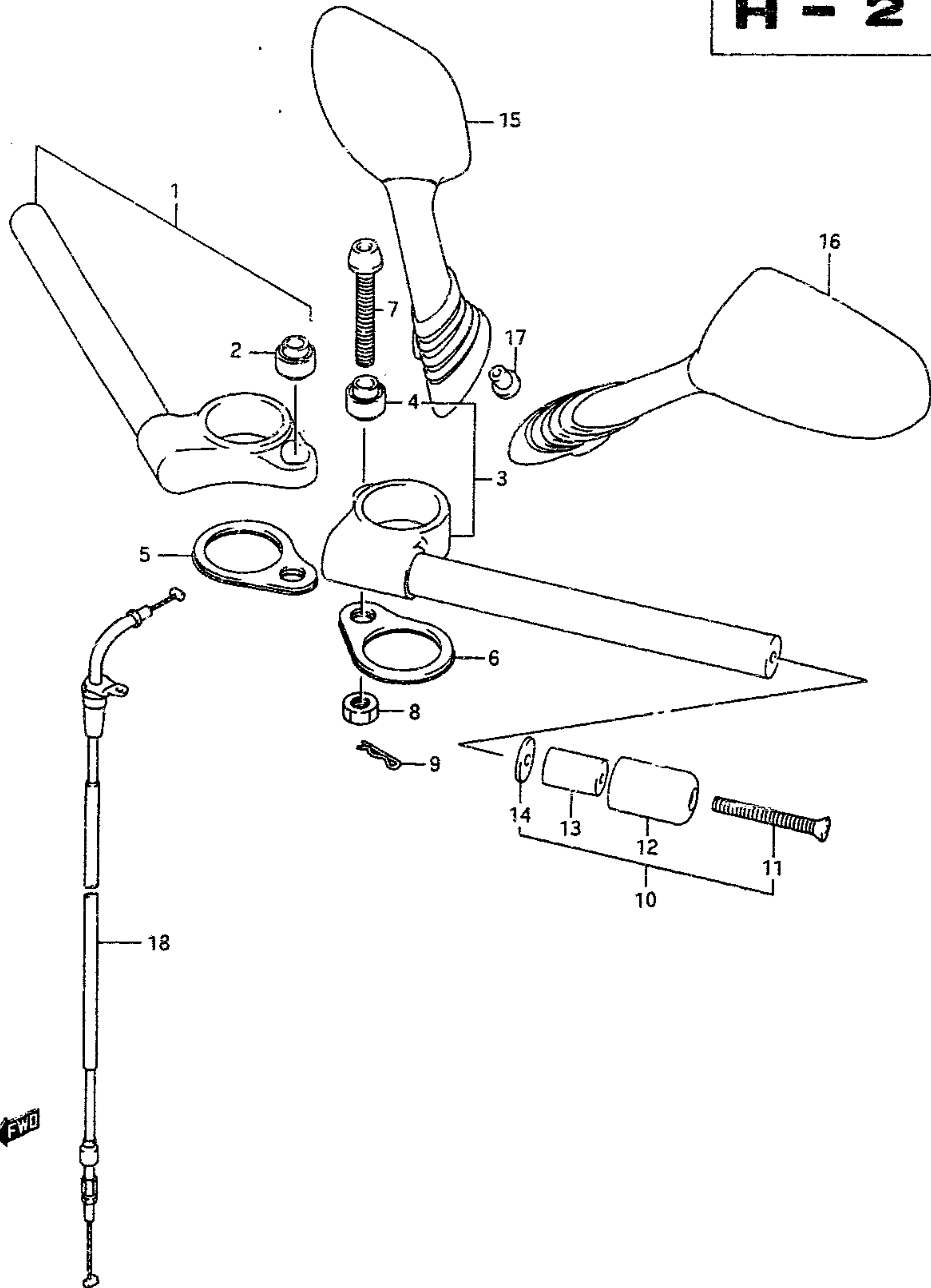
FIG.42

H - 2

FIG.42 (H- 2) HANDLEBAR (model K)

REF.NO.	PART NO.	DESCRIPTION	Q'TY	REMARKS
1	56110-40C1C	HANDLEBAR SET, RH	1	
2	09319-10062	.BUSH	1	
3	56150-40C10	HANDLEBAR SET, LH	1	
4	09319-10062	.BUSH	1	
5	56240-40C01	CUSHION, RH	1	
6	56260-40C01	CUSHION, LH	1	
7	56231-40C01	BOLT	2	
8	08310-22107	NUT	2	
9	09385-10005	CLIP	2	
10	56200-40810	BALANCER SET	2	to 56200-40811
11	09127-06D15	.SCREW	2	
12	56274-40C00	.CAP	2	to 56274-40C10 W/56271-40C10
13	56271-40C00	.BALANCER	2	
14	56275-34400	.SPACER	2	
15-1	56500-40C02-33J	MIRROR ASSY, rear view RH (Black)	1	
15-2	56500-40C02-22R	MIRROR ASSY, rear view RH (White)	1	
16-1	56600-40C02-33J	MIRROR ASSY, rear view LH (Black)	1	
16-2	56600-40C02-22R	MIRROR ASSY, rear view LH (White)	1	
17	56619-17C00	NUT, mirror	4	
18	58300-17C01	CABLE ASSY, throttle	1	

Refer to FIG.42A(H-3) for model L



GSX-R1100L E28

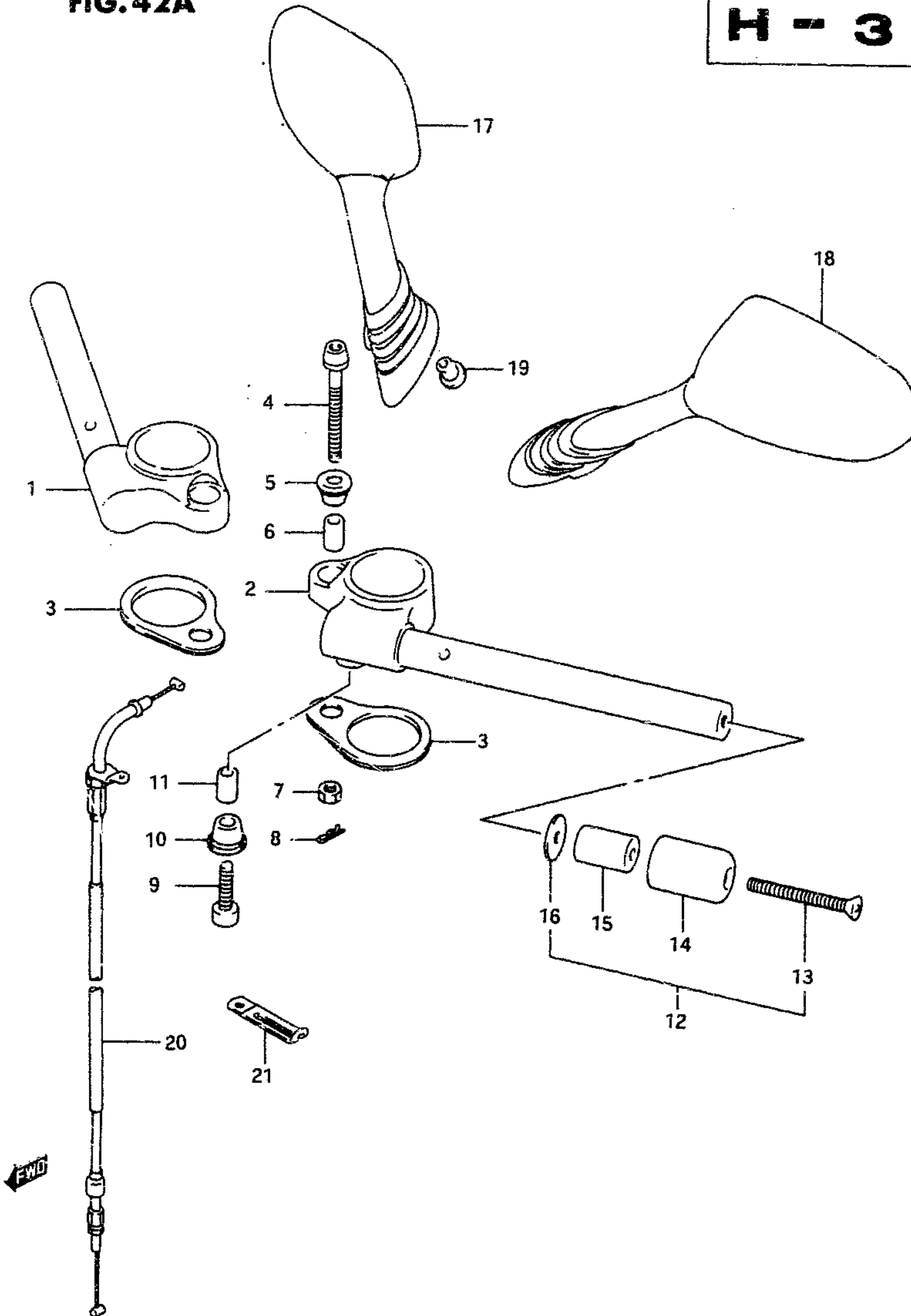
GSX-R1100L E28

AIR CLEANER.....C-7	CLUTCH HOSE.....H-10	CYLINDER HEAD COVER..B-2	FRONT FENDER.....G-7	HEADLAMP.....E-9	REAR FENDER.....I-6	STAND.....F-3	WIRING HARNESS..E-12
ALTERNATOR.....E-3	CLUTCH MASTER CYL..H-9	ELECTRICAL.....E-7	FRONT MASTER CYL..H-8	MUFFLER.....C-8	REAR MASTER CYL...I-11	STARTER CLUTCH..B-11	
BATTERY.....E-6	COWLING.....J-4	FOOTREST.....F-4	FRONT WHEEL.....G-9	OIL COOLER.....C-9	REAR SWING ARM...I-2	STARTING MOTOR..E-2	SERIAL FRAME NUMBER
CAM CHAIN.....C-3	CRANKCASE.....B-5	FRAME.....F-2	FUEL COCK.....F-8	OIL PAN.....B-8	REAR WHEEL.....I-8	STEERING DAMPER..G-6	GSX-R1100K : JSIGV73A K2100001~
CAM SHAFT.....C-2	CRANKCASE COVER..B-7	FRAME COVER.....F-11	FUEL TANK.....F-6	OIL PUMP.....B-9	SEAT.....F-9	STEERING STEM...G-4	GSX-R1100L : JSIGV73A L2100001~
CARBURETOR.....C-4	CRANKSHAFT.....B-10	FRONT BRAKE HOSE...H-6	GEAR SHIFT.....D-5	OPTIONAL.....J-10	SEAT TAIL COVER..F-10	TAIL LAMP.....E-11	
CARBURETOR FITT..C-6	CYLINDER.....B-4	FRONT CALIPERS.....H-5	HANDLE SWI.....H-4	REAR CALIPER.....I-10	SIGNAL GENERATOR..E-5	TRANSMISSION....D-3	
CLUTCH.....D-2	CYLINDER HEAD.....B-3	FRONT DAMPER.....G-2	HANDLEBAR.....H-2	REAR CUSHION LEVER..I-4	SPEEDOMETER.....E-8	TURN SIGNAL LAMP..E-10	

FIG.42A

H - 3

FIG.42A(H- 3) HANDLEBAR (model L)



REF.NO.	PART NO.	DESCRIPTION	Q'TY	REMARKS
1	56111-40C20	HANDLEBAR SET, RH	1	
2	56151-40C20	HANDLEBAR SET, LH	1	
3	56240-40C10	CUSHION	2	
4	56231-40C10	BOLT	2	
5	56190-40C10	CUSHION	2	
6	56243-40C10	SPACER	2	
7	08310-22088	NUT	2	
8	09385-08005	CLIP	2	
9	07110-08307	BOLT	2	
10	56190-40C10	CUSHION	2	
11	56243-40C10	SPACER	2	
12	56200-40811	BALANCER SET	2	
13	09127-06015	.SCREW	2	
14	56274-40C10	.CAP	2	
15	56271-40C10	.BALANCER	2	
16	56275-34400	.SPACER	2	
17-1	56500-40C11-33J	MIRROR ASSY, rear view RH (Black)	1	for 3CG
17-2	56500-40C11-ONE	MIRROR ASSY, rear view RH (Blue)	1	for 3SH
18-1	56600-40C11-33J	MIRROR ASSY, rear view LH (Black)	1	for 3CG
18-2	56600-40C11-ONE	MIRROR ASSY, rear view LH (Blue)	1	for 3SH
19	56619-17C00	NUT, mirror	4	
20	58300-17C01	CABLE ASSY, throttle	1	
21	09404-06413	CLAMP	1	

GSX-R1100L E28

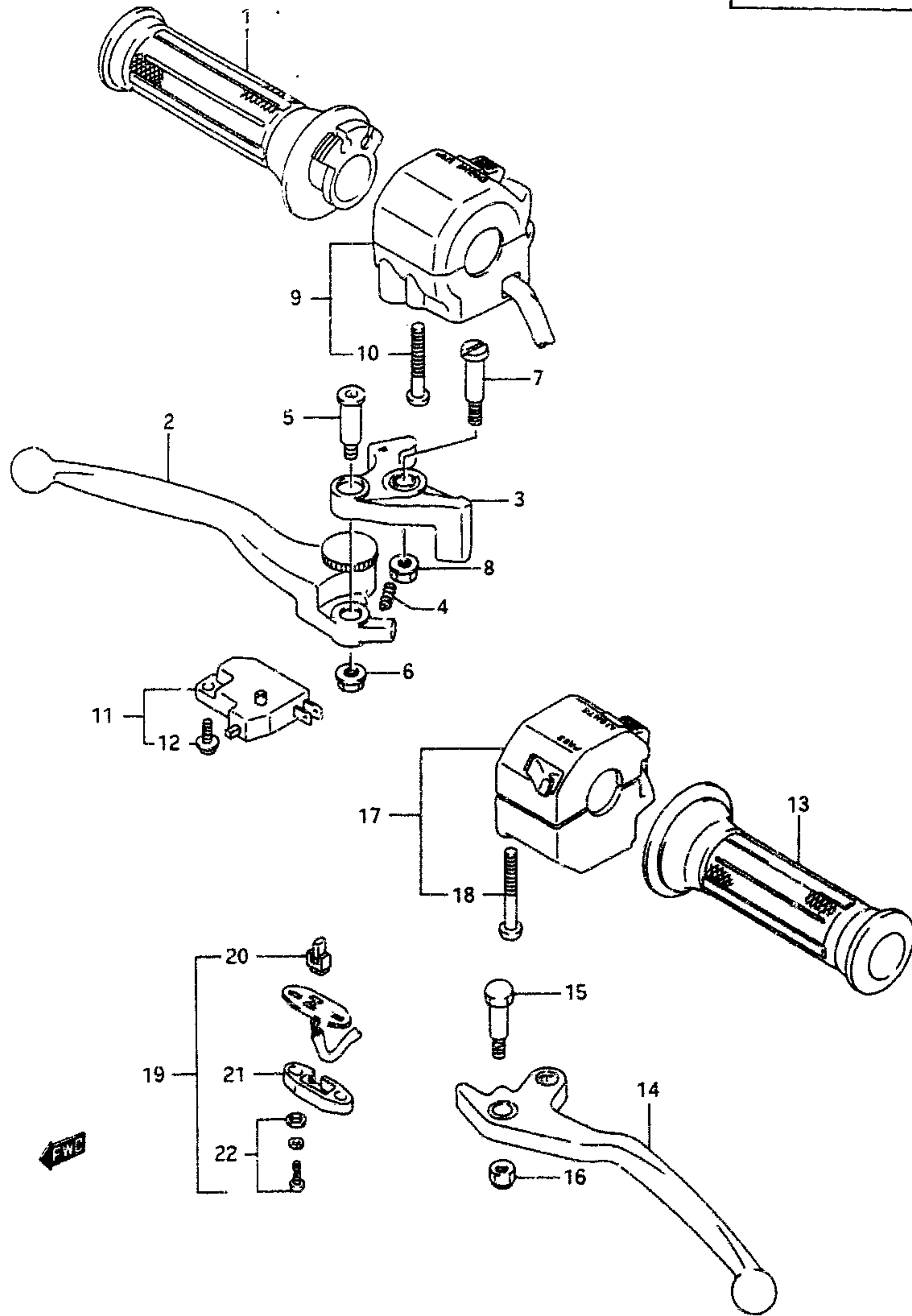
GSX-R1100L E28

AIR CLEANER.....C-7	CLUTCH HOSE.....H-10	CYLINDER HEAD COVER..B-2	FRONT FENDER.....G-7	HEADLAMP.....E-9	REAR FENDER.....I-6	STAND.....F-3	WIRING HARNESS..E-12
ALTERNATOR.....E-3	CLUTCH MASTER CYL..H-9	ELECTRICAL.....E-7	FRONT MASTER CYL..H-8	MUFFLER.....C-8	REAR MASTER CYL..I-11	STARTER CLUTCH..B-11	
BATTERY.....E-6	COWLING.....J-4	FOOTREST.....F-4	FRONT WHEEL.....G-9	OIL COOLER.....C-9	REAR SWING ARM...I-2	STARTING MOTOR..E-2	SERIAL FRAME NUMBER
CAM CHAIN.....C-3	CRANKCASE.....B-5	FRAME.....F-2	FUEL COCK.....F-8	OIL PAN.....B-8	REAR WHEEL.....I-8	STEERING DAMPER..G-6	GSX-R1100K : JSIGV73A K2100001~
CAM SHAFT.....C-2	CRANKCASE COVER..B-7	FRAME COVER.....F-11	FUEL TANK.....F-6	OIL PUMP.....B-9	SEAT.....F-9	STEERING STEM...G-4	GSX-R1100L : JSIGV73A L2100001~
CARBURETOR.....C-4	CRANKSHAFT.....B-10	FRONT BRAKE HOSE...H-6	GEAR SHIFT.....D-5	OPTIONAL.....J-10	SEAT TAIL COVER..F-10	TAIL LAMP.....E-11	
CARBURETOR FITT..C-6	CYLINDER.....B-4	FRONT CALIPERS.....H-5	HANDLE SWI.....H-4	REAR CALIPER.....I-10	SIGNAL GENERATOR..E-5	TRANSMISSION....D-3	
CLUTCH.....D-2	CYLINDER HEAD.....B-3	FRONT DAMPER.....G-2	HANDLEBAR.....H-2	REAR CUSHION LEVER..I-4	SPEEDOMETER.....E-8	TURN SIGNAL LAMP..E-10	

FIG. 43

H - 4

FIG. 43 (H- 4) HANDLE SWITCH



REF.NO.	PART NO.	DESCRIPTION	Q'TY	REMARKS
1	57110-49501	GRIP, throttle	1	
2	57420-32C00	LEVER, adjust	1	
3	57430-40C00	KNOCKER	1	
4	57438-32C00	.SPRING	1	
5	57437-32C00	BOLT	1	
6	08319-31065	NUT	1	
7	57431-17C00	BOLT, lever	1	
8	08316-16064	NUT	1	
9	37200-17C30	SWITCH ASSY, handle RH	1	
10	02112-05455	.SCREW	2	
11	57460-17C00	SWITCH ASSY, stop	1	
12	57465-17C00	.SCREW	1	
13	57211-49500	GRIP, LH	1	
14	57620-40C00	LEVER, clutch	1	
15	57431-05A00	BOLT	1	
16	08319-21065	NUT	1	
17	37400-17C10	SWITCH ASSY, handle LH	1	
18	02112-05455	.SCREW	2	
19	57560-08A00	SWITCH ASSY, clutch	1	
20	57465-18601	.HOLDER	1	
21	57481-33010	.COVER	1	
22	09125-03105	.SCREW	2	

GSX-R1100L E28

GSX-R1100L E28

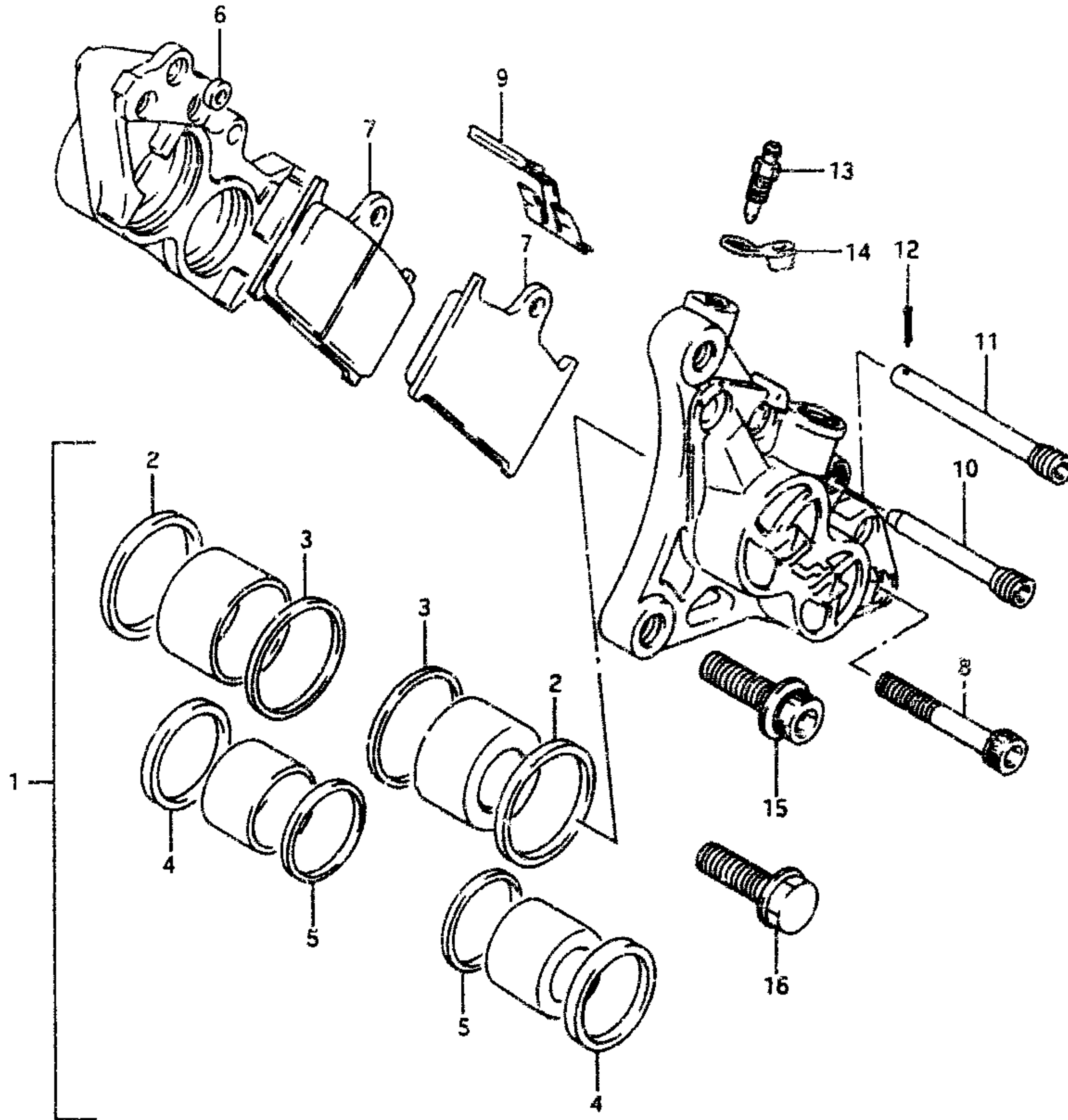
AIR CLEANER.....C-7	CLUTCH HOSE.....H-10	CYLINDER HEAD COVER..B-2	FRONT FENDER.....G-7	HEADLAMP.....E-9	REAR FENDER.....I-6	STAND.....F-3	WIRING HARNESS..E-12
ALTERNATOR.....E-3	CLUTCH MASTER CYL..H-9	ELECTRICAL.....E-7	FRONT MASTER CYL..H-8	MUFFLER.....C-8	REAR MASTER CYL..I-11	STARTER CLUTCH..B-11	
BATTERY.....E-6	COWLING.....J-4	FOOTREST.....F-4	FRONT WHEEL.....G-9	OIL COOLER..C-9	REAR SWING ARM...i-2	STARTING MOTOR..E-2	SERIAL FRAME NUMBER
CAM CHAIN.....C-3	CRANKCASE.....B-5	FRAME.....F-2	FUEL COCK.....F-8	OIL PAN.....B-8	REAR WHEEL.....i-8	STEERING DAMPER..G-6	GSX-R1100K : JS1GV73A K2100001~
CAM SHAFT.....C-2	CRANKCASE COVER..B-7	FRAME COVER.....F-11	FUEL TANK.....F-6	OIL PUMP.....B-9	SEAT.....F-9	STEERING STEM...G-4	GSX-R1100L : JS1GV73A L2100001~
CARBURETOR.....C-4	CRANKSHAFT.....B-10	FRONT BRAKE HOSE...H-6	GEAR SHIFT.....D-5	OPTIONAL.....J-10	SEAT TAIL COVER..F-10	TAIL LAMP.....E-11	
CARBURETOR FITT..C-6	CYLINDER.....B-4	FRONT CALIPERS.....H-5	HANDLE SWI.....H-4	REAR CALIPER.....I-10	SIGNAL GENERATOR..E-5	TRANSMISSION....D-3	
CLUTCH.....D-2	CYLINDER HEAD.....B-3	FRONT DAMPER.....G-2	HANDLEBAR.....H-2	REAR CUSHION LEVER..i-4	SPEEDOMETER.....E-8	TURN SIGNAL LAMP..E-10	

FIG. 44

H - 5

FIG. 44 (H- 5) FRONT CALIPERS

REF.NO.	PART NO.	DESCRIPTION	Q'TY	REMARKS
	59100-40C00	CALIPER ASSY, RH	1	model K, to 59100-40C01
	59300-40C00	CALIPER ASSY, LH	1	model K, to 59300-40C01
	59100-40C01	CALIPER ASSY, RH	1	model L
	59300-40C01	CALIPER ASSY, LH	1	model L
1	59100-17830	.PISTON SET	2	
2	59107-13A00	..SEAL, piston	4	
3	59108-13A00	..BOOT	4	
4	59107-17C00	..SEAL, piston	4	
5	59108-17C00	..BOOT	4	
6	69107-17C00	..SEAL	4	
7	59130-40C00	.PAD	4	
8	59145-17C00	.BOLT, housing	8	
9	59315-17C00	.SPRING	2	
10	59345-00820	.PIN	2	model K
11	59345-33C00	.PIN	2	model L
12	04111-16158	.PIN, cotter	2	model L for 59345-33C00
13	59121-01A00	.BLEEDER	2	
14	59122-01A00	.CAP	2	
15	07120-10305	BOLT	4	model K
16	01517-10305	BOLT	4	model K/L



GSX-R1100L E28

GSX-R1100L E28

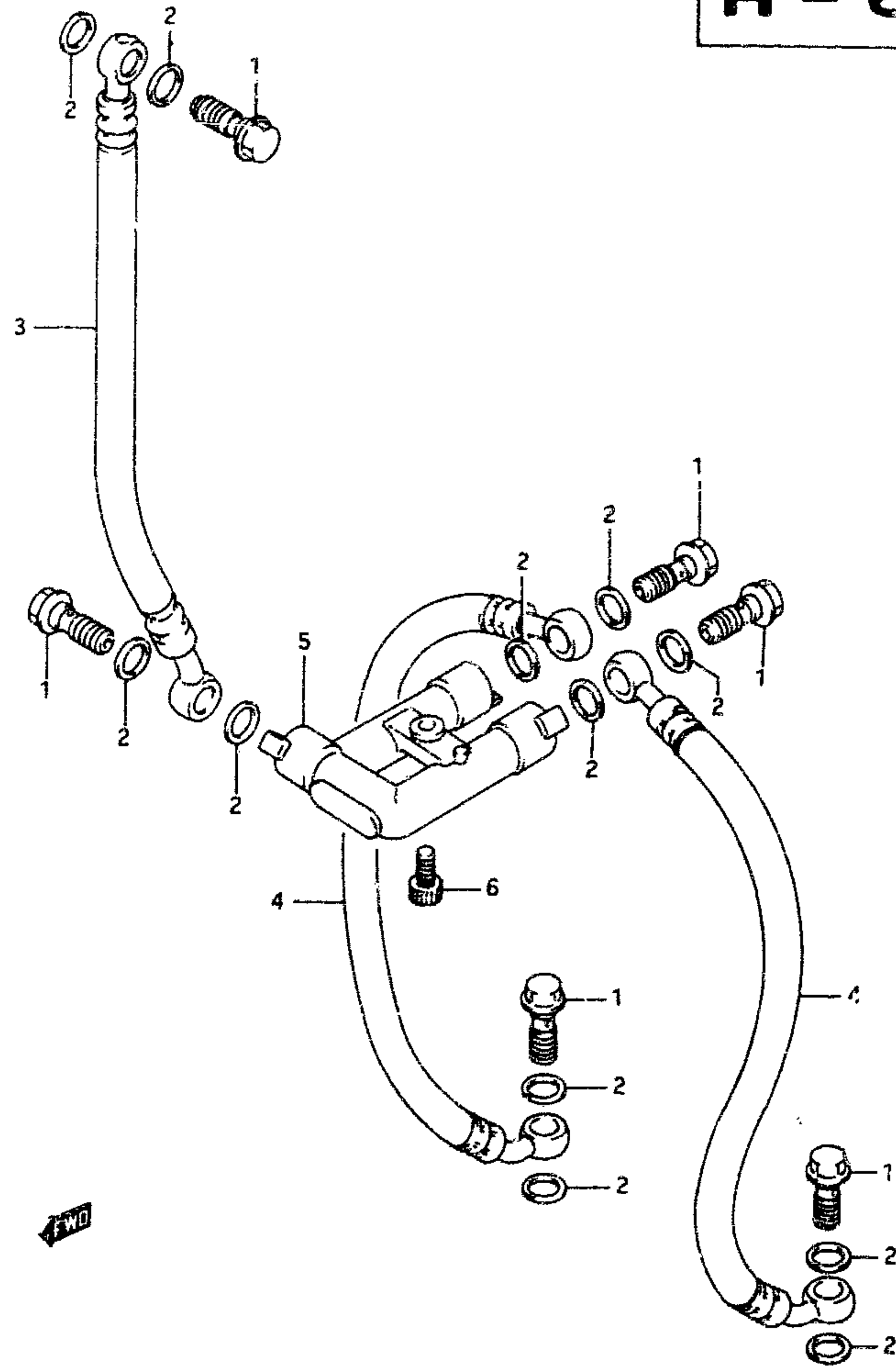
AIR CLEANER.....C-7	CLUTCH HOSE.....H-10	CYLINDER HEAD COVER..E-2	FRONT FENDER.....G-7	HEADLAMP.....E-9	REAR FENDER.....I-6	STAND.....F-3	WIRING HARNESS..E-12
ALTERNATOR.....E-3	CLUTCH MASTER CYL..H-9	ELECTRICAL.....E-7	FRONT MASTER CYL..H-8	MUFFLER.....C-8	REAR MASTER CYL..I-11	STARTER CLUTCH..B-11	
BATTERY.....E-6	COWLING.....J-4	FOOTREST.....F-4	FRONT WHEEL.....G-9	OIL COOLER.....C-9	REAR SWING ARM..I-2	STARTING MOTOR..E-2	SERIAL FRAME NUMBER
CAM CHAIN.....C-3	CRANKCASE.....B-5	FRAME.....F-2	FUEL COCK.....F-8	OIL PAN.....B-8	REAR WHEEL.....I-8	STEERING DAMPER..G-6	GSX-R1100K : JS1GV73A K2100001~
CAM SHAFT.....C-2	CRANKCASE COVER..B-7	FRAME COVER.....F-11	FUEL TANK.....F-6	OIL PUMP.....B-9	SEAT.....F-9	STEERING STEM..G-4	GSX-R1100L : JS1GV73A L2100001~
CARBURETOR.....C-4	CRANKSHAFT.....B-10	FRONT BRAKE HOSE...H-6	GEAR SHIFT.....D-5	OPTIONAL.....J-10	SEAT TAIL COVER..F-10	TAIL LAMP.....E-11	
CARBURETOR FITT..C-6	CYLINDER.....B-4	FRONT CALIPERS.....H-5	HANDLE SWI.....H-4	REAR CALIPER.....I-10	SIGNAL GENERATOR..E-5	TRANSMISSION....D-3	
CLUTCH.....D-2	CYLINDER HEAD.....B-3	FRONT DAMPER.....G-2	HANDLEBAR.....H-2	REAR CUSHION LEVER..I-4	SPEEDOMETER.....E-8	TURN SIGNAL LAMP..E-10	

FIG. 45

H - 6

59

FIG. 45 (H- 6) FRONT BRAKE HOSE (model K)



REF. NO.	PART NO.	DESCRIPTION	Q'TY	REMARKS
1	09360-10017	BOLT	6	
2	09161-10009	WASHER	12	
3	59480-40C00	HOSE, front brake No.1	1	
4	59240-40C00	HOSE, front brake No.2	2	
5	59491-40C00	JOINT, brake hose (Black)	1	to 59491-40C01
6	07110-06165	BOLT	1	

Refer to FIG.45A(H-7) for model L

GSX-R1100L E28

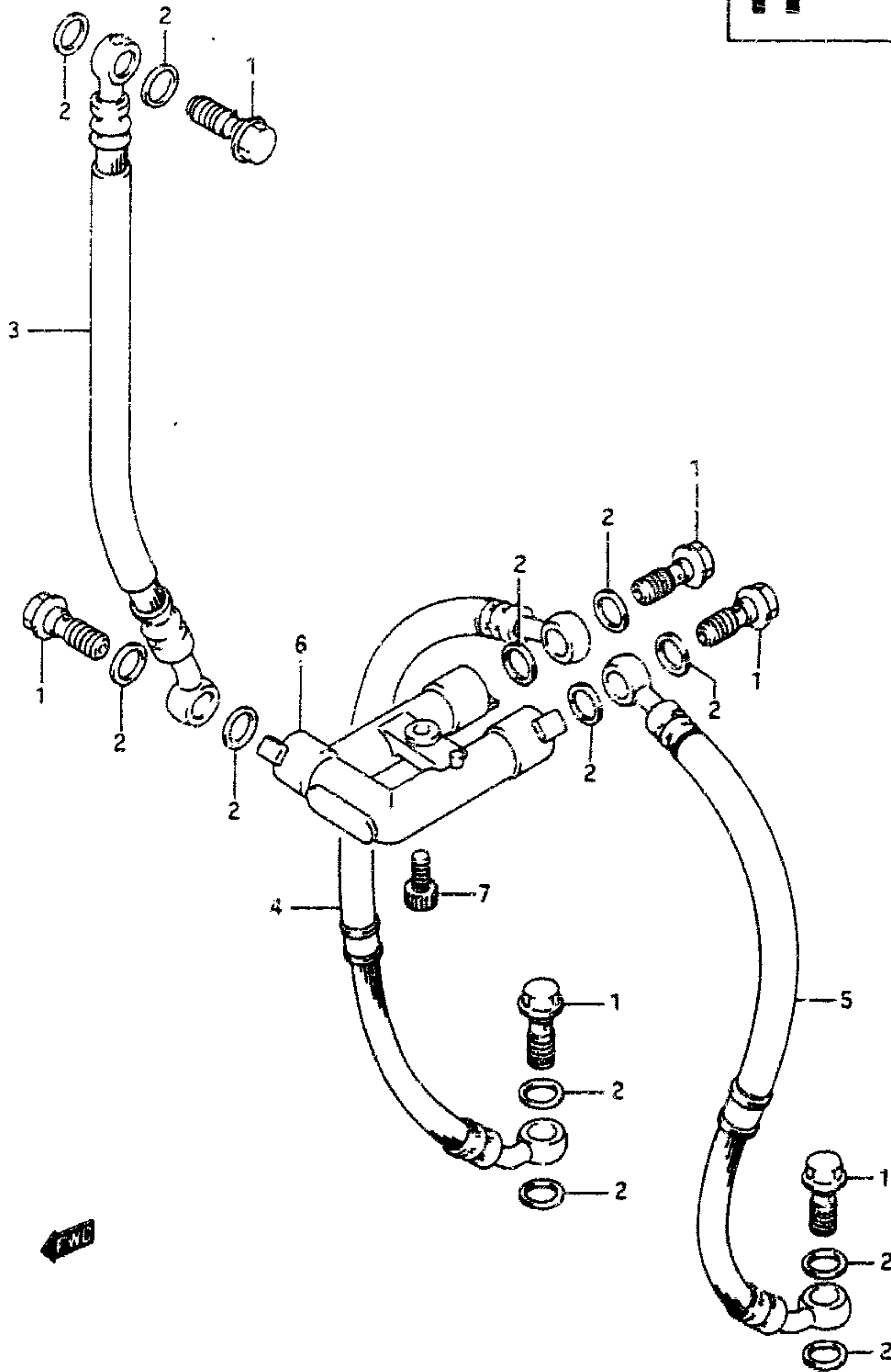
GSX-R1100L E28

AIR CLEANER.....C-7	CLUTCH HOSE.....H-10	CYLINDER HEAD COVER..B-2	FRONT FENDER.....G-7	HEADLAMP.....E-9	REAR FENDER.....I-6	STAND.....F-3	WIRING HARNESS..E-12
ALTERNATOR.....E-3	CLUTCH MASTER CYL..H-9	ELECTRICAL.....E-7	FRONT MASTER CYL..H-8	MUFFLER.....C-8	REAR MASTER CYL..I-11	STARTER CLUTCH..B-11	
BATTERY.....E-6	COWLING.....J-4	FOOTREST.....F-4	FRONT WHEEL.....G-9	OIL COOLER.....C-9	REAR SWING ARM..I-2	STARTING MOTOR..E-2	SERIAL FRAME NUMBER
CAM CHAIN.....C-3	CRANKCASE.....B-5	FRAME.....F-2	FUEL COCK.....F-8	OIL PAN.....B-8	REAR WHEEL.....I-8	STEERING DAMPER..G-6	GSX-R1100K : JS1GV73A K2100001~
CAM SHAFT.....C-2	CRANKCASE COVER..B-7	FRAME COVER.....F-11	FUEL TANK.....F-6	OIL PUMP.....B-9	SEAT.....F-9	STEERING STEM...G-4	GSX-R1100L : JS1GV73A L2100001~
CARBURETOR.....C-4	CRANKSHAFT.....B-10	FRONT BRAKE HOSE...H-6	GEAR SHIFT.....D-5	OPTIONAL.....J-10	SEAT TAIL COVER..F-10	TAIL LAMP.....E-11	
CARBURETOR FITT..C-6	CYLINDER.....B-4	FRONT CALIPERS.....H-5	HANDLE SWI.....H-4	REAR CALIPER.....I-10	SIGNAL GENERATOR..E-5	TRANSMISSION....D-3	
CLUTCH.....D-2	CYLINDER HEAD....B-3	FRONT DAMPER.....G-2	HANDLEBAR.....H-2	REAR CUSHION LEVER..I-4	SPEEDOMETER.....E-8	TURNSIGNAL LAMP..E-10	

FIG. 45A

H - 7

FIG. 45A(H- 7) FRONT BRAKE HOSE (model L)



REF.NO.	PART NO.	DESCRIPTION	Q'TY	REMARKS
1	09360-10017	BOLT	6	
2	09161-10009	WASHER	12	
3	59480-40C10	HOSE, front brake No.1	1	
4	59240-40C20	HOSE, front brake No.2,RH	1	
5	59440-40C20	HOSE, front brake No.2,LH	1	
6	59491-40C01	JOINT, brake hose (White)	1	
7	07110-06165	BOLT	1	

GSX-R1100L E28

GSX-R1100L E28

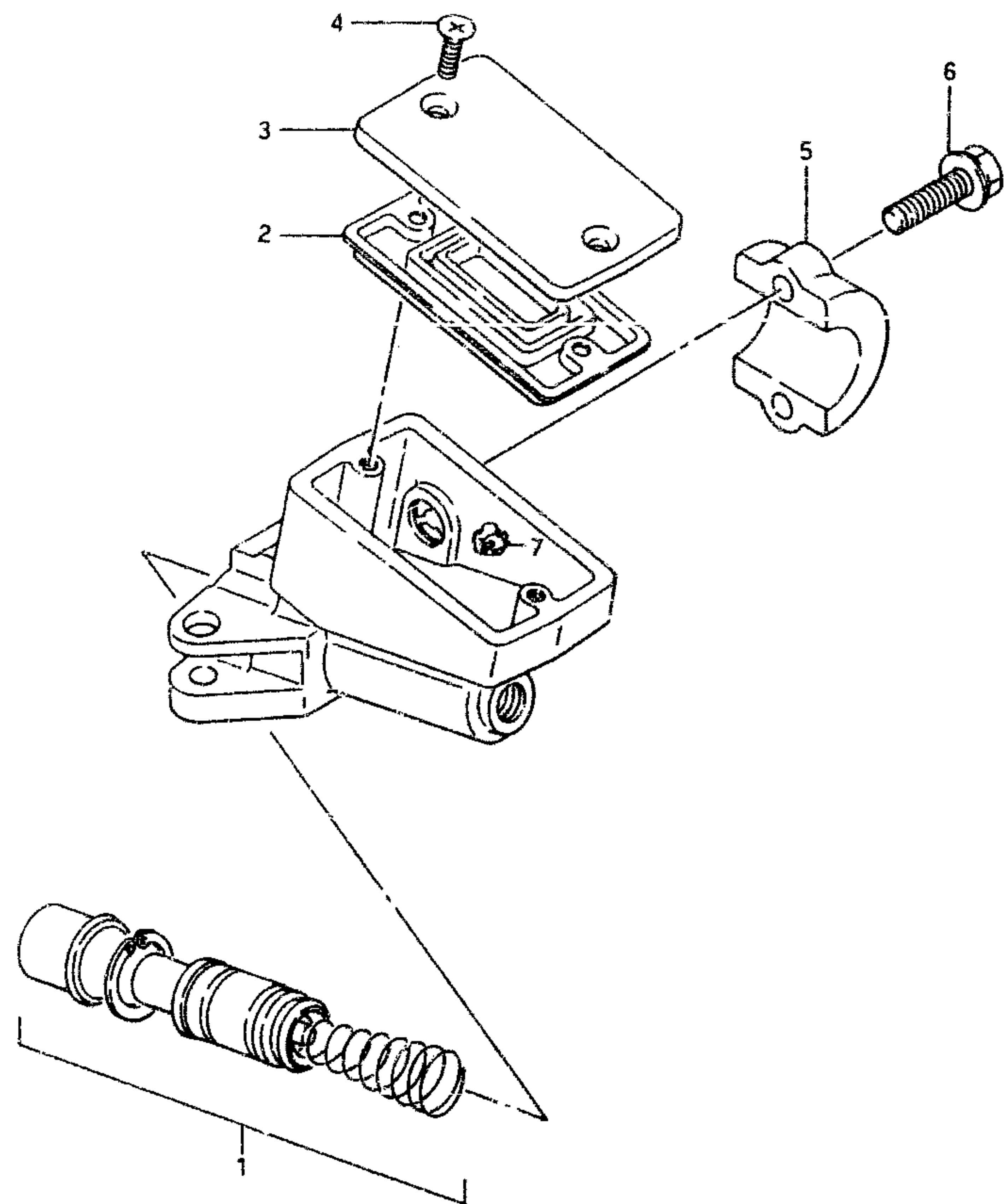
AIR CLEANER.....C-7	CLUTCH HOSE.....H-10	CYLINDER HEAD COVER..B-2	FRONT FENDER.....G-7	HEADLAMP.....E-9	REAR FENDER.....I-6	STAND.....F-3	WIRING HARNESS..E-12
ALTERNATOR.....E-3	CLUTCH MASTER CYL..H-9	ELECTRICAL.....E-7	FRONT MASTER CYL..H-8	MUFFLER.....C-8	REAR MASTER CYL..I-11	STARTER CLUTCH..B-11	
BATTERY.....E-6	COWLING.....J-4	FOOTREST.....F-4	FRONT WHEEL.....G-9	OIL COOLER.....C-9	REAR SWING ARM...I-2	STARTING MOTOR..E-2	SERIAL FRAME NUMBER
CAM CHAIN.....C-3	CRANKCASE.....B-5	FRAME.....F-2	FUEL COCK.....F-8	OIL PAN.....B-8	REAR WHEEL.....I-8	STEERING DAMPER..G-6	GSX-R1100K : JS1GV73A K2100001~
CAM SHAFT.....C-2	CRANKCASE COVER..B-7	FRAME COVER.....F-11	FUEL TANK.....F-6	OIL PUMP.....B-9	SEAT.....F-9	STEERING STEM...G-4	GSX-R1100L : JS1GV73A L2100001~
CARBURETOR.....C-4	CRANKSHAFT.....B-10	FRONT BRAKE HOSE...H-6	GEAR SHIFT.....D-5	OPTIONAL.....J-10	SEAT TAIL COVER..F-10	TAIL LAMP.....E-11	
CARBURETOR FITT..C-6	CYLINDER.....B-4	FRONT CALIPERS.....H-5	HANDLE SWI.....H-4	REAR CALIPER.....I-10	SIGNAL GENERATOR..E-5	TRANSMISSION....D-3	
CLUTCH.....D-2	CYLINDER HEAD.....B-3	FRONT DAMPER.....G-2	HANDLEBAR.....H-2	REAR CUSHION LEVER..I-4	SPEEDOMETER.....E-8	TURN SIGNAL LAMP..E-10	

FIG. 46

H - 8

61

FIG. 46 (H- 8) FRONT MASTER CYLINDER



REF.NO.	PART NO.	DESCRIPTION	Q'TY	REMARKS
	59600-40C00	CYLINDER ASSY, front master	1	model K, to 59600-40C01
	59600-40C01	CYLINDER ASSY, front master	1	model L
1	59600-45850	.PISTON & CUP SET	1	
2	59667-49460	.DIAPHRAGM	1	
3-1	59669-24A00	.CAP	1	model K
3-2	59669-24A01	.CAP	1	model L
4	69689-49300	.SCREW	2	
5	59671-19800	.HOLDER	1	
6	59675-17C00	.BOLT	2	
7	59664-48800	.PROTECTOR	1	

GSX-R1100L E28

GSX-R1100L E28

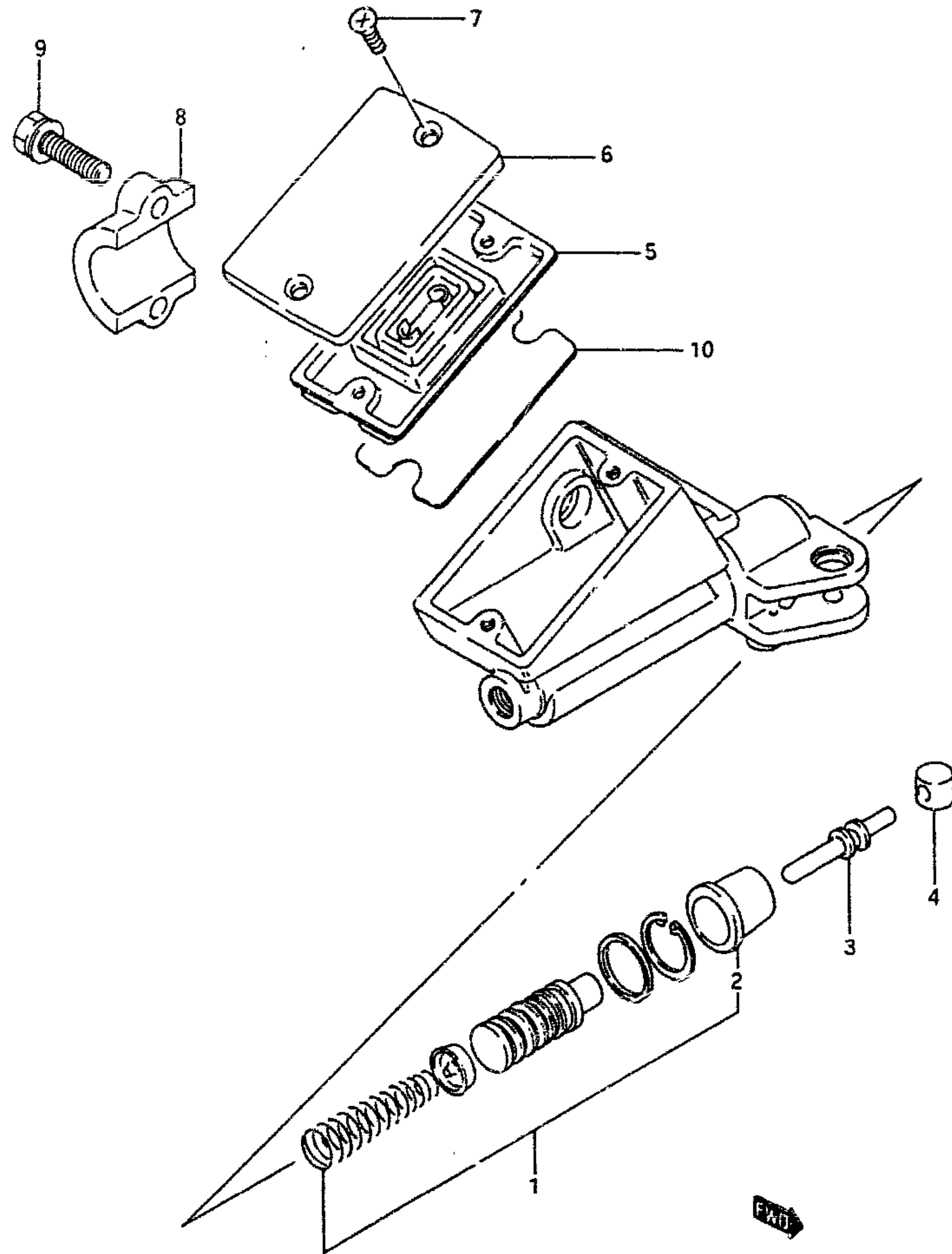
AIR CLEANER.....C-7	CLUTCH HOSE.....H-10	CYLINDER HEAD COVER..B-2	FRONT FENDER.....G-7	HEADLAMP.....E-9	REAR FENDER.....I-6	STAND.....F-3	WIRING HARNESS..E-12
ALTERNATOR.....E-3	CLUTCH MASTER CYL..H-9	ELECTRICAL.....E-7	FRONT MASTER CYL..H-8	MUFFLER.....C-8	REAR MASTER CYL..I-11	STARTER CLUTCH..B-11	
BATTERY.....E-6	COWLING.....J-4	FOOTREST.....F-4	FRONT WHEEL.....G-9	OIL COOLER.....C-9	REAR SWING ARM..I-2	STARTING MOTOR..E-2	SERIAL FRAME NUMBER
CAM CHAIN.....C-3	CRANKCASE.....B-5	FRAME.....F-2	FUEL COCK.....F-8	OIL PAN.....B-8	REAR WHEEL.....I-8	STEERING DAMPER..G-6	GSX-R1100K : JSIGV73A K2100001~
CAM SHAFT.....C-2	CRANKCASE COVER..B-7	FRAME COVER.....F-11	FUEL TANK.....F-6	OIL PUMP.....B-9	SEAT.....F-9	STEERING STEM...G-4	GSX-R1100L : JSIGV73A L2100001~
CARBURETOR.....C-4	CRANKSHAFT.....B-10	FRONT BRAKE HOSE..H-6	GEAR SHIFT.....D-5	OPTIONAL.....J-10	SEAT TAIL COVER..F-10	TAIL LAMP.....E-11	
CARBURETOR FITT..C-6	CYLINDER.....B-4	FRONT CALIPERS....H-5	HANDLE SWI.....H-4	REAR CALIPER.....I-10	SIGNAL GENERATOR..E-5	TRANSMISSION....D-3	
CLUTCH.....D-2	CYLINDER HEAD.....B-3	FRONT DAMPER.....G-2	HANDLEBAR.....H-2	REAR CUSHION LEVER..I-4	SPEEDOMETER.....E-8	TURN SIGNAL LAMP..E-10	

FIG. 47

H - 9

62

FIG. 47 (H- 9) CLUTCH MASTER CYLINDER



REF.NO.	PART NO.	DESCRIPTION	Q'TY	REMARKS
	59800-40C10	CYLINDER ASSY, clutch master	1	model K, to 59800-40C11
	59800-40C11	CYLINDER ASSY, clutch master	1	model L
1	59800-08810	.PISTON & CUP SET	1	
2	59666-44300	.BOOT	1	
3	59671-08A00	.PUSH ROD	1	
4	59892-08A00	.BUSH	1	
5	59667-49460	.DIAPHRAGM	1	
6-1	59669-24A00	.CAP	1	model K
6-2	59669-24A01	.CAP	1	model L
7	69689-49300	.SCREW	2	
8	59671-19800	.HOLDER	1	
9	59675-17C00	.BOLT	2	
10	59664-05C00	.FLOAT	1	

GSX-R1100L E28

GSX-R1100L E28

AIR CLEANER.....C-7	CLUTCH HOSE.....H-10	CYLINDER HEAD COVER..B-2	FRONT FENDER.....G-7	HEADLAMP.....E-9	REAR FENDER.....I-6	STAND.....F-3	WIRING HARNESS..E-12
ALTERNATOR.....E-3	CLUTCH MASTER CYL..H-9	ELECTRICAL.....E-7	FRONT MASTER CYL..H-8	MUFFLER.....C-8	REAR MASTER CYL..I-11	STARTER CLUTCH..B-11	
BATTERY.....E-6	COWLING.....J-4	FOOTREST.....F-4	FRONT WHEEL.....G-9	OIL COOLER.....C-9	REAR SWING ARM..I-2	STARTING MOTOR..E-2	SERIAL FRAME NUMBER
CAM CHAIN.....C-3	CRANKCASE.....B-5	FRAME.....F-2	FUEL COCK.....F-8	OIL PAN.....B-8	REAR WHEEL.....I-8	STEERING DAMPER..G-6	GSX-R1100K : JSIGV73A K2100001~
CAM SHAFT.....C-2	CRANKCASE COVER..B-7	FRAME COVER.....F-11	FUEL TANK.....F-6	OIL PUMP.....B-9	SEAT.....F-9	STEERING STEM..G-4	GSX-R1100L : JSIGV73A L2100001~
CARBURETOR.....C-4	CRANKSHAFT.....B-10	FRONT BRAKE HOSE...H-6	GEAR SHIFT.....D-5	OPTIONAL.....J-10	SEAT TAIL COVER..F-10	TAIL LAMP.....E-11	
CARBURETOR FITT..C-6	CYLINDER.....B-4	FRONT CALIPERS.....H-5	HANDLE SWI.....H-4	REAR CALIPER.....I-10	SIGNAL GENERATOR..E-5	TRANSMISSION....D-3	
CLUTCH.....D-2	CYLINDER HEAD.....B-3	FRONT DAMPER.....G-2	HANDLEBAR.....H-2	REAR CUSHION LEVER..I-4	SPEEDOMETER.....E-8	URNSIGNAL LAMP..E-10	

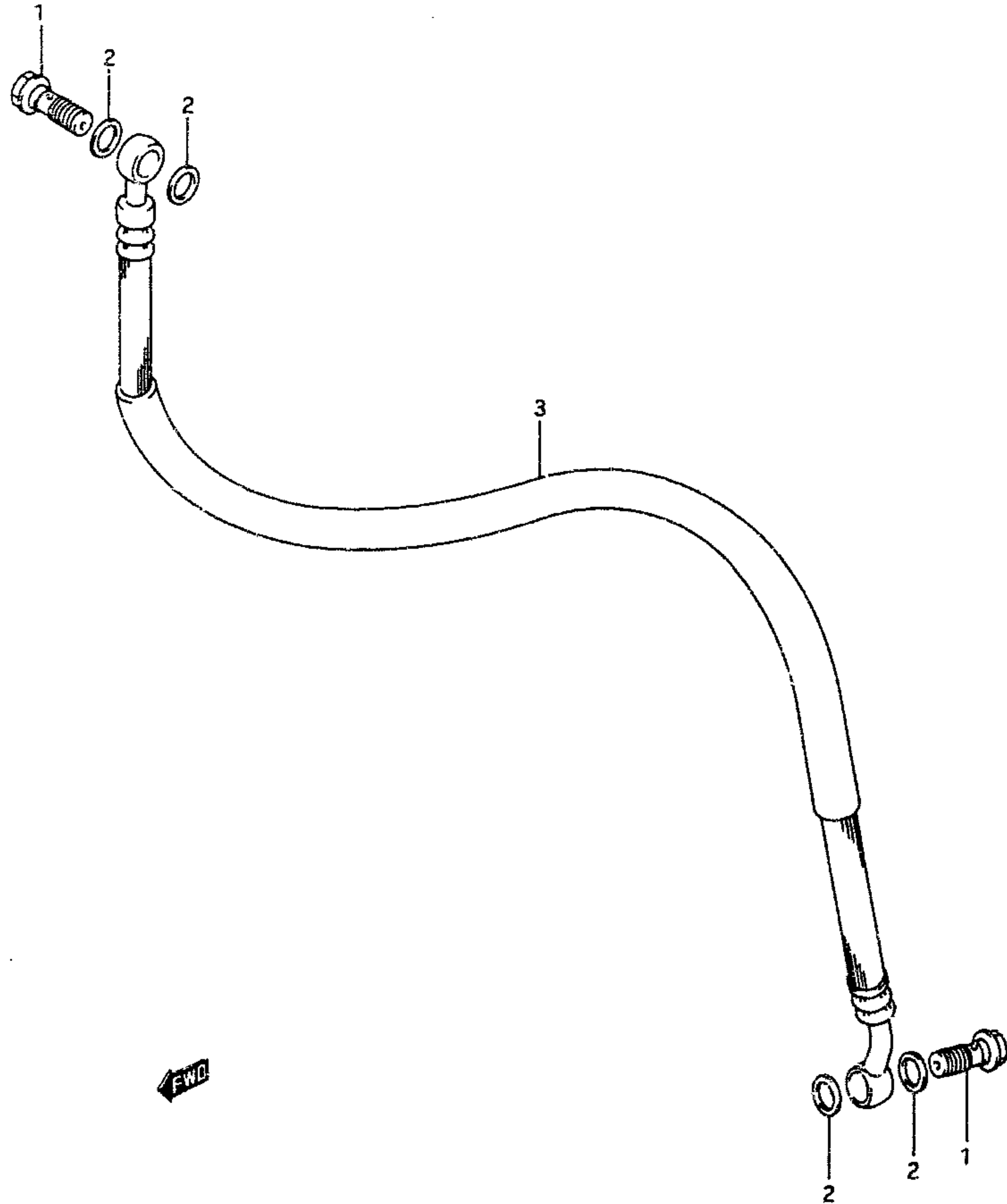
FIG. 48

H - 10

63

FIG. 48 (H-10) CLUTCH HOSE

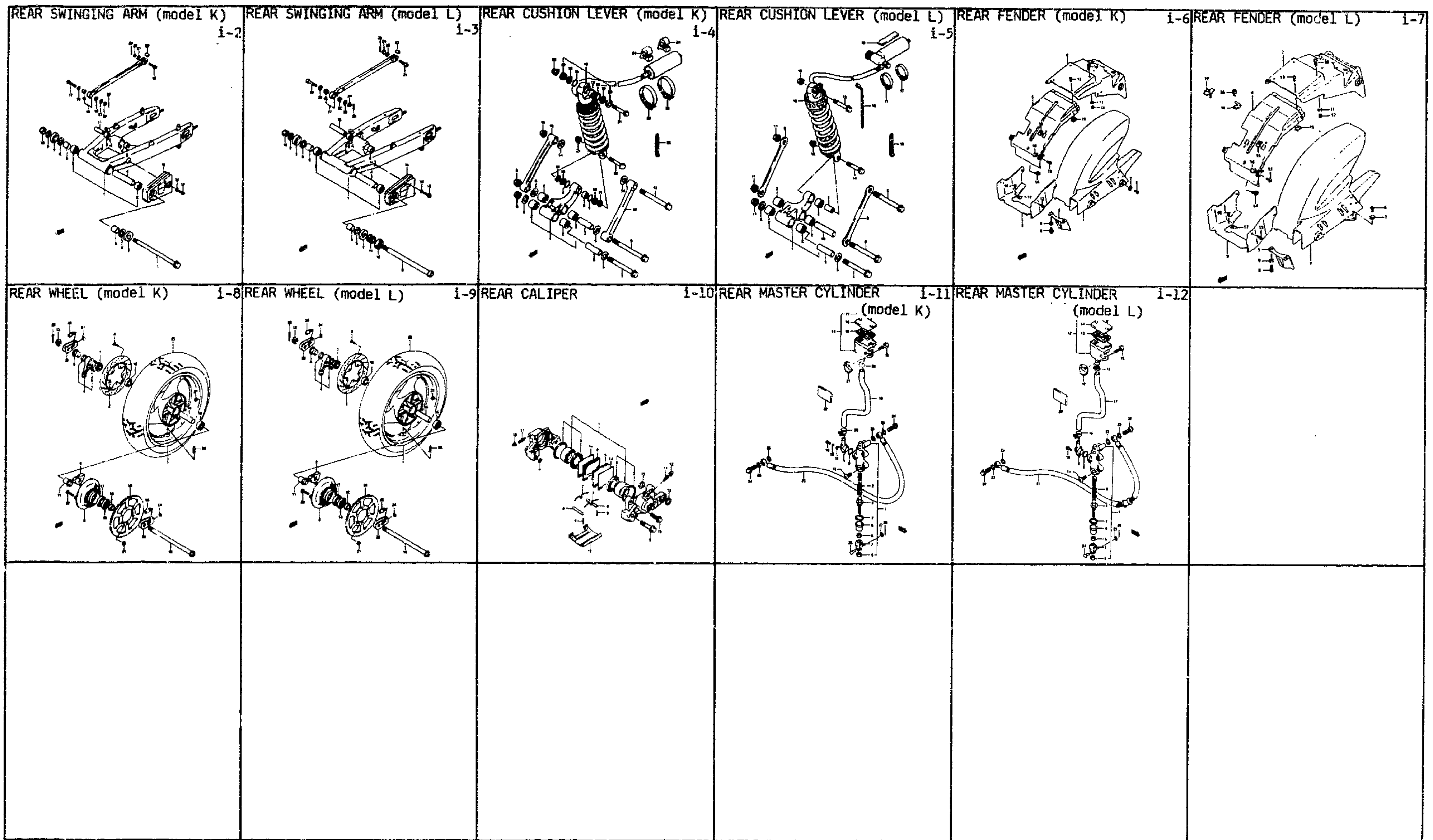
REF. NO.	PART NO.	DESCRIPTION	Q'TY	REMARKS
1	09360-10017	BOLT	2	
2	09161-10009	WASHER	4	
3	59910-40C00	HOSE, clutch	1	



GSX-R1100L E28

GSX-R1100L E28

AIR CLEANER.....C-7	CLUTCH HOSE.....H-10	CYLINDER HEAD COVER..B-2	FRONT FENDER.....G-7	HEADLAMP.....E-9	REAR FENDER.....I-6	STAND.....F-3	WIRING HARNESS..E-12
ALTERNATOR.....E-3	CLUTCH MASTER CYL..H-9	ELECTRICAL.....E-7	FRONT MASTER CYL..H-8	MUFFLER.....C-8	REAR MASTER CYL..I-11	STARTER CLUTCH..B-11	
BATTERY.....E-6	COWLING.....J-4	FOOTREST.....F-4	FRONT WHEEL.....G-9	OIL COOLER.....C-9	REAR SWING ARM...I-2	STARTING MOTOR..E-2	SERIAL FRAME NUMBER
CAM CHAIN.....C-3	CRANKCASE.....B-5	FRAME.....F-2	FUEL COCK.....F-8	OIL PAN.....B-8	REAR WHEEL.....I-8	STEERING DAMPER..G-6	GSX-R1100K : JS1GV73A K2100001~
CAM SHAFT.....C-2	CRANKCASE COVER..B-7	FRAME COVER.....F-11	FUEL TANK.....F-6	OIL PUMP.....B-9	SEAT.....F-9	STEERING STEM...G-4	GSX-R1100L : JS1GV73A L2100001~
CARBURETOR.....C-4	CRANKSHAFT.....B-10	FRONT BRAKE HOSE...H-6	GEAR SHIFT.....D-5	OPTIONAL.....J-10	SEAT TAIL COVER..F-10	TAIL LAMP.....E-11	
CARBURETOR FITT..C-6	CYLINDER.....B-4	FRONT CALIPERS....H-5	HANDLE SWI.....H-4	REAR CALIPER.....I-10	SIGNAL GENERATOR..E-5	TRANSMISSION....D-3	
CLUTCH.....D-2	CYLINDER HEAD....B-3	FRONT DAMPER.....G-2	HANDLEBAR.....H-2	REAR CUSHION LEVER..I-4	SPEEDOMETER.....E-8	URNSIGNAL LAMP..E-10	

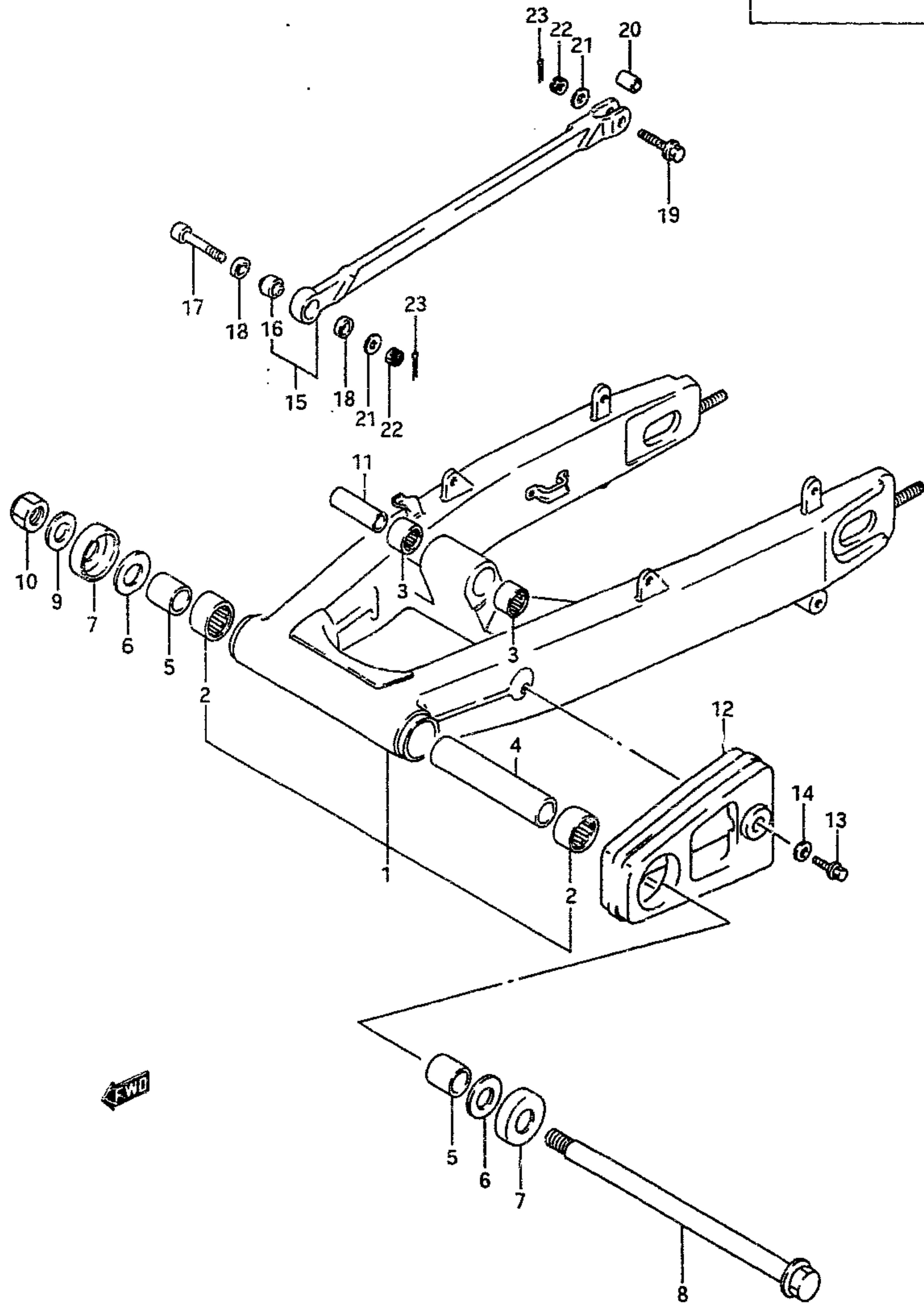


AIR CLEANER.....C-7	CLUTCH HOSE.....H-10	CYLINDER HEAD COVER..B-2	FRONT FENDER.....G-7	HEADLAMP.....E-9	REAR FENDER.....i-6	STAND.....F-3	WIRING HARNESS..E-12
ALTERNATOR.....E-3	CLUTCH MASTER CYL..H-9	ELECTRICAL.....E-7	FRONT MASTER CYL..H-8	MUFFLER.....C-8	REAR MASTER CYL..i-11	STARTER CLUTCH..B-11	
BATTERY.....E-6	COWLING.....J-4	FOOTREST.....F-4	FRONT WHEEL.....G-9	OIL COOLER.....C-9	REAR SWING ARM...i-2	STARTING MOTOR..E-2	SERIAL FRAME NUMBER
CAM CHAIN.....C-3	CRANKCASE.....B-5	FRAME.....F-2	FUEL COCK.....F-8	OIL PAN.....B-8	REAR WHEEL.....i-8	STEERING DAMPER..G-6	GSX-R1100K : JS1GV73A K2100001~
CAM SHAFT.....C-2	CRANKCASE COVER..B-7	FRAME COVER.....F-11	FUEL TANK.....F-6	OIL PUMP.....B-9	SEAT.....F-9	STEERING STEM...G-4	GSX-R1100L : JS1GV73A L2100001~
CARBURETOR.....C-4	CRANKSHAFT.....B-10	FRONT BRAKE HOSE...H-6	GEAR SHIFT.....D-5	OPTIONAL.....J-10	SEAT TAIL COVER..F-10	TAIL LAMP.....E-11	
CARBURETOR FITT..C-6	CYLINDER.....B-4	FRONT CALIPERS.....H-5	HANDLE SWI.....H-4	REAR CALIPER.....i-10	SIGNAL GENERATOR..E-5	TRANSMISSION....D-3	
CLUTCH.....D-2	CYLINDER HEAD.....B-3	FRONT DAMPER.....G-2	HANDLEBAR.....H-2	REAR CUSHION LEVER..i-4	SPEEDOMETER.....E-8	TURN SIGNAL LAMP..E-10	

FIG. 49

1 - 2

FIG. 49 (1- 2) REAR SWINGING ARM (model K)



REF. NO.	PART NO.	DESCRIPTION	Q'TY	REMARKS
1	61000-40C00	SWINGING ARM ASSY, rear	1	
2	09263-25024	.BEARING, pivot	2	
3	09263-20071	.BEARING	2	
4	61282-17C00	.SPACER, center	1	
5	61251-17C00	SPACER, bearing	2	
6-1	08211-20381	WASHER, thrust (T:1)	0-2	
6-2	08211-20382	WASHER, thrust (T:1.5)	0-2	
7	61262-17C00	SEAL, dust	2	
8	61211-17C00	SHAFT, pivot	1	
9	08322-11188	WASHER	1	
10	09159-18007	NUT	1	
11	62317-17C00	SPACER, lever	1	
12	61273-17C01	BUFFER, chain touch defence	1	
13	01517-06164	BOLT	1	
14	09169-06055	WASHER	1	
15	64300-40810	TORQUELINK SET, rear	1	
16	64352-40411	.BEARING	1	
17	09106-08048	BOLT, front	1	
18	64339-40410	SEAL, dust	2	
19	09103-08161	BOLT, rear	1	
20	64336-20A00	SPACER	1	
21	08322-11088	WASHER	2	
22	08314-41088	NUT	2	
23	04111-20208	PIN, cotter	2	

Refer to FIG.49A(i-3) for model L

GSX-R1100L E28

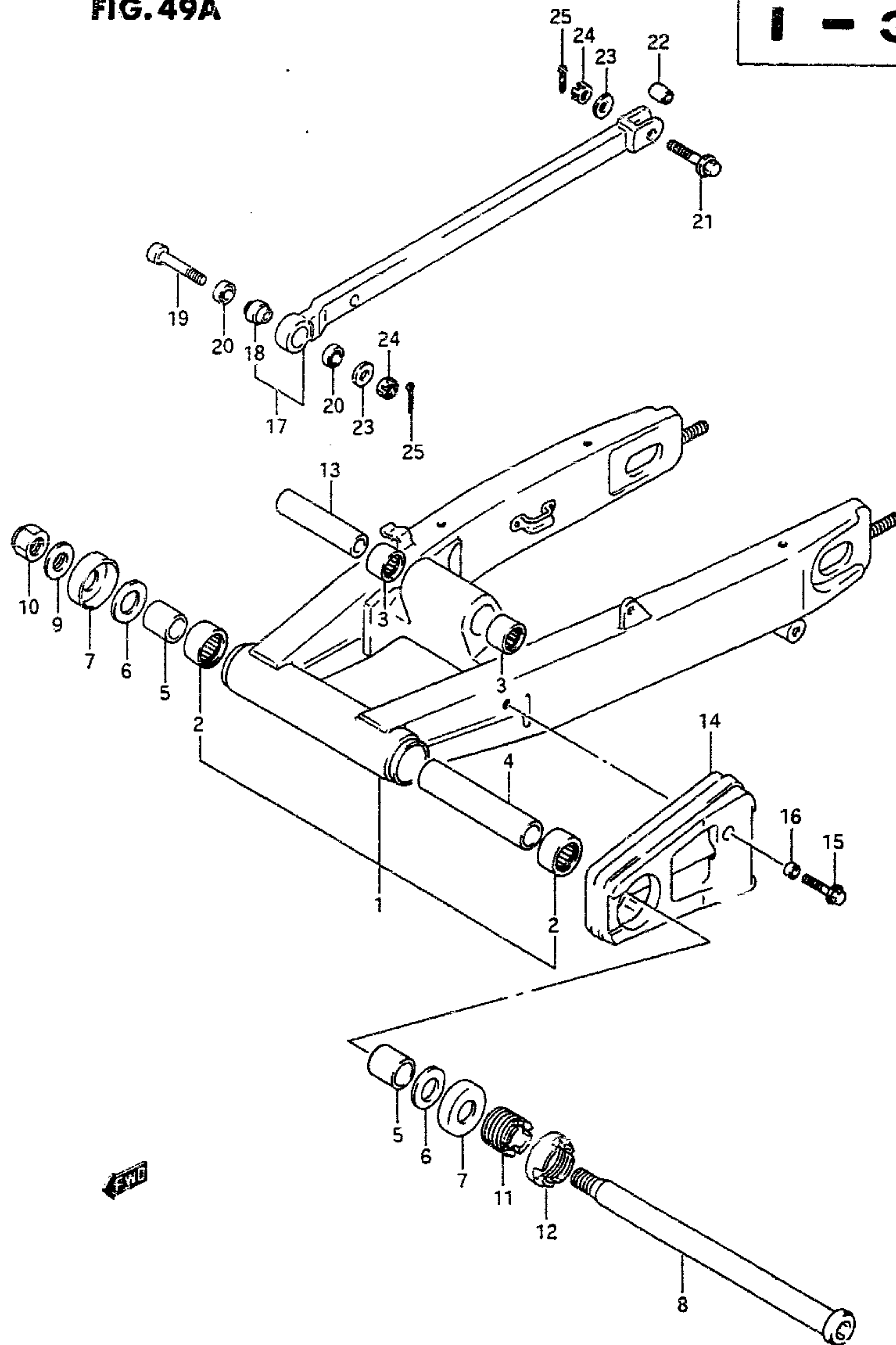
GSX-R1100L E28

AIR CLEANER.....C-7	CLUTCH HOSE.....H-10	CYLINDER HEAD COVER..B-2	FRONT FENDER.....G-7	HEADLAMP.....E-9	REAR FENDER.....I-6	STAND.....F-3	WIRING HARNESS..E-12
ALTERNATOR.....E-3	CLUTCH MASTER CYL..H-9	ELECTRICAL.....E-7	FRONT MASTER CYL..H-8	MUFFLER.....C-8	REAR MASTER CYL..I-11	STARTER CLUTCH..B-11	
BATTERY.....E-6	COWLING.....J-4	FOOTREST.....F-4	FRONT WHEEL.....G-9	OIL COOLER.....C-9	REAR WHEEL.....I-8	STARTING MOTOR..E-2	SERIAL FRAME NUMBER
CAM CHAIN.....C-3	CRANKCASE.....B-5	FRAME.....F-2	FUEL COCK.....F-8	OIL PAN.....B-8	SEAT.....F-9	STEERING DAMPER..G-6	GSX-R1100K : JS1GV73A K2100001~
CAM SHAFT.....C-2	CRANKCASE COVER..B-7	FRAME COVER.....F-11	FUEL TANK.....F-6	OIL PUMP.....B-9	SEAT TAIL COVER..F-10	STEERING STEM..G-4	GSX-R1100L : JS1GV73A L2100001~
CARBURETOR.....C-4	CRANKSHAFT.....B-10	FRONT BRAKE HOSE..H-6	GEAR SHIFT.....D-5	OPTIONAL.....J-10	TAIL LAMP.....E-11	TRANSMISSION....D-3	
CARBURETOR FITT..C-6	CYLINDER.....B-4	FRONT CALIPERS....H-5	HANDLE SWI.....H-4	REAR CALIPER.....I-10	SIGNAL GENERATOR..E-5	TURN SIGNAL LAMP..E-10	
CLUTCH.....D-2	CYLINDER HEAD....B-3	FRONT DAMPER.....G-2	HANDLEBAR.....H-2	REAR CUSHION LEVER..I-4	SPEEDOMETER.....E-8		

FIG.49A

FIG.49A(1- 3) REAR SWINGING ARM (model L)

1 - 3



REF.NO.	PART NO.	DESCRIPTION	Q'TY	REMARKS
1	61000-40C10	SWINGING ARM ASSY, rear	1	
2	09263-25024	.BEARING, pivot	2	
3	09263-20071	.BEARING	2	
4	61282-17C00	.SPACER, center	1	
5	61251-17C00	SPACER, bearing	2	
6-1	08211-20381	WASHER, thrust (T:1)	0~2	
6-2	08211-20382	WASHER, thrust (T:1.5)	0~2	
7	61262-17C00	SEAL, dust	2	
8	61211-40C00	SHAFT, pivot	1	
9	08372-11188	WASHER	1	
10	09159-18007	NUT	1	
11	61213-40C30	BOLT, pivot	1	
12	61214-40C30	NUT, pivot	1	
13	62317-40C10	SPACER, lever	1	
14	61273-40C00	BUFFER, chain touch defence	1	
15	09116-06111	BOLT	1	
16	09180-06002	SPACER	1	
17	64300-40820	TORQUELINK SET, rear	1	
18	64352-40411	.BEARING	1	
19	09106-08048	BOLT, front	1	
20	64339-40410	SEAL, dust	2	
21	09103-08160	BOLT, rear	1	
22	64336-20A00	SPACER	1	
23	08322-11088	WASHER	2	
24	08314-41088	NUT	2	
25	04111-20208	PIN, cotter	2	

GSX-R1100L E28

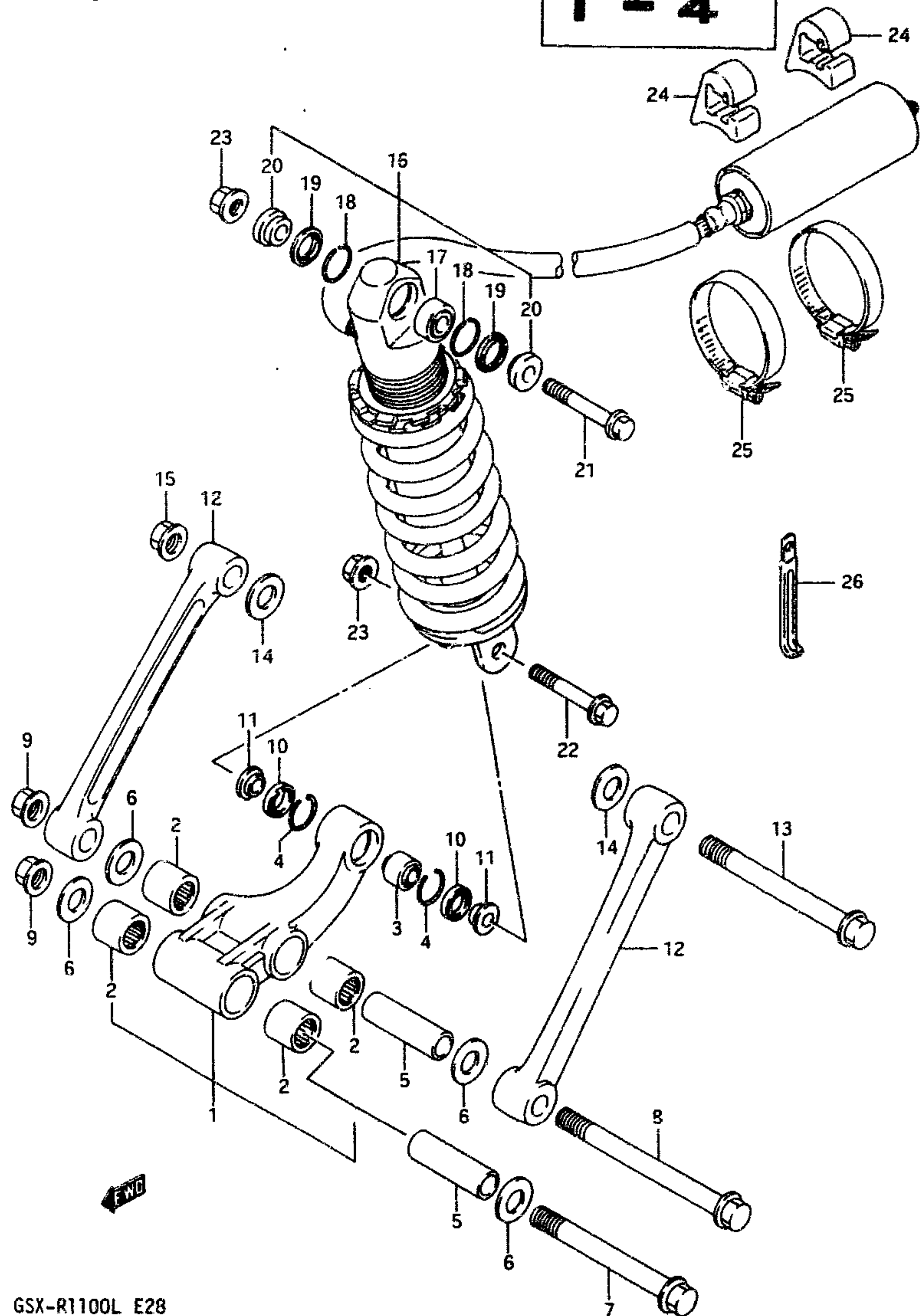
GSX-R1100L E28

AIR CLEANER.....C-7	CLUTCH HOSE.....H-10	CYLINDER HEAD COVER..B-2	FRONT FENDER.....G-7	HEADLAMP.....E-9	REAR FENDER.....I-6	STAND.....F-3	WIRING HARNESS..E-12
ALTERNATOR.....E-3	CLUTCH MASTER CYL..H-9	ELECTRICAL.....E-7	FRONT MASTER CYL..H-8	MUFFLER.....C-8	REAR MASTER CYL..I-11	STARTER CLUTCH..B-11	
BATTERY.....E-6	COWLING.....J-4	FOOTREST.....F-4	FRONT WHEEL.....G-9	OIL COOLER.....C-9	REAR SWING ARM...I-2	STARTING MOTOR..E-2	SERIAL FRAME NUMBER
CAM CHAIN.....C-3	CRANKCASE.....B-5	FRAME.....F-2	FUEL COCK.....F-8	OIL PAN.....B-8	REAR WHEEL.....I-8	STEERING DAMPER..G-6	GSX-R1100K : JS1GV73A K2100001~
CAM SHAFT.....C-2	CRANKCASE COVER..B-7	FRAME COVER.....F-11	FUEL TANK.....F-6	OIL PUMP.....B-9	SEAT.....F-9	STEERING STEM...G-4	GSX-R1100L : JS1GV73A L2100001~
CARBURETOR.....C-4	CRANKSHAFT.....B-10	FRONT BRAKE HOSE...H-6	GEAR SHIFT.....D-5	OPTIONAL.....J-10	SEAT TAIL COVER..F-10	TAIL LAMP.....E-11	
CARBURETOR FITT..C-6	CYLINDER.....B-4	FRONT CALIPERS.....H-5	HANDLE SWI.....H-4	REAR CALIPER.....I-10	SIGNAL GENERATOR..E-5	TRANSMISSION....D-3	
CLUTCH.....D-2	CYLINDER HEAD.....B-3	FRONT DAMPER.....G-2	HANDLEBAR.....H-2	REAR CUSHION LEVER..I-4	SPEEDOMETER.....E-8	TURN SIGNAL LAMP..E-10	

FIG. 50

1 - 4

FIG. 50 (1- 4) REAR CUSHION LEVER (model K)



REF.NO.	PART NO.	DESCRIPTION	Q'TY	REMARKS
1	62600-17830	LEVER SET, rear cushion	1	
2	09263-20071	.BEARING	4	
3	62175-00800	.BEARING	1	
4	62657-34A01	.RING	2	
5	62317-17C00	SPACER	2	
6	08211-14323	WASHER, thrust	4	
7	62621-17C00	SHAFT, front	1	
8	62658-17C00	SHAFT, center	1	
9	08319-31148	NUT	2	
10	62683-43400	SEAL, dust rear	2	
11	62684-43401	SPACER	2	
12	62641-17C00	ROD, rear cushion	2	
13	62658-17C00	SHAFT, upper	1	
14	08211-14323	WASHER, thrust	2	
15	08319-31148	NUT	1	
16	62100-40C00	ABSORBER ASSY, rear shock	1	
17	62175-14420	.BEARING	1	
18	62277-14400	.RING	2	
19	62226-27A20	.SEAL, dust	2	
20	62177-27A20	.COLLAR	2	
21	62311-08300	BOLT, upper	1	
22	09103-10050	BOLT, lower	1	
23	08319-31107	NUT	2	
24	62331-06800	CUSHION, tank	2	
25	09402-70501	CLAMP, tank	2	
26	09404-06404	CLAMP, Hose	1	

Refer to FIG. 50A(1-5) for model L

GSX-R1100L E28

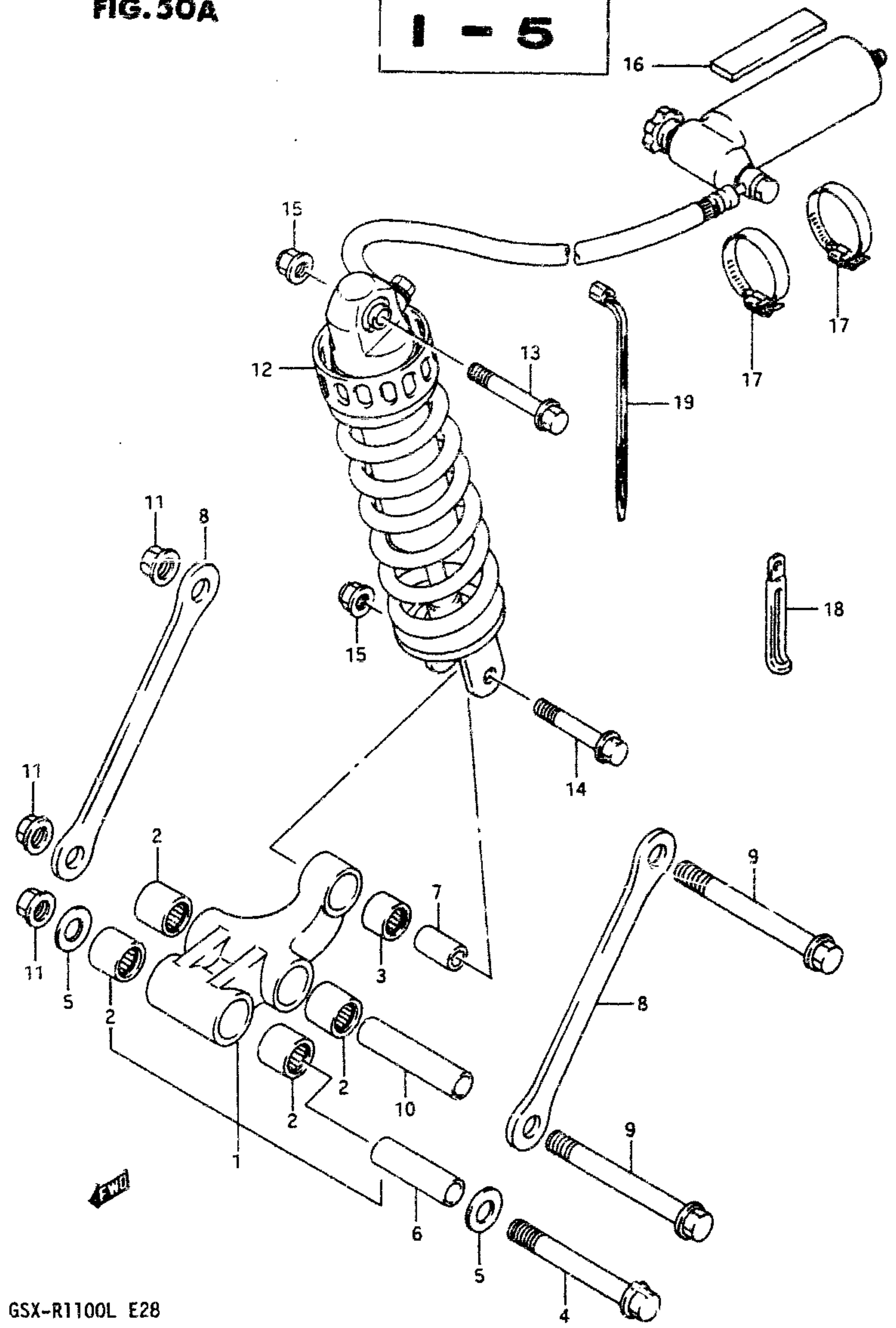
GSX-R1100L E28

AIR CLEANER.....C-7	CLUTCH HOSE.....H-10	CYLINDER HEAD COVER..B-2	FRONT FENDER.....G-7	HEADLAMP.....E-9	REAR FENDER.....I-6	STARTING SWITCH.....F-3	WIRING HARNESS..E-12
ALTERNATOR.....E-3	CLUTCH MASTER CYL..H-9	ELECTRICAL.....E-7	FRONT MASTER CYL..H-8	MUFFLER.....C-8	REAR MASTER CYL..I-11	STARTING MOTOR.....E-2	SERIAL FRAME NUMBER
BATTERY.....E-6	COWLING.....J-4	FOOTREST.....F-4	FRONT WHEEL.....G-9	OIL COOLER.....C-9	REAR SWING ARM...I-2	STEERING DAMPER..G-6	GSX-R1100K : JSIGV73A K2100001~
CAM CHAIN.....C-3	CRANKCASE.....B-5	FRAME.....F-2	FUEL COCK.....F-8	OIL PAN.....B-8	REAR WHEEL.....I-8	STEERING STEM...G-4	GSX-R1100L : JSIGV73A L2100001~
CAM SHAFT.....C-2	CRANKCASE COVER...B-7	FRAME COVER.....F-11	FUEL TANK.....F-6	OIL PUMP.....B-9	SEAT.....F-9	SEAT TAIL COVER..F-10	TAIL LAMP.....E-11
CARBURETOR.....C-4	CRANKSHAFT.....B-10	FRONT BRAKE HOSE...H-6	GEAR SHIFT.....D-3	OPTIONAL.....J-10	SEAT TAIL COVER..F-10	TAIL LAMP.....E-11	TRANSMISSION....D-3
CARBURETOR FITT..C-6	CYLINDER.....B-4	FRONT CALIPERS.....H-5	HANDLE SWI.....H-4	REAR CALIPER.....I-10	SIGNAL GENERATOR..E-5	TRANSMISSION....D-3	URNSIGNAL LAMP..E-10
CLUTCH.....D-2	CYLINDER HEAD.....B-3	FRONT DAMPER.....G-2	HANDLEBAR.....H-2	REAR CUSHION LEVER..I-4	SPEEDOMETER.....E-8	URNSIGNAL LAMP..E-10	

FIG. 50A

1 - 5

FIG. 50A(1- 5) REAR CUSHION LEVER (model L)



REF. NO.	PART NO.	DESCRIPTION	Q'TY	REMARKS
1	62600-40830	LEVER SET, rear cushion	1	
2	09263-20071	.BEARING	4	
3	09263-17034	.BEARING	1	
4	62621-17C00	SHAFT, front	1	
5	08211-14323	WASHER	2	
6	62317-17C00	SPACER, front	1	
7	62684-40A10	SPACER, rear	1	
8	62641-40C10	ROD, rear cushion	2	
9	62658-40C10	SHAFT, red	2	
10	62317-40C10	SPACER, red	1	
11	08319-31148	NUT	3	
12	62100-40C20	ABSORBER ASSY, rear shock	1	
13	62311-08300	BOLT, upper	1	
14	09103-10050	BOLT, lower	1	
15	08319-31107	NUT	2	
16	62331-07000	CUSHION, tank	1	
17	09402-43501	CLAMP, tank	2	
18	09404-06404	CLAMP, hose	1	
19	09407-18402	CLAMP	2	

GSX-R1100L E28

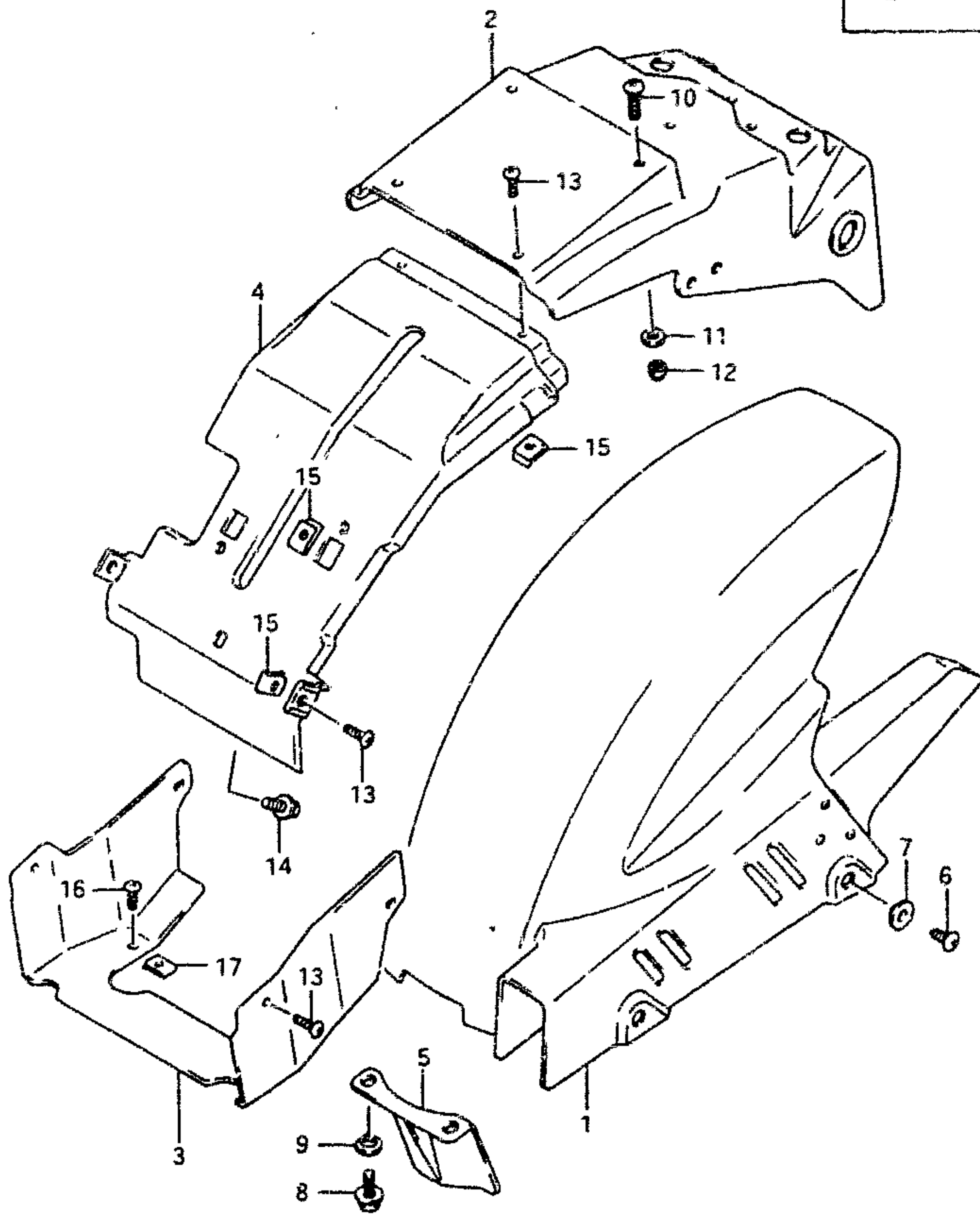
GSX-R1100L E28

AIR CLEANER.....C-7	CLUTCH HOSE.....H-10	CYLINDER HEAD COVER..B-2	FRONT FENDER.....G-7	HEADLAMP.....E-9	REAR FENDER.....I-6	STAND.....F-3	WIRING HARNESS..E-12
ALTERNATOR.....E-3	CLUTCH MASTER CYL..H-9	ELECTRICAL.....E-7	FRONT MASTER CYL..H-8	MUFFLER.....C-8	REAR MASTER CYL..I-11	STARTER CLUTCH..B-11	
BATTERY.....E-6	COWLING.....J-4	FOOTREST.....F-4	FRONT WHEEL.....G-9	OIL COOLER.....C-9	REAR SWING ARM...I-2	STARTING MOTOR..E-2	SERIAL FRAME NUMBER
CAM CHAIN.....C-3	CRANKCASE.....B-5	FRAME.....F-2	FUEL COCK.....F-8	OIL PAN.....B-8	REAR WHEEL.....I-8	STEERING DAMPER..G-6	GSX-R1100K : JSIGV73A K2100001~
CAM SHAFT.....C-2	CRANKCASE COVER..B-7	FRAME COVER.....F-11	FUEL TANK.....F-6	OIL PUMP.....B-9	SEAT.....F-9	STEERING STEM...G-4	GSX-R1100L : JSIGV73A L2100001~
CARBURETOR.....C-4	CRANKSHAFT.....B-10	FRONT BRAKE HOSE...H-6	GEAR SHIFT.....D-5	OPTIONAL.....J-10	SEAT TAIL COVER..F-10	TAIL LAMP.....E-11	
CARBURETOR FITT..C-6	CYLINDER.....B-4	FRONT CALIPERS.....H-5	HANDLE SWI.....H-4	REAR CALIPER.....I-10	SIGNAL GENERATOR..E-5	TRANSMISSION....D-3	
CLUTCH.....D-2	CYLINDER HEAD.....B-3	FRONT DAMPER.....G-2	HANDLEBAR.....H-2	REAR CUSHION LEVER..I-4	SPEEDOMETER.....E-8	URNSIGNAL LAMP..E-10	

FIG. 51

1 - 6

FIG. 51 (1- 6) REAR FENDER (model K)



REF. NO.	PART NO.	DESCRIPTION	Q'TY	REMARKS
1	63110-17C00	FENDER, rear lower	1	
2	63112-17C00	FENDER, rear upper	1	
3	63113-40C00	FENDER, rear upper front	1	
4	63114-17C00	FENDER, rear upper front	1	
5	63411-42A00	MUD GUARD, rear unit	1	
6	02142-06104	SCREW, lower	4	
7	09169-06026	WASHER	4	
8	09136-06056	SCREW, mud guard	2	
9	09169-06025	WASHER	2	
10	02142-06164	SCREW, upper	2	
11	09160-06006	WASHER	2	
12	08319-21068	NUT	2	
13	02142-05124	SCREW, upper front	6	
14	01517-06105	BOLT	1	
15	94484-32B00	NUT	6	
16	02142-05124	SCREW, electric	1	
17	94484-32B00	NUT	1	

Refer to FIG. 51A(i-7) for model L

GSX-R1100L E28

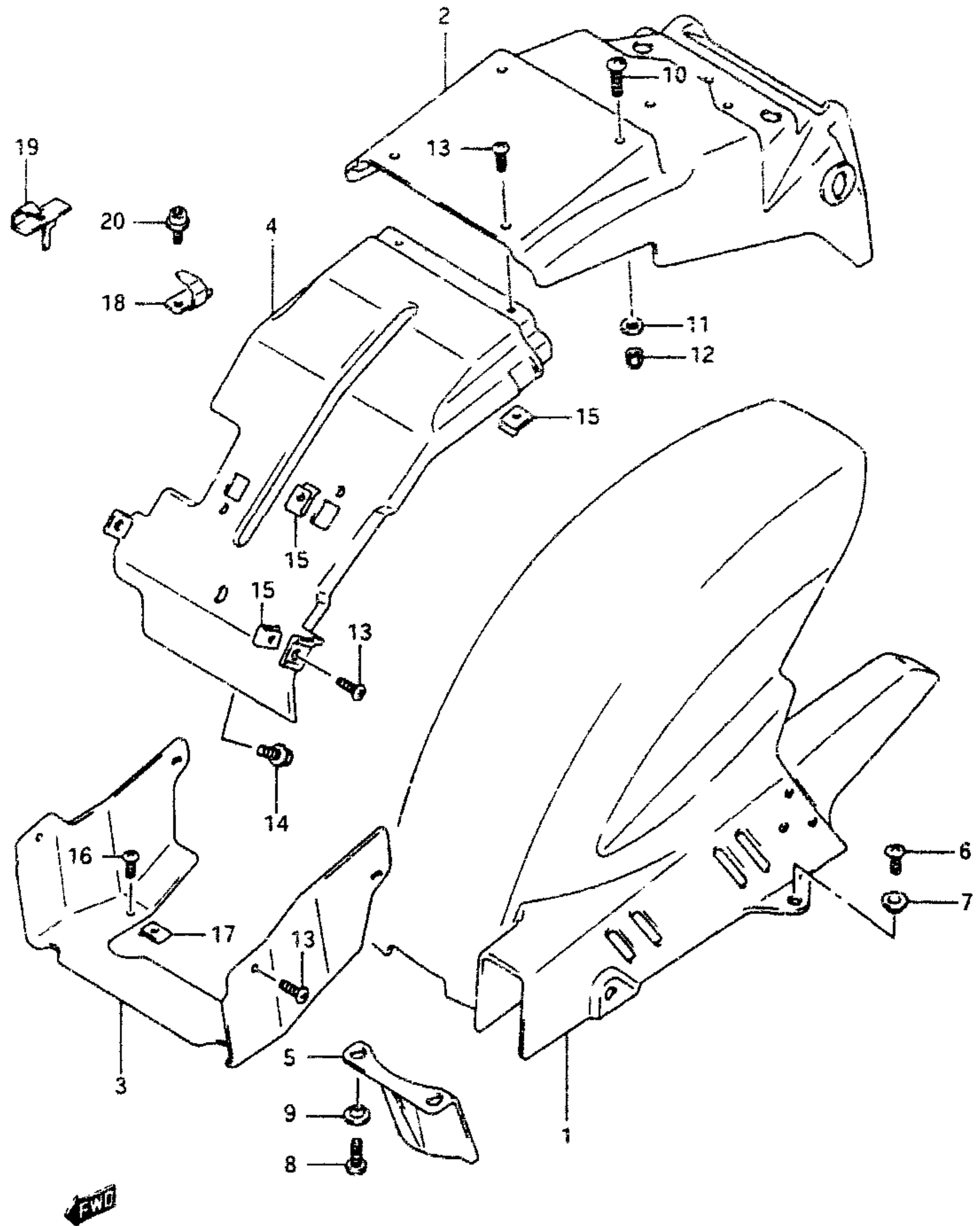
GSX-R1100L E28

AIR CLEANER.....C-7	CLUTCH HOSE.....H-10	CYLINDER HEAD COVER..B-2	FRONT FENDER.....G-7	HEADLAMP.....E-9	REAR FENDER.....I-6	STAND.....F-3	WIRING HARNESS..E-12
ALTERNATOR.....E-3	CLUTCH MASTER CYL..H-9	ELECTRICAL.....E-7	FRONT MASTER CYL..H-8	MUFFLER.....C-8	REAR MASTER CYL..I-11	STARTER CLUTCH..B-11	
BATTERY.....E-6	COWLING.....J-4	FOOTREST.....F-4	FRONT WHEEL.....G-9	OIL COOLER.....C-9	REAR SWING ARM..I-2	STARTING MOTOR..E-2	SERIAL FRAME NUMBER
CAM CHAIN.....C-3	CRANKCASE.....B-5	FRAME.....F-2	FUEL COCK.....F-8	OIL PAN.....B-8	REAR WHEEL.....I-8	STEERING DAMPER..G-6	GSX-R1100K : JSIGV73A K2100001~
CAM SHAFT.....C-2	CRANKCASE COVER..B-7	FRAME COVER.....F-11	FUEL TANK.....F-6	OIL PUMP.....B-9	SEAT.....F-9	STEERING STEM...G-4	GSX-R1100L : JSIGV73A L2100001~
CARBURETOR.....C-4	CRANKSHAFT.....B-10	FRONT BRAKE HOSE...H-6	GEAR SHIFT.....D-5	OPTIONAL.....J-10	SEAT TAIL COVER..F-10	TAIL LAMP.....E-11	
CARBURETOR FITT..C-6	CYLINDER.....B-4	FRONT CALIPERS.....H-5	HANDLE SWI.....H-4	REAR CALIPER.....I-10	SIGNAL GENERATOR..E-5	TRANSMISSION....D-3	
CLUTCH.....D-2	CYLINDER HEAD....B-3	FRONT DAMPER.....G-2	HANDLEBAR.....H-2	REAR CUSHION LEVER..I-4	SPEEDOMETER.....E-8	TURN SIGNAL LAMP..E-10	

FIG. 51A

1 - 7

FIG. 51A(1- 7) REAR FENDER (model L)



REF.NO.	PART NO.	DESCRIPTION	Q'TY	REMARKS
1	63110-40C00	FENDER, rear lower	1	
2	63112-40C00	FENDER, rear upper	1	
3	63113-40C00	FENDER, rear upper front	1	
4	63114-17C00	FENDER, rear upper front	1	
5	63411-42A00	MUD GUARD, rear unit	1	
6	02142-06104	SCREW, lower	4	
7	09169-16060	WASHER	4	
8	02142-06167	SCREW, mud guard	2	
9	09169-06025	WASHER	2	
10	02142-06164	SCREW, upper	2	
11	09160-06006	WASHER	2	
12	08319-21066	NUT	2	
13	02142-05124	SCREW, upper front	6	
14	01517-06105	BOLT	1	
15	94484-32800	NUT	6	
16	02142-05124	SCREW, electric	1	
17	94484-32800	NUT	1	
18	95721-17C02	HOLDER, helmet LH	1	
19	95721-40C00	HOLDER, helmet RH	1	
20	07120-06125	BOLT	2	

GSX-R1100L E28

GSX-R1100L E28

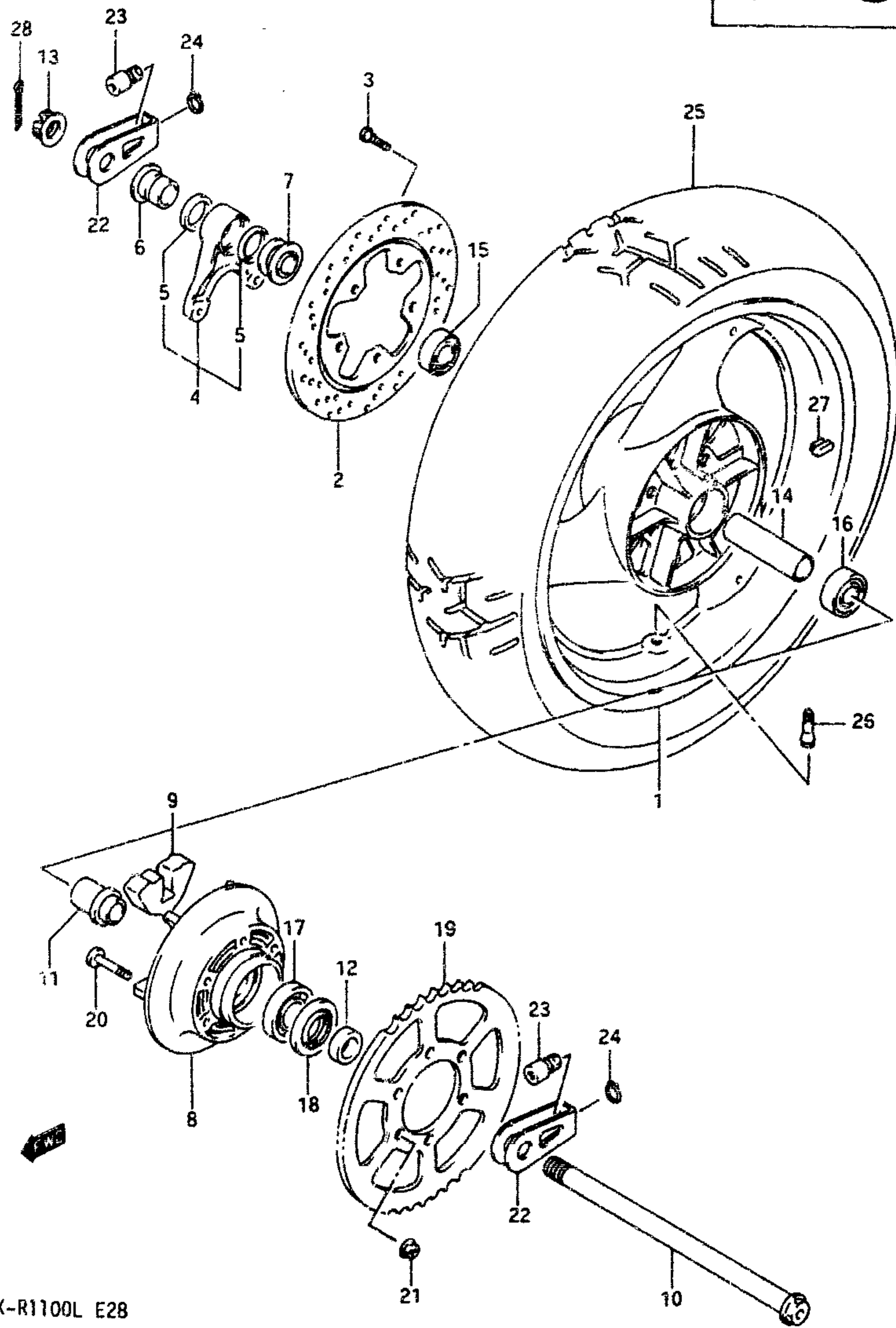
AIR CLEANER.....C-7	CLUTCH HOSE.....H-10	CYLINDER HEAD COVER..B-2	FRONT FENDER.....G-7	HEADLAMP.....E-9	REAR FENDER.....1-6	STAND.....F-3	WIRING HARNESS..E-12
ALTERNATOR.....E-3	CLUTCH MASTER CYL..H-9	ELECTRICAL.....E-7	FRONT MASTER CYL..H-8	MUFFLER.....C-8	REAR MASTER CYL..1-11	STARTER CLUTCH..B-11	
BATTERY.....E-6	COWLING.....J-4	FOOTREST.....F-4	FRONT WHEEL.....G-9	OIL COOLER.....C-9	REAR SWING ARM..1-2	STARTING MOTOR..E-2	SERIAL FRAME NUMBER
CAM CHAIN.....C-3	CRANKCASE.....B-5	FRAME.....F-2	FUEL COCK.....F-8	OIL PAN.....B-8	REAR WHEEL.....1-8	STEERING DAMPER..G-6	GSX-R1100K : JSIGV73A K2100001~
CAM SHAFT.....C-2	CRANKCASE COVER..B-7	FRAME COVER.....F-11	FUEL TANK.....F-6	OIL PUMP.....B-9	SEAT.....F-9	STEERING STEM..G-4	GSX-R1100L : JSIGV73A L2100001~
CARBURETOR.....C-4	CRANKSHAFT.....B-10	FRONT BRAKE HOSE...H-6	GEAR SHIFT.....D-5	OPTIONAL.....J-10	SEAT TAIL COVER..F-10	TAIL LAMP.....E-11	
CARBURETOR FITT..C-6	CYLINDER.....B-4	FRONT CALIPERS.....H-5	HANDLE SWI.....H-4	REAR CALIPER.....1-10	SIGNAL GENERATOR..E-5	TRANSMISSION....D-3	
CLUTCH.....D-2	CYLINDER HEAD.....B-3	FRONT DAMPER.....G-2	HANDLEBAR.....H-2	REAR CUSHION LEVER..1-4	SPEEDOMETER.....E-8	TURN SIGNAL LAMP..E-10	

FIG. 52

1 - 8

70

FIG. 52 (1- 8) REAR WHEEL (model K)



REF.NO.	PART NO.	DESCRIPTION	Q'TY	REMARKS
1-i	64111-40C00-28W	WHEEL, rear (17xMT4.50) White	1	for 9SR
1-2	64111-40C00-0FR	WHEEL, rear (17xMT4.50) Gold	1	for 3EE
2	69211-17C00	DISC, rear brake	1	
3	09106-08062	BOLT	5	
4	69720-17C00	BRACKET, rear calipers	1	
5	09285-28002	.OIL SEAL	2	
6	69412-27A00	SPACER	1	
7	64740-48B00	SPACER, RH	1	
8	64611-31003	DRUM, sprocket	1	
9	64651-31001	SHOCK ABSORBER, drum	6	
10	64711-40C10	AXLE, rear	1	
11	64733-48B00	RETAINER, drum	1	
12	64751-40C00	SPACER, LH	1	
13	09141-20004	NUT	1	
14	64731-40C00	SPACER, bearing	1	
15	09262-20114	BEARING, RH	1	
16	09262-20042	BEARING, LH	1	
17	09262-25073	BEARING, drum	1	
18	09285-35001	OIL SEAL	1	
19	64511-40C01	SPROCKET, rear (NT:48)	1	
20	09119-10027	BOLT	6	
21	08319-31107	NUT	6	
22	61411-40C00	ADJUSTER, chain	2	
23	61415-40C00	NUT, adjuster	2	
24	08331-31138	CIRCLIP	2	
25	65110-17C30	TIRE, T/L rear (160/60 ZR17)	1	MICHELIN Executed Locally
26	43130-24A00	VALVE	1	
27-1	55411-00A00	BALANCER (10g)	0-3	
27-2	55412-00A00	BALANCER (20g)	0-3	
27-3	55413-00A00	BALANCER (30g)	0-3	
28	04111-40408	PIN, cotter	1	

Refer to FIG.52A(1-9) for model L

GSX-R1100L E28

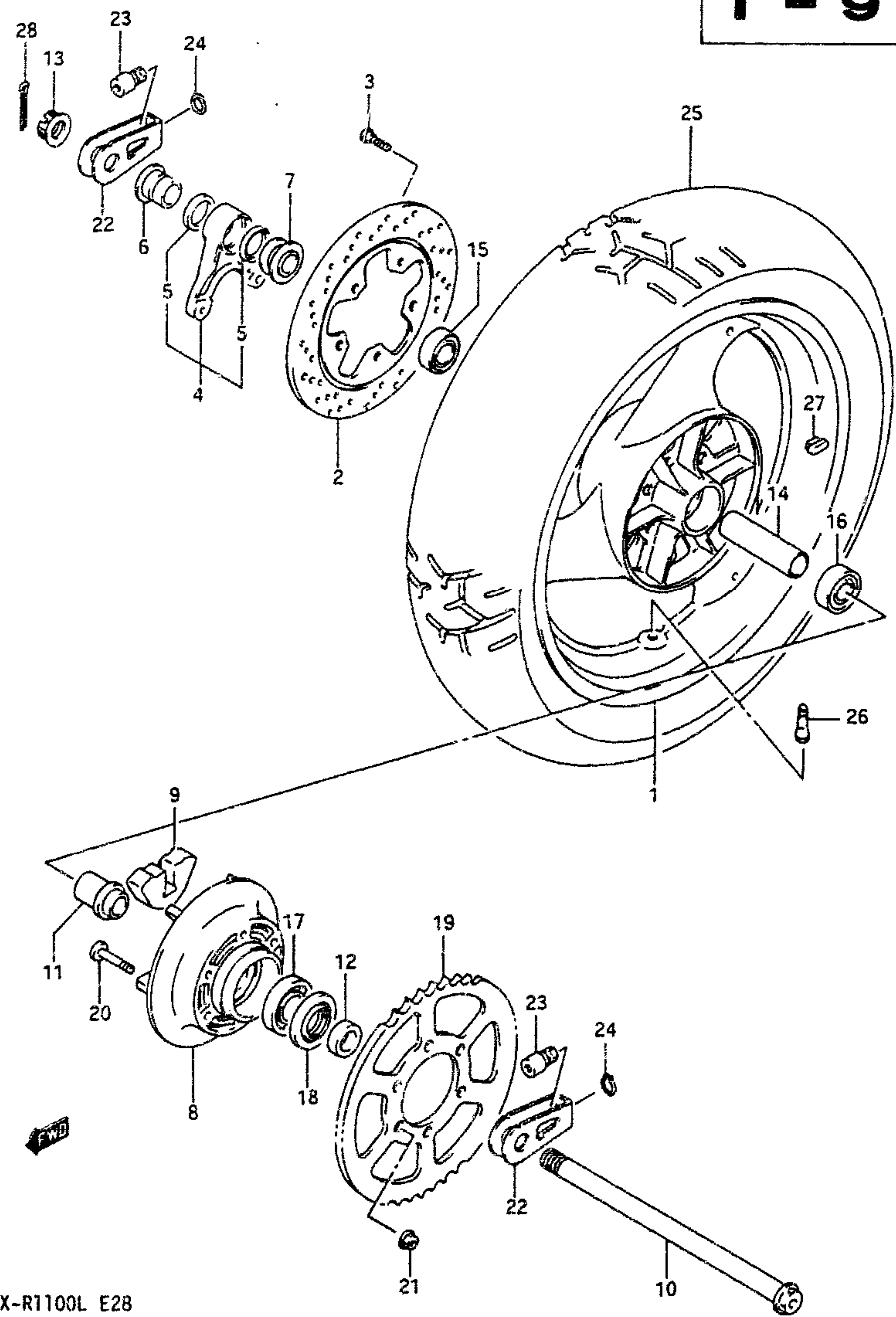
GSX-R1100L E28

AIR CLEANER.....C-7	CLUTCH HOSE.....H-10	CYLINDER HEAD COVER..B-2	FRONT FENDER.....G-7	HEADLAMP.....E-9	REAR FENDER.....I-6	STAND.....F-3	WIRING HARNESS..E-12
ALTERNATOR.....E-3	CLUTCH MASTER CYL..H-9	ELECTRICAL.....E-7	FRONT MASTER CYL..H-8	MUFFLER.....C-8	REAR MASTER CYL..I-11	STARTER CLUTCH..B-11	
BATTERY.....E-6	COWLING.....J-4	FOOTREST.....F-4	FRONT WHEEL.....G-9	OIL COOLER.....C-9	REAR SWING ARM..I-2	STARTING MOTOR..E-2	SERIAL FRAME NUMBER
CAM CHAIN.....C-3	CRANKCASE.....B-5	FRAME.....F-2	FUEL COCK.....F-8	OIL PAN.....B-8	REAR WHEEL.....I-8	STEERING DAMPER..G-6	GSX-R1100K : JS1GV73A K2100001~
CAM SHAFT.....C-2	CRANKCASE COVER..B-7	FRAME COVER.....F-11	FUEL TANK.....F-6	OIL PUMP.....B-9	SEAT.....F-9	STEERING STEM...G-4	GSX-R1100L : JS1GV73A L2100001~
CARBURETOR.....C-4	CRANKSHAFT.....B-10	FRONT BRAKE HOSE...H-6	GEAR SHIFT.....D-5	OPTIONAL.....J-10	SEAT TAIL COVER..F-10	TAIL LAMP.....E-11	
CARBURETOR FITT..C-6	CYLINDER.....B-4	FRONT CALIPERS.....H-5	HANDLE SWI.....H-4	REAR CALIPER.....I-10	SIGNAL GENERATOR..E-5	TRANSMISSION....D-3	
CLUTCH.....D-2	CYLINDER HEAD.....B-3	FRONT DAMPER.....G-2	HANDLEBAR.....H-2	REAR CUSHION LEVER..I-4	SPEEDOMETER.....E-8	URNSIGNAL LAMP..E-10	

FIG. 52A

1 - 9

FIG. 52A(1- 9) REAR WHEEL (model L)



REF.NO.	PART NO.	DESCRIPTION	Q'TY	REMARKS
1-1	64111-07000-28W	WHEEL, rear (17xMT5.50) White	1	for 3SH
1-2	64111-07000-12R	WHEEL, rear (17xMT5.50) Silver	1	for 3CG
2	69211-17C00	DISC, rear brake	1	
3	09106-08062	BOLT	5	
4	69720-17C00	BRACKET, rear calipers	1	
5	09285-28002	.OIL SEAL	2	
6	69412-27A00	SPACER	1	
7	64740-48800	SPACER, RH	1	
8	64611-40C00	DRUM, sprocket	1	
9	64651-31001	SHOCK ABSORBER, drum	6	
10	64711-40C10	AXLE, rear	1	
11	64733-48800	RETAINER, drum	1	
12	64751-40C00	SPACER, LH	1	
13	09141-20004	NUT	1	
14	64731-40C00	SPACER, bearing	1	
15	09262-20114	BEARING, RH	1	
16	09262-20042	BEARING, LH	1	
17	09262-25073	BEARING, drum	1	
18	09285-35001	OIL SEAL	1	
19	64511-40C01	SPROCKET, rear (NT:48)	1	
20	09119-10060	BOLT	6	
21	08319-31107	NUT	6	
22	61411-40C00	ADJUSTER, chain	2	
23	61415-40C00	NUT, adjuster	2	
24	08331-31138	CIRCLIP	2	
25	65110-40C20	TIRE, rear (180/55 ZR17)	1	MICHELIN Executed Locally
26	43130-24A00	VALVE	1	
27-1	55411-00A00	BALANCER (10g)	0-3	
27-2	55412-00A00	BALANCER (20g)	0-3	
27-3	55413-00A00	BALANCER (30g)	0-3	
28	04111-40408	PIN, cotter	1	

GSX-R1100L E28

GSX-R1100L E28

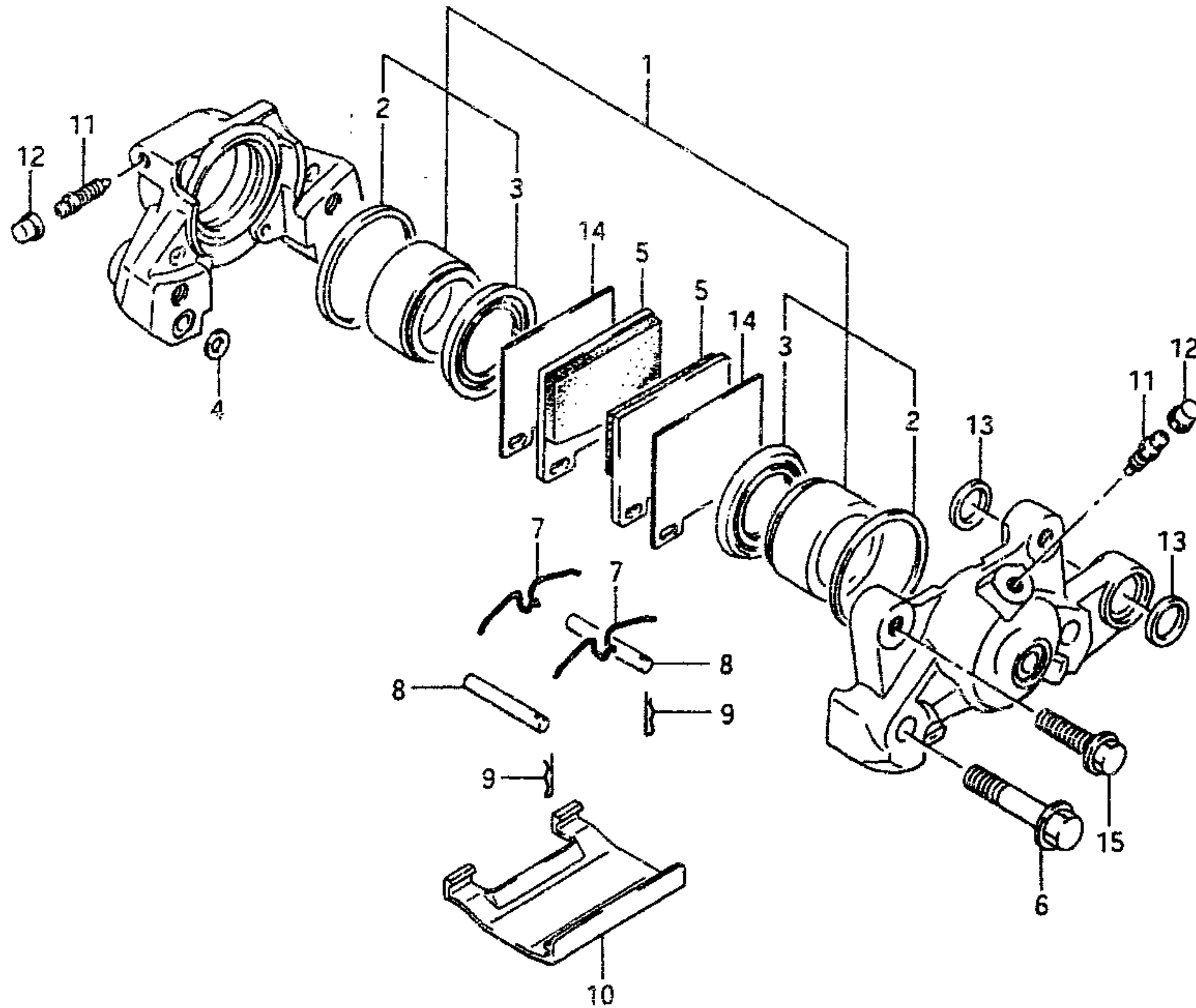
AIR CLEANER.....C-7	CLUTCH HOSE.....H-10	CYLINDER HEAD COVER..B-2	FRONT FENDER.....G-7	HEADLAMP.....E-9	REAR FENDER.....I-6	STAND.....F-3	WIRING HARNESS..E-12
ALTERNATOR.....E-3	CLUTCH MASTER CYL..H-9	ELECTRICAL.....E-7	FRONT MASTER CYL..H-8	MUFFLER.....C-8	REAR MASTER CYL..I-11	STARTER CLUTCH..B-11	
BATTERY.....E-6	COWLING.....J-4	FOOTREST.....F-4	FRONT WHEEL.....G-9	OIL COOLER.....C-9	REAR SWING ARM...I-2	STARTING MOTOR..E-2	SERIAL FRAME NUMBER
CAM CHAIN.....C-3	CRANKCASE.....B-5	FRAME.....F-2	FUEL COCK.....F-8	OIL PAN.....B-8	REAR WHEEL.....I-8	STEERING DAMPER..G-6	GSX-R1100K : JSIGV73A K2100001~
CAM SHAFT.....C-2	CRANKCASE COVER..B-7	FRAME COVER.....F-11	FUEL TANK.....F-6	OIL PUMP.....B-9	SEAT.....F-9	STEERING STEM...G-4	GSX-R1100L : JSIGV73A L2100001~
CARBURETOR.....C-4	CRANKSHAFT.....B-10	FRONT BRAKE HOSE...H-5	GEAR SHIFT.....D-5	OPTIONAL.....J-10	SEAT TAIL COVER..F-10	TAIL LAMP.....E-11	
CARBURETOR FITT..C-6	CYLINDER.....B-4	FRONT CALIPERS.....H-5	HANDLE SWI.....H-4	REAR CALIPER.....I-10	SIGNAL GENERATOR..E-5	TRANSMISSION....D-3	
CLUTCH.....D-2	CYLINDER HEAD....B-3	FRONT DAMPER.....G-2	HANDLEBAR.....H-2	REAR CUSHION LEVER..I-4	SPEEDOMETER.....E-8	TURN SIGNAL LAMP..E-10	

FIG. 53

1 - 10

72

FIG. 53 (1-10) REAR CALIPER



REF.NO.	PART NO.	DESCRIPTION	Q'TY	REMARKS
	69100-17C00	CALIPER ASSY, rear	1	
1	69100-17830	.PISTON SET	1	
2	59107-18410	..SEAL	2	
3	59108-16700	..BOOT	2	
4	69107-34200	..SEAL	1	
5	69130-06B00	.PAD	2	
6	59145-17C00	.BOLT	2	
7	59143-16700	.SPRING	2	
8	69141-45000	.PIN	2	
9	69142-45000	.CLIP	2	
10	59151-16701	.COVER	1	
11	59121-18410	.BLEEDER	2	
12	59122-18410	.CAP	2	
13	62647-04A00	.DUST SEAL	2	
14	59371-33410	.SHIM	2	
15	01517-08304	BOLT	2	

GSX-R1100L E28

GSX-R1100L E28

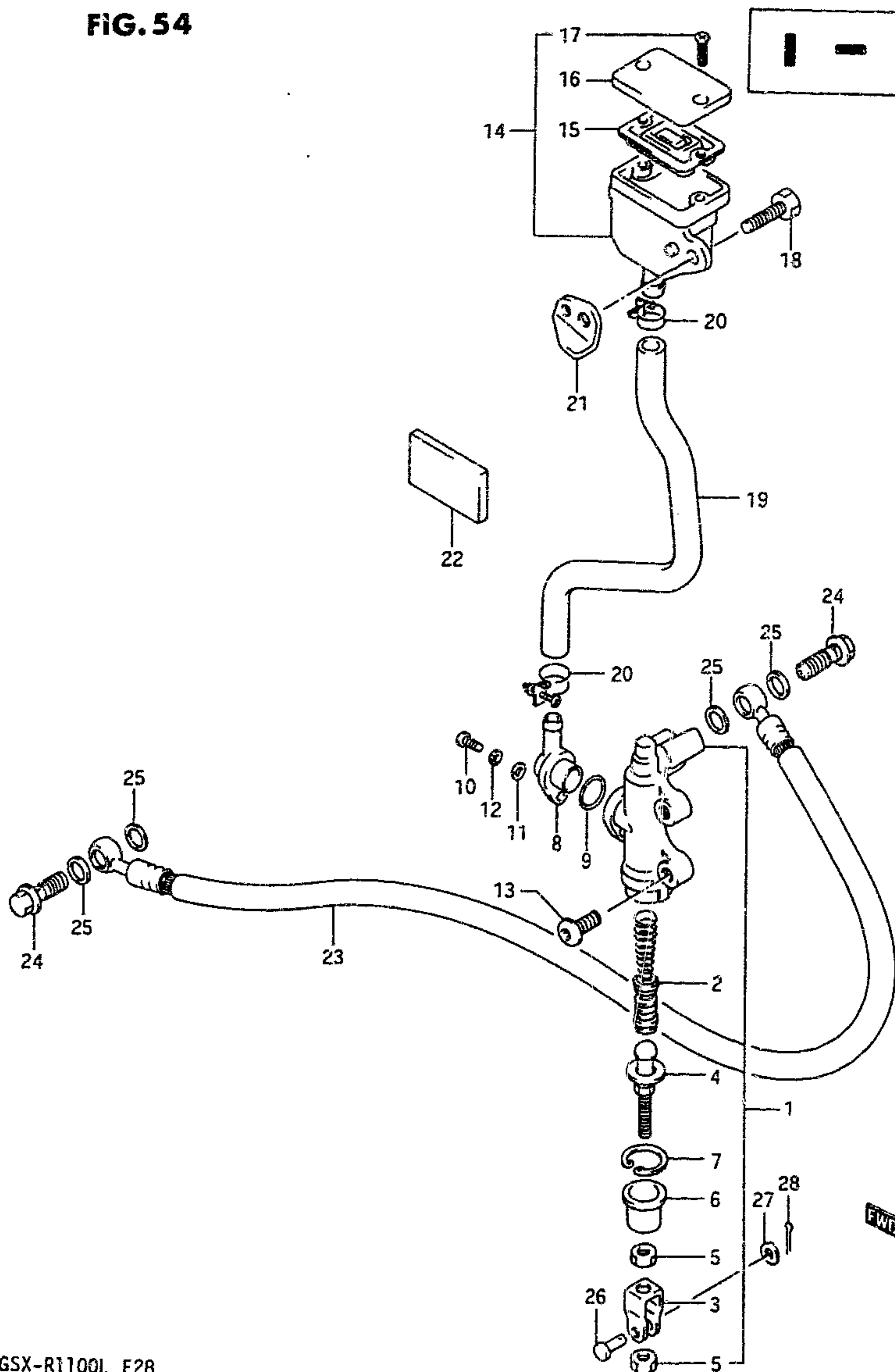
AIR CLEANER.....C-7	CLUTCH HOSE.....H-10	CYLINDER HEAD COVER..B-2	FRONT FENDER.....G-7	HEADLAMP.....E-9	REAR FENDER.....I-6	STAND.....F-3	WIRING HARNESS..E-12
ALTERNATOR.....E-3	CLUTCH MASTER CYL..H-9	ELECTRICAL.....E-7	FRONT MASTER CYL..H-8	MUFFLER.....C-8	REAR MASTER CYL..I-11	STARTER CLUTCH..B-11	
BATTERY.....E-6	COWLING.....J-4	FOOTREST.....F-4	FRONT WHEEL.....G-9	OIL COOLER.....C-9	REAR SWING ARM..I-2	STARTING MOTOR..E-2	SERIAL FRAME NUMBER
CAM CHAIN.....C-3	CRANKCASE.....B-5	FRAME.....F-2	FUEL COCK.....F-8	OIL PAN.....B-8	REAR WHEEL.....I-8	STEERING DAMPER..G-6	GSX-R1100K : JS1GV73A K2100001~
CAM SHAFT.....C-2	CRANKCASE COVER..B-7	FRAME COVER.....F-11	FUEL TANK.....F-6	OIL PUMP.....B-9	SEAT.....F-9	STEERING STEM..G-4	GSX-R1100L : JS1GV73A L2100001~
CARBURETOR.....C-4	CRANKSHAFT.....B-10	FRONT BRAKE HOSE...H-6	GEAR SHIFT.....D-5	OPTIONAL.....J-10	SEAT TAIL COVER..F-10	TAIL LAMP.....E-11	
CARBURETOR FITT..C-6	CYLINDER.....B-4	FRONT CALIPERS.....H-5	HANDLE SWI.....H-4	REAR CALIPER.....I-10	SIGNAL GENERATOR..E-5	TRANSMISSION....D-3	
CLUTCH.....D-2	CYLINDER HEAD....B-3	FRONT DAMPER.....G-2	HANDLEBAR.....H-2	REAR CUSHION LEVER..I-4	SPEEDOMETER.....E-8	TURNSIGNAL LAMP..E-10	

FIG. 54

73

FIG. 54 (1-11) REAR MASTER CYLINDER (model K)

1 - 11



REF.NO.	PART NO.	DESCRIPTION	Q'TY	REMARKS
1	69600-17C00	CYLINDER ASSY, rear master (Black)	1	69600-17C01
2	69600-16820	.PISTON / CAP SET	1	
3	69692-27A30	.YOKE	1	
4	69670-48B00	.ROD, push	1	
5	69693-05A00	.NUT	2	
6	69691-00A00	.BOOT	1	
7	51162-70040	.CIRCLIP	1	
8	69672-05A00	.CONNECTOR	1	
9	69686-34200	.O RING	1	
10	02112-04124	.SCREW	1	
11	08322-21045	.WASHER	1	
12	08321-21045	.LOCK WASHER	1	
13	09139-08009	BOLT (8x22)	2	
14	69740-38B20	TANK ASSY, rear reservoir	1	
15	59667-04700	.DIAPHRAGM	1	
16	69669-24A00	.CAP	1	
17	69689-04A00	.SCREW	2	
18	01107-06257	BOLT	1	
19	69731-17C10	HOSE, reservoir	1	
20	09400-16302	CLAMP	2	
21	69751-17C00	BRACKET, tank rear	1	
22	69732-17C01	CUSHION, hose side	1	
23	69480-40C00	HOSE, rear brake	1	
24	09360-10017	BOLT	2	
25	09161-10009	WASHER (10x15x1.5)	4	
26	09200-06037	PIN	1	
27	08322-21067	WASHER	1	
28	04111-20158	PIN, cotter	1	

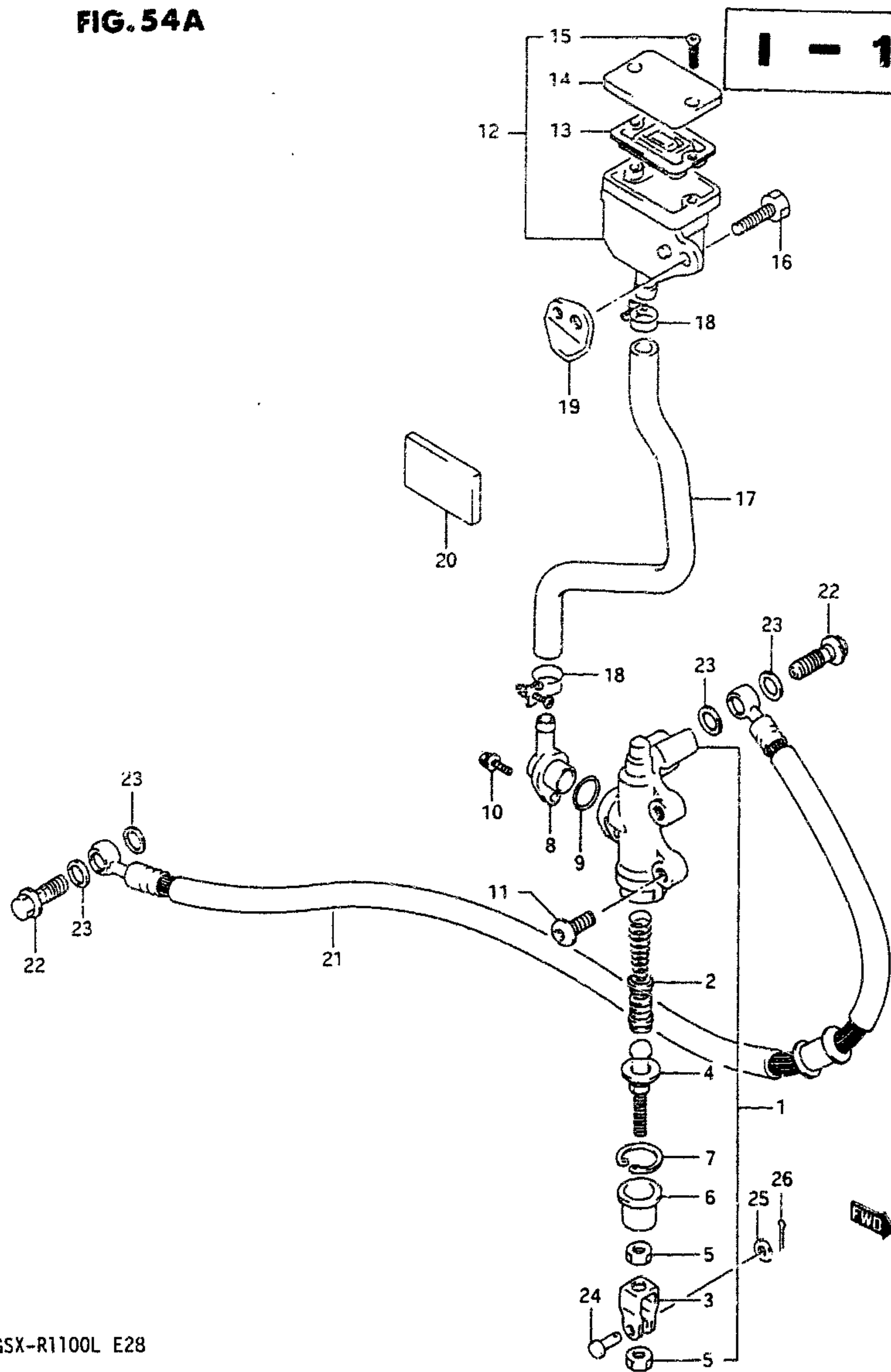
Refer to FIG.54A(i-12) for model L

GSX-R1100L E28

GSX-R1100L E28

AIR CLEANER.....C-7	CLUTCH HOSE.....H-10	CYLINDER HEAD COVER..B-2	FRONT FENDER.....G-7	HEADLAMP.....E-9	REAR FENDER.....i-6	STAND.....F-3	WIRING HARNESS..E-12
ALTERNATOR.....E-3	CLUTCH MASTER CYL..H-9	ELECTRICAL.....E-7	FRONT MASTER CYL..H-8	MUFFLER.....C-8	REAR MASTER CYL..i-11	STARTER CLUTCH..B-11	
BATTERY.....E-6	COWLING.....J-4	FOOTREST.....F-4	FRONT WHEEL.....G-9	OIL COOLER.....C-9	REAR SWING ARM...i-2	STARTING MOTOR..E-2	SERIAL FRAME NUMBER
CAM CHAIN.....C-3	CRANKCASE.....B-5	FRAME.....F-2	FUEL COCK.....F-8	OIL PAN.....B-8	REAR WHEEL.....i-8	STEERING DAMPER..G-6	GSX-R1100K : JS1GV73A K2100001~
CAM SHAFT.....C-2	CRANKCASE COVER..B-7	FRAME COVER.....F-11	FUEL TANK.....F-6	OIL PUMP.....B-9	SEAT.....F-9	STEERING STEM...G-4	GSX-R1100L : JS1GV73A L2100001~
CARBURETOR.....C-4	CRANKSHAFT.....B-10	FRONT BRAKE HOSE...H-6	GEAR SHIFT.....D-5	OPTIONAL.....J-10	SEAT TAIL COVER..F-10	TAIL LAMP.....E-11	
CARBURETOR FITT..C-6	CYLINDER.....B-4	FRONT CALIPERS.....H-5	HANDLE SWI.....H-4	REAR CALIPER.....i-10	SIGNAL GENERATOR..E-5	TRANSMISSION....D-3	
CLUTCH.....D-2	CYLINDER HEAD.....B-3	FRONT DAMPER.....G-2	HANDLEBAR.....H-2	REAR CUSHION LEVER..i-4	SPEEDOMETER.....E-8	TURN SIGNAL LAMP..E-10	

FIG. 54A



74


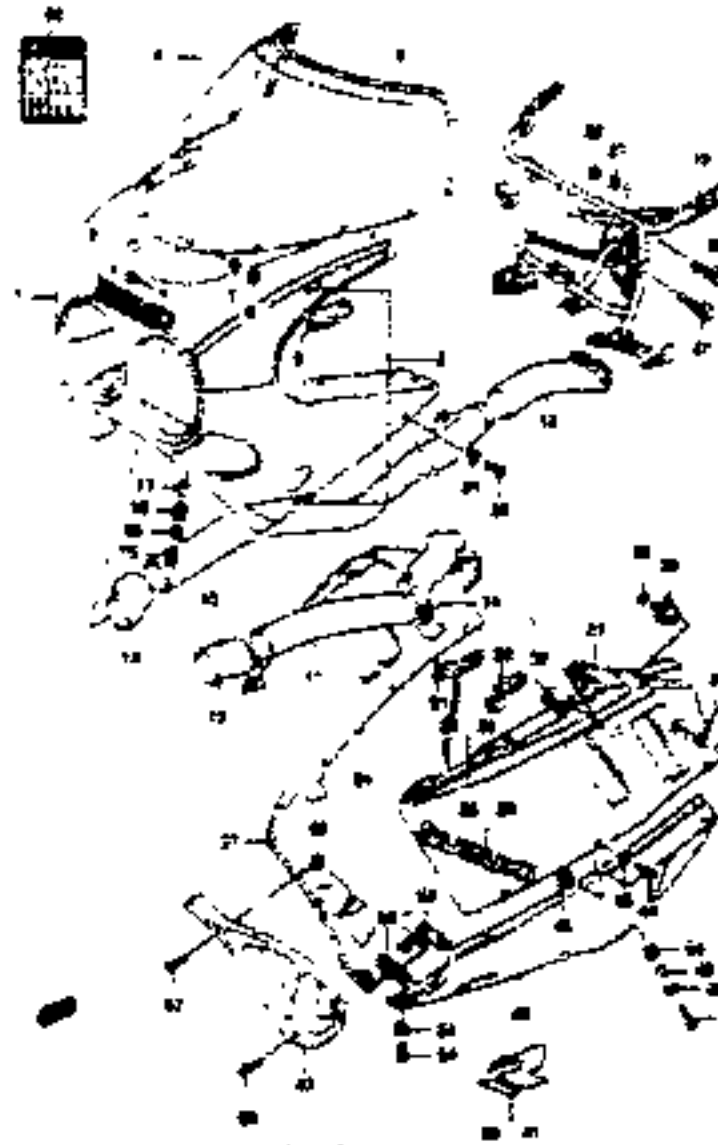
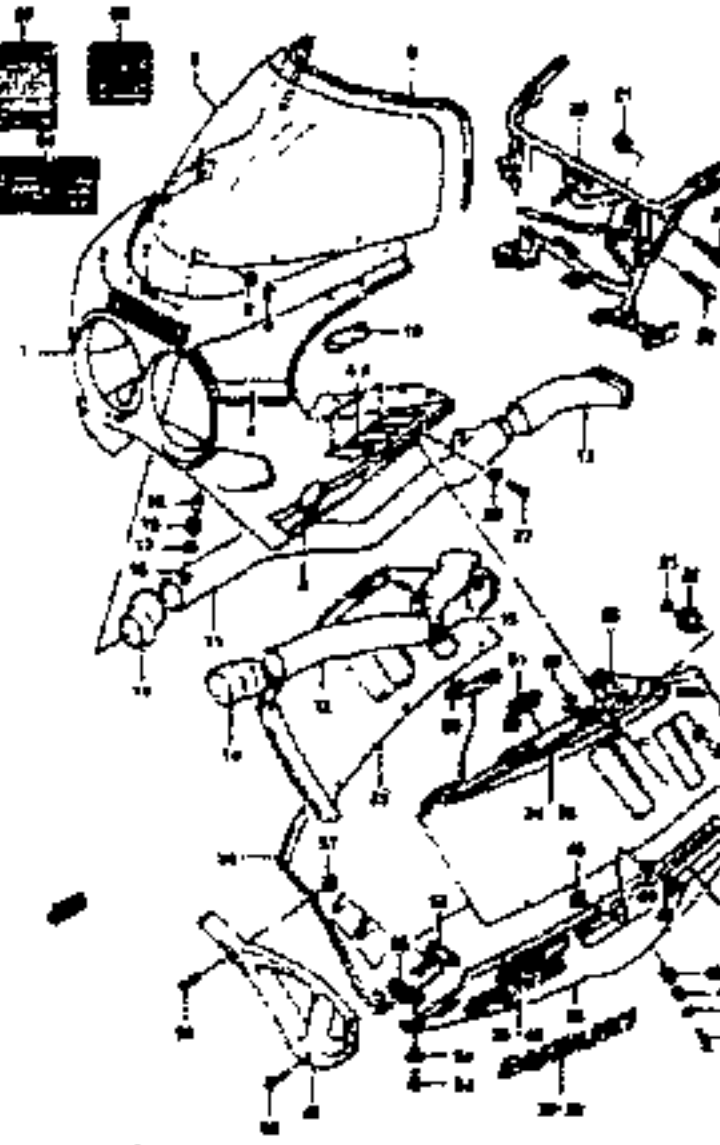
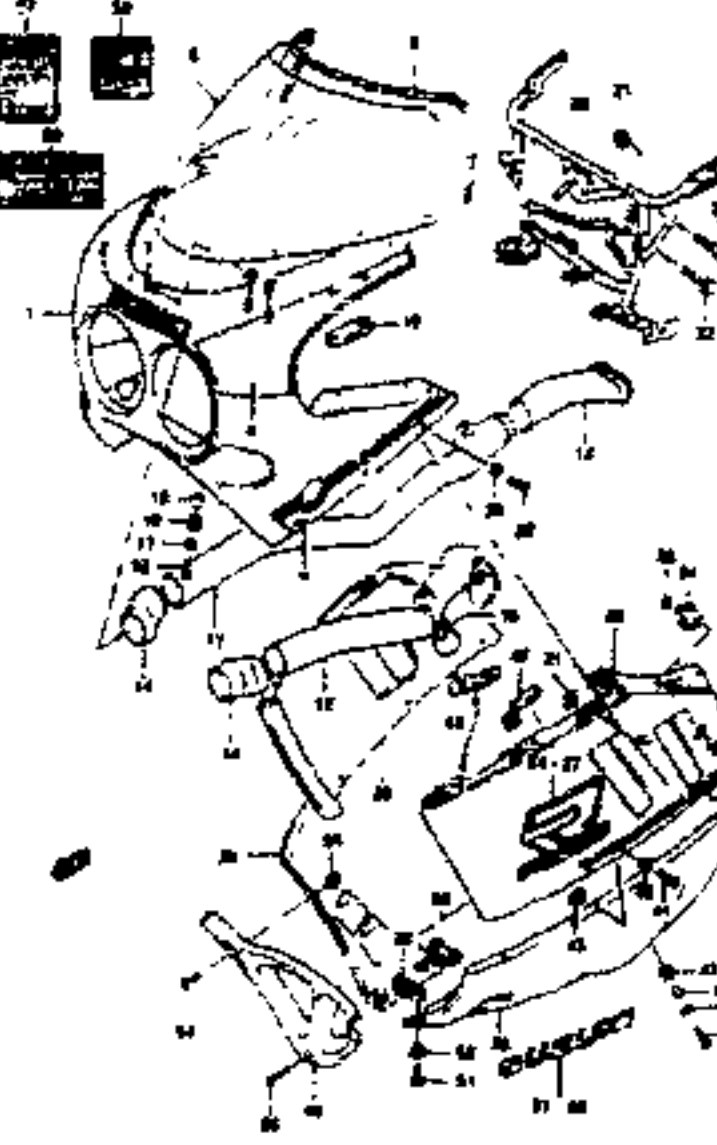
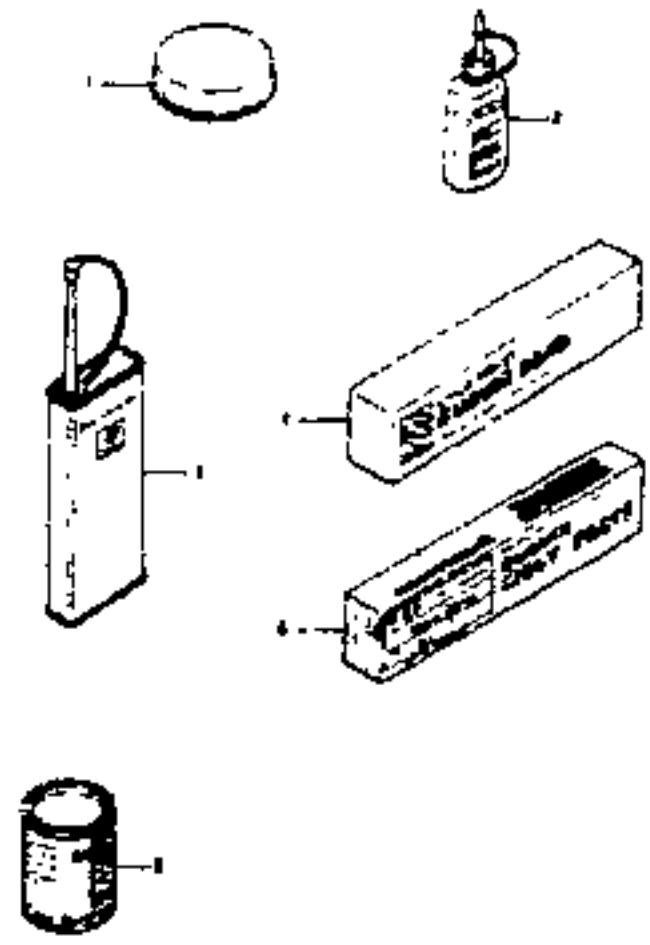
FIG. 54A(1-12) REAR MASTER CYLINDER (model L)

REF.NO.	PART NO.	DESCRIPTION	Q'TY	REMARKS
1	69600-17C01	CYLINDER ASSY, rear master (White)	1	
2	69600-16820	.PISTON / CAP SET	1	
3	69692-27A30	.YOKE	1	
4	69670-48800	.ROD, push	1	
5	69693-05A00	.NUT	2	
6	69691-00A00	.BOOT	1	
7	51162-70040	.CIRCLIP	1	
8	69672-05A00	.CONNECTOR	1	
9	69686-34200	.O RING	1	
10	02112-74125	.SCREW	1	
11	09139-08009	BOLT (8x22)	2	
12	69740-38820	TANK ASSY, rear reservoir	1	
13	59667-04700	.DIAPHRAGM	1	
14	69669-24A01	.CAP	1	
15	69689-04A00	.SCREW	2	
16	01107-06257	BOLT	1	
17	69731-17C10	HOSE, reservoir	1	
18	09400-16302	CLAMP	2	
19	69751-17C00	BRACKET, tank rear	1	
20	69732-17C01	CUSHION, hose side	1	
21	69480-40C10	HOSE, rear brake	1	
22	09360-10017	BOLT	2	
23	09161-10009	WASHER (10x15x1.5)	4	
24	09200-06037	PIN	1	
25	08322-21067	WASHER	1	
26	04111-20158	PIN, cotter	1	

GSX-R1100L E28

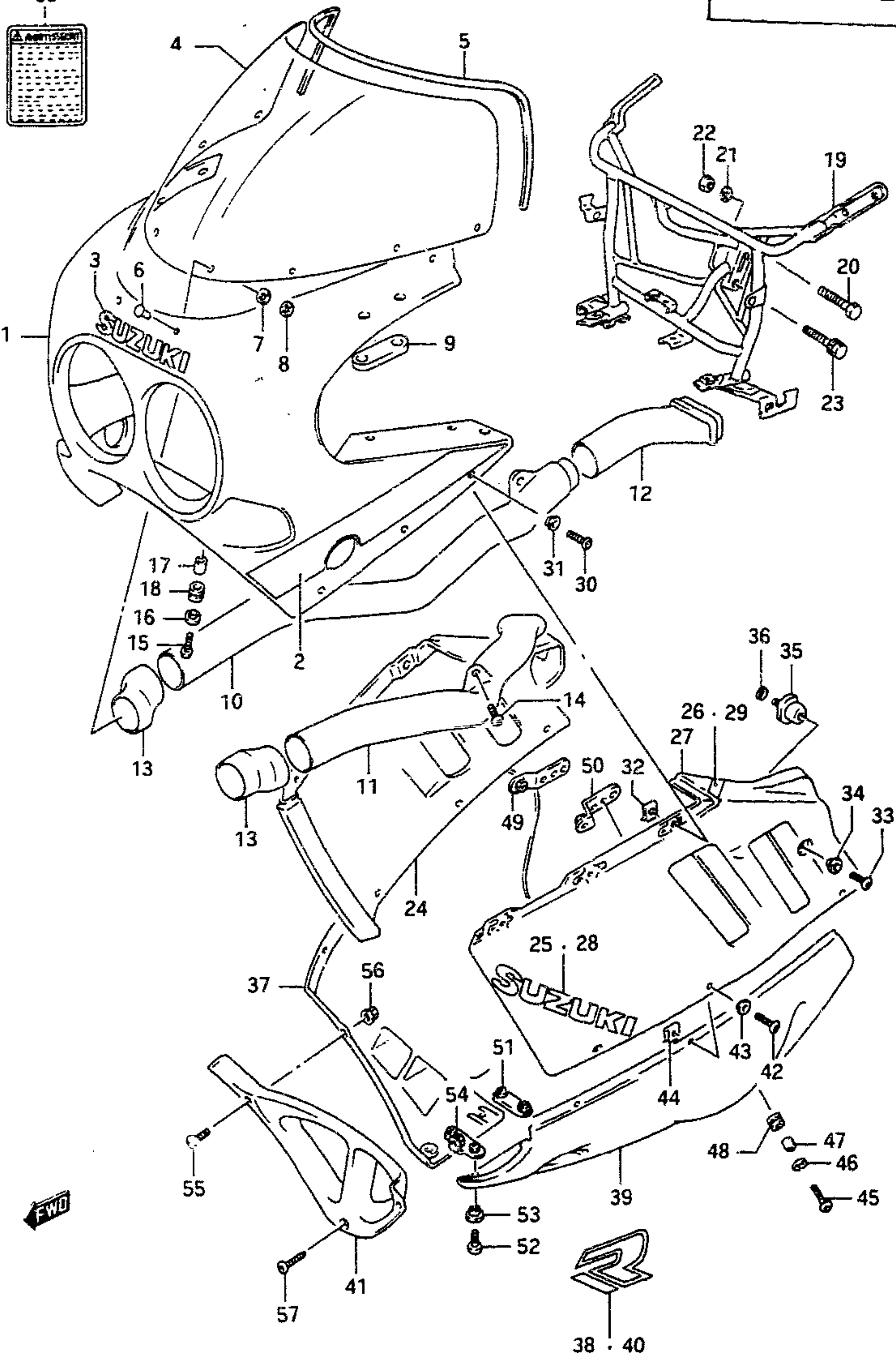
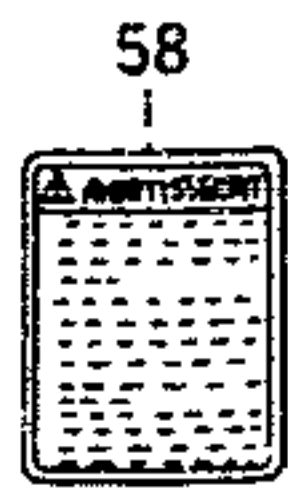
GSX-R1100L E28

AIR CLEANER.....C-7	CLUTCH HOSE.....H-10	CYLINDER HEAD COVER..B-2	FRONT FENDER.....G-7	HEADLAMP.....E-9	REAR FENDER.....I-6	STAND.....F-3	WIRING HARNESS..E-12
ALTERNATOR.....E-3	CLUTCH MASTER CYL..H-9	ELECTRICAL.....E-7	FRONT MASTER CYL..H-8	MUFFLER.....C-8	REAR MASTER CYL..I-11	STARTER CLUTCH..B-11	
BATTERY.....E-6	COWLING.....J-4	FOOTREST.....F-4	FRONT WHEEL.....G-9	OIL COOLER.....C-9	REAR SWING ARM...I-2	STARTING MOTOR..E-2	SERIAL FRAME NUMBER
CAM CHAIN.....C-3	CRANKCASE.....B-5	FRAME.....F-2	FUEL COCK.....F-8	OIL PAN.....B-8	REAR WHEEL.....I-8	STEERING DAMPER..G-6	GSX-R1100K : JS1GV73A K2100001~
CAM SHAFT.....C-2	CRANKCASE COVER..B-7	FRAME COVER.....F-11	FUEL TANK.....F-6	OIL PUMP.....B-9	SEAT.....B-9	STEERING STEM...G-4	GSX-R1100L : JS1GV73A L2100001~
CARBURETOR.....C-4	CRANKSHAFT.....B-10	FRONT BRAKE HOSE..H-6	GEAR SHIFT.....D-5	OPTIONAL.....J-10	SEAT TAIL COVER..F-10	TAIL LAMP.....E-11	
CARBURETOR FITT..C-6	CYLINDER.....B-4	FRONT CALIPERS...H-5	HANDLE SWI.....H-4	REAR CALIPER.....I-10	SIGNAL GENERATOR..E-5	TRANSMISSION....D-3	
CLUTCH.....D-2	CYLINDER HEAD.....B-3	FRONT DAMPER.....G-2	HANDLEBAR.....H-2	REAR CUSHION LEVER..I-4	SPEEDOMETER.....E-8	TURN SIGNAL LAMP..E-10	

COWLING (model K 9SR)	J-2 COWLING (model K 3EE)	J-4 COWLING (model L 3SH)	J-6 COWLING (model L 3CG)	J-8 OPTIONAL	J-10
					

AIR CLEANER.....C-7	CLUTCH HOSE.....H-10	CYLINDER HEAD COVER..B-2	FRONT FENDER.....G-7	HEADLAMP.....E-9	REAR FENDER.....I-6	STAND.....F-3	WIRING HARNESS..E-12
ALTERNATOR.....E-3	CLUTCH MASTER CYL..H-9	ELECTRICAL.....E-7	FRONT MASTER CYL..H-8	MUFFLER.....C-8	REAR MASTER CYL..I-11	STARTER CLUTCH..B-11	
BATTERY.....E-6	COWLING.....J-4	FOOTREST.....F-4	FRONT WHEEL.....G-9	OIL COOLER.....C-9	REAR SWING ARM...I-2	STARTING MOTOR..E-2	SERIAL FRAME NUMBER
CAM CHAIN.....C-3	CRANKCASE.....B-5	FRAME.....F-2	FUEL COCK.....F-8	OIL PAN.....B-8	REAR WHEEL.....I-8	STEERING DAMPER..G-6	GSX-R1100K : JS1GV73A K2100001~
CAM SHAFT.....C-2	CRANKCASE COVER..B-7	FRAME COVER.....F-11	FUEL TANK.....F-6	OIL PLUMP.....B-9	SEAT.....F-9	STEERING STEM...G-4	GSX-R1100L : JS1GV73A L2100001~
CARBURETOR.....C-4	CRANKSHAFT.....B-10	FRONT BRAKE HOSE...H-6	GEAR SHIFT.....D-5	OPTIONAL.....J-10	SEAT TAIL COVER..F-10	TAIL LAMP.....E-11	
CARBURETOR FITT..C-6	CYLINDER.....B-4	FRONT CALIPERS.....H-5	HANDLE SWI.....H-4	REAR CALIPER.....I-10	SIGNAL GENERATOR..E-5	TRANSMISSION....D-3	
CLUTCH.....D-2	CYLINDER HEAD....B-3	FRONT DAMPER.....G-2	HANDLEBAR.....H-2	REAR CUSHION LEVER..I-4	SPEEDOMETER.....E-8	TURN SIGNAL LAMP..E-10	

FIG. 55



J - 2

75

FIG.55 (J- 2) COWLING (model K 9SR)

REF.NO.	PART NO.	DESCRIPTION	Q'TY	REMARKS
1-1	94400-40C01-9SR	BODY ASSY, cowling (Blue/White)	1	Clear coating
1-2	94400-40C02-9SR	BODY ASSY, cowling (Blue/White)	1	No.Clear coating
2	68270-40C00-39K	.TAPE SET	1	
3	68185-05C10-22R	.EMBLEM	1	
4	94610-40C00	SCREEN SET, wind	1	
5	94631-40C00	.MOLDING	1	
6	94616-40C01	PIN, screen	8	
7	09320-04007	CUSHION	8	
8	09148-04032	NUT	8	
9	94576-12C00	CUSHION, mirror	2	
10	94451-40C00	PIPE, air intake front RH	1	
11	94452-40C00	PIPE, air intake front LH	1	
12	94453-17C00	PIPE, air intake rear RH	1	
13	94454-40C00	JOINT, air intake	2	
14	02142-06205	SCREW	2	
15	09139-06056	SCREW, body front	2	
16	09160-06056	WASHER	2	
17	09180-06152	SPACER	2	
18	09320-09016	CUSHION	2	
19	94510-40C02	BRACE, cowling	1	
20	01107-08355	BOLT, upper	1	
21	08321-21084	LOCK WASHER	1	
22	08310-12085	NUT, upper	1	
23	01137-08355	BOLT, lower	1	
24-1	94430-40C00-9SR	COVER, side RH (Blue/White)	1	Clear coating
24-2	94430-40C01-9SR	COVER, side RH (Blue/White)	1	No Clear coating
25	68112-43400-22R	.EMBLEM	1	
26	68685-40C00-39K	.TAPE, side RH	1	
27-1	94440-40C00-9SR	COVER, side LH (Blue/White)	1	Clear coating
27-2	94440-40C01-9SR	COVER, side LH (Blue/White)	1	No Clear coating
28	68112-43400-22R	.EMBLEM	1	
29	68695-40C00-39K	.TAPE, side LH	1	

Refer to FIG.56 (J-4) for model K 3EE
 Refer to FIG.57 (J-6) for model L 3SH
 Refer to FIG.58 (J-8) for model L 3CG

GSX-R1100L E28

GSX-R1100L E28

AIR CLEANER.....C-7	CLUTCH HOSE.....H-10	CYLINDER HEAD COVER..B-2	FRONT FENDER.....G-7	HEADLAMP.....E-9	REAR FENDER.....I-6	STAND.....F-3	WIRING HARNESS..E-12
ALTERNATOR.....E-3	CLUTCH MASTER CYL..H-9	ELECTRICAL.....E-7	FRONT MASTER CYL..H-6	MUFFLER.....C-8	REAR MASTER CYL..I-11	STARTER CLUTCH..B-11	
BATTERY.....E-6	COWLING.....J-4	FOOTREST.....F-4	FRONT WHEEL.....G-9	OIL COOLER.....C-9	REAR SWING ARM...I-2	STARTING MOTOR..E-2	SERIAL FRAME NUMBER
CAM CHAIN.....C-3	CRANKCASE.....B-5	FRAME.....F-2	FUEL COCK.....F-8	OIL PAN.....B-1	REAR WHEEL.....I-8	STEERING DAMPER..G-6	GSX-R1100K : JS1GV73A K2100001~
CAM SHAFT.....C-2	CRANKCASE COVER...B-7	FRAME COVER.....F-11	FUEL TANK.....F-6	OIL PUMP.....F-9	SEAT.....F-9	STEERING STEM...G-4	GSX-R1100L : JS1GV73A L2100001~
CARBURETOR.....C-4	CRANKSHAFT.....B-10	FRONT BRAKE HOSE...H-6	GEAR SHIFT.....D-5	OPTIONAL.....J-10	SEAT TAIL COVER..F-10	TAIL LAMP.....E-11	
CARBURETOR FITT..C-6	CYLINDER.....B-4	FRONT CALIPERS....H-5	HANDLE SWI.....H-4	REAR CALIPER.....I-10	SIGNAL GENERATOR..E-5	TRANSMISSION....D-3	
CLUTCH.....D-2	CYLINDER HEAD.....B-3	FRONT DAMPER.....G-2	HANDLEBAR.....H-2	REAR CUSHION LEVER..I-4	SPEEDOMETER.....E-8	TURN SIGNAL LAMP..E-10	

FIG. 55

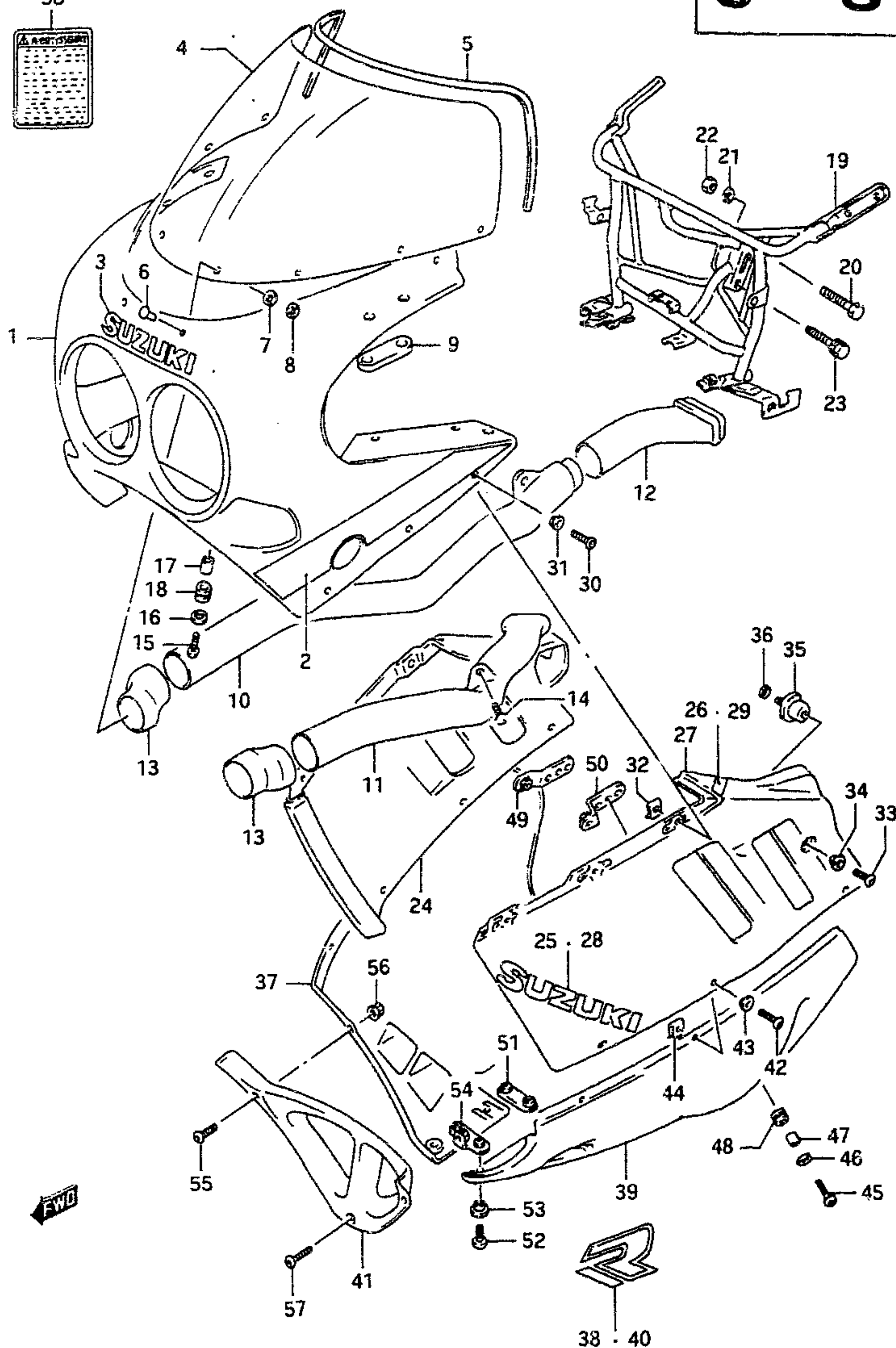
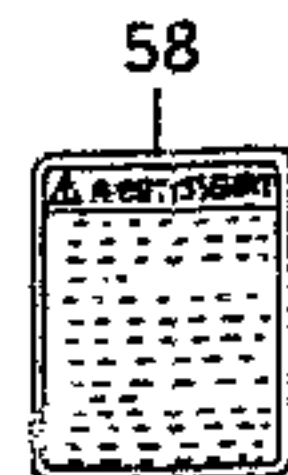


FIG. 55 (J- 3) COWLING (model K 9SR)

Q'TY

REMARKS

REF.NO.	PART NO.	DESCRIPTION	Q'TY	REMARKS
30	09139-05032	SCREW, cover upper	8	
31	09161-05017	WASHER	8	
32	94484-32800	NUT	8	
33	09139-06027	SCREW	2	
34	09161-06021	WASHER	2	
35	94570-04A00	CUSHION, cover	2	
36	08321-21064	LOCK WASHER	2	
37-1	94470-40C50-2GZ	COWLING, under RH (Blue/White)	1	Clear coating
37-2	94470-40C51-2GZ	COWLING, under RH (Blue/White)	1	No Clear coating
38	68191-06800-2GR	.EMBLEM	1	
39-1	94480-40C50-2GZ	COWLING, under LH (Blue/White)	1	Clear coating
39-2	94480-40C51-2GZ	COWLING, under LH (Blue/White)	1	No Clear coating
40	68191-06800-2GR	.EMBLEM	1	
41-1	94498-17C00-2ZR	COWLING, under front (White)	1	
41-2	94498-17C01	COWLING, under front (Black)	1	
42	09139-05032	SCREW, under upper	6	
43	09161-05017	WASHER	6	
44	94484-32800	NUT	6	
45	09139-06028	SCREW, under lower	2	
46	09160-06056	WASHER	2	
47	09180-06152	SPACER	2	
48	09320-09016	CUSHION	2	
49	94580-17C01	BRACE, under RH	1	
50	94590-17C01	BRACE, under LH	1	
51	94493-06800	BRACE, lower	1	
52	09139-06039	SCREW	4	
53	09161-06021	WASHER	4	
54	94490-06800	BRACE, lower front	1	
55	09139-05025	SCREW	2	
56	08316-26055	NUT	2	
57	09139-06030	SCREW	1	
58-1	68612-48B10	LABEL, warning screen (French)	1	
58-2	68612-48B00	LABEL, warning screen	1	
58-3	68613-40C00	LABEL, warning steering	1	

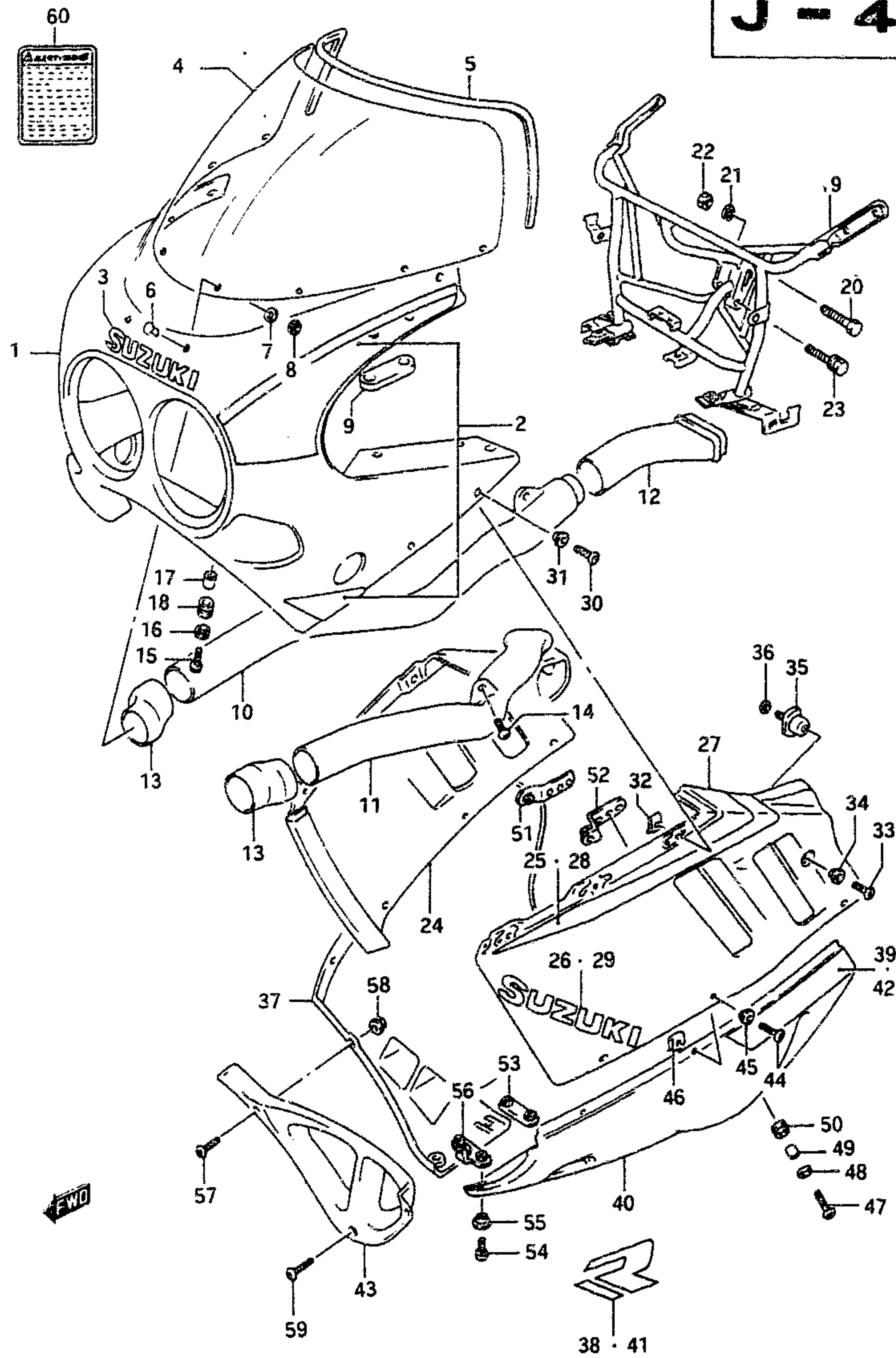
Refer to FIG.56 (J-4) for model K 3EE
 Refer to FIG.57 (J-6) for model L 3SH
 Refer to FIG.58 (J-8) for model L 3CG

GSX-R1100L E28

GSX-R1100L E28

AIR CLEANER.....C-7	CLUTCH HOSE.....H-10	CYLINDER HEAD COVER.....B-2	FRONT FENDER.....G-7	HEADLAMP.....E-9	REAR FENDER.....I-5	STAND.....F-3	WIRING HARNESS.....E-12
ALTERNATOR.....E-3	CLUTCH MASTER CYL.....H-9	ELECTRICAL.....E-7	FRONT MASTER CYL.....H-8	MUFFLER.....C-8	REAR MASTER CYL.....I-11	STARTER CLUTCH.....B-11	
BATTERY.....E-6	COWLING.....J-4	FOOTREST.....F-4	FRONT WHEEL.....G-9	OIL COOLER.....C-9	REAR SWING ARM.....I-2	STARTING MOTOR.....E-2	SERIAL FRAME NUMBER
CAM CHAIN.....C-3	CRANKCASE.....B-5	FRAME.....F-2	FUEL COCK.....F-8	OIL PAN.....B-8	REAR WHEEL.....I-8	STEERING DAMPER.....G-6	GSX-R1100K : JS1GV73A K2100001~
CAM SHAFT.....C-2	CRANKCASE COVER.....B-7	FRAME COVER.....F-11	FUEL TANK.....F-6	OIL PUMP.....B-9	SEAT.....F-9	STEERING STEM.....G-4	GSX-R1100L : JS1GV73A L2100001~
CARBURETOR.....C-4	CRANKSHAFT.....B-10	FRONT BRAKE HOSE.....H-6	GEAR SHIFT.....D-5	OPTIONAL.....J-10	SEAT TAIL COVER.....F-10	TAIL LAMP.....E-11	
CARBURETOR FITT.....C-6	CYLINDER.....B-4	FRONT CALIPERS.....H-5	HANDLE SWI.....H-4	REAR CALIPER.....I-10	SIGNAL GENERATOR.....E-5	TRANSMISSION.....D-3	
CLUTCH.....D-2	CYLINDER HEAD.....B-3	FRONT DAMPER.....G-2	HANDLEBAR.....H-2	REAR CUSHION LEVER.....I-4	SPEEDOMETER.....E-8	TURNSIGNAL LAMP.....E-10	

FIG. 56



J-4

FIG. 56 (J- 4) COWLING (model K 3EE)

REF.NO.	PART NO.	DESCRIPTION	Q'TY	REMARKS
1-1	94400-40C61-3EE	BODY ASSY, cowling (Black/Red)	1	to 94400-40C62-33J
1-2	94400-40C62-33J	BODY ASSY, cowling (Black)	1	Clear cotaing
2-1	68270-40C10-742	.TAPE SET	1	to 68270-40C11-8SH
2-2	68270-40C11-8SH	.TAPE SET	1	for 94400-40C62-33J
3	68185-05C10-742	.EMBLEM	1	
4	94610-40C00	SCREEN SET, wind	1	
5	94631-40C00	.MOLDING	1	
6	94616-40C01	PIN, screen	8	
7	09320-04007	CUSHION	8	
8	09148-04032	NUT	8	
9	94576-12C00	CUSHION, mirror	2	
10	94451-40C00	PIPE, air intake front RH	1	
11	94452-40C00	PIPE, air intake front LH	1	
12	94453-17C00	PIPE, air intake rear RH	1	
13	94454-40C00	JOINT, air intake	2	
14	02142-06205	SCREW	2	
15	09139-06056	SCREW, body front	2	
16	09160-06056	WASHER	2	
17	09180-06152	SPACER	2	
18	09320-09016	CUSHION	2	
19	94510-40C02	BRACE, cowling	1	
20	01107-08355	BOLT, upper	1	
21	08321-21084	LOCK WASHER	1	
22	08310-12085	NUT, upper	1	
23	01137-08355	BOLT, lower	1	
24-1	94430-40C10-3EE	COVER, side RH (Black/Red)	1	Clear coating
24-2	94430-40C11-3EE	COVER, side RH (Black/Red)	1	No Clear coating
25	68680-40C00-0GC	.TAPE SET, RH	1	
26	68681-17C00-742	.EMBLEM	1	
27-1	94440-40C10-3EE	COVER, side LH (Black/Red)	1	Clear coating
27-2	94440-40C11-3EE	COVER, side LH (Black/Red)	1	No Clear coating
28	68690-40C00-0GC	.TAPE SET, LH	1	
29	68681-17C00-742	.EMBLEM	1	
30	09139-05032	SCREW, cover upper	8	

Refer to FIG.57 (J-6) for model L 3SH
Refer to FIG.58 (J-8) for model L 3CG

GSX-R1100L E28

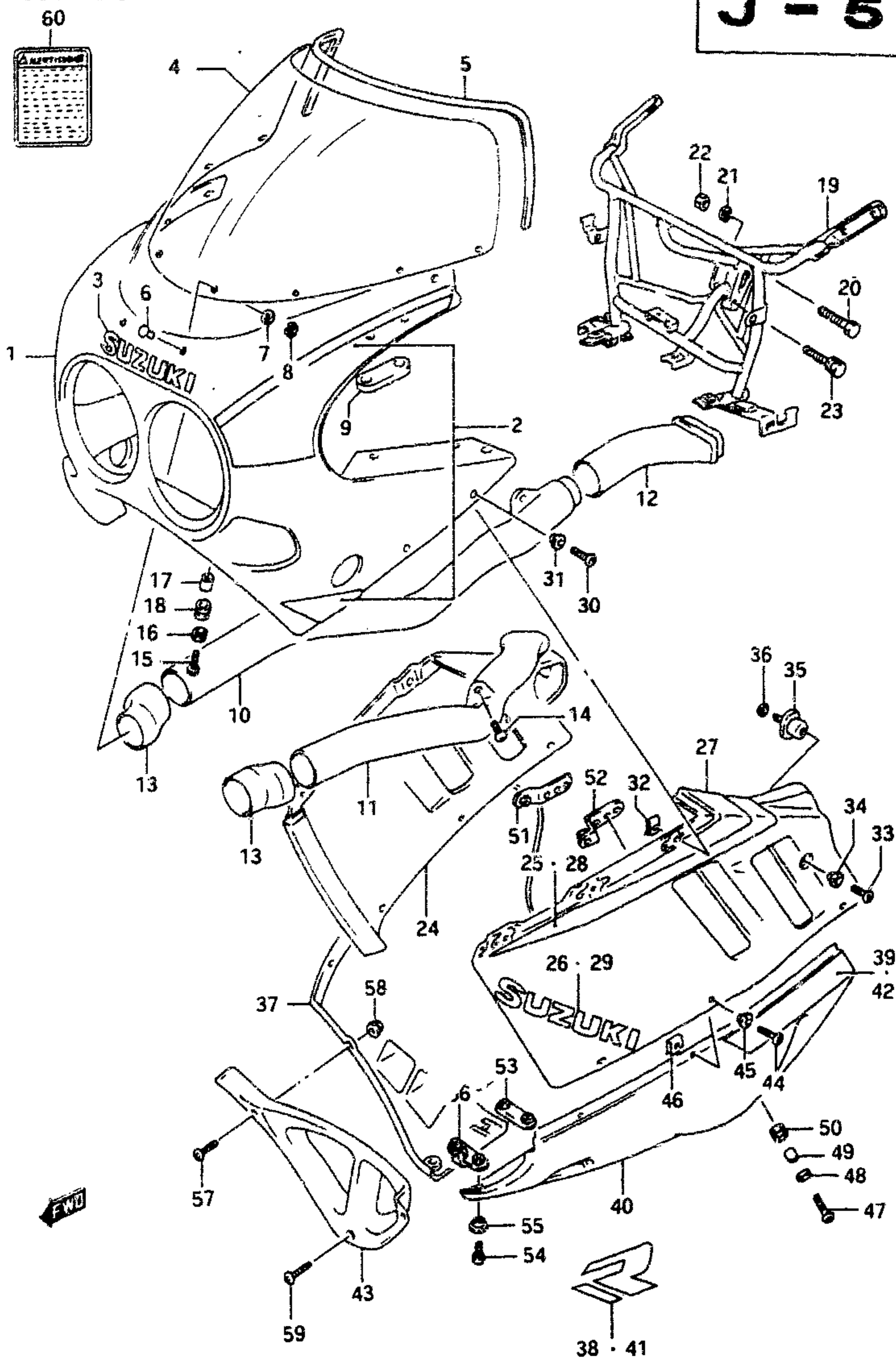
GSX-R1100L E28

AIR CLEANER.....C-7	CLUTCH HOSE.....H-10	CYLINDER HEAD COVER..B-2	FRONT FENDER.....G-7	HEADLAMP.....E-9	REAR FENDER.....i-6	STAND.....F-3	WIRING HARNESS..E-12
ALTERNATOR.....E-3	CLUTCH MASTER CYL..H-9	ELECTRICAL.....E-7	FRONT MASTER CYL..H-8	MUFFLER.....C-8	REAR MASTER CYL..i-11	STARTER CLUTCH..B-11	
BATTERY.....E-6	COWLING.....J-4	FOOTREST.....F-4	FRONT WHEEL.....G-9	OIL COOLER.....C-9	REAR SWING ARM...i-2	STARTING MOTOR..E-2	SERIAL FRAME NUMBER
CAM CHAIN.....C-3	CRANKCASE.....B-5	FRAME.....F-2	FUEL COCK.....F-8	OIL PAN.....B-8	REAR WHEEL.....i-8	STEERING DAMPER..G-6	GSX-R1100K : JS1GV73A K2100001~
CAM SHAFT.....C-2	CRANKCASE COVER...B-7	FRAME COVER.....F-11	FUEL TANK.....F-6	OIL PUMP.....B-9	SEAT.....F-9	STEERING STEM...G-4	GSX-R1100L : JS1GV73A L2100001~
CARBURETOR.....C-4	CRANKSHAFT.....B-10	FRONT BRAKE HOSE...H-6	GEAR SHIFT.....D-5	OPTIONAL.....J-10	SEAT TAIL COVER..F-10	TAIL LAMP.....E-11	
CARBURETOR FITT..C-6	CYLINDER.....B-4	FRONT CALIPERS.....H-5	HANDLE SWI.....H-4	REAR CALIPER.....i-10	SIGNAL GENERATOR..E-5	TRANSMISSION....D-3	
CLUTCH.....D-2	CYLINDER HEAD.....B-3	FRONT DAMPER.....G-2	HANDLEBAR.....H-2	REAR CUSHION LEVER..i-4	SPEEDOMETER.....E-8	TURN SIGNAL LAMP..E-10	

FIG. 56

J-5

FIG. 56 (J- 5) COWLING (model K 3EE)



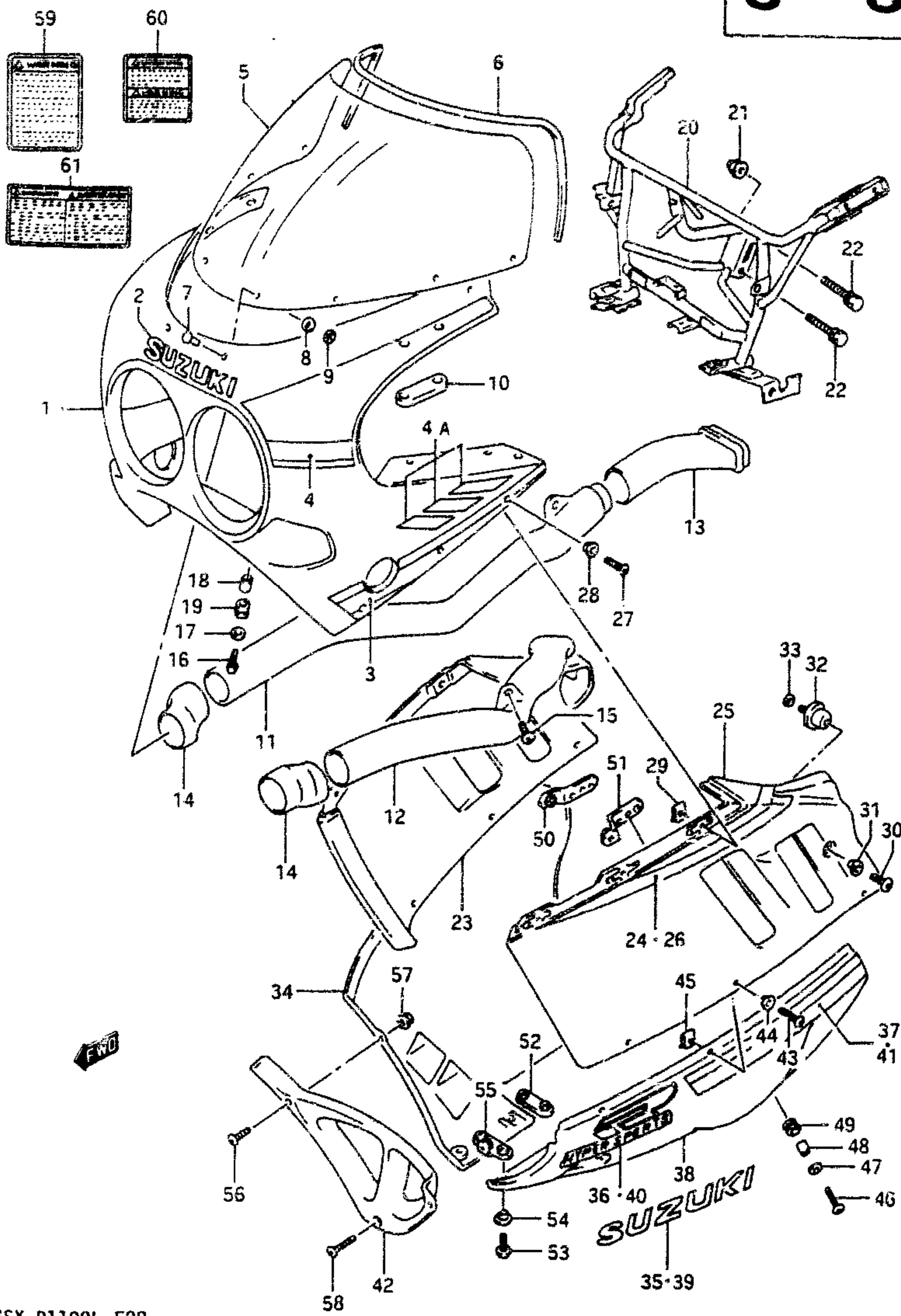
REF.NO.	PART NO.	DESCRIPTION	Q'TY	REMARKS
31	09161-05017	WASHER	8	
32	94484-32800	NUT	8	
33	09139-06027	SCREW	2	
34	09161-06021	WASHER	2	
35	94570-04A00	CUSHION, cover	2	
36	08321-21064	LOCK WASHER	2	
37-1	94470-40C10-3EE	COWLING, under RH (Black/Red)	1	Clear coating
37-2	94470-40C11-3EE	COWLING, under RH (Black/Red)	1	No Clear coating
38	68181-40C00-8SH	.EMBLEM	1	
39	68185-40C00-0GC	.TAPE, RH	1	
40-1	94480-40C10-3EE	COWLING, under LH (Black/Red)	1	Clear coating
40-2	94480-40C11-3EE	COWLING, under LH (Black/Red)	1	No Clear coating
41	68181-40C00-8SH	.EMBLEM	1	
42	68195-40C00-0GC	.TAPE, LH	1	
43-1	94498-17C00-33J	COWLING, under front (Black)	1	Clear coating
43-2	94498-17C01	COWLING, under front (Black)	1	No Clear coating
44	09139-05032	SCREW, under upper	6	
45	09161-05017	WASHER	6	
46	94484-32800	NUT	6	
47	09139-06028	SCREW, under lower	2	
48	09160-06056	WASHER	2	
49	09180-06152	SPACER	2	
50	09320-09016	CUSHION	2	
51	94580-17C01	BRACE, under RH	1	
52	94590-17C01	BRACE, under LH	1	
53	94493-06800	BRACE, lower	1	
54	09139-06039	SCREW	4	
55	09161-06021	WASHER	4	
56	94490-06800	BRACE, lower front	1	
57	09139-05025	SCREW	2	
58	08316-26055	NUT	2	
59	09139-06030	SCREW	1	
60-1	68612-48810	LABEL, warning screen (French)	1	
60-2	68612-48800	LABEL, warning screen	1	
60-3	68613-40C00	LABEL, warning steering	1	Refer to FIG.57 (J-6) for model L 3SH Refer to FIG.58 (J-8) for model L 3CG

GSX-R1100L E28

GSX-R1100L E28

AIR CLEANER.....C-7	CLUTCH HOSE.....H-10	CYLINDER HEAD COVER..B-2	FRONT FENDER.....G-7	HEADLAMP.....E-9	REAR FENDER.....I-6	STAND.....F-3	WIRING HARNESS..E-12
ALTERNATOR.....E-3	CLUTCH MASTER CYL..H-9	ELECTRICAL.....E-7	FRONT MASTER CYL..H-8	MUFFLER.....C-8	REAR MASTER CYL..I-11	STARTER CLUTCH..B-11	
BATTERY.....E-6	COWLING.....J-4	FOOTREST.....F-4	FRONT WHEEL.....G-9	OIL COOLER.....C-9	REAR SWING ARM...I-2	STARTING MOTOR..E-2	SERIAL FRAME NUMBER
CAM CHAIN.....C-3	CRANKCASE.....B-5	FRAME.....F-2	FUEL COCK.....F-8	OIL PAN.....B-8	REAR WHEEL.....I-8	STEERING DAMPER..G-6	GSX-R1100K : JS1GV73A K2100001~
CAM SHAFT.....C-2	CRANKCASE COVER..B-7	FRAME COVER.....F-11	FUEL TANK.....F-6	OIL PUMP.....B-9	SEAT.....F-9	STEERING STEM...G-4	GSX-R1100L : JS1GV73A L2100001~
CARBURETOR.....C-4	CRANKSHAFT.....B-10	FRONT BRAKE HOSE...H-6	GEAR SHIFT.....D-5	OPTIONAL.....J-10	SEAT TAIL COVER..F-10	TAIL LAMP.....E-11	
CARBURETOR FITT..C-6	CYLINDER.....B-4	FRONT CALIPERS.....H-5	HANDLE SWI.....H-4	REAR CALIPER.....I-10	SIGNAL GENERATOR..E-5	TRANSMISSION....D-3	
CLUTCH.....D-2	CYLINDER HEAD.....B-3	FRONT DAMPER.....G-2	HANDLEBAR.....H-2	REAR CUSHION LEVER..I-4	SPEEDOMETER.....E-8	TURN SIGNAL LAMP..E-10	

FIG. 57



J-6

FIG. 57 (J- 6) COWLING (model L 35H)

REF. NO.	PART NO.	DESCRIPTION	Q'TY	REMARKS
1	94400-40C71-0JW	BODY ASSY, cowling (White)	1	
2	68185-05C10-ONE	.EMBLEM	1	
3	68270-40C30-3TU	.TAPE SET, side	1	
4	68280-40C00-3TU	.TAPE SET, front	1	
4A	68270-32C40-3BK	.TAPE SET, upper	1	
5	94610-40C21	SCREEN SET, wind	1	
6	94631-40C20	.MOLDING	1	
7	94616-40C01	PIN, screen	8	
8	09320-04007	CUSHION	8	
9	09148-04032	NUT	8	
10	94576-12C00	CUSHION, mirror	2	
11	94451-40C00	PIPE, air intake front RH	1	
12	94452-40C00	PIPE, air intake front LH	1	
13	94453-17C00	PIPE, air intake rear RH	1	
14	94454-40C00	JOINT, air intake	2	
15	02142-06205	SCREW	2	
16	09139-06056	SCREW, body front	2	
17	09160-06056	WASHER	2	
18	09180-06152	SPACER	2	
19	09320-09016	CUSHION	2	
20	94510-40C12	BRACE, cowling	1	
21	08313-21085	NUT, upper	1	
22	01137-08355	BOLT	2	
23	94430-40C61-3SH	COVER, side RH (Blue/White)	1	
24	68685-40C20-3TS	.TAPE, side RH	1	
25	94440-40C61-3SH	COVER, side LH (Blue/White)	1	
26	68695-40C20-3TS	.TAPE, side LH	1	
27	09139-05032	SCREW, cover upper	8	
28	09161-05017	WASHER	8	
29	94484-32800	NUT	8	
30	09139-06027	SCREW	2	
31	09161-06021	WASHER	2	

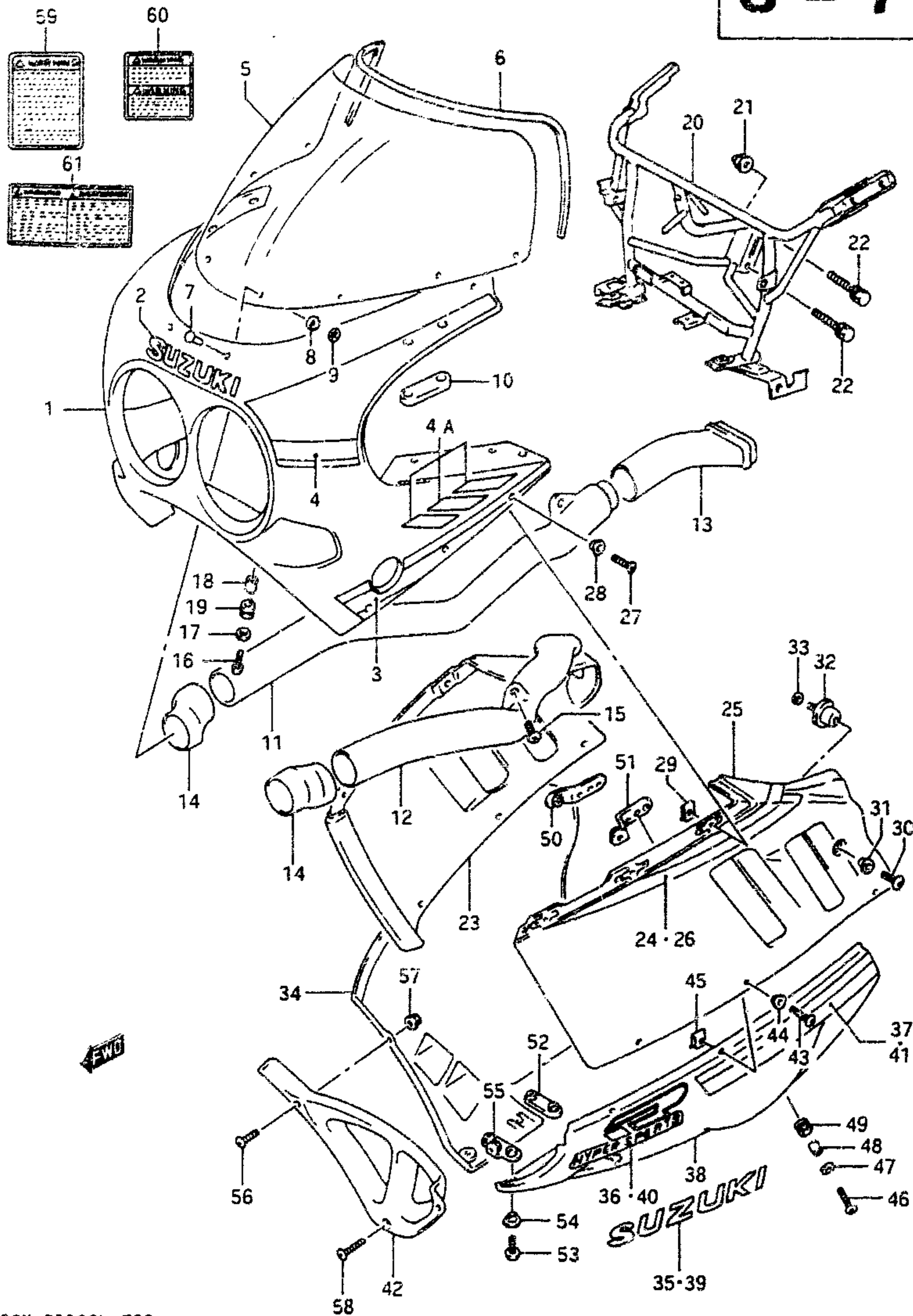
Refer to FIG. 58 (J-8) for model L 3CG

GSX-R1100L E28

GSX-R1100L E28

AIR CLEANER.....C-7	CLUTCH HOSE.....H-10	CYLINDER HEAD COVER..B-2	FRONT FENDER.....G-7	HEADLAMP.....E-9	REAR FENDER.....I-6	STAND.....F-3	WIRING HARNESS..E-12
ALTERNATOR.....E-3	CLUTCH MASTER CYL..H-9	ELECTRICAL.....E-7	FRONT MASTER CYL..H-8	MUFFLER.....C-8	REAR MASTER CYL..I-11	STARTER CLUTCH..B-11	
BATTERY.....E-6	COWLING.....J-4	FOOTREST.....F-4	FRONT WHEEL.....G-9	OIL COOLER.....C-9	REAR SWING ARM...I-2	STARTING MOTOR..E-2	SERIAL FRAME NUMBER
CAM CHAIN.....C-3	CRANKCASE.....B-5	FRAME.....F-2	FUEL COCK.....F-8	OIL PAN.....B-8	REAR WHEEL.....I-8	STEERING DAMPER..G-6	GSX-R1100K ; JSIGV73A K2100001~
CAM SHAFT.....C-2	CRANKCASE COVER..B-7	FRAME COVER.....F-11	FUEL TANK.....F-6	OIL PUMP.....B-9	SEAT.....F-9	STEERING STEM...G-4	GSX-R1100L ; JSIGV73A L2100001~
CARBURETOR.....C-4	CRANKSHAFT.....B-10	FRONT BRAKE HOSE...H-6	GEAR SHIFT.....D-5	OPTIONAL.....J-10	SEAT TAIL COVER..F-10	TAIL LAMP.....E-11	
CARBURETOR FITT..C-6	CYLINDER.....B-4	FRONT CALIPERS.....H-5	HANDLE SWI.....H-4	REAR CALIPER.....I-10	SIGNAL GENERATOR..E-5	TRANSMISSION....D-3	
CLUTCH.....D-2	CYLINDER HEAD.....B-3	FRONT DAMPER.....G-2	HANDLEBAR.....H-2	REAR CUSHION LEVER..I-4	SPEEDOMETER.....E-8	TURN SIGNAL LAMP..E-10	

FIG. 57



80

FIG. 57 (J- 7) COWLING (model L 3SH)

REF.NO.	PART NO.	DESCRIPTION	Q'TY	REMARKS
32	94570-04A00	CUSHION, cover	2	
33	08321-21064	LOCK WASHER	2	
34	94470-40C71-3SH	COWLING, under RH (Blue/White)	1	
35	68111-34301-ONE	.EMBLEM, SUZUKI	1	
36	68181-40C10-3ZG	.EMBLEM	1	
37	68185-40C20-3TS	.TAPE, RH	1	
38	94480-40C71-3SH	COWLING, under LH (Blue/White)	1	
39	68181-17000-ONE	.EMBLEM, SUZUKI	1	
40	68181-40C10-3ZG	.EMBLEM	1	
41	68195-40C20-3TS	.TAPE, LH	1	
42	94498-17000-0JW	COWLING, under front (White)	1	
43	09139-05032	SCREW, under upper	6	
44	09161-05017	WASHER	6	
45	94484-32800	NUT	6	
46	09139-06028	SCREW, under lower	2	
47	09160-06056	WASHER	2	
48	09180-06152	SPACER	2	
49	09320-09016	CUSHION	2	
50	94580-17C01	BRACE, under RH	1	
51	94590-17C01	BRACE, under LH	1	
52	94493-06800	BRACE, lower	1	
53	09139-06039	SCREW	4	
54	09161-06021	WASHER	4	
55	94490-06800	BRACE, lower front	1	
56	09139-05025	SCREW	2	
57	08316-26055	NUT	2	
58	09139-06030	SCREW	1	
59-1	68612-48800	LABEL, warning screen	1	
59-2	68612-48810	LABEL, warning screen (French)	1	
60	68613-40C00	LABEL, warning steering	1	
61	68319-40C10	LABEL, warning	1	

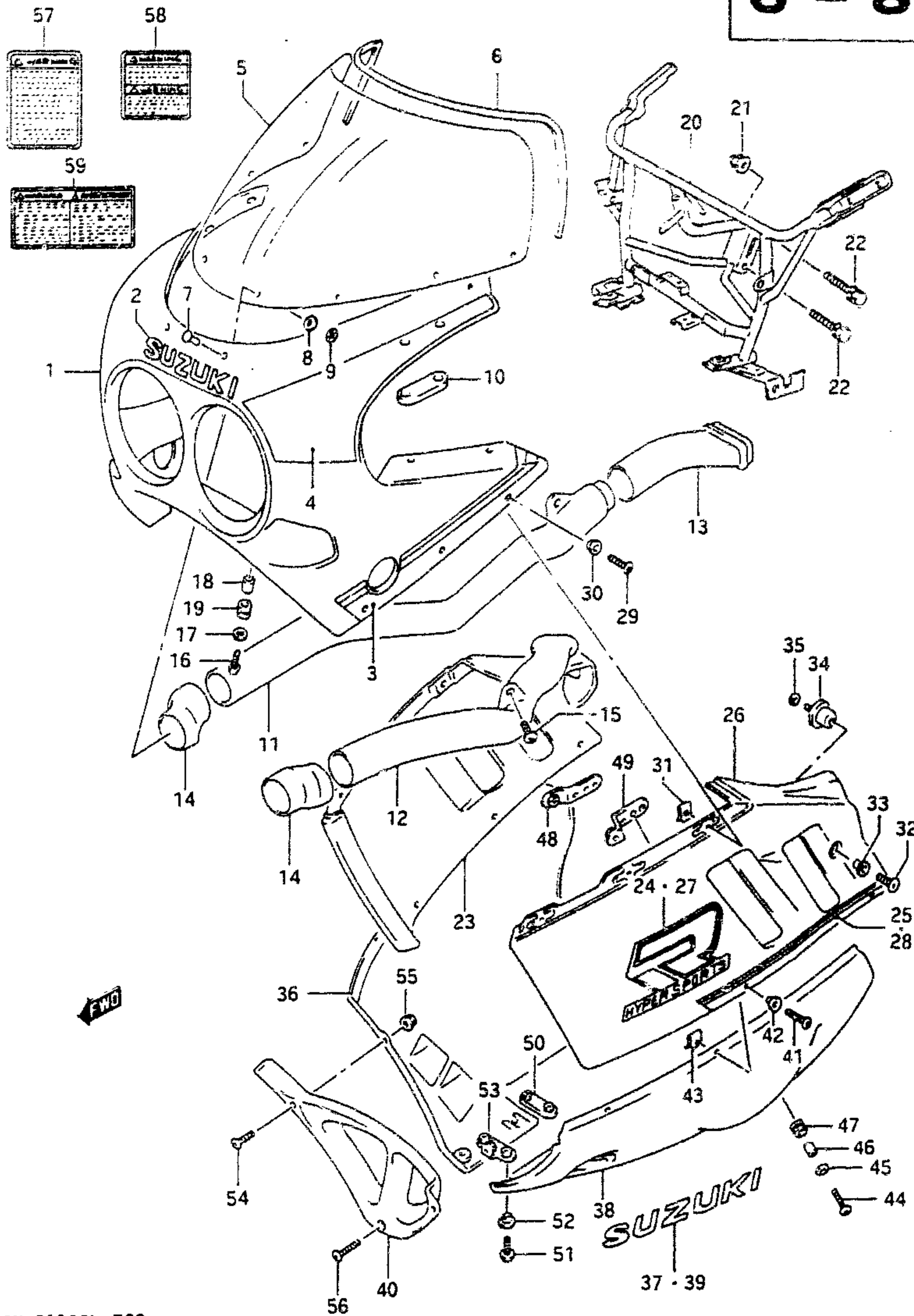
Refer to FIG.58 (J-8) for model L 3CG

GSX-R1100L E28

GSX-R1100L E28

AIR CLEANER.....C-7	CLUTCH HOSE.....H-10	CYLINDER HEAD COVER..B-2	FRONT FENDER.....G-7	HEADLAMP.....E-9	REAR FENDER.....I-6	STAND.....F-3	WIRING HARNESS..E-12
ALTERNATOR.....E-3	CLUTCH MASTER CYL..H-9	ELECTRICAL.....E-7	FRONT MASTER CYL..H-8	MUFFLER.....C-8	REAR MASTER CYL..I-11	STARTER CLUTCH..B-11	
BATTERY.....E-6	COWLING.....J-4	FOOTREST.....F-4	FRONT WHEEL.....G-9	OIL COOLER.....C-9	REAR SWING ARM...I-2	STARTING MOTOR..E-2	SERIAL FRAME NUMBER
CAM CHAIN.....C-3	CRANKCASE.....B-5	FRAME.....F-2	FUEL COCK.....F-8	OIL PAN.....B-8	REAR WHEEL.....I-8	STEERING DAMPER..G-6	GSX-R1100K : JS1GV73A K2100001~
CAM SHAFT.....C-2	CRANKCASE COVER..B-7	FRAME COVER.....F-11	FUEL TANK.....F-6	OIL PUMP.....B-9	SEAT.....F-9	STEERING STEM...G-4	GSX-R1100L : JS1GV73A L2100001~
CARBURETOR.....C-4	CRANKSHAFT.....B-10	FRONT BRAKE HOSE...H-6	GEAR SHIFT.....D-5	OPTIONAL.....J-10	SEAT TAIL COVER..F-10	TAIL LAMP.....E-11	
CARBURETOR FITT..C-6	CYLINDER.....B-4	FRONT CALIPERS.....H-5	HANDLE SWI.....H-4	REAR CALIPER.....I-10	SIGNAL GENERATOR..E-5	TRANSMISSION....D-3	
CLUTCH.....D-2	CYLINDER HEAD.....B-3	FRONT DAMPER.....G-2	HANDLEBAR.....H-2	REAR CUSHION LEVER..I-4	SPEEDOMETER.....E-8	TURN SIGNAL LAMP..E-10	

FIG. 58



J-8

81

FIG. 58 (J- 8) COWLING (model L 3CG)

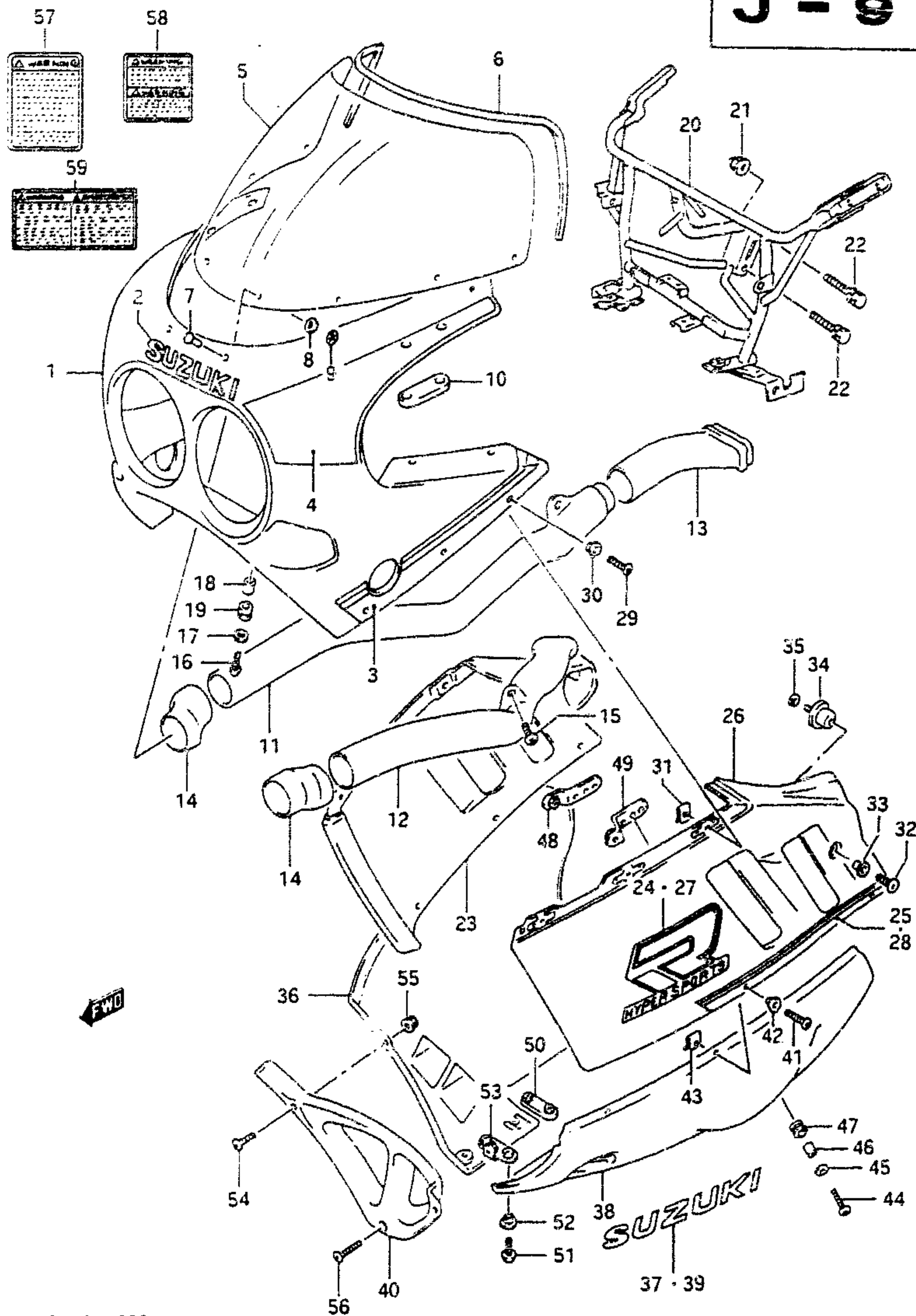
REF. NO.	PART NO.	DESCRIPTION	Q'TY	REMARKS
1	24400-40C91-33J	BODY ASSY, cowling (Black)	1	
2	68185-05C10-742	.EMBLEM	1	
3	68270-40C41-3CG	.TAPE SET, side	1	
4	68280-40C10-17U	.TAPE SET, front	1	
5	94610-40C21	SCREEN SET, wind	1	
6	94631-40C20	.MOLDING	1	
7	94616-40C01	PIN, screen	8	
8	09320-04007	CUSHION	8	
9	09148-04032	NUT	8	
10	94576-12C00	CUSHION, mirror	2	
11	94451-40C00	PIPE, air intake front RH	1	
12	94452-40C00	PIPE, air intake front LH	1	
13	94453-17C00	PIPE, air intake rear RH	1	
14	94454-40C00	JOINT, air intake	2	
15	02142-06205	SCREW	2	
16	09139-06056	SCREW, body front	2	
17	09160-06056	WASHER	2	
18	09180-06152	SPACER	2	
19	09320-09016	CUSHION	2	
20	94510-40C12	BRACE, cowling	1	
21	08313-21085	NUT, upper	1	
22	01137-08355	BOLT	2	
23	94430-40C41-3CG	COVER, side RH (Black/Gray)	1	
24	68681-40C00-3ZJ	.EMBLEM	1	
25	68685-40C30-3CH	.TAPE, RH	1	
26	94440-40C41-3CG	COVER, side LH (Black/Gray)	1	
27	68691-40C00-3ZJ	.EMBLEM	1	
28	68695-40C30-3CH	.TAPE, LH	1	

GSX-R1100L E28

GSX-R1100L E28

AIR CLEANER.....C-7	CLUTCH HOSE.....H-10	CYLINDER HEAD COVER.....B-2	FRONT FENDER.....G-7	HEADLAMP.....E-9	REAR FENDER.....i-6	STAND.....F-3	WIRING HARNESS.....E-12
ALTERNATOR.....E-3	CLUTCH MASTER CYL.....H-9	ELECTRICAL.....E-7	FRONT MASTER CYL.....H-8	MUFFLER.....C-8	REAR MASTER CYL.....i-11	STARTER CLUTCH.....B-11	
BATTERY.....E-6	COWLING.....J-4	FOOTREST.....F-4	FRONT WHEEL.....G-9	OIL COOLER.....C-9	REAR SWING ARM.....i-2	STARTING MOTOR.....E-2	SERIAL FRAME NUMBER
CAM CHAIN.....C-3	CRANKCASE.....B-5	FRAME.....F-2	FUEL COCK.....F-8	OIL PAN.....B-8	REAR WHEEL.....i-8	STEERING DAMPER.....G-6	GSX-R1100K : JSIGV73A K2100001~
CAM SHAFT.....C-2	CRANKCASE COVER.....B-7	FRAME COVER.....F-11	FUEL TANK.....F-6	OIL PUMP.....B-9	SEAT.....F-9	STEERING STEM.....G-4	GSX-R1100L : JSIGV73A L2100001~
CARBURETOR.....C-4	CRANKSHAFT.....B-10	FRONT BRAKE HOSE.....H-6	GEAR SHIFT.....D-5	OPTIONAL.....J-10	SEAT TAIL COVER.....F-10	TAIL LAMP.....E-11	
CARBURETOR FITT.....C-6	CYLINDER.....B-4	FRONT CALIPERS.....H-5	HANDLE SWI.....H-4	REAR CALIPER.....i-10	SIGNAL GENERATOR.....E-5	TRANSMISSION.....D-3	
CLUTCH.....D-2	CYLINDER HEAD.....B-3	FRONT DAMPER.....G-2	HANDLEBAR.....H-2	REAR CUSHION LEVER.....i-4	SPEEDOMETER.....E-8	TURNSIGNAL LAMP.....E-10	

FIG. 58



GSX-R1100L E28

FIG. 58 (J- 9) COWLING (model L 3CG)

REF.NO.	PART NO.	DESCRIPTION	Q'TY	REMARKS
29	09139-05032	SCREW, cover upper	8	
30	09161-05017	WASHER	8	
31	94484-32800	NUT	8	
32	09139-06027	SCREW	2	
33	09161-06021	WASHER	2	
34	94570-04A00	CUSHION, cover	2	
35	08321-21064	LOCK WASHER	2	
36	94470-41C01-3CH	COWLING, under RH (Black/Silver)	1	
37	68111-34301-742	EMBLEM	1	
38	94480-41C01-3CH	COWLING, under LH (Black/Silver)	1	
39	68181-17D00-742	EMBLEM	1	
40	94498-17D00-33J	COWLING, under front (Black)	1	
41	09139-05032	SCREW, under upper	6	
42	09161-05017	WASHER	6	
43	94484-32800	NUT	6	
44	09139-06028	SCREW, under lower	2	
45	09160-06056	WASHER	2	
46	09180-06152	SPACER	2	
47	09320-09016	CUSHION	2	
48	94580-17C01	BRACE, under RH	1	
49	94590-17C01	BRACE, under LH	1	
50	94493-06B00	BRACE, lower	1	
51	09139-06039	SCREW	4	
52	09161-06021	WASHER	4	
53	94490-06B00	BRACE, lower front	1	
54	09139-05025	SCREW	2	
55	08316-26055	NUT	2	
56	09139-06030	SCREW	1	
57-1	68612-48B00	LABEL, warning screen	1	
57 2	68612-48B10	LABEL, warning screen (French)	1	
58	68613-40C00	LABEL, warning steering	1	
59	68319-40C10	LABEL, warning	1	

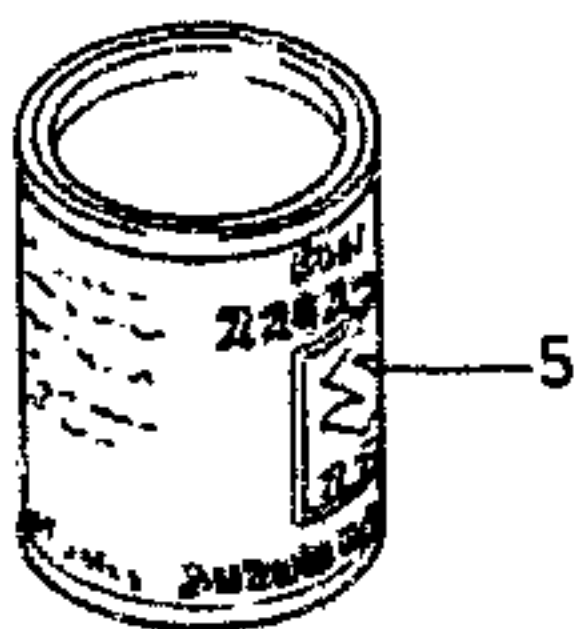
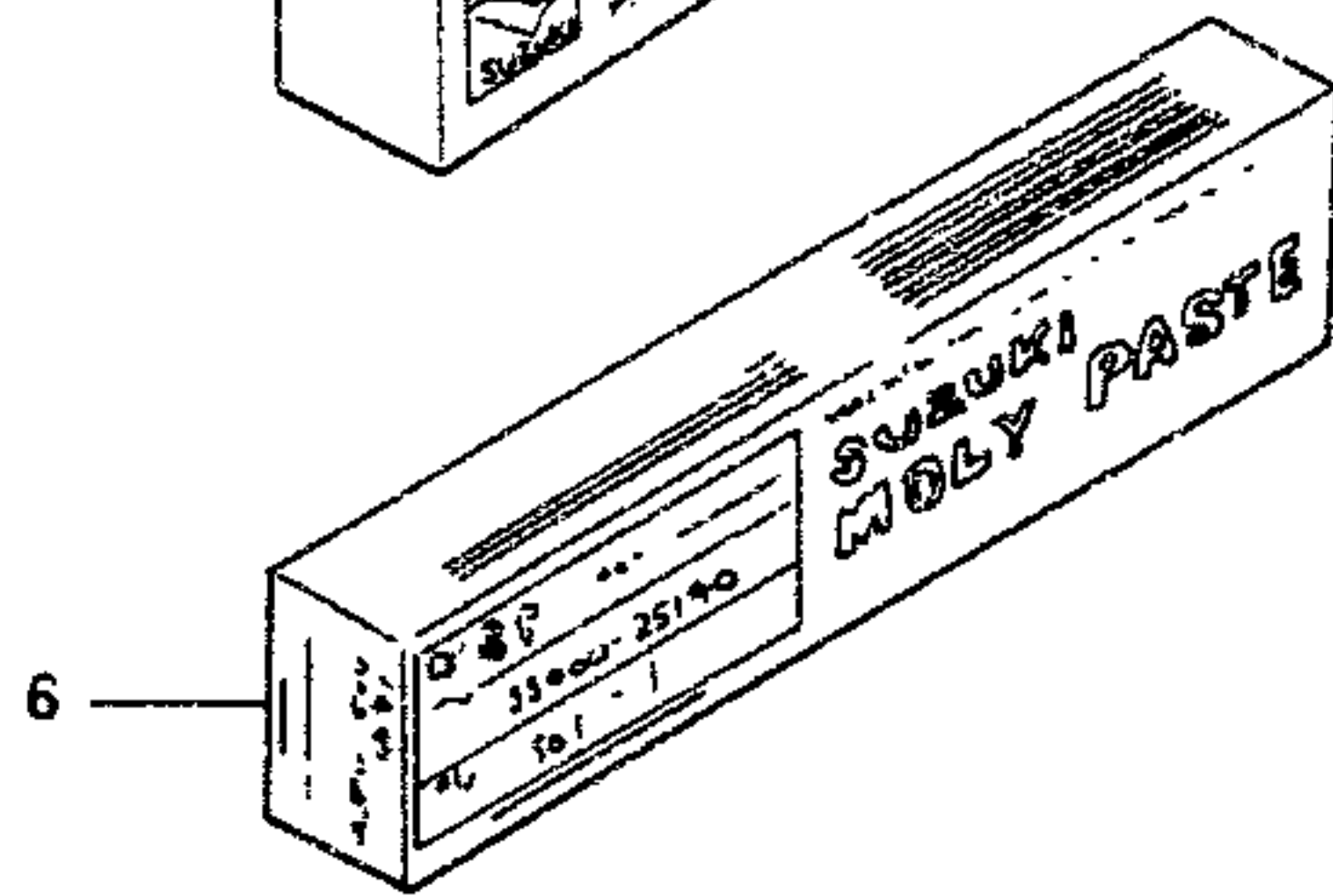
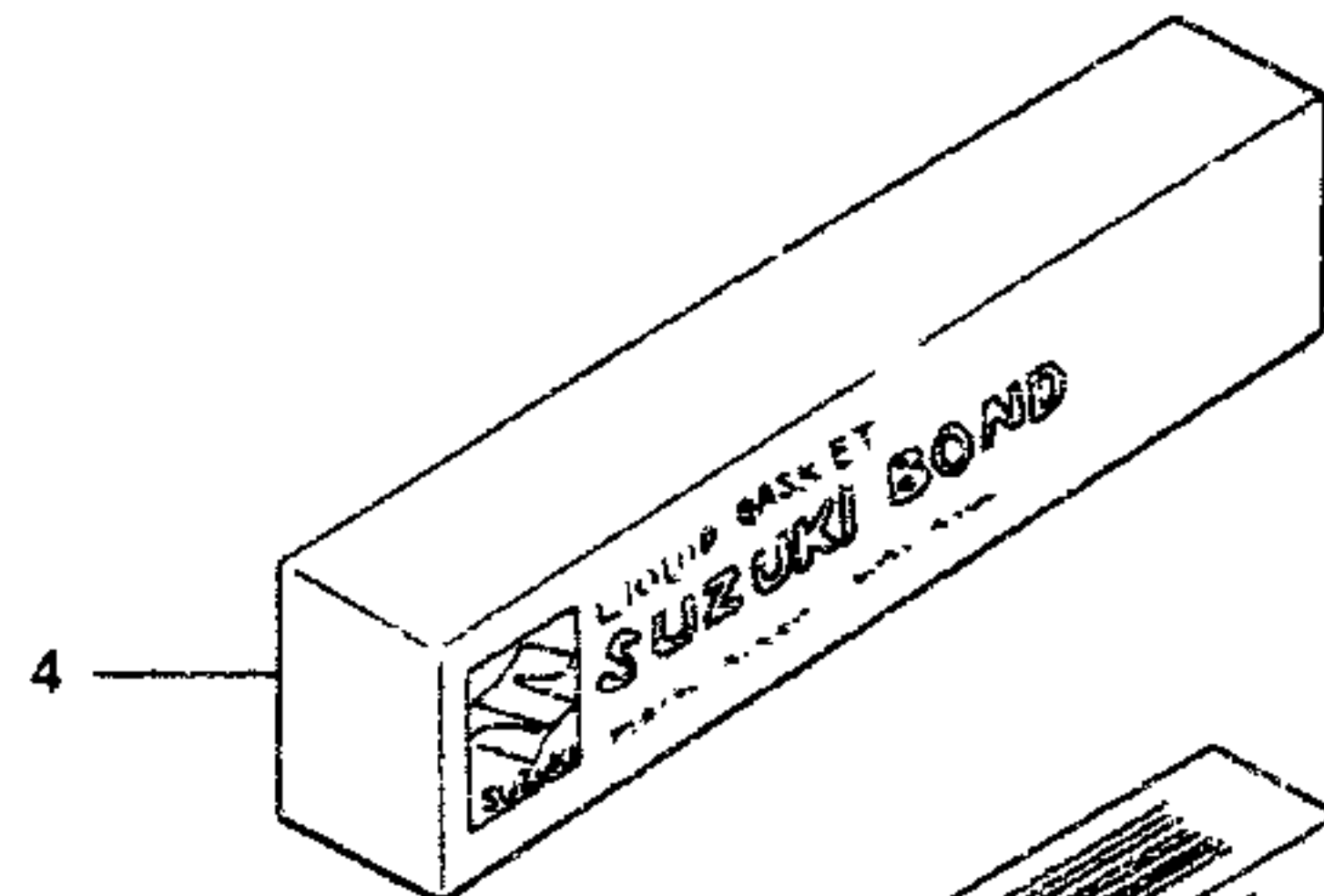
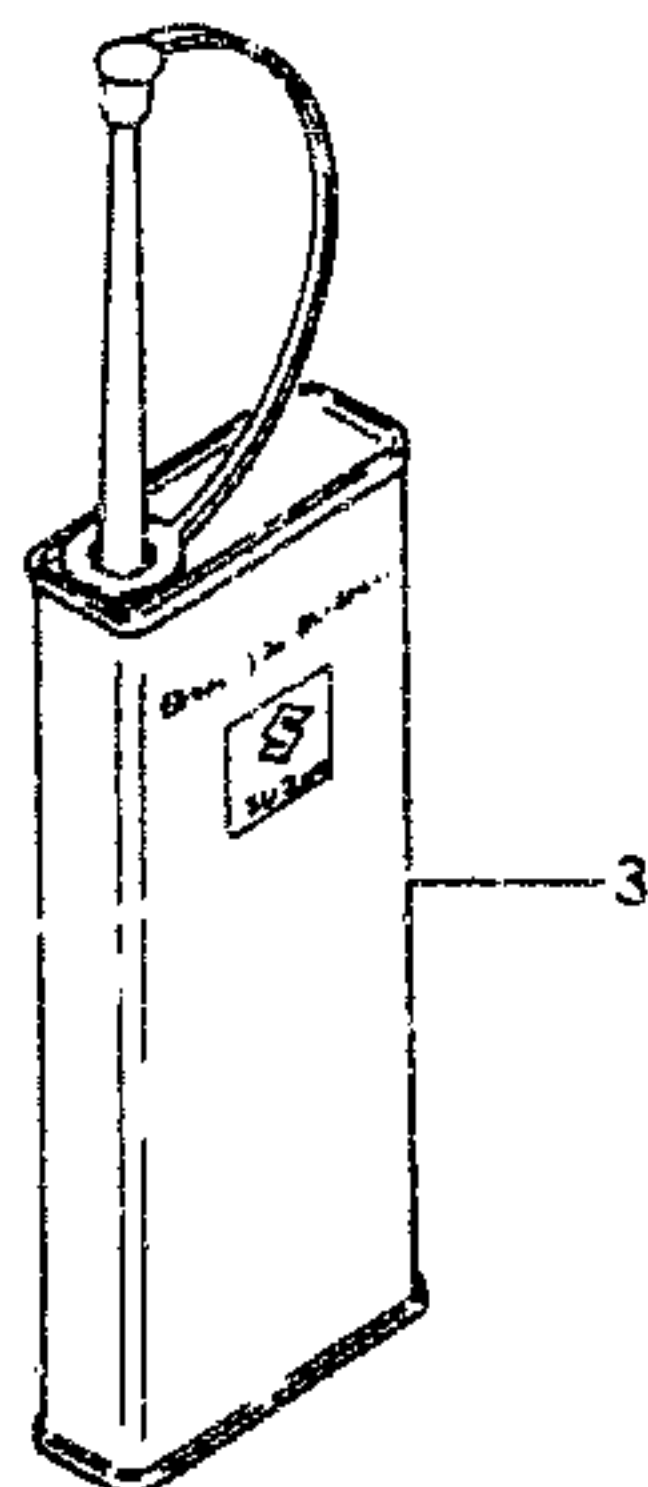
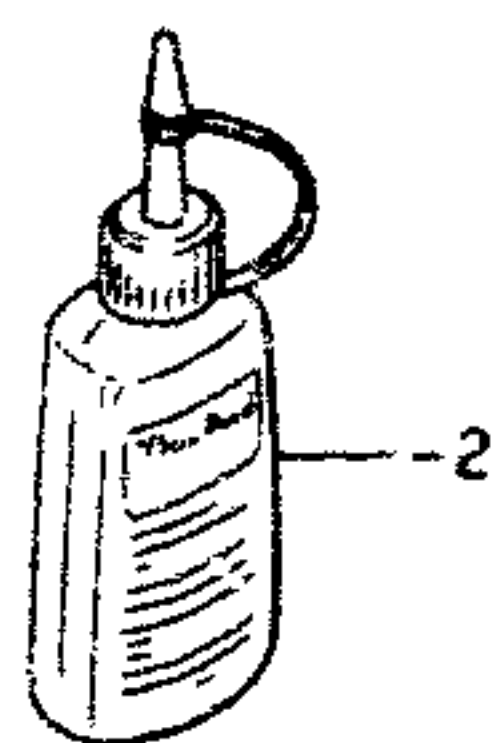
GSX-R1100L E28

AIR CLEANER.....C-7	CLUTCH HOSE.....H-10	CYLINDER HEAD COVER..B-2	FRONT FENDER.....G-7	HEADLAMP.....E-9	REAR FENDER.....I-6	STAND.....F-3	WIRING HARNESS..E-12
ALTERNATOR.....E-3	CLUTCH MASTER CYL..H-9	ELECTRICAL.....E-7	FRONT MASTER CYL..H-8	MUFFLER.....C-8	REAR MASTER CYL..I-11	STARTER CLUTCH..B-11	
BATTERY.....E-6	COWLING.....J-4	FOOTREST.....F-4	FRONT WHEEL.....G-9	OIL COOLER.....C-9	REAR SWING ARM...I-2	STARTING MOTOR..E-2	SERIAL FRAME NUMBER
CAM CHAIN.....C-3	CRANKCASE.....E-5	FRAME.....F-2	FUEL COCK.....F-8	OIL PAN.....B-8	REAR WHEEL.....I-8	STEERING DAMPER..G-6	GSX-R1100K : JS1GV73A K2100001~
CAM SHAFT.....C-2	CRANKCASE COVER...B-7	FRAME COVER.....F-11	FUEL TANK.....F-6	OIL PUMP.....B-9	SEAT.....F-9	STEERING STEM...G-4	GSX-R1100L : JS1GV73A L2100001~
CARBURETOR.....C-4	CRANKSHAFT.....B-10	FRONT BRAKE HOSE..H-6	GEAR SHIFT.....D-5	OPTIONAL.....J-10	SEAT TAIL COVER..F-10	TAIL LAMP.....E-11	
CARBURETOR FITT..C-6	CYLINDER.....B-4	FRONT CALIPERS....H-5	HANDLE SWI.....H-4	REAR CALIPER.....I-10	SIGNAL GENERATOR..E-5	TRANSMISSION....D-3	
CLUTCH.....D-2	CYLINDER HEAD....B-3	FRONT DAMPER.....G-2	HANDLEBAR.....H-2	REAR CUSHION LEVER..I-4	SPEEDOMETER.....E-8	TURN SIGNAL LAMP..E-10	

FIG.59

J - 10

FIG.59 (J-10) OPTIONAL



REF.NO.	PART NO.	DESCRIPTION	Q'TY	REMARKS
1	99000-25110	SUZUKI P&C GREASE	1 20g	
2-1	99104-32020	THREAD LOCK SUPER (1333)	1 50g	
2-2	99104-32030	THREAD LOCK SUPER (1363A)	1 50g	
2-3	99000-32050	THREAD LOCK SUPER (1342)	1 50g	
2-4	99000-32100	THREAD LOCK SUPER (1305)	1 50g	
2-5	99000-32130	THREAD LOCK SUPER (1360)	1 50g	
3	99000-32040	THREAD LOCK CEMENT	1 200g	
4	99000-31140	SUZUKI BOND (1207B)	1 100g	
5	99000-25030	SUZUKI SUPER GREASE	1 150g	
6	99000-25140	SUZUKI MOLY PASTE	1 50g	

GSX-R1100L E28

GSX-R1100L E28

AIR CLEANER.....C-7	CLUTCH HOSE.....H-10	CYLINDER HEAD COVER..B-2	FRONT FENDER.....G-7	HEADLAMP.....E-9	REAR FENDER.....I-6	STAND.....F-3	WIRING HARNESS..E-12
ALTERNATOR.....E-3	CLUTCH MASTER CYL..H-9	ELECTRICAL.....E-7	FRONT MASTER CYL..H-8	MUFFLER.....C-8	REAR MASTER CYL..I-11	STARTER CLUTCH..B-11	
BATTERY.....E-6	COWLING.....J-4	FOOTREST.....F-4	FRONT WHEEL.....G-9	OIL COOLER.....C-9	REAR SWING ARM...I-2	STARTING MOTOR..E-2	SERIAL FRAME NUMBER
CAM CHAIN.....C-3	CRANKCASE.....B-5	FRAME.....F-2	FUEL COCK.....F-8	OIL PAN.....B-8	REAR WHEEL.....I-8	STEERING DAMPER..G-6	GSX-R1100K : JS1GV73A K2100001~
CAM SHAFT.....C-2	CRANKCASE COVER..B-7	FRAME COVER.....F-11	FUEL TANK.....F-6	OIL PUMP.....B-9	SEAT.....F-9	STEERING STEM...G-4	GSX-R1100L : JS1GV73A L2100001~
CARBURETOR.....C-4	CRANKSHAFT.....B-10	FRONT BRAKE HOSE...H-6	GEAR SHIFT.....D-5	OPTIONAL.....J-10	SEAT TAIL COVER..F-10	TAIL LAMP.....E-11	
CARBURETOR FITT..C-6	CYLINDER.....B-4	FRONT CALIPERS.....H-5	HANDLE SWI.....H-4	REAR CALIPER.....I-10	SIGNAL GENERATOR..E-5	TRANSMISSION....D-3	
CLUTCH.....D-2	CYLINDER HEAD.....B-3	FRONT DAMPER.....G-2	HANDLEBAR.....H-2	REAR CUSHION LEVER..I-4	SPEEDOMETER.....E-8	URNSIGNAL LAMP..E-10	

M - 1

PART NO.	ADDRESS NO.	PART NO.	ADDRESS NO.	PART NO.	ADDRESS NO.	PART NO.	ADDRESS NO.	PART NO.	ADDRESS NO.	PART NO.	ADDRESS NO.
10000		12111-48B04-100	B-10	12911-06B02	C-2	13427-38300	C-5	13848-17C00	C-7	21200-40811	D-2
		12140-48B20	B-10	12912-06B00	C-2	13432-17C00	C-6	13854-40C00	C-7	21200-40812	D-2
		12140-48B20-050	B-10	12920-06B00	C-2	13439-17C00	C-6	13870-11417	C-7	21231-06B00	E-4
		12140-48B20-100	B-10	12931-27A01	C-2	13501-17C00	C-4	13880-17C00	C-7	21400-40C00	D-2
		12151-05A00	B-10	12932-27A00	C-2	13502-17C00	C-5	13890-17C00	C-7	21410-40C01	D-2
		12160-40C01	B-10	12933-27A00	C-2	13507-17C00	C-4	13897-17C00	C-7	21441-48B00	D-2
		12160-40C02	B-10	12934-27A00	C-2	13508-17C00	C-5	13899-17C00	C-7	21451-48B00	D-2
		12164-48B00-0A0	B-10	12935-27A00	C-2	13509-17C00	C-4	14100-40C01-H01	C-8	21462-40C02	D-2
		12164-48B00-0B0	B-10	13110-40C00	B-3	13550-17C00	C-4	14100-40C03-H01	C-8	21463-40C01	D-2
		12164-48B00-0C0	B-10	13115-27A01	B-3	13550-17C10	C-4	14181-40C00	C-8	21471-40C01	D-2
	12164-48B00-0D0	B-10	13120-40C00	B-3	13550-17C20	C-5	14310-40C01	C-8	21611-40C01	D-2	
	12220-40C00	B-10	13130-40C00	B-3	13550-17C30	C-4	14310-40C50	C-8	21623-40C00	D-2	
	12228-48B00-0C0	B-10	13140-40C00	B-3	13551-17C00	C-4	14340-40C01	C-8	22721-06B02	D-2	
	12228-48B00-0E0	B-10	13201-40C00	C-4	13553-17C00	C-4	14340-40C50	C-8	22730-06B03	E-4	
	12228-48B00-0H0	B-10	13202-40C00	C-4	13553-44B00	C-4	14761-40C00	C-8	22733-27A03	E-4	
	12229-06B00-0A0	B-10	13203-40C00	C-4	13556-44B00	C-4	14770-40C01	C-8	22733-27A04	E-4	
	12229-06B00-0B0	B-10	13204-40C00	C-4	13557-05A10	C-6	14770-40C10	C-8	23110-27A00	D-2	
	12229-06B00-0C0	B-10	13247-38B00	C-5	13557-47070	C-4	14771-44B00	C-8	23111-05A01	D-2	
	12229-06B00-0D0	B-10	13250-17C00	C-5	13573-17C00	C-4	16331-06B01-0B1	B-9	23111-44111	D-2	
	12229-06B10-0A0	B-10	13258-44B00	C-4	13573-17C10	C-4	16400-06B10	B-9	23117-27A03	D-2	
	12229-06B10-0B0	B-10	13267-28A00	C-5	13574-28A00	C-5	16440-17C00	B-8	23121-07A00	D-2	
	12229-06B10-0C0	B-10	13267-44B00	C-4	13602-05128	C-5	16442-34301	B-8	23160-06B01	D-2	
	12229-06B10-0D0	B-10	13268-17C10	C-5	13602-34390	C-5	16460-40C00	C-9	23163-06B00	D-2	
	12600-48E11	B-11	13268-43410	C-5	13604-42A00	C-4	16460-40C01	C-9	23164-05A00	D-2	
	12611-06B00	B-11	13268-47070	C-5	13606-02340	C-6	16470-40C00	C-9	24121-40C02	D-3	
	12711-06B03	C-2	13271-44B00	C-5	13628-17C00	C-6	16470-40C01	C-9	24131-40C10	D-3	
	12721-17C00	C-2	13279-47070	C-5	13628-17C10	C-6	16481-48B01	B-9	24131-48B00	D-3	
	12741-06B00	C-2	13291-29900	C-5	13628-17C10	C-6	16491-27A01	B-9	24221-40C00	D-3	
	12760-40C00	C-3	13295-29900	C-5	13671-33600	C-5	16510-06B00	B-9	24231-48B01	D-3	
	12771-06B01	C-3	13374-44080	C-5	13673-44E00	C-6	16520-17C00	B-8	24241-48B00	D-3	
	12780-40C00	C-3	13374-46710	C-5	13683-17C30	C-6	16525-17C00	B-8	24251-48B02	D-3	
	12788-48B01	C-3	13382-42A00	C-4	13684-17C00	C-6	16528-27A02	B-8	24252-48B00	D-3	
	12788-48B11	C-3	13383-40C00	C-4	13684-17C10	C-6	16529-27A01	B-8	24311-48B00	D-3	
	12791-06B01	C-3	13387-47010	C-4	13685-44B00	C-6	16530-17C00	B-9	24321-48B00	D-3	
	12810-40C00	C-3	13394-10010	C-4	13687-17C00	C-5	16540-27A01	B-9	24331-48B02	D-4	
	12814-34200	C-3	13410-17C00	C-6	13720-17C00	C-7	16591-06B00	B-6	24331-48B03	D-4	
	12830-48B02	C-3	13411-05320	C-5	13760-17C00	C-7	16600-40C02	C-9	24332-48B00	D-4	
	12832-27A00	C-3	13413-17C00	C-6	13760-17C01	C-7	16600-40C03	C-9	24341-06B01	D-4	
	12833-06B00	C-3	13415-38300	C-6	13780-17C00	C-7	16628-27A00	C-9	24351-48B01	D-4	
	12834-27A00	C-3	13417-09110	C-5	13824-48B10	C-7	16629-27A01	C-9	24741-27A00	D-3	
	12837-27A00	C-3	13417-09210	C-6	13842-17C10	C-7			24751-27A01	D-4	
	12840-27A00	C-2	13417-42A00	C-4	13843-17C10	C-7			25211-06B01	D-5	
	12842-49210	C-2	13418-17C00	C-5	13844-17C10	C-7			25221-06B00	D-5	
	12843-04A00	C-2	13418-17C10	C-5	13845-17C10	C-7			25231-06B00	D-5	
	12861-27A00	C-2	13421-17C00	C-6	13846-17C10	C-7			25310-06B02	D-5	
								20000			

M - 2

PART NO.	ADDRESS NO.	PART NO.	ADDRESS NO.	PART NO.	ADDRESS NO.	PART NO.	ADDRESS NO.	PART NO.	ADDRESS NO.	PART NO.	ADDRESS NO.
25322-31301	D-5	31611-48B00	E-3	34170-40C20	E-8	35910-17C00	E-11	41540-40C00	E-6	43815-17C11	F-11
25323-34201	D-5	31612-06B00	E-3	34189-04A30	E-8	35912-38A30	E-11	41550-49200	F-2		F-12
25324-34201	D-5	31612-48B00	E-3	34189-17C00	E-8	35913-38A30	E-11	41684-40C00	G-6	43980-17C10	F-2
25331-31301	D-5	31613-27A00	E-3	34210-40C20	E-8	35915-17C00	E-11	41911-40C00	F-2	43980-40C40	F-2
25341-27A00	D-5	31613-27A10	E-3	34210-40C60	E-8	35927-00A10	E-11	41921-17C02	F-2	44100-40C00-9SR	F-6
25350-27A00	D-5	31613-48B00	E-3	34716-32C00	E-8	35950-40C00	E-9	41940-40C01	F-2	44100-40C10-3EE	F-6
25353-27A00	D-5	31614-48B00	E-3	34718-32C00	E-8	35956-17D00	E-9	41950-40C01	F-2	44151-17C00	F-6
25381-38400	D-5	31615-17C00	E-3	34810-40C00	F-8	35956-40C01	E-9	42100-17C00	F-3		F-7
25411-27A00	D-5	31621-27A00	E-3	34825-40C00	F-8	35957-17D00	E-9	42310-40C00	F-3	44191-17C01	F-6
25510-19C00	D-5	31656-48B00	E-3	34910-17C00	E-8	35957-40C01	E-9	42310-40C30	F-3		F-7
25520-19C00	D-6	31687-27A00	E-3	34938-17D00	G-5	35970-00A21	E-11	42330-40C10	F-3	44200-19C20-KEY	F-6
25520-19C01	D-6	31688-06B00	E-3	34938-40C00	G-4	36380-40C20	E-8	42330-40C20	F-3	44201-01851	F-7
25525-17C02	D-6	31688-27A00	E-3	34938-40C50	E-8	36381-40C20	E-8	43110-17C02	F-3	44240-06B10	F-6
25600-17C02	D-6	31692-48B00	E-3	34939-17D00	E-8	36610-40C00	E-12	43110-17C03	F-3		F-7
25652-16500	D-6	31710-48B03	E-3	34939-40C50	E-8	36610-40C50	E-12	43130-24A00	G-9	44300-17C00	F-8
25671-01000	D-5	31776-06B00	E-3	34939-45000	E-8	36611-38A00	E-12		I-8	44300-17C01	F-8
27510-48B00	D-4	31780-48B00	E-3	34950-40C20	E-8	36721-17C00	E-12		I-9	44305-17C00	F-8
27600-40C20-114	D-4	31800-49100	E-7	35100-40C30-999	E-9	36740-17C00	E-12	43213-17C01	F-4	44306-17C00	F-8
27600-40C20-118	D-4	31861-19C00	E-7	35121-17C30	E-9	36740-17D00	E-12	43214-17C01	F-4	44395-17C00	F-8
		32500-27A00	E-3	35127-04A00	E-9	36750-05A00	E-12	43251-17C00	E-13	44511-17C00	F-6
		32900-40C00	E-5	35151-05C00	E-9	36856-17D00	E-12	43251-17C01	E-13		F-7
		32980-40C00	E-5	35152-05C00	E-9	36856-40C00	E-12	43261-17C00	F-3	44545-40C00	F-6
		33110-17C00	E-5	35153-05C00	E-9	37100-17C00	E-12	43510-17C03	F-4		F-7
		33120-19C00	E-5	35157-32B00	E-9	37146-03A80	E-13	43511-17D00	F-4	45100-40C00-5NN	F-9
		33410-40C00	E-7	35162-04A00	E-9	37200-17C30	H-4	43511-40C00	F-4	45100-40C00-5YN	F-9
		33420-17C00	E-7	35167-05C00	E-9	37400-17C10	H-4	43521-40C00	F-4	45100-40C00-58R	F-9
		33510-20C01	E-7	35173-06B50	E-9	37720-48B00	D-6	43522-17C02	F-4	45123-17C00	F-9
		33510-20C02	E-7	35173-20A01	E-9	37740-04A10	E-13	43522-17D00	F-4	45149-04A00	F-11
		33541-20C00	E-7	35240-05C02	E-9	37820-33200	B-6	43529-17C10	F-4		F-12
		33542-38B00	E-7	35242-40C00	E-9	37840-17C01	E-13	43529-40C00	F-4	45220-17C00	F-9
		33543-48B00	E-7	35321-17C30	E-9	38500-40C00	E-13	43530-40C00	F-4	45271-40C00	F-9
		33610-49210	E-6	35601-17C21	E-10	38610-31310	E-10	43541-40C00	F-4	45272-17C01	F-9
		33624-27A00	E-12	35601-17C41	E-10	38640-17C00	E-9	43550-40C10	F-5	45288-40C10	F-9
		33651-37000	E-6	35612-17C20	E-10	38740-24B10	E-13	43550-40C11	F-4	45300-40C00-5NN	F-9
		33652-29100	E-6	35613-27A00	E-10				F-4	45300-40C00-5YN	F-9
		33680-14A00	E-6	35623-27A00	E-10			43561-17C01	F-3	45300-40C00-58R	F-9
		33850-40C00	E-7	35627-27A02	E-10			43563-17C00	F-3	45326-17C00	F-11
		33860-40C00	E-6	35674-27A01	E-10			43563-17C01	F-3		F-12
		33860-40C01	E-6	35695-17C00	E-10			43586-40C00	F-4	45500-17C20-28V	F-10
		33885-27A01	D-6	35710-17C00	E-11			43586-40C01	F-4	45500-17C20-33N	F-10
		34110-40C20	E-8	35718-17C00	E-11	41100-40810	F-2	43600-40C00	F-4	45500-17C21-28V	F-10
		34111-17C00	E-8	35725-40511	E-10	41100-40840	F-2	43610-40C00	F-4	45500-17C21-33N	F-10
		34124-49400	E-8	35730-17C00	E-11	41140-40C00	F-2	43620-40C00	F-4	45500-17840-ONE	F-10
		34131-48B10	E-8	35764-48B20	E-11	41140-40C30	F-2	43642-40C00	F-5	45500-17840-33J	F-10
		34132-17C00	E-8	35766-17C00	E-11	41384-40C00	F-2	43700-40C00	F-4	45510-40C10-28V	F-10

30000

40000

M - 3

PART NO.	ADDRESS NO.	PART NO.	ADDRESS NO.	PART NO.	ADDRESS NO.	PART NO.	ADDRESS NO.	PART NO.	ADDRESS NO.	PART NO.	ADDRESS NO.
45510-40C10-33N	F-10	51146-40C40	G-3	51760-40C01	G-6	56260-40C01	H-2	59122-01A00	D-2	59892-08A00	H-9
45510-40C11-28V	F-10	51147-40C00	G-2	51766-40C00	G-2	56271-40C00	H-2		H-5	59910-40C00	H-10
45510-40C11-33N	F-10		G-3	51766-40C40	G-3	56271-40C10	H-3	59122-18410	I-10		
45510-40C12-0NE	F-10	51148-40300	G-2	51781-40C10	G-6	56274-40C00	H-2	59130-40C00	H-5		
45510-40C12-33J	F-10		G-3	51781-40C40	G-6	56274-40C10	H-3	59143-16700	I-10		
45700-19C00-KEY	F-9	51153-06C00	G-3	51791-40C10	G-6	56275-34400	H-2	59145-17C00	H-5		
45700-19840	F-9	51153-40C00	G-2	53110-17D20-ONE	G-8		H-3		I-10		
46211-17C00	F-9	51156-14200	G-2	53110-17D20-33J	G-8	56500-40C02-22R	H-2	59151-16701	I-10		
46220-17C10-5NN	F-10	51156-49440	G-3	53111-17C01-33J	G-7	56500-40C02-33J	H-2	59210-40C01	G-9		
46220-17C10-5YN	F-10	51158-05A00	G-3	53111-17C01-33N	G-7	56500-40C11-0NE	H-3	59220-40C01	G-9	60000	
46220-17C10-58R	F-10	51158-14200	G-2	53111-17C21-33J	G-7	56500-40C11-33J	H-3	59240-40C00	H-6	61000-40C00	I-2
46238-17C10	F-9	51162-70040	I-11	53111-17C21-33N	G-7	56600-40C02-22R	H-2	59240-40C20	H-7	61000-40C10	I-3
47110-40C30-2FF	F-11		I-12	53114-17C01	G-7	56600-40C02-33J	H-2	59300-40C00	H-5	61165-27A30	F-3
47110-40C50-3EE	F-11	51167-40C00	G-2	53145-17C10	G-7	56600-40C11-0NE	H-3	59300-40C01	H-5	61211-17C00	I-2
47110-40C61-3SH	F-12	51167-40C40	G-3	53210-17C00	G-7	56600-40C11-33J	H-3	59315-17C00	H-5	61211-40C00	I-3
47110-40C71-3CH	F-12	51171-40C00	G-2	54111-17C00-0FR	G-9	56619-17C00	H-2	59345-00B20	H-5	61213-40C30	I-3
47210-40C30-2FF	F-11	51171-40C40	G-3	54111-17C00-12R	G-9		H-3	59345-33C00	H-5	61214-40C30	I-3
47210-40C50-3EE	F-11	51173-40C00	G-2	54111-17C00-28W	G-9	57110-49501	H-4	59371-33410	I-10	61251-17C00	I-2
47210-40C61-3SH	F-12	51173-40C40	G-3	54600-17C00	G-9	57211-49500	H-4	59440-40C20	H-7		I-3
47210-40C71-3CH	F-12	51176-40C40	G-3	54711-17C00	G-9	57420-32C00	H-4	59480-40C00	H-6	61262-17C00	I-2
47410-17C00	E-7	51192-40C00	G-2	54711-17D00	G-9	57430-40C00	H-4	59480-40C10	H-7		I-3
49100-40C20-3SH	F-7	51195-40C00	G-2	54740-17C00	G-9	57431-05A00	H-4	59491-40C00	H-6	61273-17C01	I-2
49100-40C71-3CG	F-7	51311-40C00	G-4	55110-17C20	G-9	57431-17C00	H-4	59491-40C01	H-7	61273-40C00	I-3
		51311-40C40	G-5	55110-40C20	G-9	57437-32C00	H-4	59600-40C00	H-8	61282-17C00	I-2
		51351-40C00	G-2	55411-00A00	G-9	57438-32C00	H-4	59600-40C01	H-8		I-3
		51351-40C40	G-3		I-8	57460-17C00	H-4	59600-45850	H-8	61411-40C00	I-8
		51352-13A60	G-2		I-9	57465-17C00	H-4	59664-05C00	H-9		I-9
		51353-28A10	G-3	55412-00A00	G-9	57465-18601	H-4	59664-48B00	H-8	61415-40C00	I-8
50000			G-4		I-8	57481-33010	H-4	59666-44300	H-9		I-9
			G-5		I-9	57560-08A00	H-4	59667-04700	I-11	62100-40C00	I-4
51103-40C00	G-2	51356-24B01	G-4	55413-00A00	G-9	57620-40C00	H-4		I-12	62100-40C20	I-5
51103-40C40	G-3		G-5		I-8	58300-17C01	H-2	59667-49460	H-8	62175-00B00	I-4
51104-40C00	G-2	51410-40C00	G-4		I-9		H-3		H-9	62175-14420	I-4
51104-40C40	G-3	51410-40C40	G-5	56110-40C10	H-2	59100-17830	H-5	59669-24A00	H-8	62177-27A20	I-4
51110-40C00	G-2	51451-27A40	G-4	56111-40C20	H-3	59100-40C00	H-5		H-9	62226-27A20	I-4
51110-40C40	G-3		G-5	56150-40C10	H-2	59100-40C01	H-5	59669-24A01	H-8	62277-14400	I-4
51117-14200	G-2	51580-17D10	G-3	56151-40C20	H-3	59107-13A00	H-5		H-9	62311-08300	I-4
51117-28C00	G-3	51590-17D10	G-3	56190-40C10	H-3	59107-17C00	H-5	59671-19B00	H-8		I-5
51120-40C40	G-3	51631-28000	G-4	56200-40B10	H-2	59107-18410	I-10		H-9	62317-17C00	I-2
51121-28C00	G-3		G-5	56200-40B11	H-3	59108-13A00	H-5	59675-17C00	H-8		I-4
51121-40C00	G-2	51740-40C00	G-4	56231-40C01	H-2	59108-16700	I-10		H-9		I-5
51130-40C00	G-2	51740-40C10	G-5	56231-40C10	H-3	59108-17C00	H-5	59800-08810	H-9	62317-40C10	I-3
51130-40C40	G-3	51750-40C00	G-6	56240-40C01	H-2	59121-01A00	D-2	59800-40C10	H-9		I-5
51140-40C00	G-2	51750-40C02	G-6	56240-40C10	H-3		H-5	59800-40C11	H-9	62331-06B00	I-4
51146-40C00	G-2	51750-40C20	G-6	56243-40C10	H-3	59121-18410	I-10	59871-08A00	H-9	62331-07D00	I-5

M - 4

PART NO.	ADDRESS NO.	PART NO.	ADDRESS NO.	PART NO.	ADDRESS NO.	PART NO.	ADDRESS NO.	PART NO.	ADDRESS NO.	PART NO.	ADDRESS NO.
62600-17830	I-4			68191-06800-2GR	J-3	69211-17C00	I-8	94400-40C01-9SR	J-2	94480-41C01-3CH	J-9
62600-40830	I-5	64733-48B00	I-8	68195-40C00-0GC	J-5		I-9	94400-40C02-9SR	J-2	94484-32B00	I-6
62621-17C00	J-4			68195-40C20-3TS	J-7	69412-27A00	I-8	94400-40C61-3EE	J-4		I-7
	I-5	64740-48B00	I-8	68241-27A00	F-6		I-9	94400-40C62-33J	J-4		J-3
62641-17C00	I-4				F-7	69480-40C00	I-11	94400-40C71-0JW	J-6		J-5
62641-40C10	I-5	64751-40C00	I-8	68270-32C40-3BK	J-6	69480-40C10	I-12	94400-40C91-33J	J-8		J-6
62647-04A00	I-10			68270-40C00-39K	J-2	69600-16820	I-11	94430-40C00-9SR	J-2		J-7
62657-34A01	I-4	65110-17C30	I-8	68270-40C10-742	J-4		I-12	94430-40C01-9SR	J-2		J-9
62658-17C00	I-4	65110-40C20	I-9	68270-40C11-8SH	J-4	69600-17C00	I-11	94430-40C10-3EE	J-4	94490-06B00	J-3
62658-40C10	I-5	68111-06B00-2GS	F-6	68270-40C30-3TU	J-6	69600-17C01	I-12	94430-40C11-3EE	J-4		J-5
62683-43400	I-4	68111-12C00-742	F-7	68270-40C41-3CG	J-8	69669-24A00	I-11	94430-40C41-3CG	J-8		J-7
62684-40A10	I-5	68111-34301-0NE	J-7	68280-40C00-3TU	J-6	69669-24A01	I-12	94430-40C61-3SH	J-6		J-9
62684-43401	I-4	68111-34301-742	J-9	68280-40C10-17U	J-8	69670-48B00	I-11	94440-40C00-9SR	J-2	94493-06B00	J-3
63110-17C00	I-6	68111-40C00-2YL	F-6	68319-40C10	J-7		I-12	94440-40C01-9SR	J-2		J-5
63110-40C00	I-7	68111-43400-0NE	F-7		J-9	69672-05A00	I-11	94440-40C10-3EE	J-4		J-7
63112-17C00	I-6	68112-43400-22R	J-2	68612-48B00	J-3		I-12	94440-40C11-3EE	J-4		J-9
63112-40C00	I-7	68115-17D11-3CG	F-7		J-5	69686-34200	I-11	94440-40C41-3CG	J-8	94498-17C00-22R	J-3
63113-40C00	I-6	68115-40C00-39K	F-6		J-7		I-12	94440-40C61-3SH	J-6	94498-17C00-33J	J-5
	I-7	68115-40C10-0GC	F-6		J-9	69689-04A00	I-11	94451-40C00	J-2	94498-17C01	J-3
63114-17C00	I-6	68115-40C30-3SM	F-7	68612-48B10	J-3		I-12		J-4		J-5
	I-7	68131-40C10-2GZ	F-11		J-5	69689-49300	H-8		J-6	94498-17D00-0JW	J-7
63411-42A00	I-6	68131-40C40-2RM	F-12		J-7		H-9		J-8	94498-17D00-33J	J-9
	I-7	68131-40C40-3YZ	F-12		J-9	69691-00A00	I-11	94452-40C00	J-2	94510-40C02	J-2
64111-07D00-12R	I-9	68135-17C10-22R	F-11	68613-40C00	J-3		I-12		J-4		J-4
64111-07D00-28W	I-9	68135-17D00-3CH	F-12		J-5	69692-27A30	I-11		J-6	94510-40C12	J-6
64111-40C00-0FR	I-8	68135-40C00-0GC	F-11		J-7		I-12		J-8		J-8
64111-40C00-28W	I-8	68135-40C30-31S	F-12		J-9	69693-05A00	I-11	94453-17C00	J-2	94570-04A00	J-3
64300-40810	I-2	68141-40C10-2GZ	F-11	68680-40C00-0GC	J-4		I-12		J-4		J-5
64300-40820	I-3	68145-17C10-22R	F-11	68681-17C00-742	J-4	69720-17C00	I-8		J-6		J-7
64336-20A00	I-2	68145-17D00-3CH	F-12	68681-40C00-3ZJ	J-8		I-9		J-8		J-9
	I-3	68145-40C00-0GC	F-11	68685-40C00-39K	J-2	69731-17C10	I-11	94454-40C00	J-2	94576-12C00	J-2
64339-40410	G-6	68145-40C30-3TS	F-12	68685-40C20-3TS	J-6		I-12		J-4		J-4
	I-2	68166-04700-0JW	F-10	68685-40C30-3CH	J-8	69732-17C01	I-11		J-6		J-6
	I-3	68166-04700-22R	F-10	68690-40C00-0GC	J-4		I-12		J-8		J-8
64352-40411	I-2	68166-04700-742	F-10	68691-40C00-3ZJ	J-8	69740-38B20	I-11	94470-40C10-3EE	J-5	94580-17C01	J-3
	I-3	68181-17D00-0NE	J-7	68695-40C00-39K	J-2		I-12	94470-40C11-3EE	J-5		J-5
64511-40C01	I-8	68181-17D00-742	J-9	68695-40C20-3TS	J-6	69751-17C00	I-11	94470-40C50-2GZ	J-3		J-7
	I-9	68181-40C00-8SH	J-5	68695-40C30-3CH	J-8		I-12	94470-40C51-2GZ	J-3		J-9
64611-31003	I-8	68181-40C10-3ZG	J-7	69100-17C00	I-10			94470-40C71-3SH	J-7	94590-17C01	J-3
64611-40C00	I-9	68185-05C10-0NE	J-6	69100-17830	I-10			94470-41C01-3CH	J-9		J-5
64651-31001	I-8	68185-05C10-22R	J-2	69107-17C00	H-5			94480-40C10-3EE	J-5		J-7
	I-9	68185-05C10-742	J-4	69107-34200	I-10			94480-40C11-3EE	J-5		J-9
64711-40C10	I-8		J-8	69130-06B00	I-10			94480-40C50-2GZ	J-3	94610-40C00	J-2
	I-9	68185-40C00-0GC	J-5	69141-45000	I-10			94480-40C51-2GZ	J-3		J-4
64731-40C00	I-8	68185-40C20-3TS	J-7	69142-45000	I-10			94480-40C71-3SH	J-7	94610-40C21	J-6

90000

M - 5

PART NO.	ADDRESS NO.	PART NO.	ADDRESS NO.	PART NO.	ADDRESS NO.	PART NO.	ADDRESS NO.	PART NO.	ADDRESS NO.	PART NO.	ADDRESS NO.
94610-40C21	J-8	01421-06408	B-5	02112-34128	E-8	04211-09129	D-2		I-7		J-7
94616-40C01	J-2	01421-06608	B-5	02112-36165	E-9	04211-09189	B-7	07120-06208	G-6		J-9
	J-4	01517-06105	C-3		E-13	04221-04089	B-10	07120-06258	G-6	08316-26066	E-11
	J-6		I-6	02112-74085	E-8	04221-07129	D-3	07120-06308	B-9	08316-26105	E-10
	J-8		I-7	02112-74125	I-12	04221-07209	D-4	07120-06358	B-9	08316-26106	E-4
94631-40C00	J-2	01517-06108	E-13	02112-75168	F-4	04221-08129	B-2	07120-10305	H-5	08319-21065	H-4
	J-4	01517-06125	E-8	02112-75208	F-4	06111-07004	F-5	07120-10357	C-8	08319-21066	I-7
94631-40C20	J-6	01517-06128	B-3	02112-76128	C-7	06211-04063	D-5	08110-69050	D-5	08319-21068	F-2
	J-8		E-11	02122-06128	D-5	07110-06165	B-4	08123-62047	G-9		I-6
95721-17C02	I-7	01517-06164	E-11	02122-06167	D-3		C-9	08211-10283	E-4	08319-31065	H-4
95721-40C00	F-9		I-2	02122-06255	F-9		H-6	08211-14323	I-4	08319-31067	F-9
	I-7	01517-06205	B-2	02142-05124	F-11		H-7		I-5	08319-31087	G-6
99000-25030	J-10	01517-06254	B-3		F-12	07110-06255	B-7	08211-20341	D-3	08319-31107	I-4
99000-25110	J-10	01517-06258	B-8		I-6		B-8	08211-20381	I-2		I-5
99000-25140	J-10	01517-06307	C-3		I-7		C-3		I-3		I-8
99000-31140	J-10	01517-06354	B-5	02142-05128	E-12		D-2	08211-20382	I-2		I-9
99000-32040	J-10	01517-06404	B-5		F-10	07110-06257	B-8		I-3	08319-31128	B-6
99000-32050	J-10	01517-06408	B-5	02142-05164	C-7	07110-06305	B-7	08211-22341	D-3	08319-31148	I-4
99000-32100	J-10	01517-06505	B-5		E-12	07110-06355	B-7	08211-28361	D-3		I-5
99000-32130	J-10	01517-06557	B-5	02142-06104	I-6	07110-06405	B-5	08221-08126	G-6	08321-21045	I-11
99104-32020	J-10	01517-06605	B-5		I-7		B-7	08221-12205	B-9	08321-21046	E-3
99104-32030	J-10	01517-06705	B-5	02142-06108	E-8	07110-06455	B-7	08310-11045	E-8		E-11
		01517-06805	B-5	02142-06164	I-6		B-8	08310-11058	E-8		F-8
		01517-08128	G-3		I-7	07110-06458	B-8		F-3	08321-21064	J-3
		01517-08205	F-5	02142-06166	C-7	07110-06505	B-5	08310-11067	D-6		J-5
		01517-08207	F-2	02142-06167	I-7		B-7	08310-12085	J-2		J-7
		01517-08254	F-5	02142-06205	F-9	07110-06555	B-7		J-4		J-9
		01517-08304	F-5		J-2	07110-06655	B-5	08310-21086	C-4	08321-21084	J-2
			I-10		J-4		B-7	08310-22055	E-11		J-4
		01517-08408	C-8		J-6	07110-06705	B-7	08310-22088	H-3	08321-31066	E-12
01104-05206	F-3	01517-08605	B-5		J-8	07110-06755	B-7	08310-22107	F-3	08321-31086	C-4
01107-06107	D-4	01517-08905	E-4	02142-06305	F-11	07110-08125	B-2		H-2	08321-31087	F-2
01107-06206	F-10	01517-08908	E-4	02142-16165	F-9	07110-08255	C-8	08310-22127	F-4	08322-11088	F-4
01107-06257	D-6	01517-10305	H-5	02152-06165	B-3	07110-08257	F-2	08313-21085	J-6		I-2
	I-11	01517-10558	B-6	03242-05129	F-10	07110-08305	F-3		J-8		I-3
	I-12	01717-06306	C-2	04111-16158	H-5	07110-08306	E-5	08314-41088	I-2	08322-11128	B-6
01107-08355	J-2	01987-10558	B-6	04111-20158	I-11	07110-08307	H-3		I-3	08322-11188	I-2
	J-4	02112-04086	E-3		I-12	07110-08357	G-6	08316-16055	E-3		I-3
01127-08166	C-8	02112-04124	I-11	04111-20208	I-2	07110-08358	F-3	08316-16064	B-4	08322-21045	I-11
01137-06128	B-8	02112-04126	F-8		I-3	07110-08407	G-6		H-4	08322-21066	F-10
01137-08355	J-2	02112-05107	E-5	04111-25158	F-4	07110-08505	F-9	08316-16088	F-3	08322-21067	I-11
	J-4	02112-05164	E-8	04111-40408	I-8	07110-08555	B-5	08316-16105	C-8		I-12
	J-6	02112-05455	H-4		I-9	07110-08655	B-5	08316-16106	B-3	08331-11289	D-3
	J-8	02112-06106	D-2	04211-09129	B-7	07110-10357	F-2	08316-26055	J-3	08331-31086	D-5
01421-06205	B-4	02112-06556	E-7		B-9	07120-06125	F-9		J-5	08331-31128	B-9

00000

M - 6

PART NO.	ADDRESS NO.	PART NO.	ADDRESS NO.	PART NO.	ADDRESS NO.	PART NO.	ADDRESS NO.	PART NO.	ADDRESS NO.	PART NO.	ADDRESS NO.
08331-31138	I-8		F-7	09139-06039	J-3	09160-06069	F-11	09168-06023	C-3	09180-08157	C-8
	I-9	09116-06111	I-3		J-5	09160-08010	F-2	09168-06024	B-7	09180-20103	G-9
08331-31258	D-5	09118-08080	C-8		J-7	09160-10013	F-2		B-8	09180-25093	D-4
08331-41428	D-5	09118-08131	C-9		J-9	09160-10031	F-5	09168-06026	F-8	09180-25094	D-4
08332-11068	F-5	09119-06072	F-9	09139-06056	J-2	09160-10060	B-3	09168-08008	B-2	09200-06037	I-11
08361-15055	E-9	09119-10027	I-8		J-4	09160-10066	C-8	09168-08021	B-5		I-12
08361-35066	E-2	09119-10060	I-9		J-6	09160-10094	E-10	09168-10002	D-5	09200-08057	F-4
	E-7	09125-03105	H-4		J-8	09160-12020	D-5	09168-10031	B-3	09206-08001	B-3
09100-08240	C-8	09125-06038	E-6	09139-08007	G-7	09160-15015	D-2	09168-12002	B-5	09206-11005	B-5
09100-12060	B-6	09127-06015	H-2		G-8	09160-18022	D-6	09168-12012	F-6		B-7
09103-06026	B-3		H-3	09139-08009	I-11		F-3		F-7	09206-11014	B-11
09103-06067	B-5	09128-06006	F-8		I-12	09160-25056	D-2	09168-14004	B-3	09206-13004	B-5
09103-07001	C-2	09128-06013	E-7	09140-04006	E-11	09160-25067	D-2		B-6	09206-13006	B-4
09103-08097	B-5	09128-06024	E-2	09140-06011	D-6	09161-05017	F-11		B-8	09209-05011	D-6
09103-08098	B-5	09136-06056	I-6	09140-24014	D-2		F-12	09168-16002	B-8	09209-11007	B-3
09103-08105	B-5	09136-06083	F-12	09141-20004	I-8		J-3		C-9	09247-12103	B-5
09103-08160	I-3	09138-05003	D-6		I-9		J-5	09169-06025	I-6	09247-14001	B-8
09103-08161	I-2	09139-05025	J-3	09148-04032	J-2		J-6		I-7	09247-14032	B-3
09103-08182	B-5		J-5		J-4		J-7	09169-06026	I-6	09247-14034	B-3
09103-10050	I-4		J-7		J-6		J-9	09169-06055	I-2	09248-14004	B-6
09103-10139	I-5		J-9		J-8	09161-06021	G-8	09169-06060	I-7	09248-16003	B-6
09103-14005	B-6	09139-05032	G-7	09148-05013	F-10		J-3	09169-25001	D-3	09248-16010	B-8
09106-05017	B-11		J-3	09159-06017	B-5		J-5	09180-06002	I-3	09250-06008	B-2
	F-6		J-4	09159-09001	B-10		J-6	09180-06044	F-9	09250-08012	C-8
	F-7		J-5	09159-10020	B-6		J-7	09180-06072	F-6	09250-30010	E-11
09106-06034	B-8		J-6	09159-10027	F-2		J-9		F-7	09259-20012	B-7
09106-06055	F-9		J-7	09159-10058	B-6	09161-09003	C-7	09180-06142	C-7	09261-05003	D-5
09106-06059	B-7		J-9	09159-10069	B-3	09161-10009	H-6	09180-06143	F-11	09261-05006	B-9
09106-06067	B-8	09139-06026	E-12	09159-18007	I-2		H-7		F-12	09262-20042	I-8
09106-07009	B-2	09139-06027	E-13		I-3		H-10	09180-06146	E-7		I-9
09106-07010	B-2		F-3	09159-20004	D-4		I-11	09180-06152	C-4	09262-20114	I-8
09106-08005	F-2		J-3	09160-060A6	E-6		I-12		J-2		I-9
09106-08048	I-2		J-5	09160-06006	F-2	09161-11006	B-2		J-3	09262-25051	D-3
	I-3		J-6		I-6	09161-11008	B-2		J-4	09262-25073	I-8
09106-08062	G-9		J-9		I-7	09164-00007	D-2		J-5		I-9
	I-8	09139-06028	J-3	09160-06020	E-11	09164-08015	F-3		J-6	09262-25103	D-4
	I-9		J-5	09160-06056	J-2	09164-10005	F-2		J-7	09263-15003	D-2
09106-10017	F-2		J-7		J-3		F-4		J-8	09263-17034	I-5
09106-10022	G-4		J-9		J-4	09164-24006	D-2		J-9	09263-20040	D-4
	G-5	09139-06030	F-10		J-5	09164-47001	D-2	09180-06167	C-3	09263-20049	D-3
09108-10081	B-4		G-8		J-6	09167-25013	D-3	09180-06179	E-7	09263-20071	I-2
09108-10099	B-4		J-3		J-7	09167-25019	D-4	09180-08078	F-9		I-3
09108-10108	B-4		J-5		J-8	09167-25021	D-3	09180-08124	C-9		I-4
09111-10036	F-3		J-7		J-9	09167-28001	D-4	09180-08130	G-6		I-5
09116-06097	F-6		J-9	09160-06069	F-9	09167-28008	D-4	09180-08149	F-4	09263-25024	I-2

M - 7

PART NO.	ADDRESS NO.	PART NO.	ADDRESS NO.	PART NO.	ADDRESS NO.	PART NO.	ADDRESS NO.	PART NO.	ADDRESS NO.	PART NO.	ADDRESS NO.
09263-25024	I-3	09320-09016	J-2	09401-13406	C-7	09471-12139	E-11				
09263-35017	D-2		J-3	09401-16402	C-7	09481-10101	E-12				
09263-43001	D-5		J-4	09402-43501	I-5	09481-20101	E-12				
09265-25008	G-4		J-5	09402-52208	B-3	09482-00389	B-3				
	G-5		J-6	09402-66208	C-7	09482-00391	B-3				
09265-30009	G-4		J-7	09402-70501	I-4	09491-24013	C-4				
	G-5		J-8	09404-04402	E-8	09492-40014	C-4				
09269-08002	G-6		J-9	09404-05403	E-12	09493-14002	B-5				
09269-08003	G-6	09320-09021	E-6	09404-06403	E-12	09493-24010	B-5				
09280-04004	B-5	09320-10038	F-6	09404-06404	E-12	09493-80008	B-5				
09280-12008	C-9		F-7		I-4	09494-00634	C-4				
09280-14011	B-4	09320-12031	F-10		I-5	09800-20026	F-2				
09280-15007	B-4	09320-12038	C-8	09404-06413	H-3	09800-20032	F-2				
09280-17002	B-6	09320-12056	C-8	09404-06415	E-12						
09280-17003	B-7	09320-14017	F-6	09404-10404	C-7						
09280-18009	B-8		F-7	09407-09402	F-9						
	B-9	09321-06023	E-11	09407-14403	E-5						
09280-21008	B-5	09321-08009	F-9		E-12						
09280-22016	B-9	09329-05005	E-6	09407-18402	E-12						
09280-25001	D-4	09352-50823-00A	F-7		I-5						
09280-36001	D-6	09352-50823-370	F-6	09407-22404	C-9						
09283-34005	D-4	09352-50823-600	F-7	09407-25301	C-9						
09285-06015	D-2	09352-50823-730	F-6	09407-25401	C-9						
09285-12002	D-5	09352-70103-300	F-8	09408-00002	E-12						
09285-20006	D-3	09360-08009	B-2	09409-07305	E-12						
09285-28002	I-8	09360-10017	H-6	09440-04003	D-5						
	I-9		H-7	09440-04010	D-6						
09285-34007	G-4		H-10	09440-05003	F-5						
	G-5		I-11	09440-09027	B-8						
09285-35001	I-8		I-12	09440-13014	C-2						
	I-9	09360-20002	C-9	09440-13047	F-8						
09289-05011	C-2	09380-25003	D-3	09443-06012	E-13						
09300-22005	D-3	09380-25013	D-3	09443-09031	D-5						
09300-28002	D-3	09381-10004	B-3	09443-13018	F-3						
09301-25001	D-3	09381-20004	B-10	09443-14058	F-3						
09308-07011	E-10	09381-84002	D-2	09443-19011	F-3						
09308-07013	E-10	09384-12001	D-5	09444-26017	D-5						
09319-10062	H-2	09385-08005	H-3	09448-19020	F-4						
09320-04007	J-2	09385-10005	H-2	09462-00072	F-2						
	J-4	09390-62006	D-3	09471-12045	E-10						
	J-6		D-4	09471-12058	E-11						
	J-8	09400-16302	I-11	09471-12060	E-9						
09320-08013	F-11		I-12	09471-12103	E-8						
	F-12	09401-10201	F-8	09471-12108	E-8						
09320-08048	F-9	09401-10402	F-8	09471-12128	E-11						